

Sensor-switched LED floodlight - Professional Line

XLED PRO 240 S

V2 Neutral white white
EAN 4007841 068370
Article number 068370



LED

30 years (Ø 4,5h / day)

4000 K

4000K neutral white



infrared sensor 240°



max. 12 m



IP44



2 - 2000 lux



10 sec - 15 min



networkable via cable



energy saving

5 years

manufacturer's warranty
[steinell-professional.de/garantie](https://www.steinell.de/garantie)

Function description

Day-bright illumination throughout: the XLED PRO 240 S sensor-switched outdoor floodlight. With fully swivelling LED flat panel and opal diffuser. 2407 lm, 4000 K, 19,3 W. With a 240° infrared sensor for reliable motion detection over a reach of up to 12 m.

XLED PRO 240 S

V2 Neutral white white
 EAN 4007841 068370
 Article number 068370

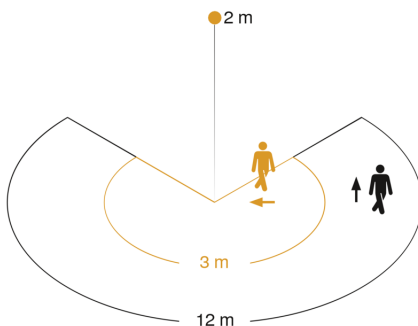


Technical specifications

Dimensions (L x W x H)	161 x 180 x 221 mm
Mains power supply	220 – 240 V / 50 – 60 Hz
Sensor Technology	passive infrared
Output	19,3 W
Interconnection	Yes
Interconnection, number	maximum of 10 floodlights
Vernetzung via: Connect Bluetooth Mesh	Cable
Lichtstrom Gesamtprodukt	2407 lm
Gesamtprodukt Effizienz	125 lm/W
Colour temperature	4000 K
With lamp	Yes, STEINEL LED system
Lamp	LED cannot be replaced
LED life expectancy (25 °C)	> 60000 h
Base	without
LED cooling system	HCMC (High Conductive Magnesium Composite)
With motion detector	Yes
Detection angle	240 °
Angle of aperture	180 °
Capability of masking out individual segments	Yes
Electronic scalability	No
Mechanical scalability	No

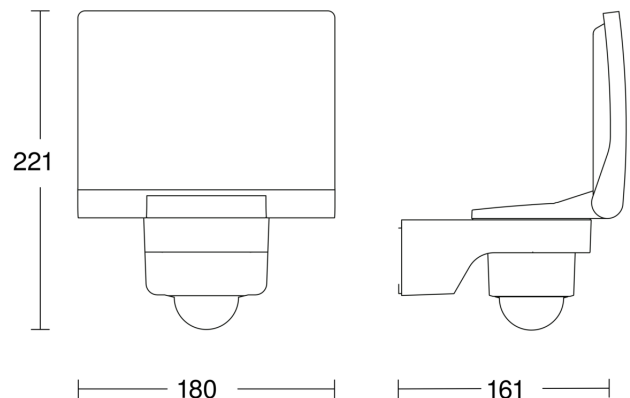
Reach, radial	r = 3 m (19 m ²)
Reach, tangential	r = 12 m (302 m ²)
Continuous light	selectable
Photo-cell controller	Yes
Twilight setting	2 – 2000 lx
Time setting	10 s – 15 Min.
Basic light level function	No
Main light adjustable	No
Soft light start	No
Impact resistance	IK03
IP-rating	IP44
Protection class	II
Ambient temperature	-20 – 40 °C
Housing material	HCMC
Cover material	Plastic, opal
Manufacturer's Warranty	5 years
Einstellungen via: Connect Bluetooth Mesh	Potentiometers
Installation site	wall, corner
Cover material	shrouds
Version	Neutral white white
PU1, EAN	4007841068370

Detection Zone



Mögliche Montagehöhe: 1,80 m – 6,00 m
 Orange: radial
 Schwarz: tangential

Dimension Drawing

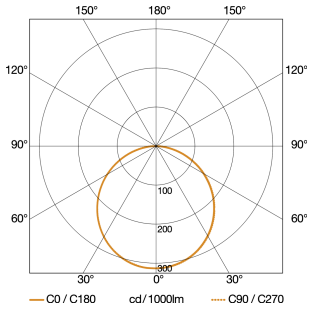


XLED PRO 240 S

V2 Neutral white white
 EAN 4007841 068370
 Article number 068370

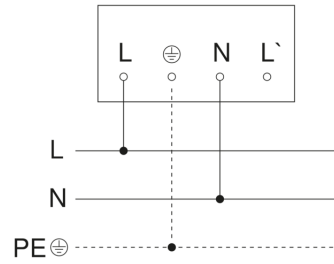


Light Distribution Curve

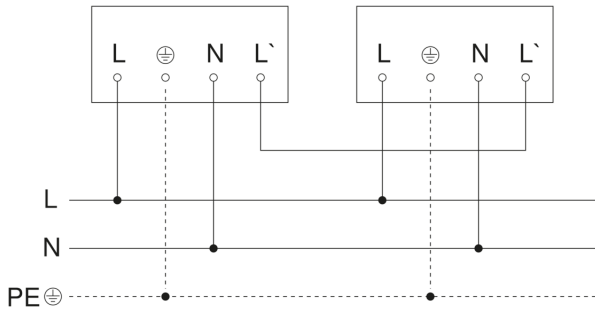


Output 19,3 W
 With lamp Yes, STEINEL LED system
 Lamp LED cannot be replaced
 Luminous flux 2407 lm
 Colour temperature 4000 K
 LED cooling system HCMC (High Conductive Magnesium Composite)

Master circuit diagram



Master/master interconnection circuit diagram



Master/slave interconnection circuit diagram

