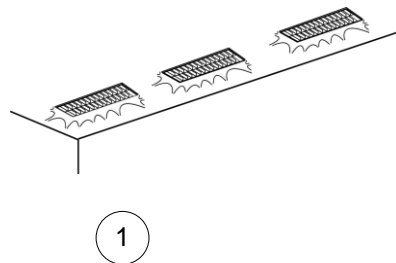
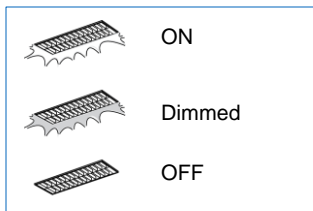
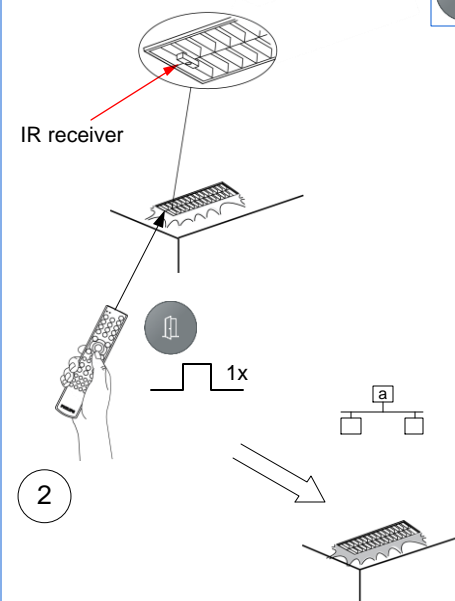


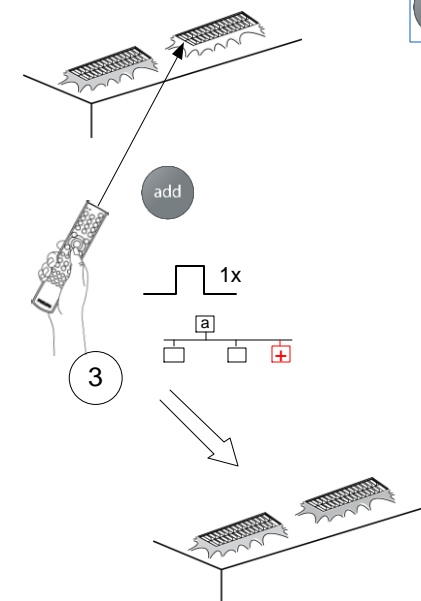
Quick Start Guide Green Parking



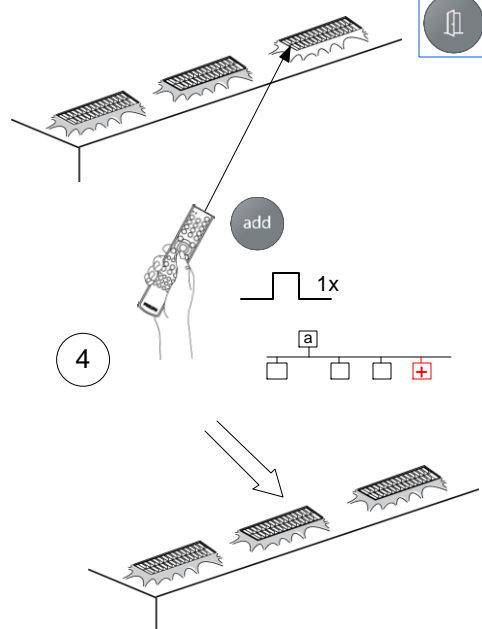
Factory default: all lights ON



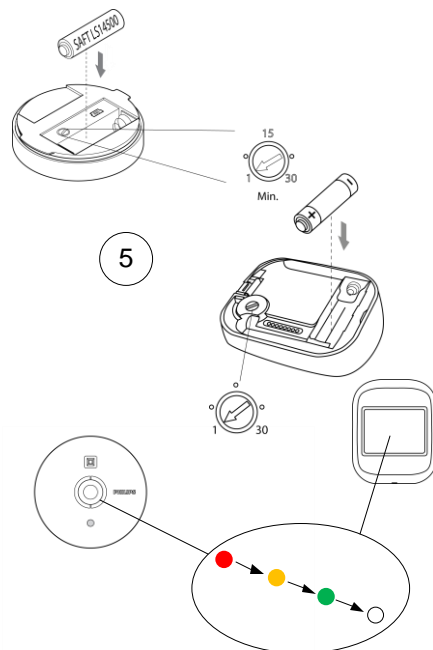
Open network



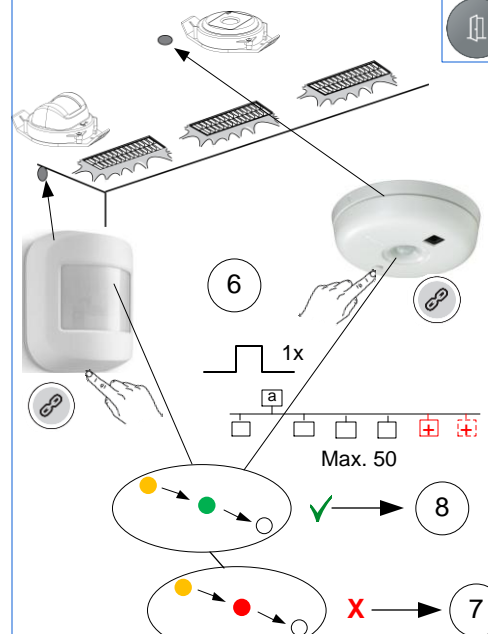
Add to network



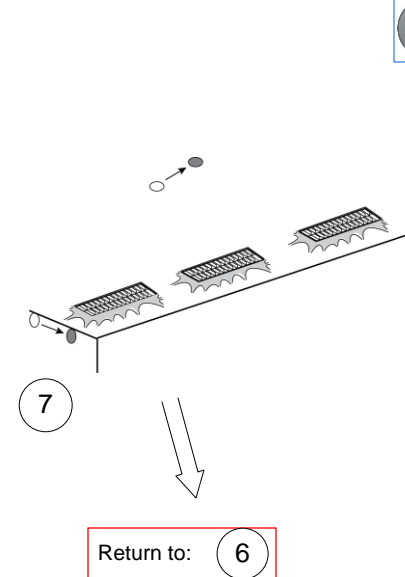
Add to network



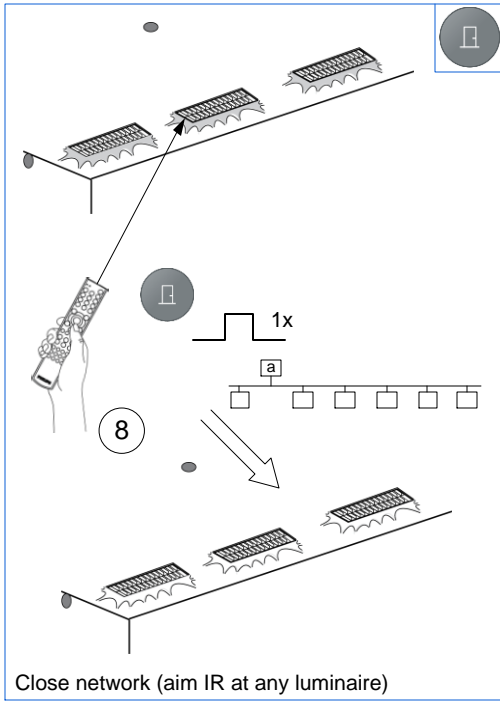
Set timer, place battery and power-up sequence



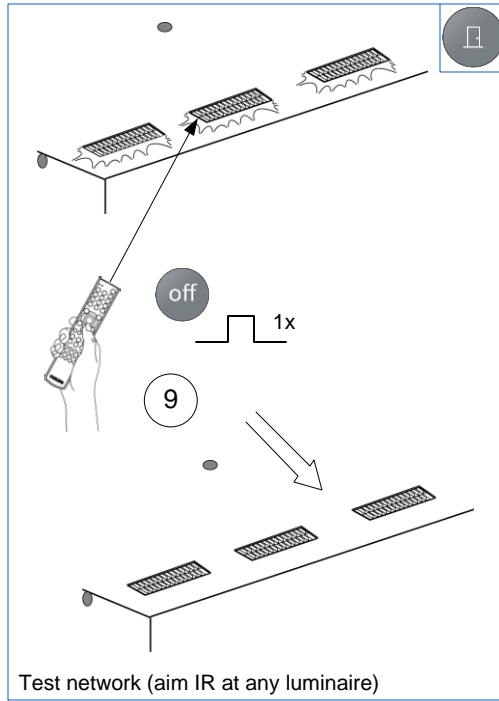
Add to network while holding sensor in position



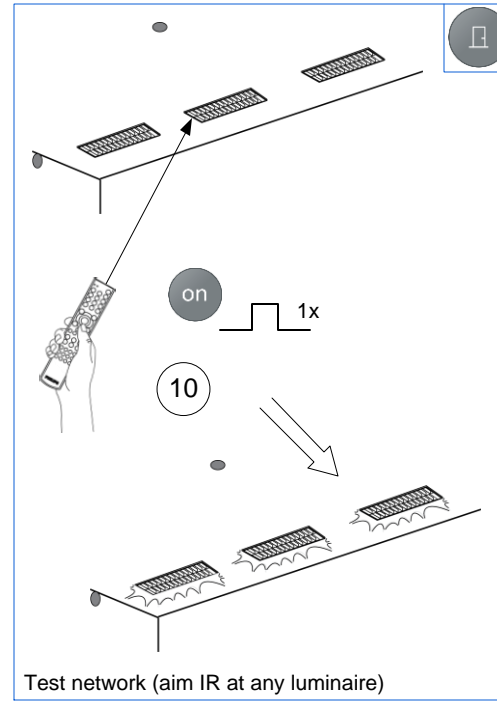
Reposition sensor(s)



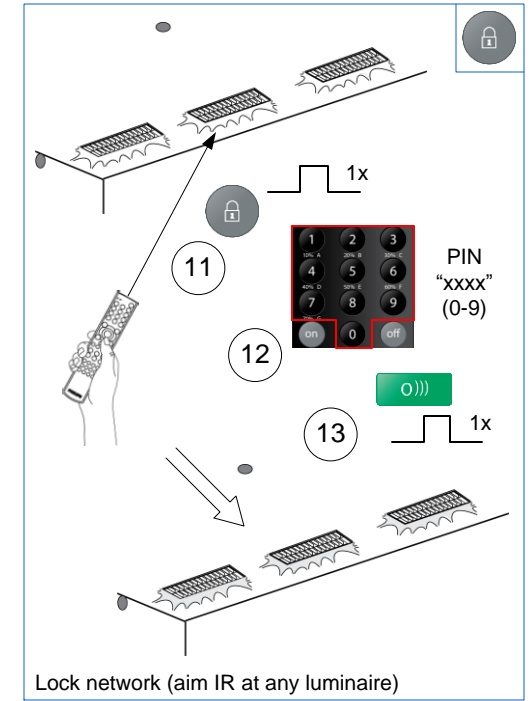
Close network (aim IR at any luminaire)



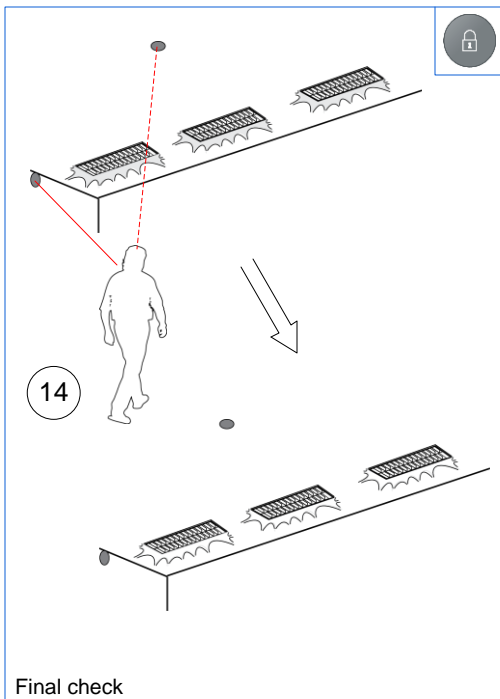
Test network (aim IR at any luminaire)



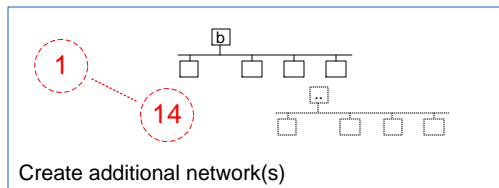
Test network (aim IR at any luminaire)



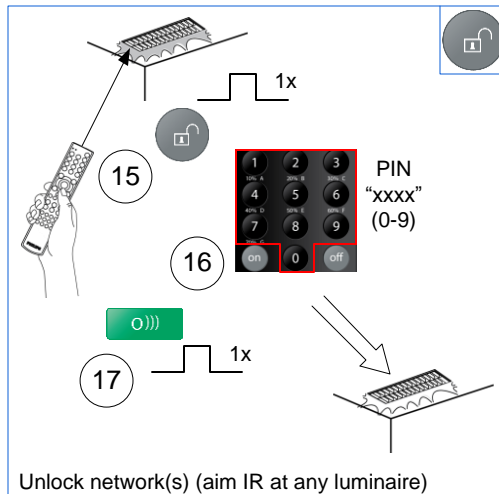
Lock network (aim IR at any luminaire)



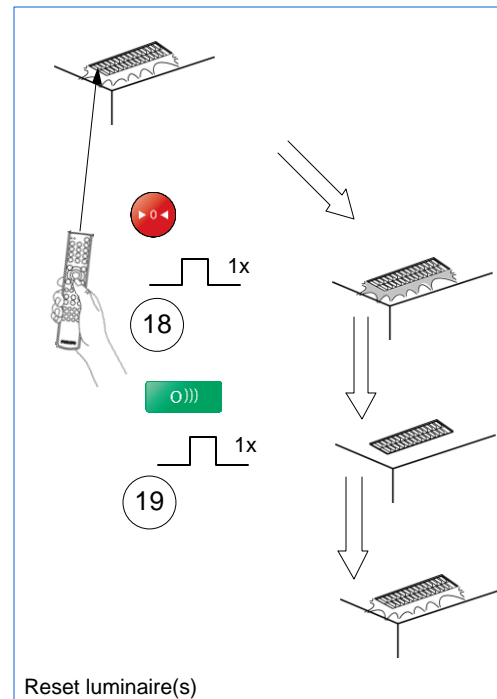
Final check



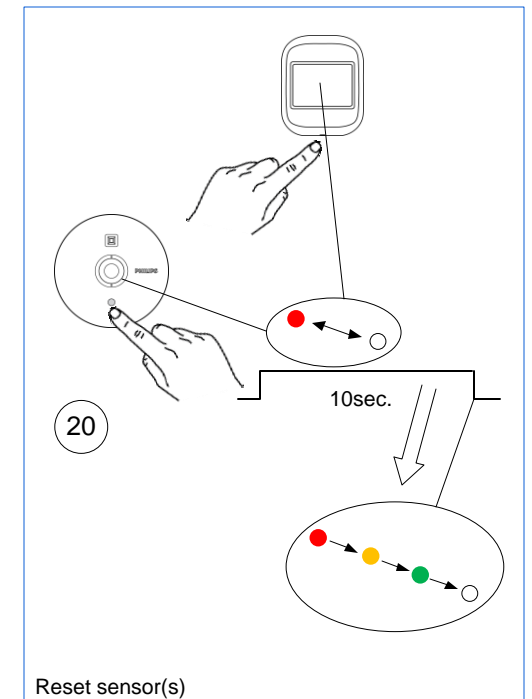
Create additional network(s)



Unlock network(s) (aim IR at any luminaire)



Reset luminaire(s)



Reset sensor(s)