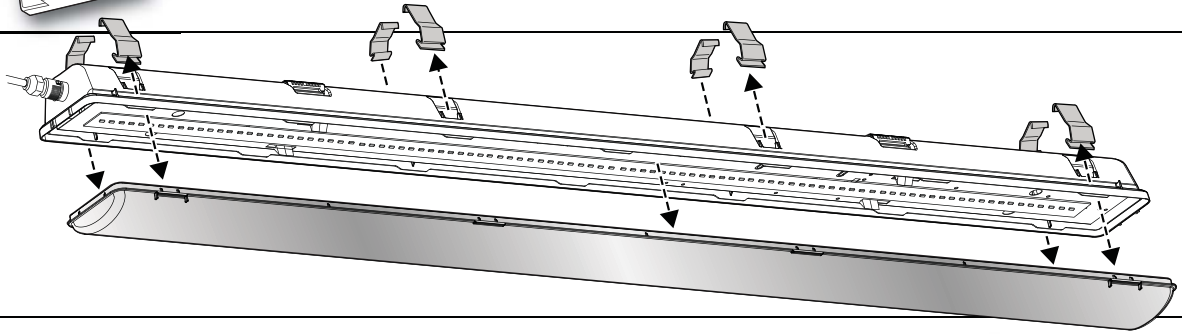


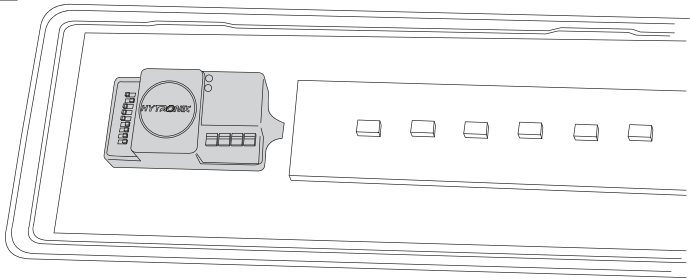
0047999 0048648-49  
 0048005 0048655-56  
 0048714 0048663-64  
 0048615-16 0048670-71  
 0048626-27



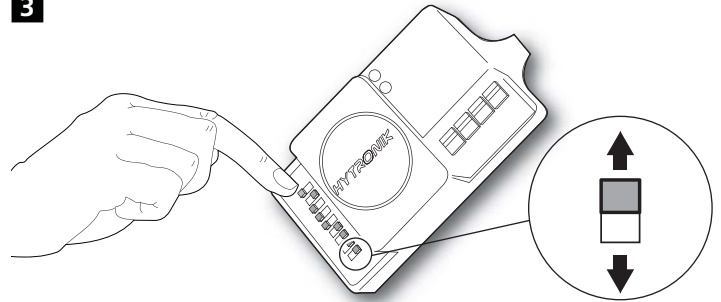
**1**



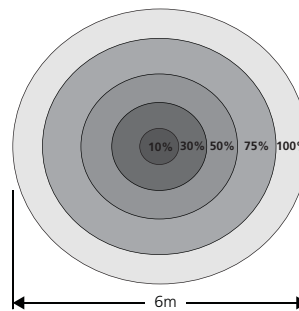
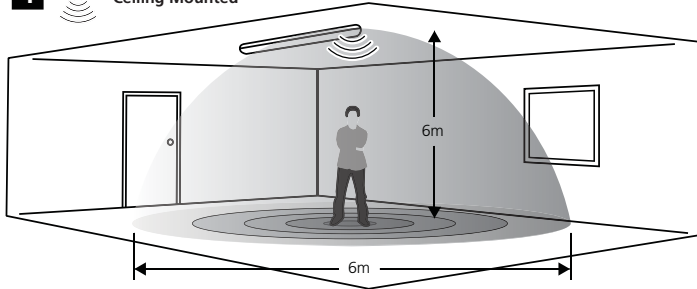
**2** Hytronik Microwave Sensor



**3**



**4** Ceiling Mounted

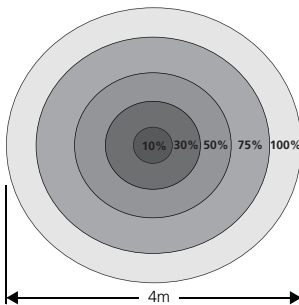
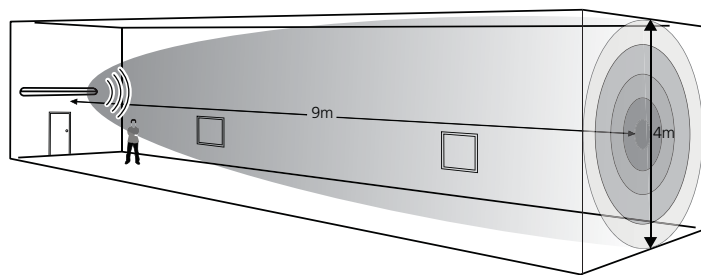


**5** Detection Area

0047999 0048648-49  
 0048005 0048655-56  
 0048615-16 0048663-64  
 0048626-27 0048670-71

	1	2	3	
I	●	●	●	100%
II	○	●	●	75%
III	○	●	○	50%
IV	○	○	●	30%
V	○	○	○	10%

**4** Wall Mounted

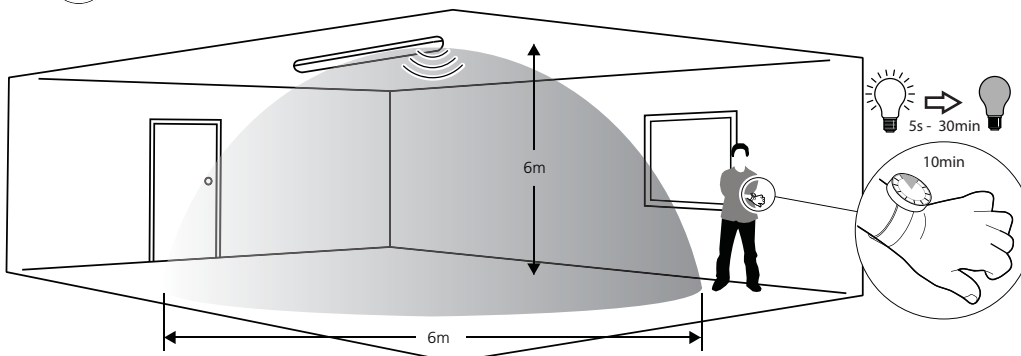


**5** Detection Area

0047999 0048648-49  
 0048005 0048655-56  
 0048615-16 0048663-64  
 0048626-27 0048670-71

	1	2	3	
I	●	●	●	100%
II	○	●	●	75%
III	○	●	○	50%
IV	○	○	●	30%
V	○	○	○	10%

**6** Ceiling Mounted + Wall Mounted



**7** Hold Time

0047999 0048648-49  
 0048005 0048655-56  
 0048615-16 0048663-64  
 0048626-27 0048670-71

	1	2	3	
I	●	●	●	5s
II	●	○	●	30s
III	●	○	○	1min
IV	○	●	●	5min
V	○	●	○	10min
VI	○	○	●	20min
VII	○	○	○	30min