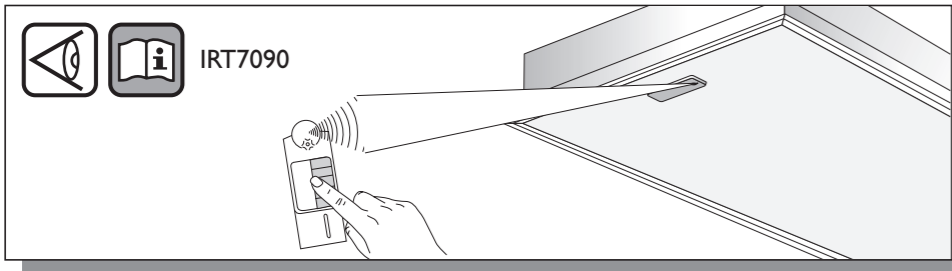
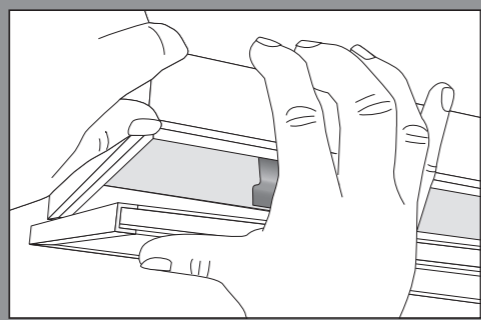
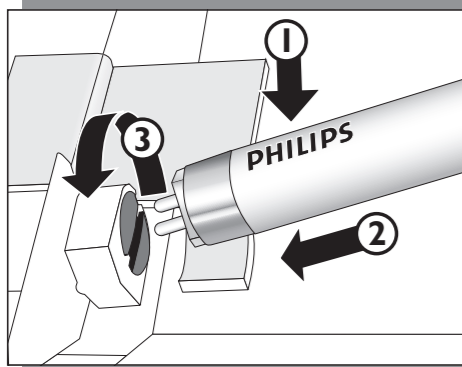
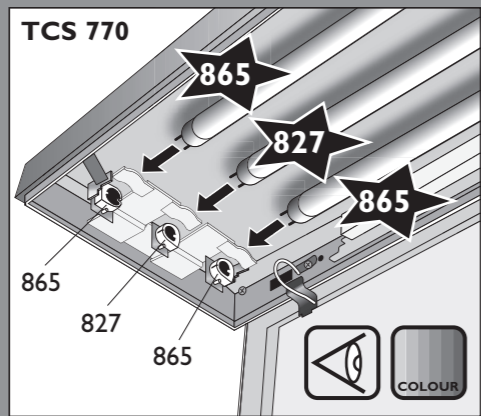
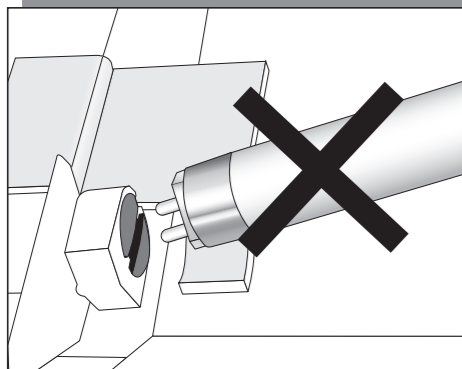
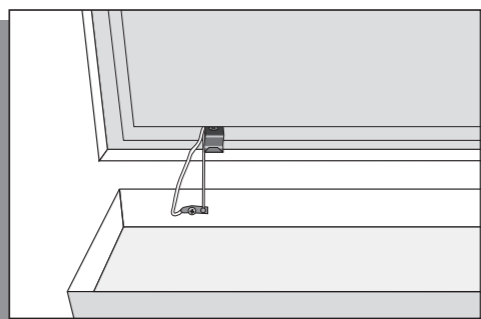
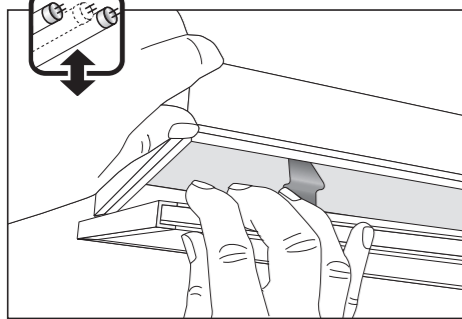


## TCS 770 CVC



4422 001 95923  
05/06  
Printed in the Netherlands  
Data subject to change

### Service



## SAVIO Lighting Technology

### Pure light

Savio's rimless light panel has a homogeneous edge-to-edge lighting appearance with uniform and comfortable brightness impression – a real 'surface of light'. Colour mixing is done with extremely precise optics inside to assure a homogeneous light-colour (tonality) all over the 'surface of light'. In combination with the micro-lens optic the appearance of the light is very natural.

### Maintenance instructions

Given the choices made in this unique lighting concept, there are a few instructions regarding the maintenance of this luminaire to assure the lighting qualities:

#### Savio without colour variation:

- During installation or maintaining the luminaire please use gloves to avoid spots on the cover.
- Dirty spots can be removed:
  - Only dust: with micro fiber cloth
  - Fingerprints, etc.: with a cleaner for synthetic material with antistatic effect.
- Always ensure that in square luminaire configuration the lamp-positions are in the planned direction.
- In case of re-lamping, please carefully follow instructions in the luminaire, and place all lamps in one direction in case of the cold spot (the branded side).
- Remove the protection foil on the cover only short before usage of the lighting installation.

#### Savio with colour variation:

- After installation, the luminaire needs to burn-in 100 hours to reach its stable colour- and flux-performance.
- It's not recommended to use other lamps than the original Philips lamps.
- At the moment of replacement of lamps or group-replacement it's highly recommended to renew all lamps in the luminaire.

### More information about Savio Lighting

[www.savio.philips.com](http://www.savio.philips.com)  
[www.dynamiclighting.philips.com](http://www.dynamiclighting.philips.com)

# PHILIPS

## SAVIO TCS 760/770

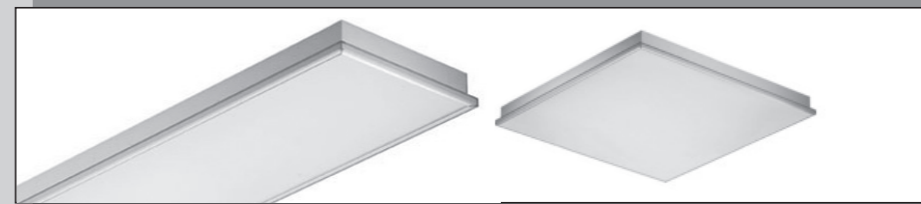
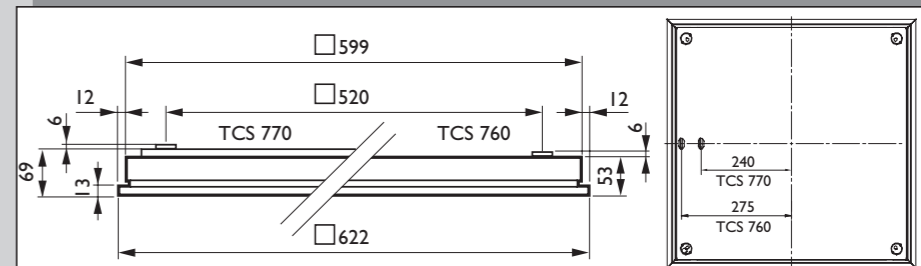
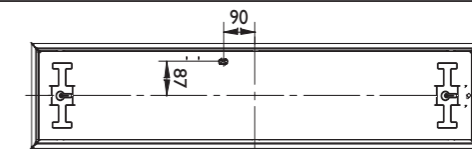
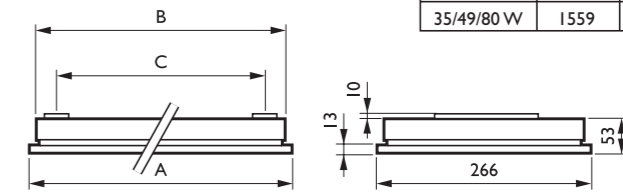
### Installation instructions

Instructions de montage / Montageanleitung / Montage instruktie / Istruzioni di montaggio / Instrucciones de montaje / Instruções de montagem / Monteringsinstruktioner / Monteringsvejledning / Kokoonpano- ja kiinnitysohjeet / Montage yönergisi / Οδηγίες συναρμολόγησης / Instrukcja montażu / Szerelési utasítások / Návod k montáži / ИНСТРУКЦИЯ ПО МОНТАЖУ / Návod k montáži

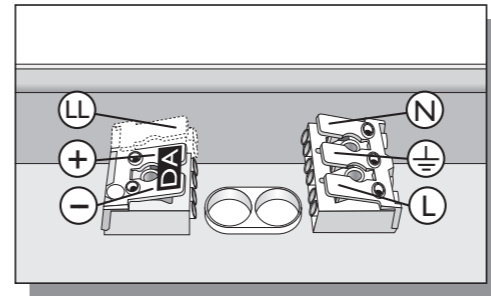
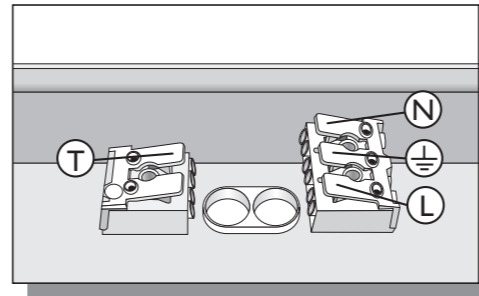
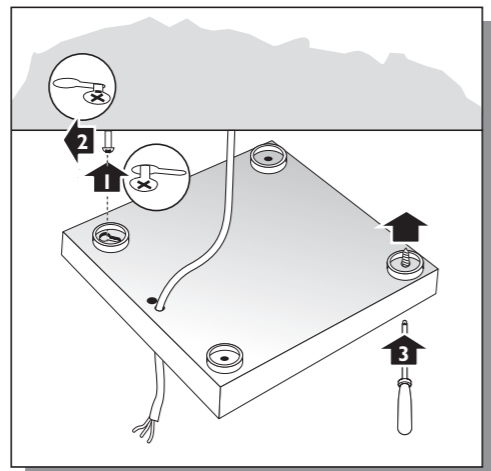
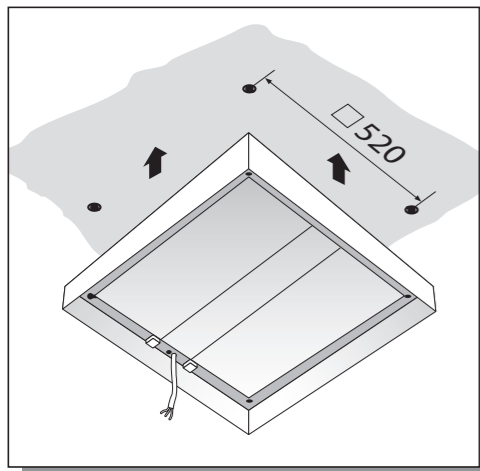
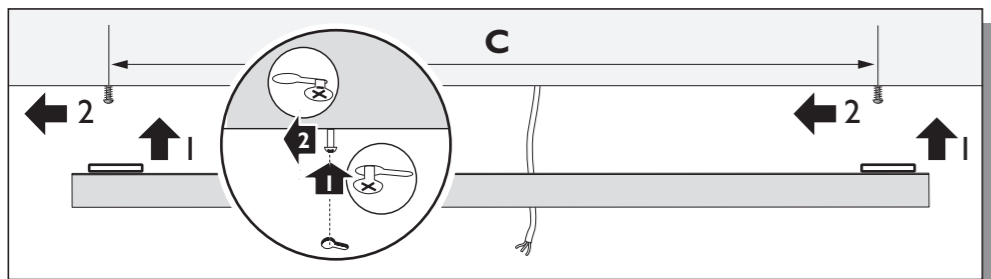
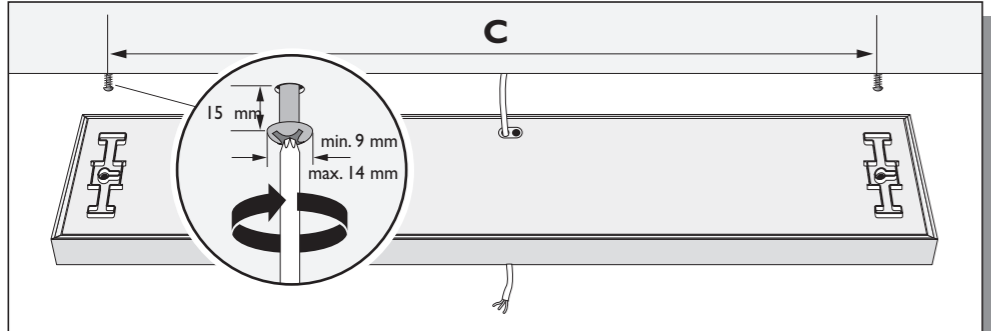
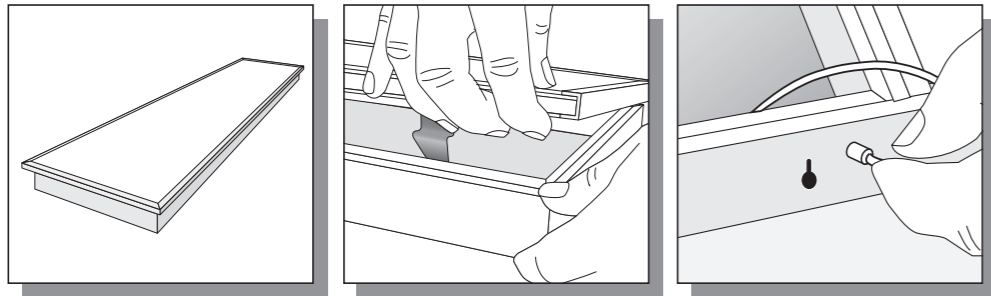
### IP 40

This luminaire must be earthed.  
Ce luminaire doit être mis à la terre.  
Diese Leuchte muß geerdet werden.  
Dit armatuur moet worden geaard.  
Questa armatura deve essere collegata a terra.

	A	B	C
	mm	mm	mm
28/54 W	1259	1236	1050
35/49/80 W	1559	1536	1350



# PHILIPS



**LF - LE**

