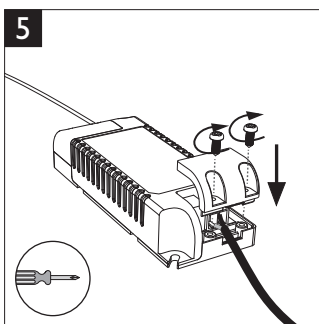
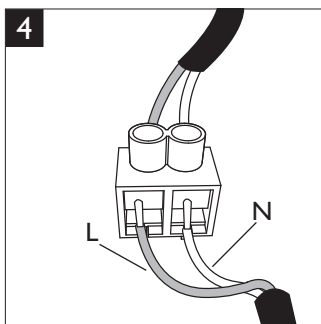
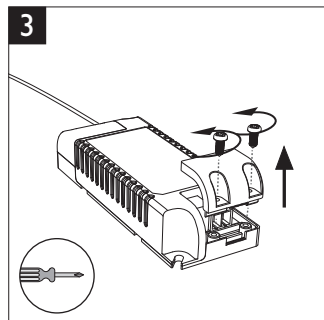
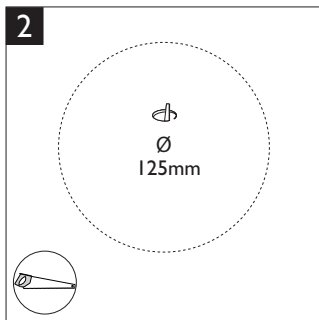
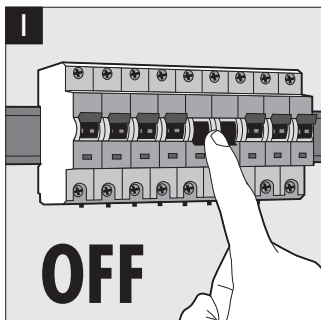
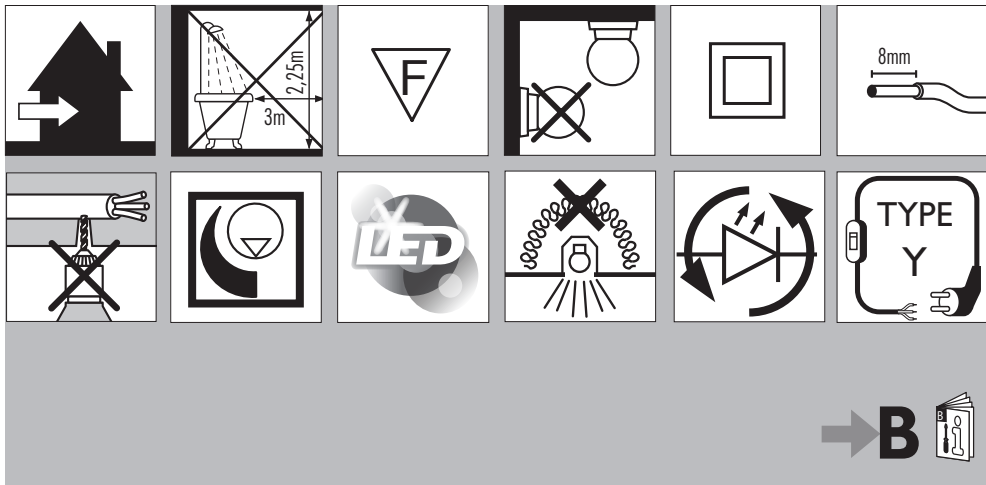


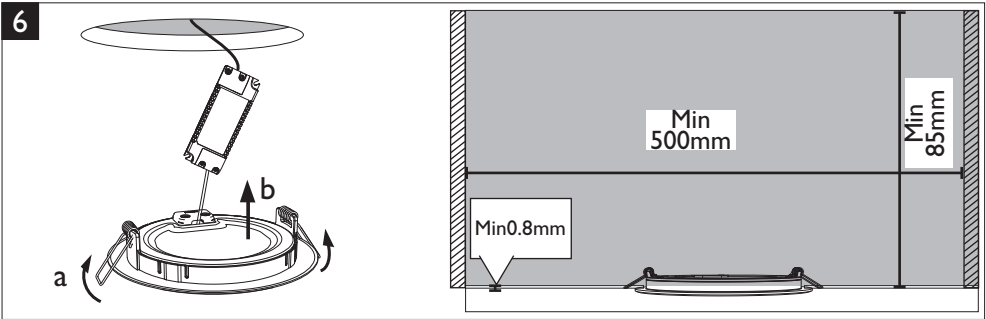


PHILIPS






Philips Lighting Contact Centre
Int. Business Reply Service
I.B.R.S. / C.C.R.I. Numéro 10461
5600 VB Eindhoven
Pays-Bas / The Netherlands
4404.029.07671
Last update: 03/20/17



PHILIPS



10

Off	→	On 100%		x1
Off	→	On 40%		x2  <10 sec.
Off	→	On 10%		x3  <10 sec.

! Once the different brightness of downlights occurred due to frequent switching among light levels, please switch off the downlights for at least 10 seconds and turn on, all downlights will come back to 100% brightness.