

AXOR Urquiola Grab bar

Surfaces: **Chrome** Article Number: **42430000**



Description

product features

- drilling distance 280 x 170 mm
- material: brass
- wall-mounted
- length 320 mm
- TÜV certified
- TÜV Cert B18 02 14237 105

Certificates



Product image



Scale drawing



AXOR Urquiola

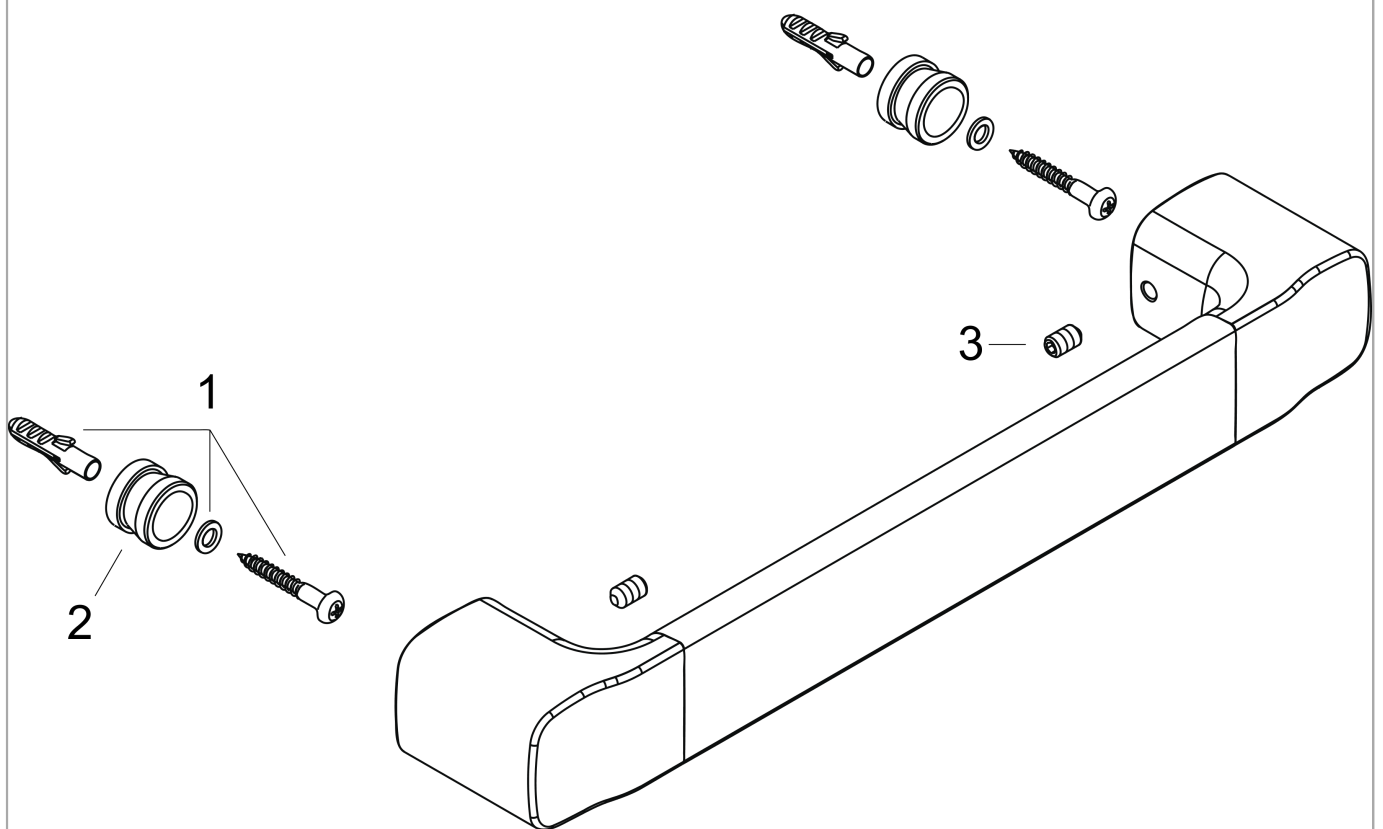
Grab bar

Surfaces: **Chrome** Article Number: **42430000**



Exploded Drawing

Year of production: >04/09



AXOR Urquiola

Grab bar

Surfaces: **Chrome** Article Number: **42430000**



Spare part list

Year of production: >04/09

Pos.	Description	Article Number	PC	PU
1	mounting set	96179000	4	1
2	support element	97597000	3	1
3	hollow set screw M6x10 DIN 916	96029000	1	1