

# Zadora MASTER LEDspot MV

Version date 13-08-2013  
www.lighting.philips.com

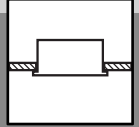
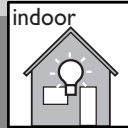
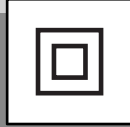
## Installation instructions

Instructions de montage  
Montageanleitung  
Montage instructie  
Istruzioni di montaggio

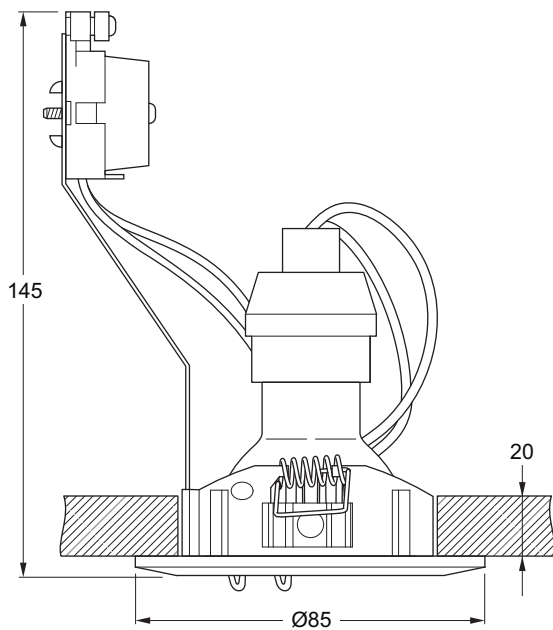
Instrucciones de montaje  
Instruções de montagem  
Monteringsinstruktioner  
Monteringsvejledning

Kokoonpano- ja kiinnitysohjeet  
Montaj yönergeleri  
Οδηγίες συναρμολόγησης  
Instrukcja montażu

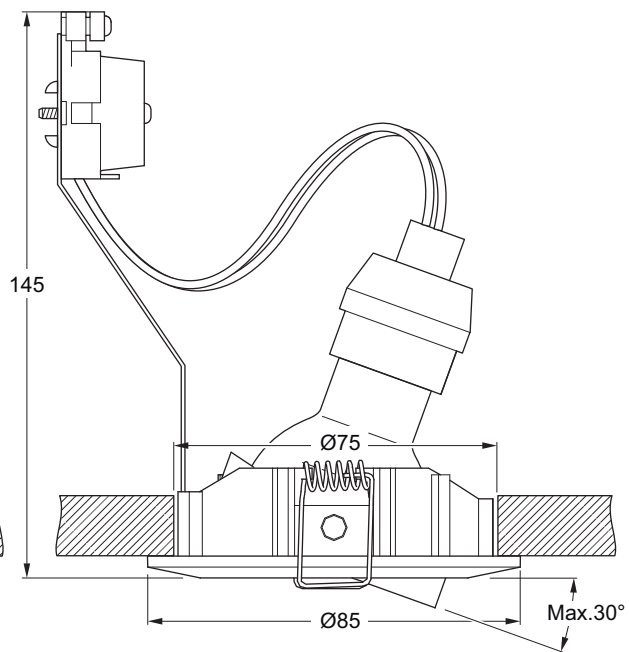
Szerelési utasítások  
Návod k montáži  
ИНСТРУКЦИЯ ПО МОНТАЖУ  
Návod k montáži



		V	P(W)		
				Ø mm	kg
BBG462 Fixed	MASTER LEDspot GU10	230V	6	64	0.52
BBG463 Adjustable				75	0.55



BBG462



BBG463

- The external flexible cable of this luminaire cannot be replaced; if the cord is damaged, the luminaire shall be discarded.
- For complete and updated list of advised dimmers, please check the Zadora page on the Philips Lighting eCatalog: <http://www.ecat.lighting.philips.com>

# PHILIPS

