

PuraVida

Toothbrush tumbler

Surfaces: **Chrome** Article Number: **41504000**

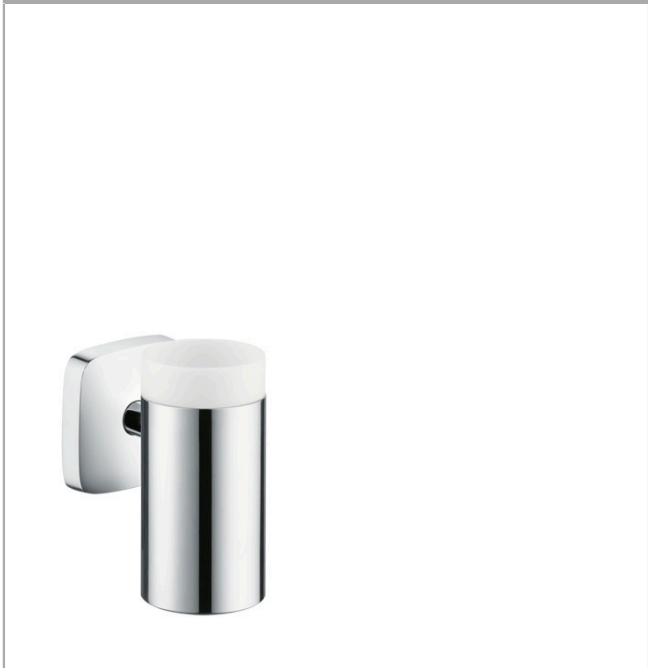


Description

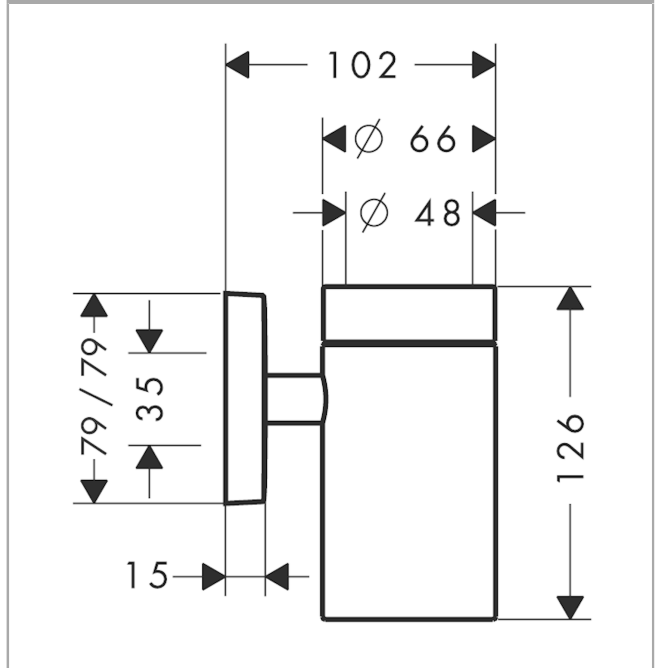
product features

- material: brass, ceramic
- wall-mounted
- material holder: metal

Product image



Scale drawing



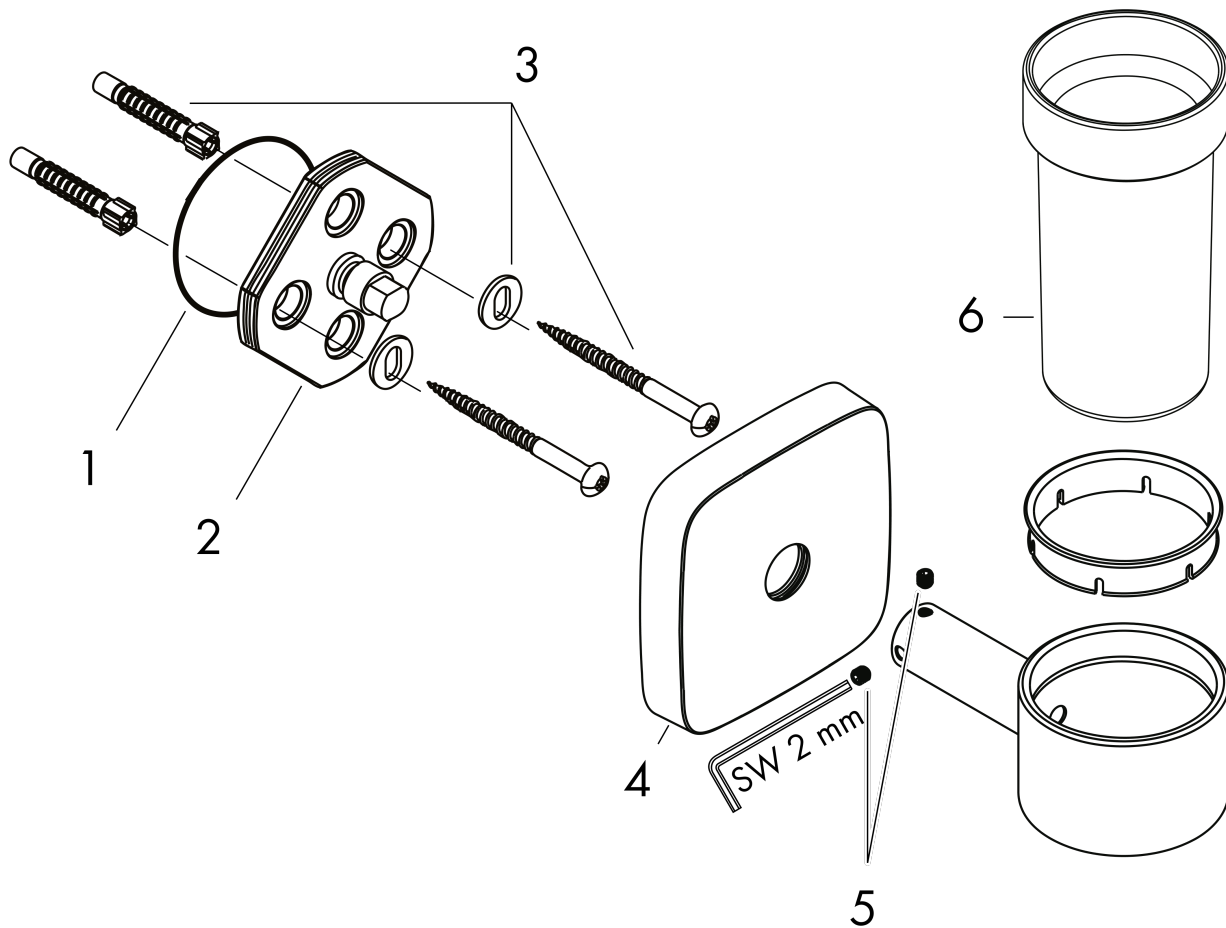
**PuraVida
Toothbrush tumbler**

Surfaces: **Chrome** Article Number: **41504000**



Exploded Drawing

Year of production: >07/09



PuraVida
Toothbrush tumbler
 Surfaces: **Chrome** Article Number: **41504000**



Spare part list

Year of production: >07/09

Pos.	Description	Article Number	PC	PU
1	O-ring 45x2,5	98432000	1	1
2	support element	98539000	8	1
3	mounting set	96179000	4	1
4	escutcheon	95374000	9	1
5	hollow set screw M4x4	98540000	1	1
6	tumbler on its own	98545000	12	1