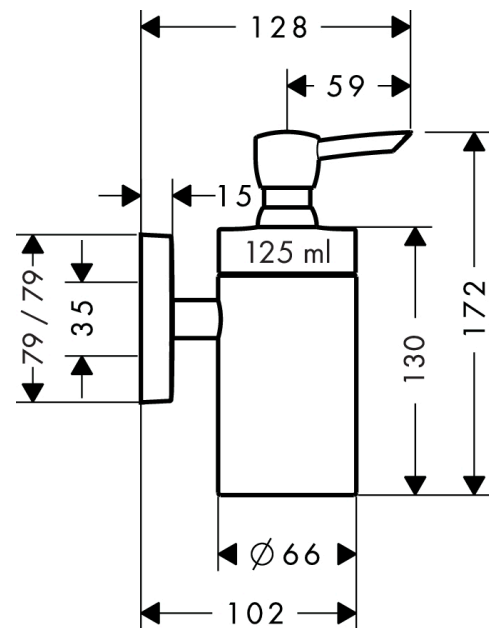


PuraVida**Liquid soap dispenser**Surfaces: **Chrome** Article Number: **41503000****Description****product features**

- wall-mounted
- material: brass, ceramic
- filling capacity 125 ml
- dosage 1.5 ml
- material holder: metal

Product image**Scale drawing**

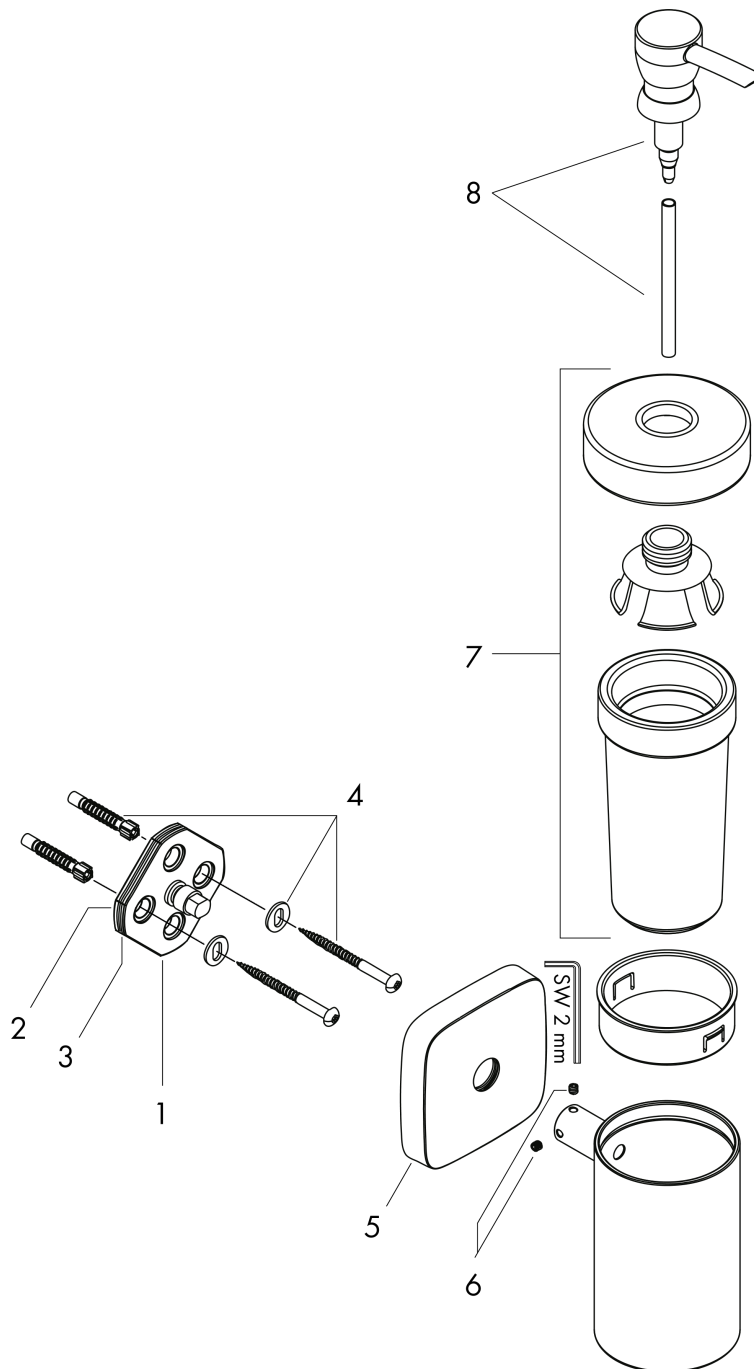
PuraVida
Liquid soap dispenser

Surfaces: **Chrome** Article Number: **41503000**



Exploded Drawing

Year of production: >07/09



PuraVida

Liquid soap dispenser

Surfaces: **Chrome** Article Number: **41503000**



Spare part list

Year of production: >07/09

Pos.	Description	Article Number	PC	PU
1	support element	98539000	8	1
2	O-ring 45x2,5	98432000	1	1
3	O-Ring 50x2,5	95512000	1	1
4	mounting set	96179000	4	1
5	escutcheon	95374000	9	1
6	hollow set screw M4x4	98540000	1	1
7	glass for lotion dispenser	98543000	13	1
8	pump	96306000	6	1