

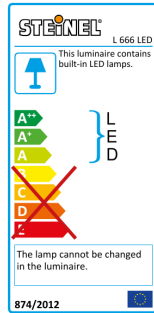
Sensor-switched outdoor light

L 666 LED

V2 Anthracite

EAN 4007841 053116

STEINEL[®]
PROFESSIONAL



LED



30 years (Ø 4,5h / day)

3000K warm-white

infrared sensor 360°

max. 7 m

IP44

2 - 1000 lux

5 sec - 15 min

soft light start

10% basic brightness

manual override

Function description

Intelligent guide. Designer sensor-switched outdoor light L 666 LED, ideal for building walls and entrance areas, perfect addition to the L 665 LED, 9 W STEINEL LED light system, 360° angle of coverage, reach up to 7 m, basic light-level function, soft light start, includes sheet of house numbers.

Technical specifications

Dimensions (L x W x H)	122 x 102 x 269 mm
Mains power supply	220 – 240 V / 50 – 60 Hz
Mounting height max.	2,50 m
Sensor Technology	passive infrared
Output	9 W
Interconnection	Yes
Luminous flux	595 lm
Efficiency	66 lm/W
Colour temperature	3000 K
Colour Rendering Index CRI	80-89
With lamp	Yes, STEINEL LED system
Lamp	LED cannot be replaced
LED life expectancy (max. °C)	50000 h
Base	without
LED cooling system	Passive Thermo Control
With motion detector	Yes
Detection angle	360 °
Sneak-by guard	Yes
Capability of masking out individual segments	Yes
Electronic scalability	No

Mechanical scalability	No
Reach, radial	r = 2 m (13 m ²)
Photo-cell controller	Yes
Twilight setting	2 – 2000 lx
Time setting	5 s – 15 Min.
Basic light level function	Yes
Basic light level function time	10/30 min, all night
Soft light start	Yes
Continuous light	selectable, 4h
Impact resistance	IK07
IP-rating	IP44
Protection class	I
Ambient temperature	-20 – 50 °C
Housing material	Aluminium
Cover material	Plastic, opal
Manufacturer's Warranty	5 years
Settings via	Potentiometers
With remote control	No
Version	Anthracite
PU1, EAN	4007841053116

<https://www.steinell.de>

Sensor-switched outdoor light

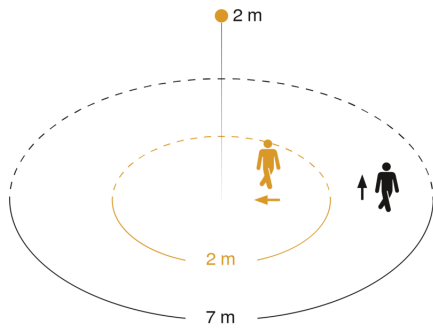
L 666 LED

V2 Anthracite

EAN 4007841 053116

STEINEL[®]
PROFESSIONAL

Detection Zone

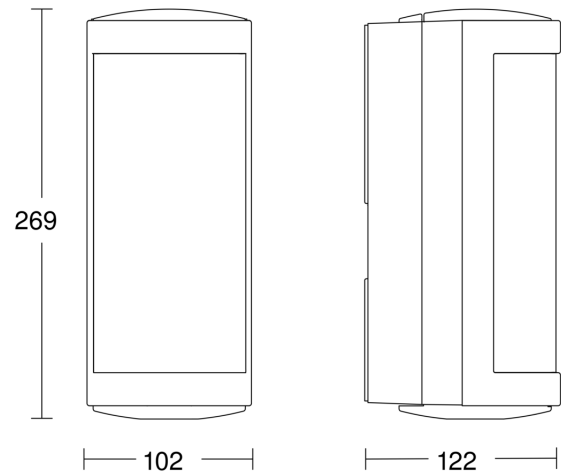


Mögliche Montagehöhe: 1,80 m – 2,50 m

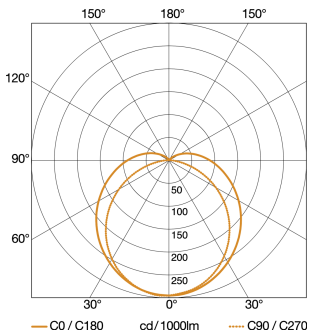
Orange: radial

Schwarz: tangential

Dimension Drawing

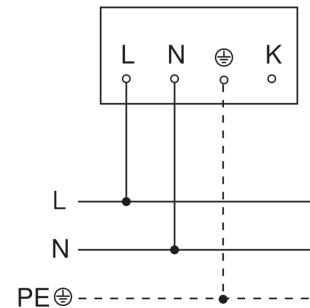


Light Distribution Curve



Output	9 W
With lamp	Yes, STEINEL LED system
Lamp	LED cannot be replaced
Luminous flux	595 lm
Colour temperature	3000 K
Colour Rendering Index CRI	80-89
LED life expectancy (max. °C)	50000 h
LED cooling system	Passive Thermo Control

Master circuit diagram



Sensor-switched outdoor light

L 666 LED

V2 Anthracite

EAN 4007841 053116



Master/master interconnection circuit diagram

