



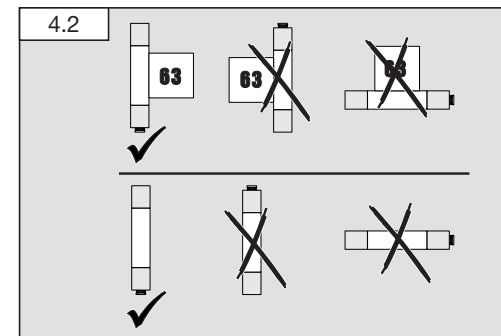
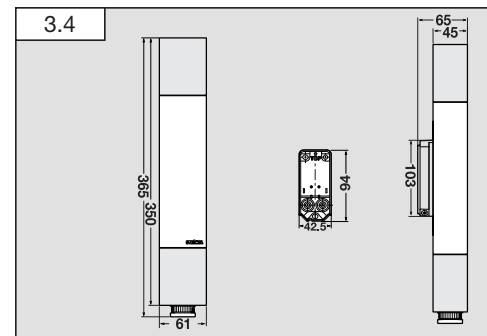
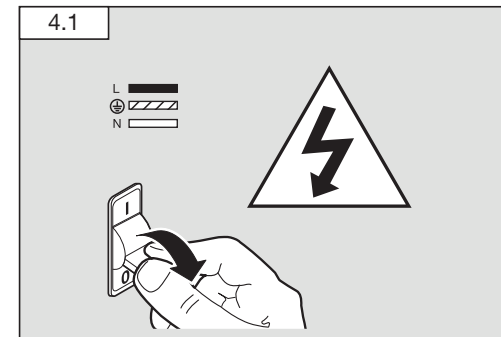
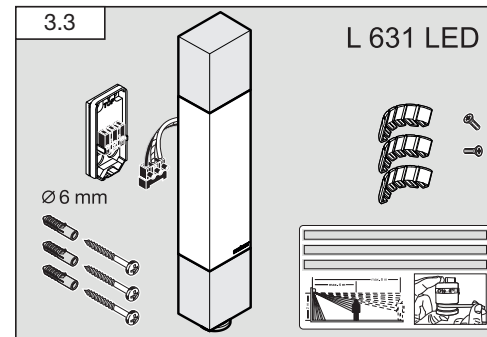
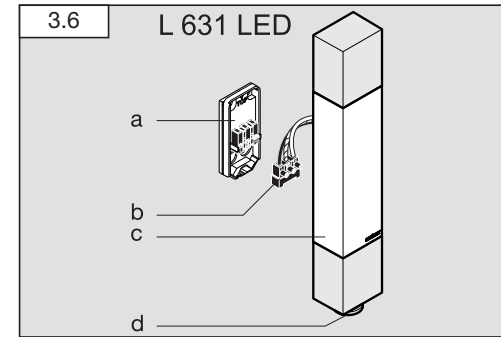
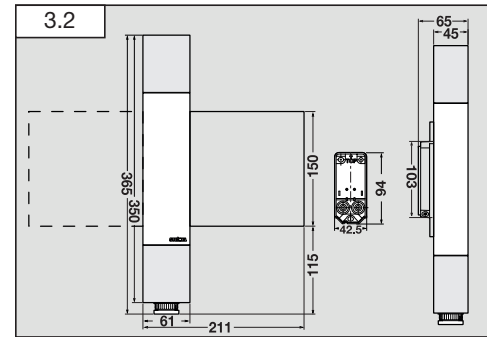
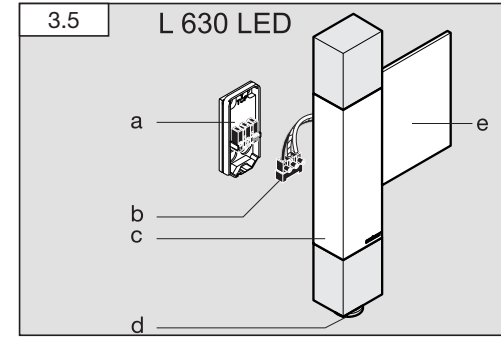
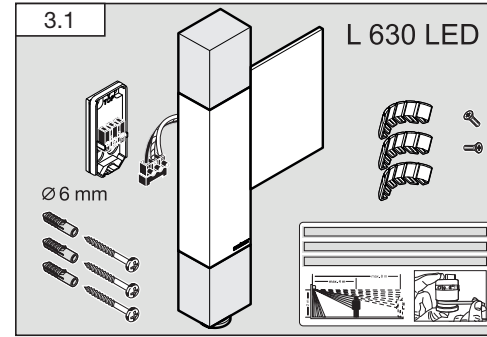
FI Oy Hedtec Ab
Lauttasaarentie 50
FI-00200 Helsinki
Tel.: +358/207 638 000
Fax: +358/9/673 813
lighting@hedtec.fi · www.hedtec.fi/valaistus

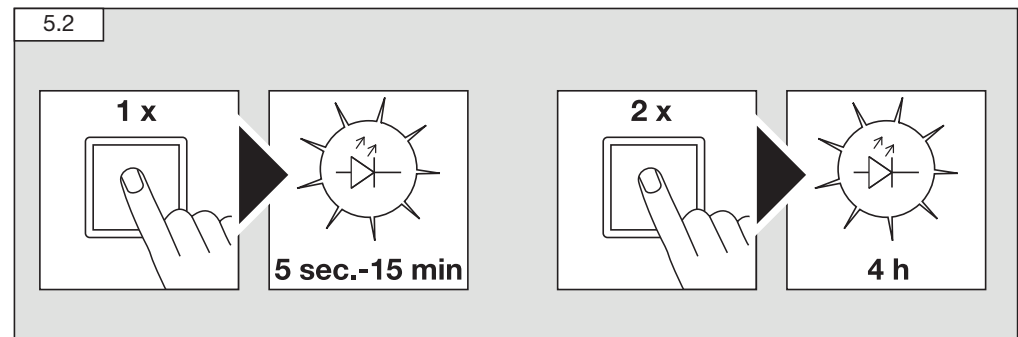
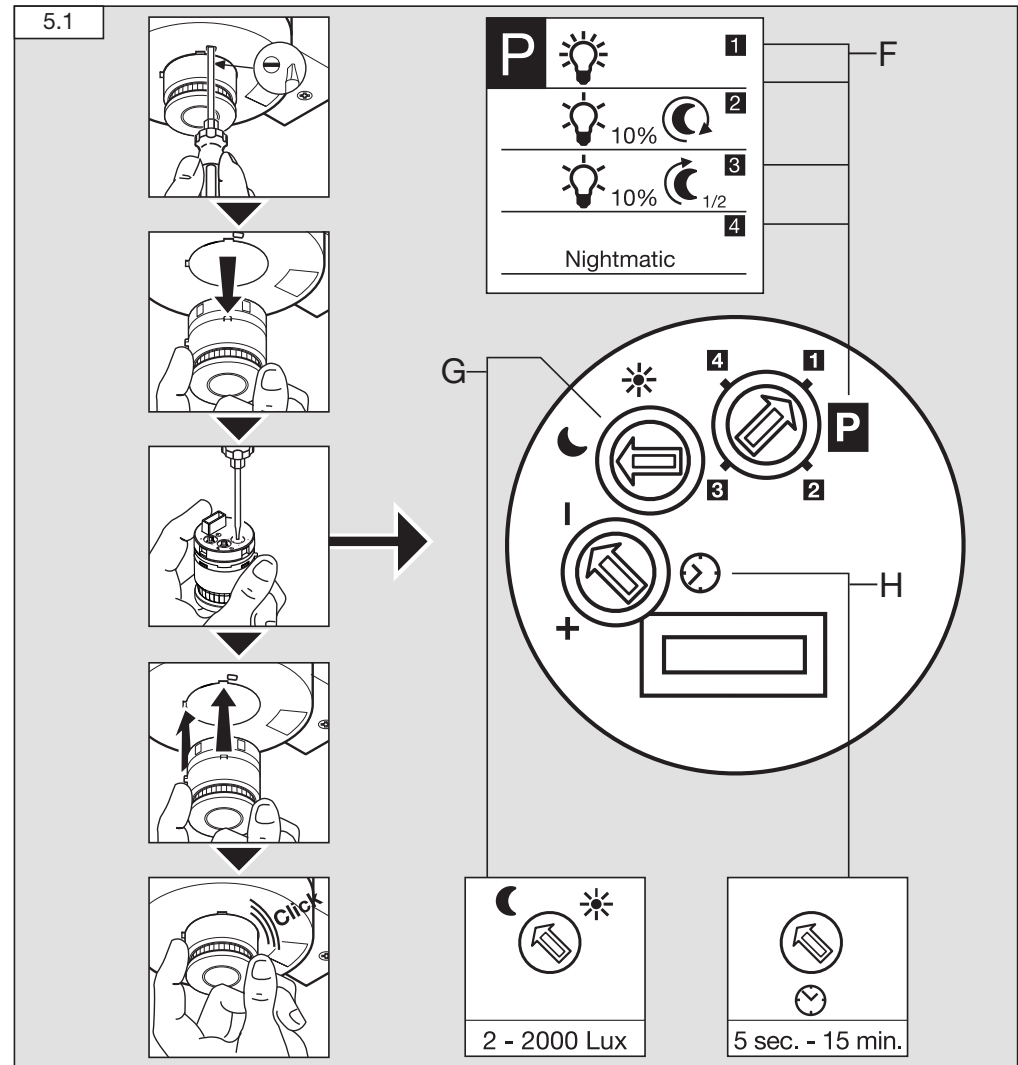
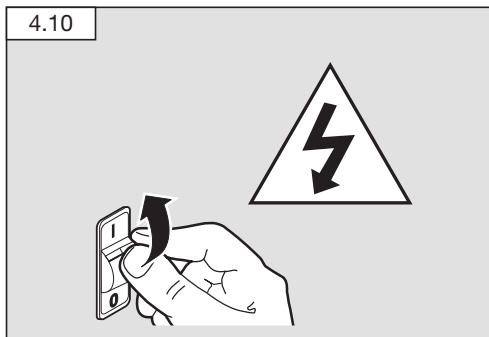
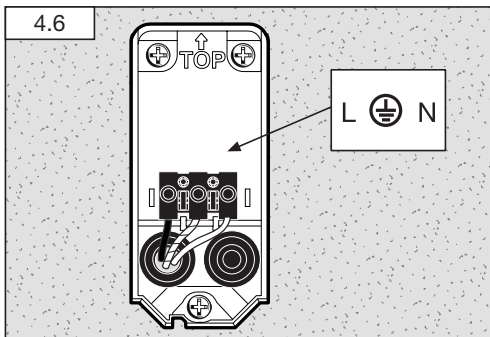
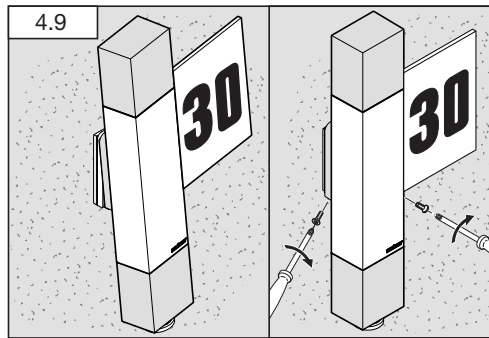
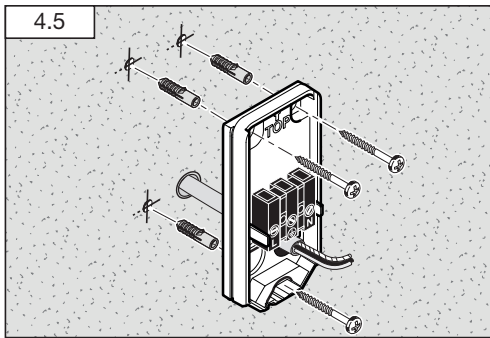
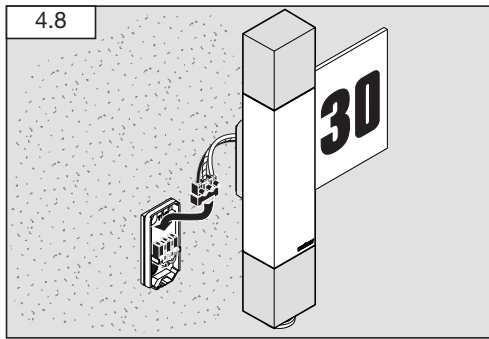
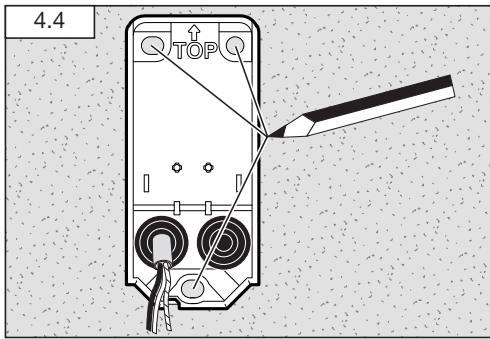
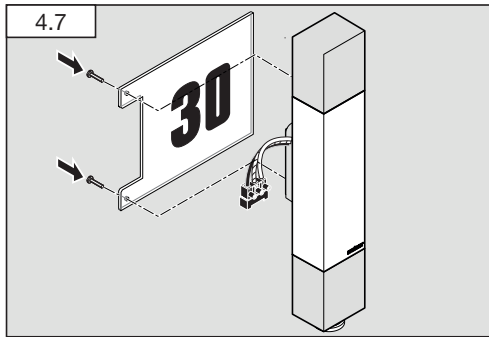
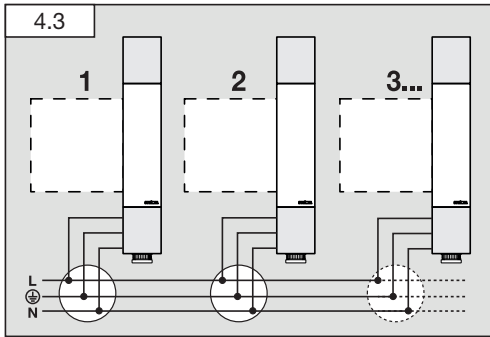
110043730_03/2016_J | Technische Änderungen vorbehalten. / Subject to technical modification without notice.

Information
L 630 LED
L 631 LED

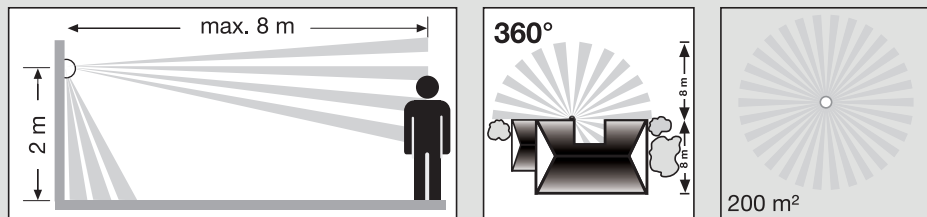


D..... 8 Textteil beachten!
 GB..... 13 Follow written instructions!

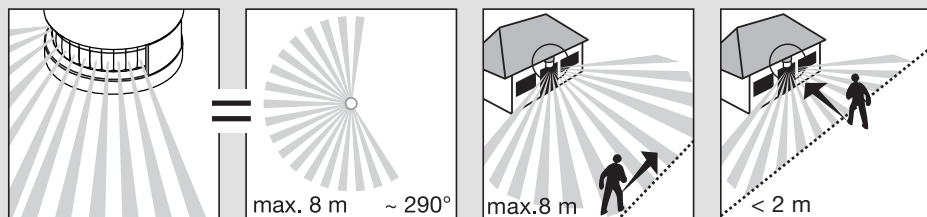




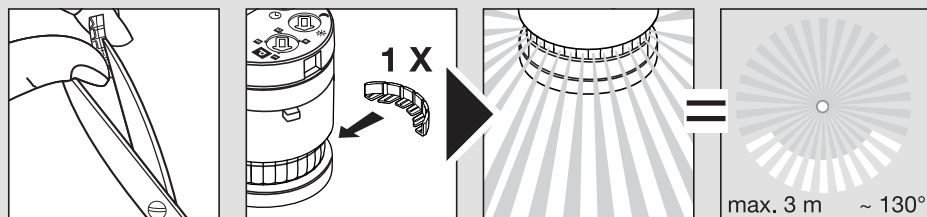
5.3



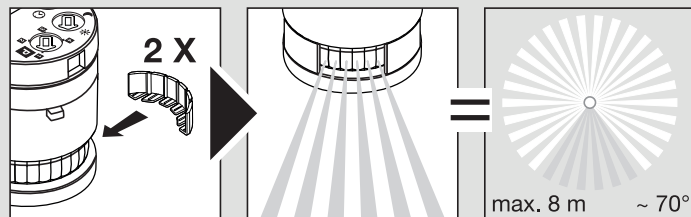
5.4



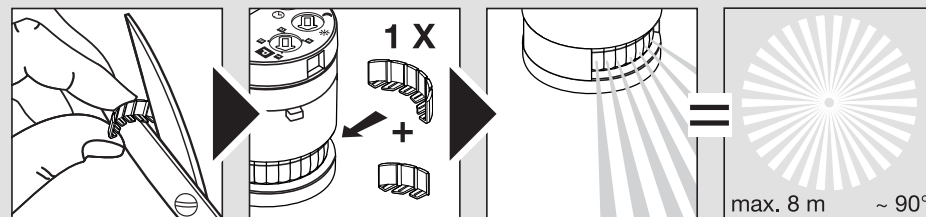
5.5



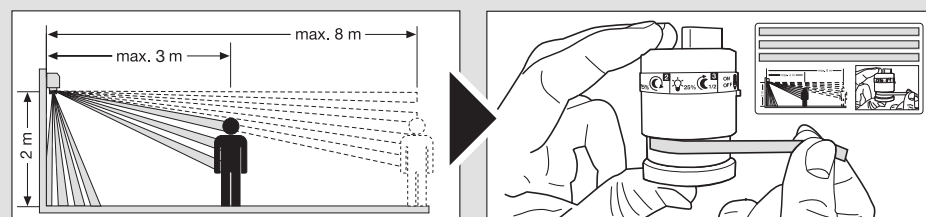
5.6



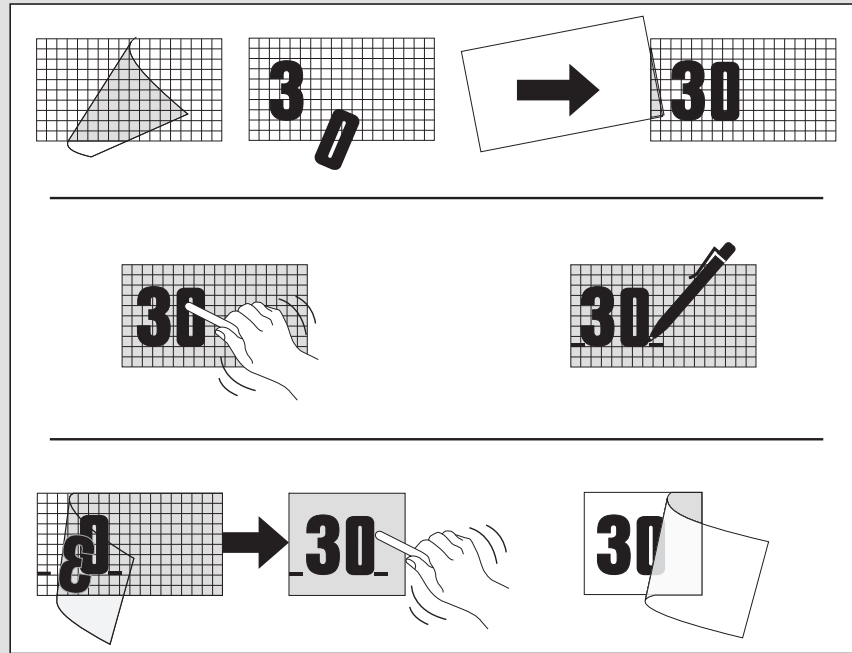
5.7



5.8



6.1



1. About this document

Please read carefully and keep in a safe place.

- Under copyright. Reproduction either in whole or in part only with our consent.
- Subject to change in the interest of technical progress.

Symbols



Hazard warning!



Reference to other information in the document.

2. General safety precautions



- Disconnect the power supply before performing any work on the unit.
- During installation, the electric power cable to be connected must not be live. Therefore, switch off the power first and use a voltage tester to make sure the wiring is off-circuit.
- Installing the sensor-switched light involves work on the mains supply voltage. This work must therefore be carried out professionally in accordance with national wiring regulations and electrical operating conditions. (D-VDE 0100, A-ÖVE / ÖNORM E8001-1, SEV 1000)
- Only use genuine replacement parts.
- Repairs may only be made by specialist workshops.

3. L 630 LED / L 631 LED

The L 630 LED and L 631 LED sensor-switched outdoor lights are passive motion detectors. The integrated high-performance infrared sensor is equipped with a double 360° sensor that detects the invisible heat emitted by moving objects (persons, animals etc.). The heat detected in this way is converted electronically into a signal that switches the light ON automatically. Heat is not detected through obstacles, such as walls or panes of glass. Heat radiation of this type will, therefore, not trigger the sensor.

Important: The most reliable way of detecting motion is to install the sensor-switched light with the sensor aimed across the direction in which a person would walk and by ensuring that no obstacles (such as trees and walls, for example) obstruct the line of sensor vision. Reach is limited when walking directly towards the light.

Package contents L 630 LED (Fig. 3.1)
 Product dimensions L 630 LED (Fig. 3.2)
 Package contents L 631 LED (Fig. 3.3)
 Product dimensions L 631 LED (Fig. 3.4)
 Product components L 630 LED / L 631 LED (Fig. 3.5 / 3.6)

- A Wall mount
- B Plug-in terminal
- C Light enclosure
- D Removable sensor unit
- E House number panel

4. Installation / mounting

Preparation

- Select an appropriate mounting location, taking the reach and motion detection into consideration.
- Switch OFF power supply (Fig. 4.1)
- Ensure correct mounting direction (Fig. 4.2)

Proper operation can only be ensured if the light is installed vertically.

Wiring diagram (Fig. 4.3)

Connect the mains power supply lead (Fig. 4.6)

The mains power supply lead is a 3-core cable:
L = phase conductor (usually black, brown or grey)

N = neutral conductor (usually blue)

PE = protective-earth conductor (green/yellow)

If you are in any doubt, identify the conductors using a voltage tester; then disconnect from the power supply again. Connect the phase conductor (**L**) and neutral conductor (**N**) to the terminal block.

Important: Incorrectly wired connections will produce a short circuit later on in the product or your fuse box. In this case, you must identify the individual conductors once again and re-connect them. A mains power switch or a break-contact button for turning the unit ON and OFF may of course be installed in the mains supply lead. This is a prerequisite for the manual override function.

Note: The light source in this light cannot be replaced. If the light source needs to be replaced (e.g. at the end of its service life), the complete light must be replaced.

Mounting

- Mark drill holes (Fig. 4.4)
- Drill holes and insert wall plugs - concealed power supply cable (Fig. 4.5)
- Connect conductors (Fig. 4.6)
- Fit house number panel (L 630) to the light enclosure (Fig. 4.7)
- Connect plug-in terminal, wall mount and light enclosure (Fig. 4.8)
- Install light enclosure on wall mount (Fig. 4.9)
- Screw in retaining screws (Fig. 4.9)
- Switch ON power supply (Fig. 4.10)
- Make settings (Fig. 5.1)
→ "5. Functions"

5. Functions

Once installed, the sensor-switched light can be put into operation. Control dials are provided on the sensor unit for selecting the time-, twilight- and programme settings.

Factory settings:

Programme setting: P 1
Twilight level: 2000 lux
Time setting (switch-OFF delay: 5 s)

- Remove the sensor after pressing the locking tab with a flat-tip screwdriver (Fig. 5.1)
- The sensor-switched light switches to manual override (permanently ON)

Programme setting (5.1 F)

P 1 Standard programme

- Soft light start / no basic light level

What is soft light start?

The sensor-switched light features a soft light start function. This means that when turned ON, the light is not switched directly to maximum output but constantly builds up brightness to 100% within a short period of time. Brightness is also gradually reduced when the light is switched OFF.

P 2 User-friendly programme

- Soft light start + basic light level
- Basic light level ON from twilight setting selected.

What is basic light level?

The basic light level provides continuous night-time illumination at approx. 10% light output. The light only switches to maximum output (100%) for the time selected in response to movement in the detection zone. The light then returns to the basic light level (approx. 10%).

Note: Depending on the local power grid, the LEDs may flicker slightly when dimmed. This is not a product defect and no reason for complaint.

P 3 Comfort economy programme

- Soft light start + basic light level until the middle of the night
- Basic light level ON from twilight setting selected until the middle of the night

What is the comfort economy programme?

The sensor-switched light does not have an integrated clock. The middle of the night is only determined on the basis of the length of darkness phases. To work perfectly, therefore, it is important for the sensor-switched light to be permanently connected to the power supply during this period. During the first night (calibration phase) basic light level remains activated throughout the night. The values are saved even in the event of a mains power failure. We do not recommend interrupting the power supply during the programme. As the values are determined over several nights, the sensor-switched light should, in the event of any fault occurring, be monitored over several nights to ascertain whether the switch-off time moves towards midnight.

P 4 Nightmatic programme

- Soft light start, no basic light level, no movement evaluation
- Switches on at 100% if the light level falls below the level set

Twilight setting (5.1 G)

The chosen response threshold can be infinitely varied from approx. 2 - 2000 lux.

- Control dial set to ☼ = daylight operation (independent of ambient brightness)
- Control dial set to ☾ = night-time operation (approx. 2 lux)

To adjust the detection zone in daylight operation, the control dial must be set to ☼ (daylight operation).

Time setting (5.1 H)

The light's ON time can be set to any period from approx. 5 s to a maximum of 15 min. Any movement detected before this time elapses will restart the timer.

Manual override function (Fig. 5.2)

If a mains switch is installed in the mains supply lead, the following functions are available in addition to simply switching light ON and OFF:

Sensor operation

1) Switch light ON (when light is OFF):

Switch OFF and ON once.

Light stays ON for the period selected.

2) Switch light OFF (when light is ON):

Switch OFF and ON once.

Light goes out or switches to sensor operation.

Manual override

1) Activate manual override:

Switch OFF and ON twice. The light is set to stay ON for 4 hours (red LED lights up behind the lens). Then it returns automatically to sensor operation (red LED off).

2) Deactivate manual override:

Switch OFF and ON once. Light goes out or switches to sensor operation.

Important:

The switch should be actuated in rapid succession (in the 0.5 - 1 s range).

Adjusting the detection zone (Fig. 5.3 to 5.8)

The detection zone can be limited to suit requirements. The shrouds supplied with the unit can be used to mask out as many lens segments as you wish. This prevents the light from being activated unintentionally, e.g. by cars, passersby etc., and allows you to target danger spots. The shrouds can be cut along the grooved vertical divisions. Then you simply clip them onto the lens.

6. Other information

Example providing help on applying the house number using the sheet of house numbers included. (Fig. 6.1)

7. Operation / maintenance

The sensor-switched light is suitable for switching light ON and OFF automatically. Weather conditions may affect the way the sensor-switched light functions. Strong gusts of wind, snow, rain or hail may cause the light to come ON when it is not wanted because the sensor is unable to distinguish sudden changes of temperature from sources of heat. The detector lens may be cleaned with a damp cloth if it gets dirty (do not use cleaning agents).

8. Declaration of Conformity

This product complies with the requirements defined in the following standards, legislation and directives:

- Low Voltage Directive 2014/35/ EU
- EMC Directive 2014/30 EU
- RoHS Directive 2011/65/EC

9. Functional warranty

This STEINEL product has been manufactured with the utmost care, tested for proper operation and safety and then subjected to random sample inspection. Steinel guarantees that it is in perfect condition and proper working order. The warranty period is 36 months and starts on the date of sale to the consumer. We will remedy defects caused by material flaws or manufacturing faults. The warranty will be met by repair or replacement of defective parts at our own discretion. The warranty shall not cover damage to wear parts, damage or defects caused by improper treatment or maintenance. Further consequential damage to other objects shall be excluded. Claims under the warranty will only be accepted if the unit is sent fully assembled and well-packed with a brief description of the fault, a receipt or invoice (date of purchase and dealer's stamp) to the appropriate Service Centre.

Repair service:

If defects occur outside the warranty period or are not covered by the warranty, ask your nearest service station for the possibility of repair.

36 month
FUNCTIONAL
WARRANTY

10. Technical specifications

Dimensions	L 630 LED: 365 x 61 x 45 L 631 LED: 365 x 61 x 45
Voltage supply	220-240 V / 50 Hz
Power consumption	8.2 W LED
Luminous flux	663 lm
Efficiency	80.8 lm/W
Colour temperature	3000 K (warm white), SDCM 3
Colour rendering index	Ra ≥ 80
Lamp life expectancy	50,000 hours (L70B10 to LM80)
Sensor technology	Passive infrared
Angle of coverage	360° with 90° angle of aperture and sneak-by guard
Reach	8 m tangential
Time setting	5 s - 15 min
Twilight setting	2-2000 lux
Programme setting	4 programmes geared to practical needs
Manual override (permanent light)	selectable, 4 h Prerequisite: switch or break-contact button in mains power supply lead
Temperature range	-20° to +50°C
IP rating	IP 44
Protection class	I
Impact resistance	IK07

11. Troubleshooting

Malfunction	Cause	Remedy
Sensor-switched light without power	<ul style="list-style-type: none"> ■ Fuse faulty, not switched ON, break in wiring ■ Short circuit 	<ul style="list-style-type: none"> ■ Fit new fuse, turn ON mains switch, check lead with voltage tester ■ Check connections
Sensor-switched light will not switch ON	<ul style="list-style-type: none"> ■ Twilight setting in night-time operation during daytime operation ■ Mains switch OFF ■ Fuse blown ■ Detection zone not correctly adjusted ■ Mains terminal not connected properly 	<ul style="list-style-type: none"> ■ Reset (control dial G) ■ Switch ON ■ Fit new fuse, check connection if necessary ■ Readjust ■ Firmly press terminal together
Sensor-switched light will not switch OFF	<ul style="list-style-type: none"> ■ Continued movement within the detection zone ■ Sensor unit is not properly engaged 	<ul style="list-style-type: none"> ■ Check detection zone and readjust if necessary ■ Lightly press sensor unit to clip it into place
LEDs do not go out at about midnight as desired	<ul style="list-style-type: none"> ■ External light source (e.g. other motion detector or light) is deactivating the sensor-switched light 	<ul style="list-style-type: none"> ■ Shade the sensor-switched light from extraneous light, then monitor the sensor-switched light for several days. It takes some time to return to the correct value

Malfunction	Cause	Remedy
LEDs do not switch OFF completely	<ul style="list-style-type: none"> ■ Comfort programme selected 	<ul style="list-style-type: none"> ■ Turn programme selector dial to 4
Sensor-switched light switches ON when it should not	<ul style="list-style-type: none"> ■ Wind is moving trees and bushes in the detection zone ■ Cars in the street are being detected ■ Sudden temperature changes due to weather (wind, rain, snow) or air expelled from fans, open windows 	<ul style="list-style-type: none"> ■ Use shrouds to precisely define the detection zone ■ Use shrouds to precisely define the detection zone ■ Change the detection zone, change the mounting location
Change in sensor-switched light reach	<ul style="list-style-type: none"> ■ Differing ambient temperatures 	<ul style="list-style-type: none"> ■ Use shrouds to precisely define the detection zone