



ClearFlood

BVP650 LXTECO 26000/NW PSU S ALU

BVP650 - LED EconomyLine - 26,000 lm - Symmetrical

ClearFlood is a range of floodlights that lets you choose the exact number of lumens you need for your application. Designed around state-of-the-art LEDs and extremely high-efficiency optics, this very competitive solution offers an industry-leading lux per euro ratio and significant energy savings. The choice of different optics opens up new application possibilities for LEDs. ClearFlood is easy to install and perfect for replacing conventional light-points as it uses the same electrical installation and poles. Selecting the required light output is also straightforward.

Product data

General Information			
Number of light sources	1 pc	CE mark	CE mark
Lamp family code	LED EconomyLine	ENEC mark	ENEC mark
Light source color	Neutral white	Optic type outdoor	Symmetrical
Light source replaceable	Yes	RAL color	Gray aluminum (9007)
Driver/power unit/transformer	Power supply unit	Knife connector	-
Driver included	Yes	Constant light output	No
Optical cover/lens type	Flat glass	RoHS mark	-
Embedded control	-	WEEE mark	-
Light regulation	-	Product family code	BVP650
Protection class IEC	Safety class I	Light Technical	
Color	Aluminum	Light source flux	26,000 lm
Finish	Matte	Operating and Electrical	
Coating	Single layer powder coating	Input Voltage	220 to 240 V
Glow-wire test	Temperature 960 °C, duration 5 s		
Flammability mark	For mounting on normally flammable surfaces		

ClearFlood

Input Frequency	50 to 60 Hz
Controls and Dimming	
Dimmable	No
Mechanical and Housing	
Housing Material	Aluminum
Optical cover/lens material	Glass
Approval and Application	
Ingress protection code	IP66 [Dust penetration-protected, jet-proof]
Mech. impact protection code	IK09 [10 J]
Initial Performance (IEC Compliant)	
Initial luminous flux	23660 lm
Initial LED luminaire efficacy	98 lm/W
Init. Corr. Color Temperature	4000 K
Initial input power	241 W

Over Time Performance (IEC Compliant)

Useful life L80B10	50000 h
---------------------------	---------

Application Conditions

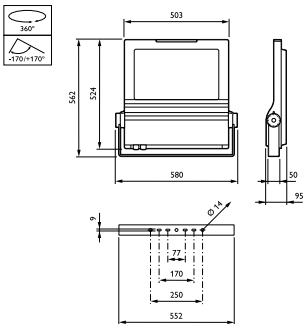
Ambient temperature range	-20 to +40 °C
Average ambient temperature	25 °C

Product Data

Full product code	871794317010400
Order product name	BVP650 LXTECO 26000/NW PSU S ALU
EAN/UPC - Product	8717943170104
Order code	912300022511
Numerator - Quantity Per Pack	1
Numerator - Packs per outer box	1
Material Nr. (12NC)	912300022511
Net Weight (Piece)	17.000 kg



Dimensional drawing



ClearFlood BVP650/651

