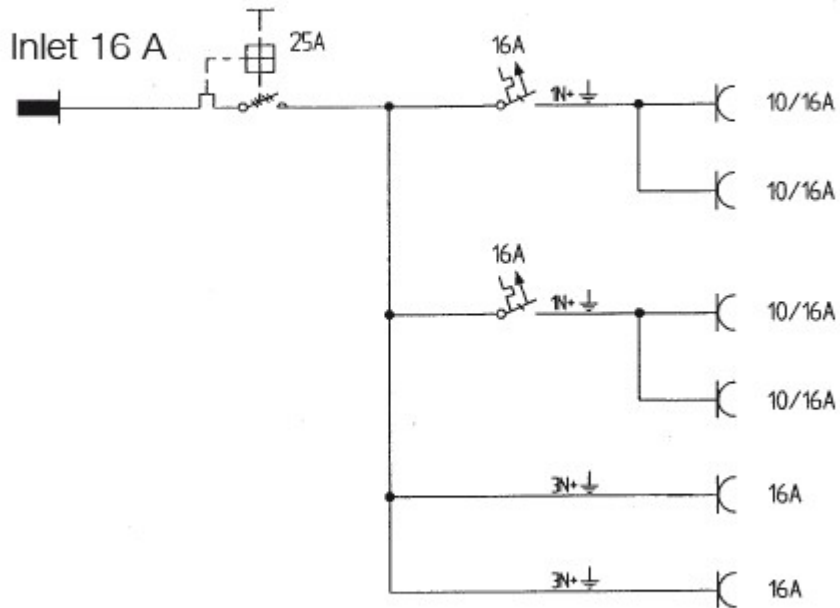


Wiring diagrams



2CMA170266R1000