

EAN: 6414150082474

[www.oras.com/en/products/oras/product/3014FT](http://www.oras.com/en/products/oras/product/3014FT)



Touchless faucet with one inlet pipe for premixed or cold water. The XS size (139 mm) of the faucet enables installation even in the smallest spaces. The faucet is equipped with Mikado® aerator, litter filters and non-return valves. No adjustments are needed at installation because of an advanced Autofocus sensor. Bluetooth connection enables easy monitoring and adjustments of the faucet. Flow rate 1.5 l/min. Electrical connection with a plug transformer 230/9 V. Alternative: concealed power supply 199275 (12 V). A maximum five of these items can be connected to the power supply at a time.

F = with flexible pipes

- Public & Semi-public
- Touchless, External transformer, Bluetooth®
- Deck mounted
- Chrome
- Autofocus sensor
- 3S-installation system for safe and simple mounting

## Technical data

### Flow properties

Flow-rate at 300 kPa (with flow controller)	<b>0.02 l/s</b>
Pressure loss with flow (0.1 l/s)	<b>210 kPa</b>

### Technical properties

Hot water supply	<b>max. +70°C</b>
Working pressure	<b>100 - 1000 kPa</b>
Connection size	<b>G3/8</b>
Projection	<b>100 mm</b>
Material	<b>brass</b>

### Software settings

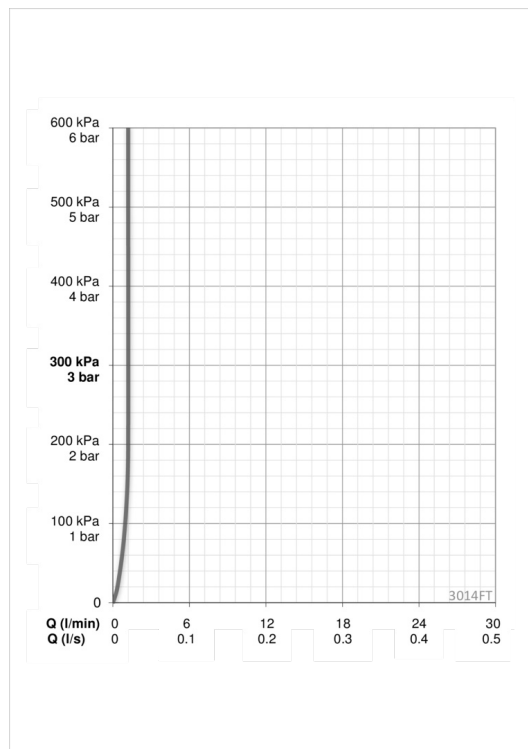
Afterflow period	<b>3 s (1-20 s)</b>
Automatic flush	<b>off (off/1-120 h)</b>
Automatic flush period	<b>30 s (1-1800 s)</b>
Max. flow period	<b>2 min (1 s-30 min)</b>

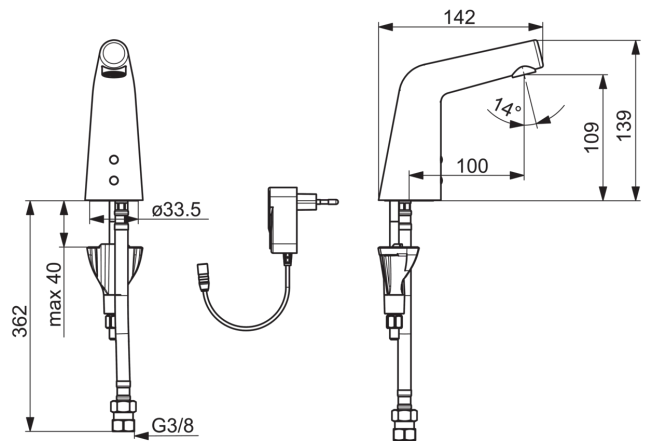
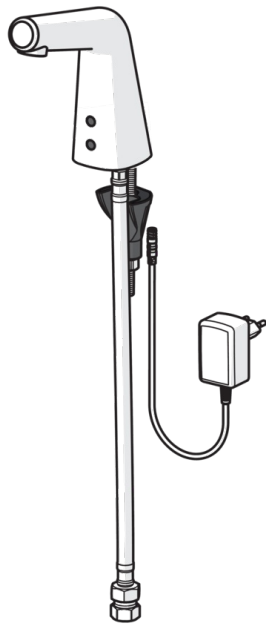
### Electronic properties

Electrical Connection	<b>230 / 9 V</b>
Bluetooth version	<b>4.x</b>

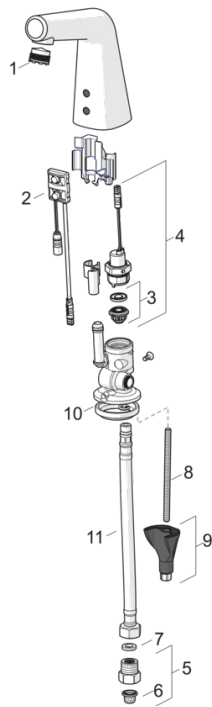
### Regulations

EMC Directive	<b>CE 2014/30/EU</b>
EN standard	<b>EN 15091</b>
Noise class	<b>I (ISO 3822) Oras lab.</b>
Protection class	<b>IP 55 / transformer IP 40</b>





## Spare parts



### SP3014FT

	Code
01	1002024V
02	1001424V
03	199205V
04	199206V
05	198473/2
06	199257/2
07	600705/10
08	1000780V
09	602610V
10	1002371V
11	601481/2