

EAN: 6414150076480

www.oras.com/en/products/oras/product/2826FT

Touchless washbasin faucet with a temperature adjustment handle and a Bidetta hand shower. The faucet is equipped with litter filters, non-return valves and Autofocus sensor which enables installation without adjustments. Flow controller (6 l/min) enables low water consumption. Electrical connection with a plug transformer 230/12 V. Alternative: concealed power supply 199275. A maximum five of these items can be connected to the power supply at a time.

F = with flexible pipes

- Public & Semi-public, Health & Care
- Touchless, Plug-in transformer, Bidetta
- Deck mounted
- Chrome
- Temperature control handle
- Bidetta hand shower
- Limitation option for maximum flow-rate
- Non-return valve(s), Litter filter(s)
- Autofocus sensor



Technical data

Flow properties

| | |
|---|----------------|
| Flow-rate at 300 kPa (with flow controller) | 0.1 l/s |
| Pressure loss with flow (0.1 l/s) | 250 kPa |

Technical properties

| | |
|------------------|-----------------------|
| Hot water supply | max. +70°C |
| Working pressure | 100 - 1000 kPa |
| Connection size | G3/8 |
| Projection | 115 mm |
| Material | brass |

Software settings

| | |
|------------------|--------------|
| Max. flow period | 2 min |
|------------------|--------------|

Electronic properties

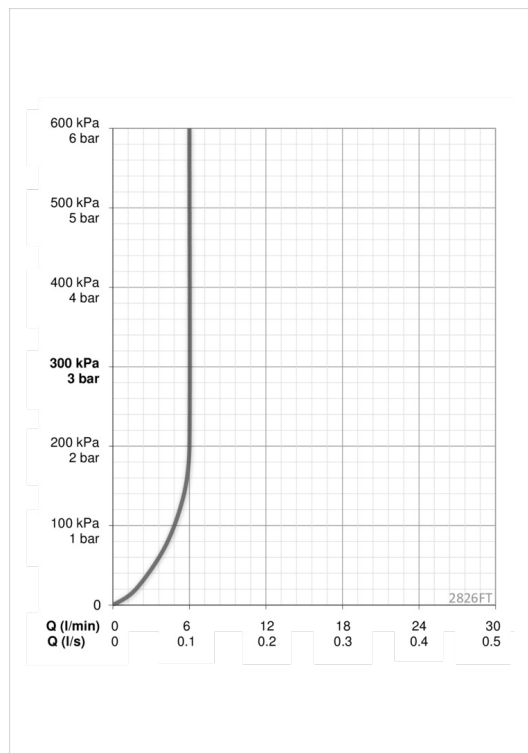
| | |
|-----------------------|-------------------|
| Electrical Connection | 230 / 12 V |
|-----------------------|-------------------|

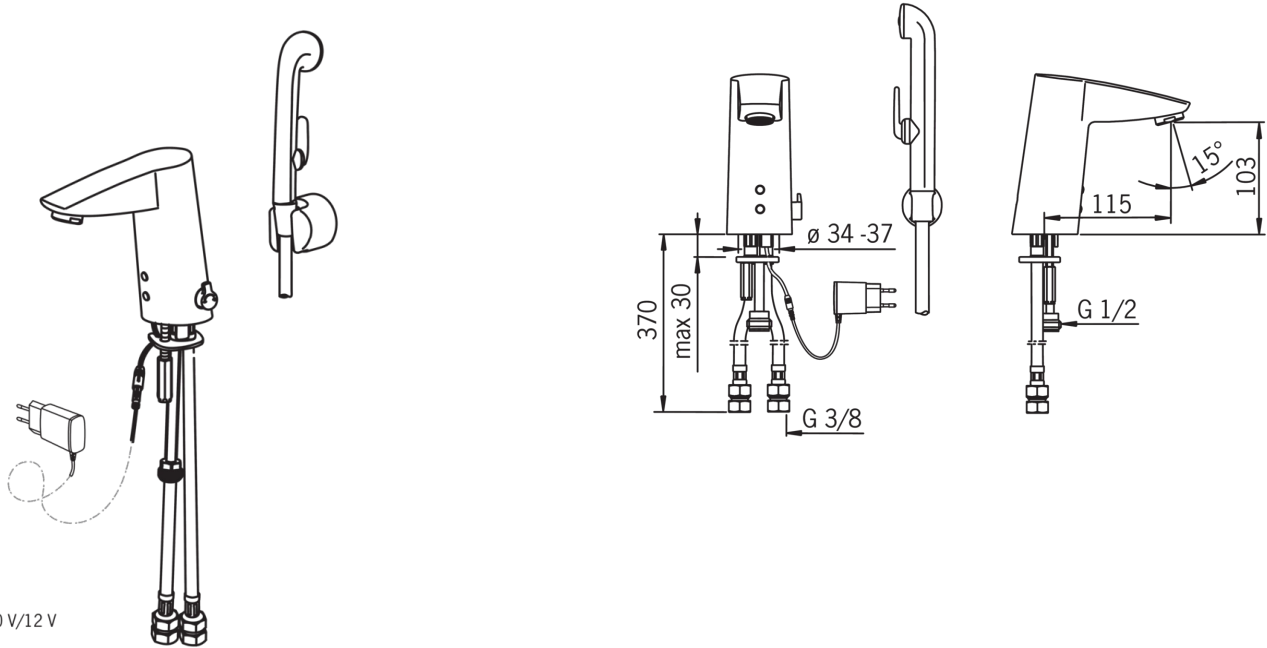
Regulations

| | |
|------------------|----------------------------------|
| EMC Directive | CE 2004/108/EY |
| EN standard | EN 15091 |
| Noise class | I (ISO 3822) |
| Protection class | IP 55 / transformer IP 40 |

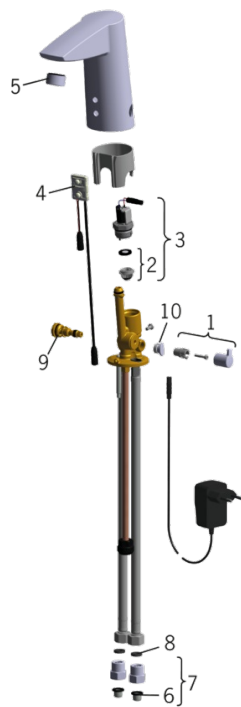
Type approvals

| | |
|-----------------|-------------------------|
| STF certificate | VTT-RTH-00002-10 |
|-----------------|-------------------------|





Spare parts



SP2826FT

| | Code |
|----|-----------|
| 01 | 600493V |
| 02 | 199205V |
| 03 | 199206V |
| 04 | 600974V |
| 05 | 601166V |
| 06 | 199257/2 |
| 07 | 198473/2 |
| 08 | 600705/10 |
| 09 | 199201V |
| 10 | 601141V |