



Twinny

332TSW 2xTL5-14W/840 HFS O

Twinny - 2 pcs - TL5 - 14 W - 840 neutral white - HF Standard - Opal

Twinny is a versatile enclosed luminaire for surface or semi-recessed mounting in areas requiring IP44 protection. It has a slim, clean design with translucent edges to create an impression of brightness. Twinny is available in 1- and 2-lamp TL-D and TL5 versions with prismatic or opal cover and optional internal reflectors (wide-beam, narrow-beam and asymmetric) for improved performance. It offers easy access for maintenance.

Product data

General Information	
Number of light sources	2 pcs
Lamp family code	TL5 [TL5]
Lamp power	14 W
Light source color	840 neutral white
Kombipack	Lamp(s) included
Compensation circuit	-
Gear	HF Standard
Optic type	-
Optical cover/lens type	Opal
Emergency lighting	-
Feed-through wiring	-
Cable	-
Product family code	332TSW [Twinny]

Operating and Electrical	
Input Voltage	220 to 240 V

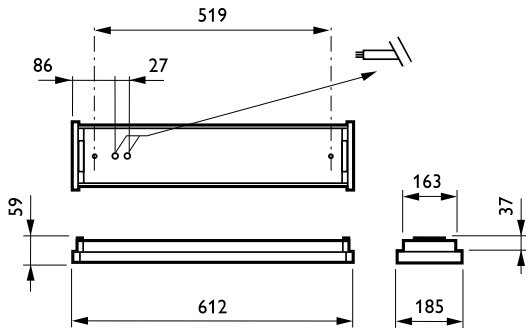
Approval and Application	
Ingress protection code	IP44 [Wire-protected, splash-proof]

Product Data	
Full product code	641814734050900
Order product name	332TSW 2xTL5-14W/840 HFS O
EAN/UPC - Product	6418147340509
Order code	910820020012
Numerator - Quantity Per Pack	1
Numerator - Packs per outer box	1
Material Nr. (12NC)	910820020012
Net Weight (Piece)	3.400 kg



Twinnny

Dimensional drawing



Twinnny 331TSW

