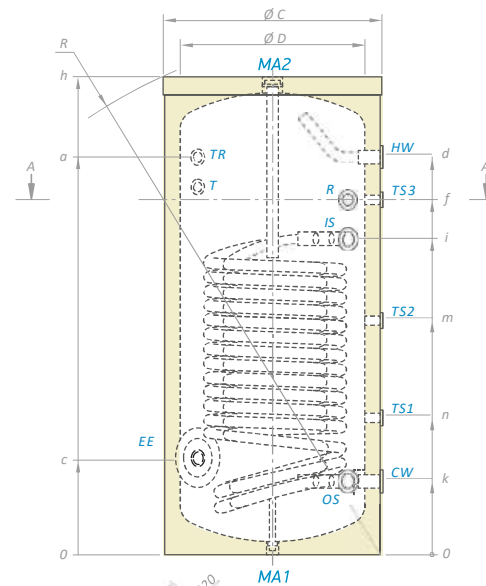
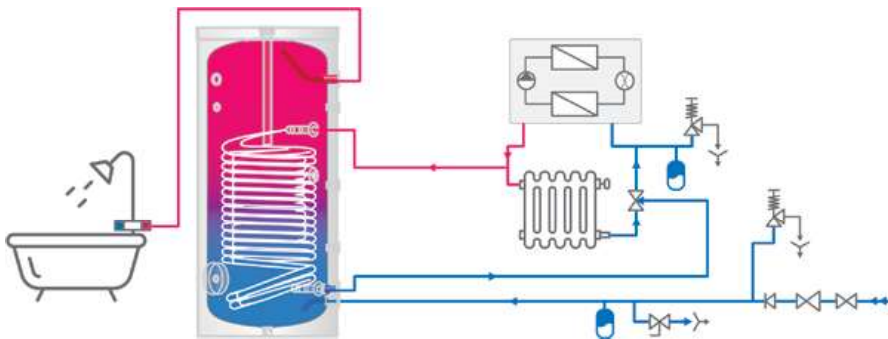


MODELS		EV 2x10 S 160 60 HP	EV 2x12 S 200 60 HP	EV 2x15 S 200 60 HP	EV 2x15 S 300 65 HP	EV 2x19 S 300 65 HP	EV 2x19S 400 75 HP	EV 2x23 S 500 75 HP
Art.number	N°	304703	305251	305250	305257	305256	305248	305231
Capacity	L	149	186	183	271	267	369	451
Net weight	kg	65	89	102	106	130	162	183
Insulation (PU)	mm	50(rigid)	50(rigid)	50(rigid)	50(rigid)	50(rigid)	50(rigid)	50(rigid)
Heat exchanger surface S1	m²	1.7	2.1	2.56	3	3.84	5.05	6
Heat exchanger capacity S1	L	11	12.5	15.6	18.3	23	31	33
Heat losses ΔT45K	W	1.2	1.4	1.4	1.6	1.6	2.2	2.3
Energy efficiency class	B	B	B	B	B	B	C	C
Maximum operational temperature	°C	95	95	95	95	95	95	95
Maximum operational temperature of heat exchanger	°C	110	110	110	110	110	110	110
Rated pressure	bar	8	8	8	8	8	8	8
Rated pressure of the heat exchanger	bar	6	6	6	6	6	6	6
Heat exchanger reheat performance P at flow rate of primary side (S1) Coil 80°	kW/(l/min)	36.5/(33.3)	46.3/(41.7)	55.2/(41.7)	63.8/(50.0)	73.0/(50.0)	101.7/(58.3)	117.2/(58.3)
V40 -hot water delivered with a temperature of at least 40 °C (S1) Coil 80°	L	205	327	299	450.5	357.4	567	662.3
Reheat time 10-60°C flow rate at primary side (S1) Coil 80°	min/(l/min)	12.5/(33.3)	13.5/(41.7)	10.7/(41.7)	13.2/(50)	10.88/(50)	10.8/(58.3)	11.7/(58.3)
Heat exchanger reheat performance P at flow rate of primary side (S1) Coil 55°	kW/(l/min)	14.9/(50.0)	18.8/(50.0)	23.0/(50.0)	25.2/(50.0)	27.0/(50.0)	37.1/(50.0)	35.7/(50.0)
V40 -hot water delivered with a temperature of at least 40 °C (S1) Coil 55°	L	165	262	240	383	340	468	500
Reheat time 10-50°C flow rate at primary side (S1) Coil 55°	min/(l/min)	24.45/(50)	25.81/(50)	20.25/(50)	27.68/(50)	23.73/(50)	23.18/(50)	30.0/(50)
Coil Pressure drop at flow rate m ³ /h (S1)	kW/(l/min)	30/(33.3)	53.3/(41.7)	56.6/(41.7)	71.9/(41.7)	94.9/(50.0)	171.5/(58.3)	173.2/(58.3)

** 10°C - cold water temperature, 60°C - hot water temperature (domestic water)

INSTALLATION AND CONNECTION SCHEME



Model		EV 2x10 S 160 60 HP	for OTHER MODELS
CW	cold water inlet	G 1"	G 1"
HW	hot water outlet	G 1"	G 1"
IS1	heat exchanger inlet	G 1"	G 1 1/2"
OS1	heat exchanger outlet	G 1"	G 1 1/2"
R	recirculation	G 3/4"	G 3/4"
T	thermometer	Ø14x1.5	Ø14x1.5
TR	opening for thermoregulator	G 1/2"	G 1/2"
TS1	thermo sensor pocket level 1	G 1/2"	G 1/2"
TS2	thermo sensor pocket level 2	G 1/2"	G 1/2"
TS3	thermo sensor pocket level 3	G 1/2"	G 1/2"
EE	opening for electric element	G 1 1/2"	G 1 1/2"
MA1	magnesium anode 1	G 3/4"	G 3/4"
MA2	magnesium anode 2	G 1 1/2"	G 1 1/2"

TS3 is not available in 200 L model
Thread designations according to EN ISO 228-1/

Dimensions ±5mm		EV 2x10 S160 60 HP	EV 2x12 S200 60 HP	EV 2x15 S200 60 HP	EV 2x15 S300 65 HP	EV 2x19 S300 65 HP	EV 2x19 S400 75 HP	EV 2x23 S500 75 HP
h	mm	1007	1202	1197	1420	1420	1400	1670
a	mm	791	995	996	1184	1184	1168	1447
c	mm	271	264	264	278	278	272	405
d	mm	791	996	996	1184	1184	1171	1447
f	mm	712	792	794	1055	953	1059	1162
i	mm	602	897	919	937	1120	1118	1378
j	mm	207	202	202	205	206	225	225
k	mm	207	202	202	205	206	225	225
l	mm	699	897	897	1055	1055	1059	1162
m	mm	499	633	633	691	691	778	864
n	mm	289	360	360	398	398	448	467
R	mm	1169	1345	1345	1560	1560	1590	1823
ØC	mm	600	600	600	650	650	750	750
ØD	mm	500	500	500	550	550	650	650