

Nr. 6223

## ISO end stop, POM

made of POM



### Standards

#### ISO:

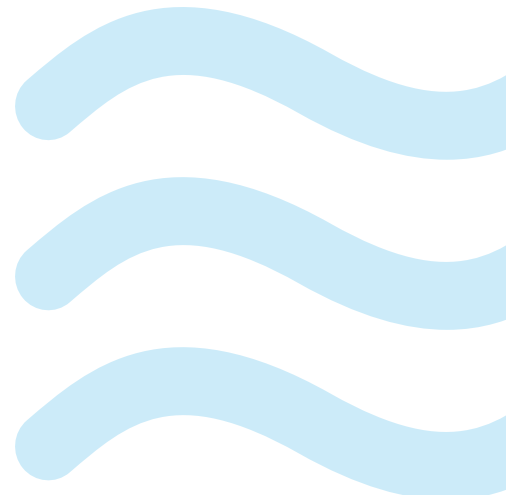
- For PE-pipes according to EN 12201 and DIN 8074 | to PN 16; up to 30 °C medium temperature, also for vacuum (with support liner)
- restraint acc. to DIN 8076 T1/T3
- with special clamp for PVC pipes acc. to EN 1452-2

### Construction features

#### ISO:

- The function of the ISO pipe fitting is clear and simple: the O-ring made of highly elastic elastomer seals even when depressurized due to its pretension on the pipe.
- As the water pressure and pipe tension increase, the sealing and grip rings are compressed further into the conical chamber, thus increasing the sealing and gripping effect
- The gripping and sealing functions only act on the outer diameter of the pipe; therefore only one fitting is required for all pressure ratings up to PN 16
- The joint is flexible; the fitting can be turned on the pipe and disassembled on demand without affecting the grip or seal. The installation of the fitting is quick and simple.
- The POM fitting in the new copolymer version is UV-stabilized and offers excellent long-term stability
- The colored dust caps of the POM fitting indicate the different leading medium (gas, water) and offer protection against contamination
- In POM fittings all internal threads are reinforced with a stainless steel ring

All ISO pipe fittings can also be supplied for PVC pipes with a specialised grip ring at extra cost.



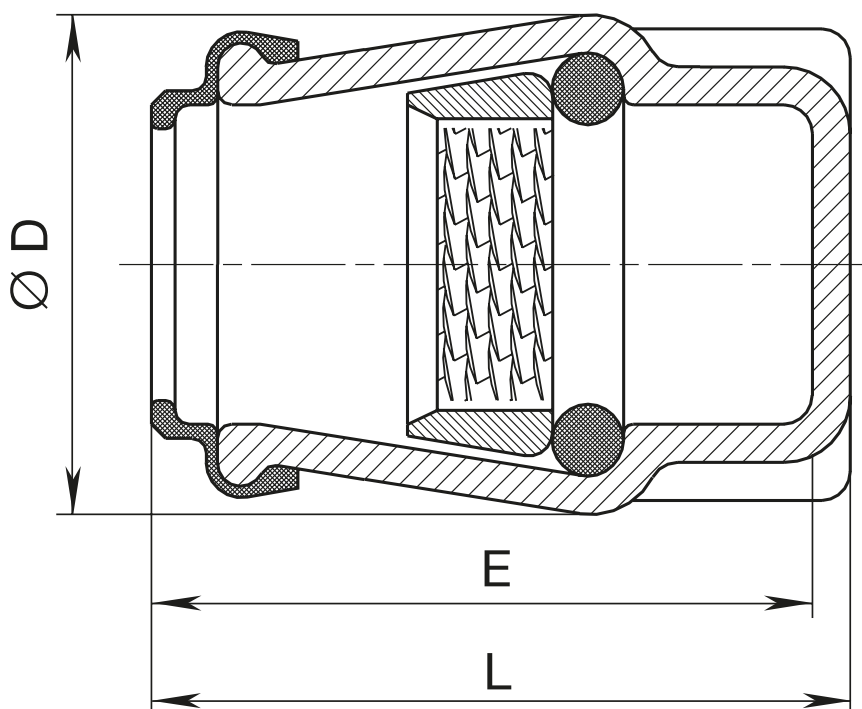
Nr. 6223

## ISO end stop, POM

made of POM

### Materials

Body	POM (Polyoxymethylene)
Grip ring	POM (Polyoxymethylene)
O-ring gasket	Elastomer



DN	PN	Weight	L	E	$\varnothing d$	$\varnothing$ pipe
D20	PN16	0.04	54,5	48,5	39	20
D25	PN16	0.58	65,5	58,5	43	25
D32	PN16	0.09	75,0	70,0	53	32
D40	PN16	0.23	92,5	82,5	72	40
D50	PN16	0.272	107	101	83	50
D63	PN16	0.418	117	111	99	63

All illustrations, technical data, dimensions (in mm) and weights (all weights specified in kg) are non-binding. Subject to changes and printing errors