

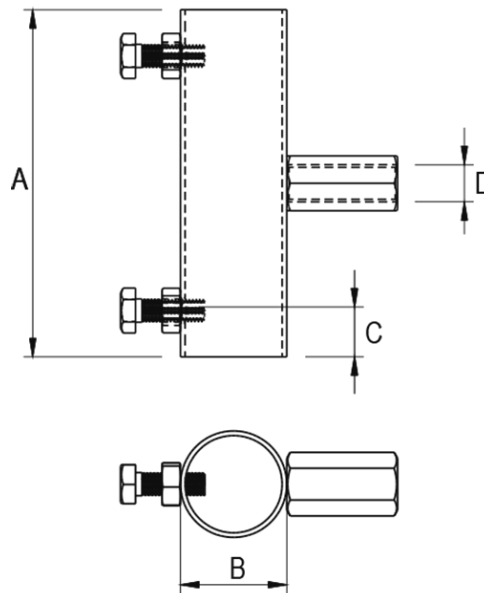
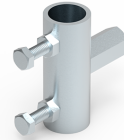
## Interception air rod holder for clamp 96701105

**Cat. no.**  
96000701

**Type**  
60.7/M16

**Material**  
(St/Zn) galvanized steel

For mast and spires mounting. Threaded holder element, thread M16 e.g double clamp 96701105. Use minimum 2 holders for one mast. Recommended distance between holders is 0,8 m.



TYP	APPLICATION FOR MASTS	A	B	C	D	BOLT
60.7/M16	-	100	30	22	M16	2×M10×30

