



AVK SYNTHETIC SURFACE BOX MP

80/22-022

For service connection valves, Surface box MP LD-GG

AVK offers a wide range of fixed and height adjustable surface boxes in various dimensions, which can be used in many fields of application. Apart from economic benefits, AVK synthetic surface boxes are lightweight, user-friendly, easy to open, noiseless and maintenance free. Most of AVK surface boxes are designed and approved according to DIN/EN standards, but can also be designed according to local standards or customer specifications. The carbon footprint (CO₂ emission) of synthetic surface boxes, measured from resource to end of life, is significantly lower compared to surface boxes made of traditional materials, making AVK surface boxes ecologically sound.

Product description:

Fixed height surface box with cast iron lid, for service connection valves, standard inscription plate: WATER or GAS

Features:

- Lightweight, user-friendly, silent and maintenance free
- 100% recyclable and significantly less use of resources compared to traditional materials
- Manufactured out of high grade recycled materials
- Selected materials for housing and lid ensure easy opening at all times
- Heat resistant to max. 250 °C
- Suitable for low-temperature applications
- Limited installation depth required
- Click system ensuring lid will stay in place
- Galvanized steel cable connection between lid and surface box
- Acceptance and fixation of down pipes Ø 75, 90, 98, 110 and 118mm directly in surface box
- B125 load bearing capacity on complete surface*

Optional

- Various colours and lid inscriptions possible

*Results of the load-bearing capacity test on the complete surface, following the internally used load application method, and declaring the load-bearing capacity according to the corresponding class as per EN 124-1:2015, clause 7.2, table 4

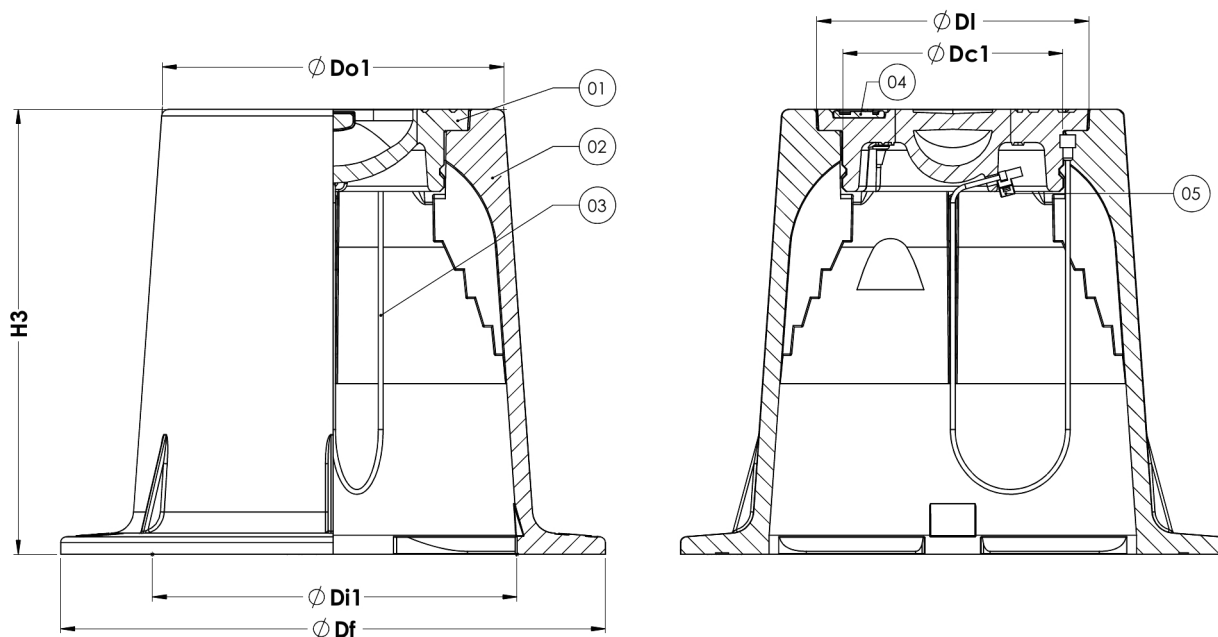
Accessories:

Support tile I



Expect ... **AVK**

The designs, materials and specifications shown are subject to change without notice due to the continuous development of our product range.



Component list:

1. Lid	Cast iron GJL-200 (GG-20)	4. Inscription plate	PA 6
2. Housing	PA+	5. Cable tie	PA 6
3. Cable	Steel, galvanized		

Components may be substituted with equivalent or higher class materials without prior notification.

Reference nos. and dimensions:

AVK ref. no.	Do1	DI	Dc1	Di1	Df	H3	Weight	Weight	Theoretical
	mm	mm	mm	mm	mm	mm	Box / kg	Lid / kg	weight/kg
80-22-0220000 (1)	121	96	80	130	193	157	0.6	0.7	1.3
80-22-0220005 (2)	121	96	80	130	193	157	0.6	0.7	1.3
80-22-0220008 (3)	121	96	80	130	193	157	0.6	0.7	1.3

(1) Inscription AVK W
 (2) Inscription plate: VAND (blue)
 (3) Inscription plate: WATER (blue)