

OPAL

User Manual

Circulation Pump

DFM886



English	2 - 17
Finnish	18 - 33
Swedish	34 - 49
Norwegian	50 - 65
Estonian	66 - 80
Latvian	81 - 96
Lithuanian	97 - 112

General safety warnings (GB)

- This appliance can be used by children aged from 8 years and above and persons with reduced physical, sensory or mental capabilities or lack of experience and knowledge if they have been given supervision or instruction concerning use of the appliance in a safe way and understand the hazards involved. Cleaning and user maintenance shall not be carried out by children unless they are aged from 8 years and above and supervised.
- Always disconnect the appliance from the supply before assembling, disassembling or cleaning.
- Appliances can be used by persons with reduced physical, sensory or mental capabilities or lack of experience and knowledge if they have been given supervision or instruction concerning use of the appliance in a safe way and if they understand the hazards involved.
- Children shall not play with the appliance.
- Pumps without indication that they are protected against the effect of freezing shall not be left outside during freezing weather conditions.
- Attention! If the power cord is damaged, it must be replaced by the manufacturer, its service agent or similarly qualified persons in order to avoid a safety hazard.
- Familiarise yourself with the operation, adjustments and functions. Follow the safety and

operation instructions in order to avoid possible risks and hazards.

- Contact a qualified person or your dealer if you have questions after reading the instruction manual.
- Store the instruction manual so that it is accessible for all users. Also relay it when giving the product to others.
- Do not attempt to modify the product in any way. Only use attachments and accessories recommended by the manufacturer.
- Use the product only in accordance with this instruction manual. Misuse and incorrect handling will lead to hazards for people and property.
- Do not use the product if damage is visible. Check the power cord, plug, attached hoses and casing before each use. Faulty products must be repaired or properly disposed of.
- Disconnect the product from the power supply immediately if the cord or the product is damaged or if a breakdown occurs.
- Have the product repaired only by a qualified specialist. Improper repairs can lead to electric shocks or other accidents.
- Pull the plug rather than the power cord to disconnect the product from the power supply.
- Do not let the power cord hang over edges, do

not squeeze or bend it.

- Use extensions cords that correspond with the technical requirements of this product if using an extension cord is unavoidable. When operating products outdoors, use an extension cord suitable for outdoor use.

Pump safety warnings

- The appliance shall be installed in accordance with national wiring regulations.
- The pump is to be supplied through a residual current device (RCD) having a rated residual operating current not exceeding 30 mA.
- Prevent access of children with appropriate measures.
- Make sure that no marine animals (e.g. fish) are extracted by the pump.
- Have in mind that pollution of the liquid could occur due to leakage of lubricants.
- Protect the electrical connections and cords from heat, oil, sharp edges and moisture.
- Protect the pump from frost and running dry.
- Do not pump liquids with sand or other abrasive substances. It causes increased wear and reduces the pumps output.
- The product is designed for clear water with a diameter of suspended impurities not exceeded 1 mm.

- Never use the pump when there is the danger of frost occurring.

Emergency

Familiarise yourself with the use of this product by means of this instruction manual. Memorise the safety directions and follow them to the letter. This

will help to prevent risks and hazards.

1. Always be alert when using this product, so that you can recognise and handle risks early. Fast intervention can prevent serious injury and damage to property.
2. Disconnect from the power supply if there are malfunctions. Have the product checked by a qualified professional and repaired, if necessary, before you operate it again.

Residual risks

Even if you are operating this product in accordance with all the safety requirements, potential risks of injury and damage remain. The following dangers can arise in connection with the structure and design of this product:

1. Health defects resulting from vibration emission if the product is being used over long periods of time or not adequately managed and properly maintained.
2. Injuries and damage to property due to broken attachments or the sudden impact of hidden objects during use.
3. Danger of injury and property damage caused by flying objects.
4. Risk of bursting.



WARNING! This product produces an electromagnetic field during operation! This field may under some circumstances interfere with active or passive medical implants! To reduce the risk of serious or fatal injury, we recommend persons with medical implants to consult their doctor and the medical implant manufacturer before operating this product!

Preface

Before using this product, Please read the instructions carefully. Any failure and losses due to non-compliance with the provisions of this specification precautions arising, the manufacturer does not assume any responsibility. Please take good care of all documents. If you have any questions, please call letter or contact the local dealer. All the information in this instructions, diagrams and specifications are published in the latest product information shall prevail. By the constantly updated products, if discover the nameplate parameters and difference in this instructions are given priority to with nameplate.

1. General description

The ARP circulator pump is designed for the circulation of water in heating systems and domestic hot-water systems. The ARP circulator pump incorporates a permanent-magnet motor and frequency conversion control enabling continuous adjustment of the pump performance to the actual system requirements. The ARP circulator pump has a user-friendly control panel.

Easy to install and start the ARP circulator pump. Thanks to the AUTO function (factory setting), the pump can, in most cases, be started without making any settings. Low energy consumption compared to conventional circulator pumps. The pump of $EEL \leq 0.23$.

2. Applications

2.1 Pumped liquids

Clean, thin, non-aggressive and non-explosive liquids, not containing solid particles, fibres or mineral oil. In heating systems, the water should meet the requirements of accepted standards on water quality in heating systems.



Warning

The pump must not be used for the transfer of flammable liquids such as diesel oil, petrol and similar liquids.

2.2 System pressure

Maximum 1.0MPa (10bar).

2.3 Enclosure class

IP 42.

2.4 Inlet pressure

Table 1 Minimum inlet pressure in relation to liquid temperature

Liquid temperature	Minimum inlet pressure	
	Mpa	Bar
75°C	0.005	0.05
90°C	0.028	0.28
110°C	0.108	1.08

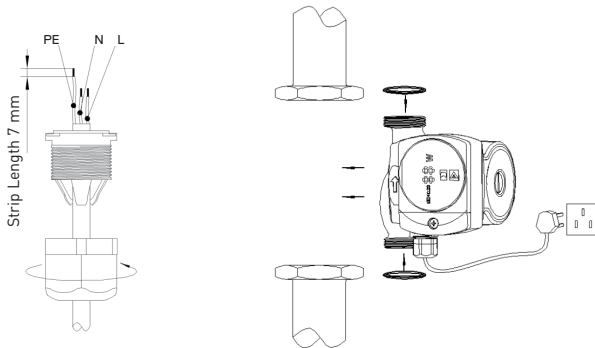
3. Electrical connection



Unless the power has been shut down, please don't junction box for wiring work.

The pump must be connected to earth.

The pump must be connected to an external mains switch.



The electrical connections and protection must be carried out in accordance with local regulations. Check that the supply voltage and frequency correspond to the values stated on the pump.

If pump workspace are far away from the power supply, the power cable should be appropriate, otherwise it will affect the normal work of the pump because of voltage.

If the pump is used outdoors, the power cable must use a professional rubber cable.

4. Control panel

4.1 Elements on the control panel

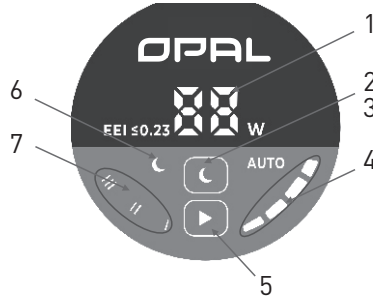


Fig.1 ARP control panel

Table 2 Elements on the control panel

Pos.	Description
1	Display showing the actual pump power consumption in Watt
2	Push-button for activation of Night SetBack
3	Auto mode light
4	proportional-pressure and constant-pressure mode light
5	Push-button for selection of pump setting
6	Speed III, II, I mode light
7	Night SetBack light

4.2 Display panel

The display, pos. 1, is on when the electricity has been switched on.

The display shows the actual pump power consumption in Watt (integer) during operation.

Under the pump running, when a fault occurs, the pump immediately stops working, the display panel shows fault code, the pump restart after 30s.

Fault code are shown in table 3.

Table 3 Fault code

Fault code	Name	Description
P0	Module protection	IPM module fault or Overcurrent protectiong
P1	Voltage error	Voltage is too low or too high(more tan 380V or less tan 120V)
P2	Failed to start	Motor jammed or don't mach
P3	Phase protection	Motor cable is not connected
P6	Stall protection	The motor can't be due to external causes synchronous operation
P9	Overcurrent protectiong	Load is too high
E5	EEPROM fault	External memory fault

4.3 Push-button for selection of pump setting

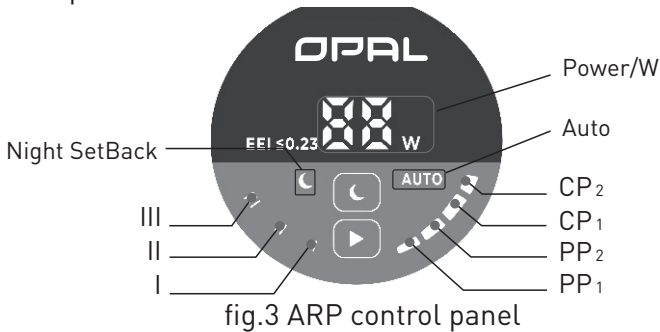
Every time the push-button is pressed, see fig.1, pos. 5, the pump setting is changed. A cycle is eight button presses. See fig.2



Auto mode
PP1, Lowest proportional- pressure curve mode
PP2, Highest proportional- pressure curve mode
CP1, Lowest constant- pressure curve mode
CP2, Highest constant- pressure curve mode
I Constant curve, speed I mode
II Constant curve, speed II mode
III Constant curve, speed III mode

Fig.2 Push-button for selection of pump setting

4.4 Lights

Light areas represent as follows:



4.5 Push-button for activation of Night SetBack  see fig.1, pos.5, **Push-button for activation of Night SetBack After the night mode is activated, light**  see fig.3) is lit up.

5. Setting the pump

5.1 Pump setting for system type

Recommended and alternative pump settings according to table 4.

Table 4 Pump setting for system type

System type	Pump setting	
	Recommended	Alternative
Underfloor heating	Auto	Highest constant-pressure curve mode(CP2)or lowest constant- pressure curve mod (CP1)
Two-pipe systems	Auto	Highest proportional- pressure curve mode(PP2)
One-pipe systems	Lowest proportional- pressure curve mode (PP)	Highest proportional-pressure curve mode (PP2)

5.2 Pump control

During operation, the pump head will be controlled according to the principle "proportional-pressure control" (PP) or "constant-pressure control" (CP).

Proportional-pressure control In this control mode, the differential pressure across the pump is controlled according to the flow.
 Constant-pressure control In this control mode, a constant differential pressure across the pump is maintained, irrespective of the flow.

6. Night SetBack

Press the push-button for activation of Night SetBack, release the push-button after waiting indicator lights, pimp into Night SetBack.

7. Start-up

Do not start the pump until the system has been filled with liquid and vented. The required minimum inlet pressure must be available at the pump inlet.
 Air in the pump may cause noise. This noise ceases after a few minutes running. Quick venting of the pump can be obtained by setting the pump to speed III for a short period, depending on system size and design.
 When the pump has been vented, i.e. when the noise has ceased, set the pump according to the recommendations.

8. Relation between pump setting and pump performance

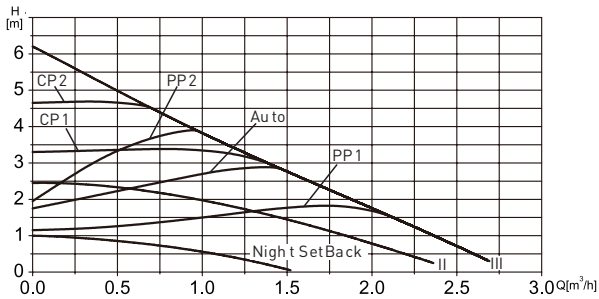



Fig.4 ARP Performance curves

Table 5 Relation between pump setting and pump performance

Setting	Pump curve	Function
Auto	Highest to lowest proportional-pressure curve	The AUTO function enables ARP to control the pump performance automatically within a defined performance range, Adjusting the pump performance to the variations in load over time. In AUTO, the pump is set to roportional-pressure control.
PP1	Lowest proportional-pressure curve	The duty point of the pump will move up or down on the lowest proportional- pressure curve, depending on the water demand. The head (pressure) is reduced at falling water demand and increased at rising water demand.
PP2	Highest proportional-pressure curve	The duty point of the pump will move up or down on the highest proportional- pressure curve, depending on the water demand. The head (pressure) is reduced at falling water demand and increased at rising water demand.

CP1	Lowest constant-pressure curve	The duty point of the pump will move out or in on the lowest constant-pressure curve, depending on the water demand in the system. The head (pressure) is kept constant, irrespective of the water demand.
CP2	Highest constant-pressure curve	The duty point of the pump will move out or in on the highest constant-pressure curve, depending on the water demand in the system. The head (pressure) is kept constant, irrespective of the water demand.
III	Speed III	ARP runs at a constant speed and consequently on a constant curve. In speed III, the pump is set to run on the max. curve under all operating conditions. Quick venting of the pump can be obtained by setting the pump to speed III for a short period.
II	Speed II	ARP runs at a constant speed and consequently on a constant curve. In speed II, the pump is set to run on the medium curve under all operating conditions.
I	Speed I	ARP runs at a constant speed and consequently on a constant curve. In speed I, the pump is set to run on the min. curve under all operating conditions.
	Night SetBack	ARP changes to the curve for Night SetBack, i.e. absolute minimum performance and power consumption, provided certain conditions are met.

9. Fault finding chart



Please repair the pump after turn off the power

Table 6 Fault finding chart

Falut	Cause	Remedy
The motor does not run	One fuse in the installation is blown.	Replace the fuse.
	Motor stuck.	Rotation of the rotor with a screwdriver.
	The pump is blocked.	Remove the impurities.
	Electricity supply failure. Might be too low.	Check that the electricity supply falls within the specified range.
	Capacitor damaged.	Replace capacitor.
The normal operation of the motor, the pump can't pump water	Air in the water pipe.	Repair the water pipe.
	Entrance with debris	Clear debris
Noise in the system	The flow is too high.	Reduce the suction head.
	Air in the system.	Vent the system.
Noise in the pump	Air in the pump.	Vent the pump.
	The inlet pressure is too.	Increase the inlet pressure.
Remark: Fault code display are shown in Table 3		

10. Technical data and installation dimensions

10.1 Technical data

Table 7 Technical data

Supply voltage	(220~240V) ± 5%	
Frequency	50Hz ± 1%	
Enclosure class	IP42	
Insulation class	H	
Relative air humidity	Maximum 95%	
System pressure	Maximum 1.0 MPa, 10 bar, 102 m head	
Inlet pressure	Liquid temperature	
	Minimum inlet pressure	
	≤75°C	0.05bar / 0.005Mpa / 0.5 m head
	+90°C	0.28bar / 0.028Mpa / 2.8 m head
	+110°C	1.08bar / 0.108Mpa / 10.8 m head
Liquid temperature	2°C~110°C	
Ambient temperature	0°C~40°C	
Temperature class	TF110	
PH	6~9	

To avoid condensation in the control box and stator, the liquid temperature must always be higher than the ambient temperature. See table 8.

Table 8 Relationship between ambient temperature and liquid temperature

ambient temperature (°C)	liquid temperature (°C)	
	Min.	Max.
0	2	110
10	10	110
20	20	110
30	30	110
35	35	90
40	40	70

In domestic hot-water systems, it is recommended to keep the liquid temperature below 65°C to eliminate the risk of lime precipitation.

Table 9 ARP Technical data

Model	Max. flow m ³ /h	Max. head m	Rated flow m ³ /h	Rated head m	Input power W	caliber mm	EEL	Pipeline
DFM886 [ARP25-60/180]	2.7	6.0	1.4	3.5	45	Φ25	≤0.23	G1×G1

10.2 Installation dimensions

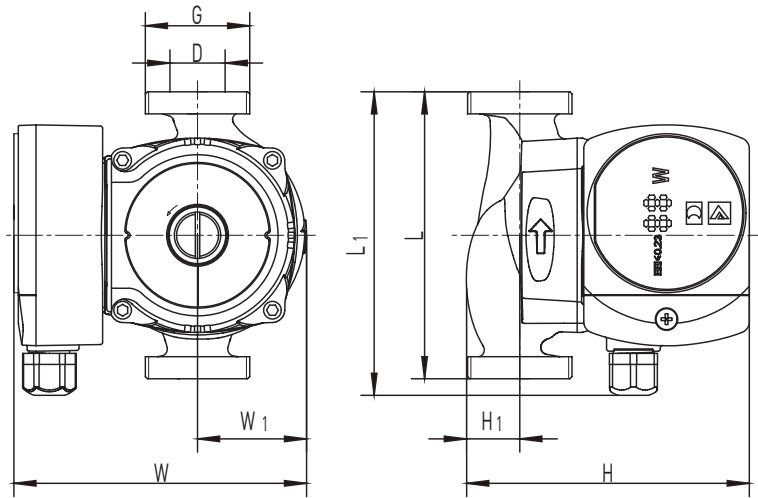


Table 10 ARP Installation dimensions

Model	L(mm)	W(mm)	H(mm)	L1(mm)	W1(mm)	H1(mm)	G	D(mm)
DFM886 (ARP25-60/180)	180	135	130	165	50	25	G1.5	Φ25

11. Performance curves

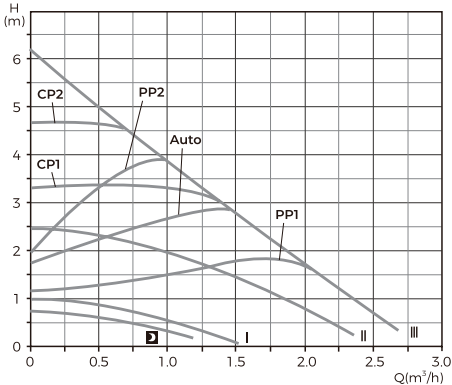
The guidelines below apply to the curves on the next pages:

Test liquid: Airless water.

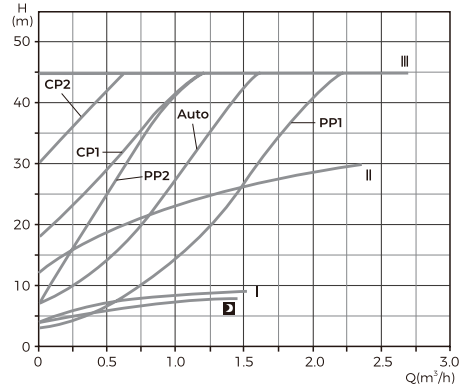
All curves show average values and should not be used as guarantee curves. If a specific minimum performance is required, individual measurements must be made.

The curves for speeds I, II and III are marked.

Explain: ARPXX-60 curves(Q-H, Q-P1) applies to the following models:



ARPXX-60 Q-H

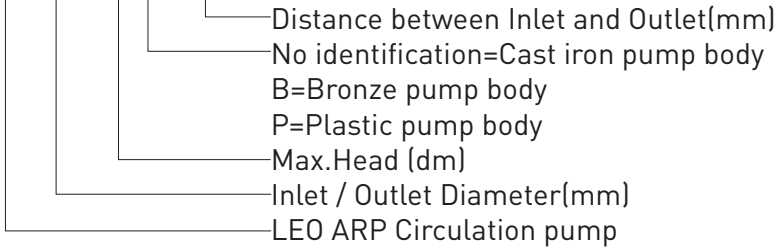


ARPXX-60 Q-P1

12. Model and Nameplate

12.1 Model

ARP 25 - 60 X / 180



12.2 Nameplate

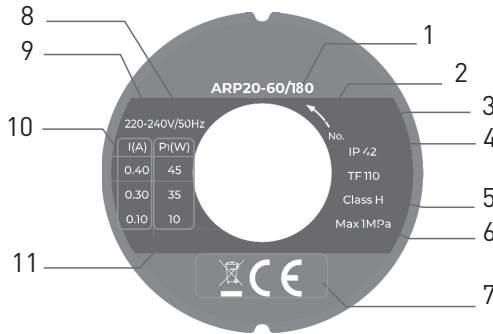
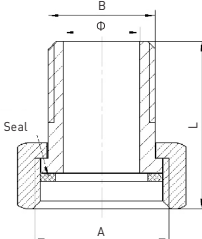

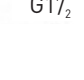


Table 11 ARP Nameplate

Pos.	Description	Pos.	Description
1	Pump type	9	Frequency(Hz)
2	The direction of rotation of the impeller	10	Speed III current, I(A)
3	Enclosure class		Speed II current, I(A)
4	Temperature class		Speed I current, I(A)
5	Insulation class	11	Speed III, Maximum input power, P1(W)
6	Maximum System pressure		Speed II, Maximum input power, P1(W)
7	CE		Speed I, Maximum input power, P1(W)
8	Supply voltage		

13. Accessories (optional)

Table 12 pipe joint

Model	Example	Picture	A	B	Φ	L
DFM886 (ARP25-60/180)		 G1"  G1 $\frac{1}{2}$	G1 $\frac{1}{2}$	G1	Φ41	36

14. Clean and maintain

Under normal operating conditions, the pump is maintenance-free, it is recommended to keep clean water quality. If there is a risk freezing damage, please close the inlet valve and open the outlet valve, drain the water. In the summer, or the ambient temperature is high, please pay attention to ventilation.



Meaning of crossed –out wheeled dustbin:

Do not dispose of electrical appliances as unsorted municipal waste, use separate collection facilities.

Contact you local government for information regarding the collection systems available.

If electrical appliances are disposed of in landfills or dumps, hazardous substances can leak into the groundwater and get into the food chain, damaging your health and well-being.

When replacing old appliances with new ones, the retailer is legally obligated to take back your old appliance for disposals at least free of charge.

Guarantee

We take special care to select high quality materials and use manufacturing

techniques that allow us to create products incorporating design and durability. This product (DFM886) has a manufacturer’s guarantee of 2 years against manufacturing defects, from the date of purchase (if bought

in store) or date of delivery (if bought online), at no additional cost.

To make a claim under this guarantee, you must present your proof of purchase (such as a sales receipt, purchase invoice or other evidence admissible under applicable law), please keep your proof of purchase in a safe place. For this guarantee to apply, the product you purchased must be new, it will not apply to second hand or display products. Unless stated otherwise by applicable law, any replacement product issued under this guarantee will only be guaranteed until expiry of the original guarantee period.

This guarantee covers product failures and malfunctions provided the product was used for the purpose for which it is intended and subject to installation, cleaning, care and maintenance in accordance with the information contained in these terms and conditions, in the user manual and standard practice, provided that standard practice does not conflict with the user manual.

This guarantee does not cover defects and damage caused by normal wear and tear or damage that could be the result of improper use, faulty installation or assembly, neglect, accident, misuse, or modification of the product. Unless stated otherwise by applicable law, this guarantee will not cover, in any case, ancillary costs (shipping, movement, costs of uninstalling and reinstalling, labour etc), or direct and indirect damage. This guarantee does not cover defects and damage caused by or resulting from:

- Normal wear and tear
- Overload, misuse or neglect
- Repairs attempted by anyone other than an authorised agent
- Cosmetic damage
- Damage caused by foreign objects, substances or accidents
- Accidental damage or modification
- Failure to follow manufacturer's guidelines
- Loss of use of the goods

If the product is defective, we will, within a reasonable time, repair or replace it. Rights under this guarantee are enforceable in the country in which you purchased this product. Guarantee related queries should be addressed to the store you purchased this product from.

The guarantee is in addition to and does not affect your statutory rights.

GB

EU Declaration of Conformity

We,

Onninen Oy

Address: Satamakatu 3, FI-00160, Helsinki, Finland

Telephone: +358-10 53032

declare under our sole responsibility that the following product

Equipment: Circulation Pump

Brand name: OPAL

Model/type: DFM886/ARP25-60/180

is in conformity with the

Low Voltage Directive (LVD) 2014/35/EU

Electromagnetic Compatibility Directive (EMC) 2014/30/EU

RoHS 2011/65/EU Annex II&(EU) 2015/863

and the following harmonized standards and technical specifications have been applied:

LVD:

EN 60335-1:2012+A11+A13+A1+A14+A2+A15

EN 60335-2-51:2003+A1+A2

EN 62233:2008

EMC:

EN IEC 55014-1:2021

EN IEC 55014-2:2021

EN IEC 61000-3-2:2019+A1

EN 61000-3-3:2013+A1+A2

Helsinki, Finland, October 30th, 2024

Kesko Corporation Group Companies



Ville Särkilahti - General Manager

Turvallisuustietoja (FI)

Yleiset turvavaroitukset

- Tätä laitetta voivat käyttää vähintään 8-vuotiaat lapset sekä henkilöt, joiden fyysiset, aistilliset tai henkiset kyvyt ovat heikentyneet tai joilla ei ole kokemusta ja tietoja, jos heitä valvotaan tai opastetaan laitteen turvallisesta käytöstä ja he ymmärtävät siihen liittyvät vaarat. Lapset eivät saa suorittaa siivousta ja käyttäjähuoltoa, elleivät he ole vähintään 8-vuotiaita ja ellei heitä valvota.
- Irrota laite aina sähköverkosta ennen laitteen kokoamista, purkamista tai puhdistamista.
- Laitteita voivat käyttää henkilöt, joiden fyysiset, sensoriset tai henkiset kyvyt ovat heikentyneet tai joilla ei ole riittävästi kokemusta tai tietoa, jos heitä valvotaan tai heitä on opastettu laitteen turvallisessa käytössä, ja jos he ymmärtävät siihen liittyvät vaarat.
- Älä anna lasten leikkiä laitteella.
- Pumppuja, joissa ei ole merkintää suojauksesta jäätymisen vaikutuksilta, ei saa jättää ulos pakkasella.
- Huomio! Valmistajan, valtuutetun huoltoedustajan tai muun pätevän henkilön on vaihdettava vaurioitunut virtajohto, jotta turvallisuusriski voidaan välttää.
- Tutustu laitteen toimintaan, säätöihin ja toimintoihin. Noudata turvallisuus- ja

käyttöohjeita mahdollisten riskien ja vaarojen välttämiseksi.

- Ota yhteyttä pätevään henkilöön tai jälleenmyyjään, jos sinulla on kysyttävää vielä käyttöohjeen lukemisen jälkeen.
- Säilytä käyttöopasta kaikkien käyttäjien saatavilla. Anna se mukaan myös silloin, kun annat tuotteen muiden käyttöön.
- Älä yritä muuttaa tuotetta millään tavalla. Käytä vain valmistajan suosittelemia lisälaitteita ja lisävarusteita.
- Käytä tuotetta vain tämän käyttöohjeen mukaisesti. Väärinkäyttö ja virheellinen käsittely aiheuttavat vaaraa ihmisille ja omaisuudelle.
- Älä käytä tuotetta, jos siinä on näkyviä vaurioita. Tarkista virtajohto, pistoke, kiinnitetyt letkut ja kotelo ennen jokaista käyttökertaa. Violliset tuotteet on korjattava tai hävitettävä asianmukaisesti.
- Irrota tuote virtalähteestä välittömästi, jos johto tai tuote on vaurioitunut tai jos se vikaantuu.
- Jätä tuotteen korjaus vain pätevän asiantuntijan tehtäväksi. Virheelliset korjaukset voivat aiheuttaa sähköiskuja tai muita onnettomuuksia.
- Irrota tuote virtalähteestä vetämällä pistokkeesta, ei virtajohdosta.
- Älä anna virtajohdon roikkua reunojen yli, äläkä purista tai taivuta sitä.

- Käytä jatkojohtoja, jotka vastaavat tämän tuotteen teknisiä vaatimuksia, jos jatkojohdon käyttö on välttämätöntä. Kun käytät tuotteita ulkona, käytä ulkokäyttöön soveltuvaa jatkojohtoa.

Pumpun turvallisuusvaroitukset

- Laite on asennettava kansallisten johdotusmääräysten mukaisesti.
- Virta pumppuun on syötettävä vikavirtasuojakytkimen kautta, jonka nimellinen laukaisuvirta on enintään 30 mA.
- Estä käyttö lapsilta asianmukaisin toimenpitein.
- Varmista, että pumppu ei ime merieläimiä (esim. kaloja).
- Muista, että nesteen pilaantuminen voi johtua voiteluaineiden vuotamisesta.
- Suojaa sähköliitännöitä ja johtoja kuumuudelta, öljyltä, teräviltä reunoilta ja kosteudelta.
- Suojaa pumppua pakkaselta ja kuivumiselta.
- Älä pumpkaa nesteitä, joissa on hiekkaa tai muita hankaavia aineita. Se lisää kulumista ja vähentää pumpun tehoa.
- Tuote on suunniteltu käytettäväksi kirkaassa vedessä, jossa veden sisältämien kiinteiden epäpuhtauksien koko on enintään 1 mm.
- Älä koskaan käytä pumppua, kun on olemassa pakkasvaara.

Hätäpalvelu

Tutustu tuotteen käyttöön tämän käyttöohjeen avulla. Opettele turvallisuusohjeet ulkoa ja noudata niitä kirjaimellisesti. Tämä auttaa ehkäisemään riskejä ja vaaroja.

1. Ole aina valppaana, kun käytät tätä tuotetta, jotta voit tunnistaa riskit ja käsitellä niitä ajoissa. Nopea toiminta voi estää vakavia loukkaantumisia ja omaisuusvahinkoja.
2. Irrota laite virtalähteestä, jos laitteessa ilmenee toimintahäiriöitä. Tarkastuta tuote pätevällä ammattilaisella ja korjaa tarvittaessa, ennen kuin käytät laitetta uudelleen.

Jäännösriskit

Vaikka käyttäisit tätä tuotetta kaikkien turvallisuusvaatimusten mukaisesti, loukkaantumis- ja vahingoittumisvaara on edelleen olemassa. Seuraavat vaarat voivat liittyä tämän tuotteen rakenteeseen ja malliin:

1. Tärinäpäästöistä johtuvat terveyshaitat, jos tuotetta käytetään pitkään tai jos sitä ei hoideta ja huolleta asianmukaisesti.
2. Loukkaantumiset ja omaisuusvahingot, jotka johtuvat kiinnikkeiden rikkoutumisesta tai piilossa olevien esineiden äkillisestä osumasta käytön aikana.
3. Lentävien esineiden aiheuttama loukkaantumis- ja omaisuusvahinkovaara.
4. Murtumisvaara.



VAROITUS! Tämä tuote tuottaa käytön aikana sähkömagneettisen kentän! Tämä kenttä voi joissakin olosuhteissa häiritä aktiivisia tai passiivisia lääketieteellisiä implantteja! Vähentääksesi vakavan tai kuolemaan johtavan loukkaantumisen riskiä, suosittelemme, että henkilöt, joilla on lääketieteellisiä implantteja, keskustelevat lääkärinsä ja implanttivalmistajan kanssa ennen tämän tuotteen käyttöä.

Johdanto

Lue ohjeet huolellisesti ennen tämän tuotteen käyttöä.

Valmistaja ei ota vastuuta mahdollisista vioista ja menetyksistä, jotka johtuvat tämän eritelmän määräysten noudattamatta jättämisestä. Pidä hyvää huolta kaikista asiakirjoista. Jos sinulla on kysyttävää, soita, lähetä

viesti tai ota muutoin yhteyttä paikalliseen jälleenmyyjään. Kaikki tässä käyttöohjeessa, kaaviossa ja teknisissä tiedoissa olevat tiedot on julkaistu viimeisimmissä tuotetiedoissa. Jatkuvasti päivitettävät tuotteet; jos löydät tyyppikilven parametrit ja ne eroavat näistä ohjeista, etusijalle asetetaan tyyppikilven tiedot.

1. Yleiskuvaus

ARP-kiertovesipumppu on tarkoitettu veden kierrättämiseen lämmitysjärjestelmissä ja käyttövesijärjestelmissä. ARP-kiertovesipumpussa on kestopagneettimoottori ja taajuusmuunnossäädin, jolla pumpun suorituskykyä voidaan säätää jatkuvasti järjestelmän todellisten vaatimusten mukaan. ARP-kiertovesipumpussa on käyttäjäystävällinen ohjauspaneeli.

ARP-kiertovesipumpun asentaminen ja käynnistäminen on helppoa. AUTO-toiminnon (tehdasasetus) ansiosta pumppu voidaan useimmissa tapauksissa käynnistää ilman asetusten tekemistä. Matala energiankulutus verrattuna perinteisiin kiertovesipumppuihin. EEI-pumppu' 0,23.

2. Käyttökohteet

2.1 Pumpattavat nesteet

Puhtaat, ohuet, ei-aggressiiviset ja räjähtämättömät nesteet, jotka eivät sisällä kiinteitä hiukkasia, kuituja tai mineraaliöljyjä. Lämmitysjärjestelmissä veden on täytettävä lämmitysjärjestelmien veden laatua koskevien hyväksytyjen standardien vaatimukset.



Varoitus

Pumppua ei saa käyttää palavien nesteiden, kuten dieselöljyn, bensiinin ja vastaavien nesteiden siirtämiseen.

2.2 Järjestelmän paine

Enintään 1,0 MPa (10 baaria).

2.3 Kotelointiluokka

IP 42.

2.4 Sisääntulopaine

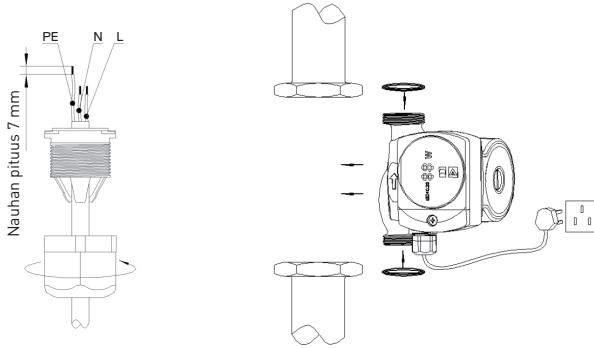
Taulukko 1 Vähimmäissyöttöpaine suhteessa nesteen lämpötilaan

Nesteen lämpötila	Vähimmäissyöttöpaine	
	MPa	Laippa
75 °C	0,005	0,05
90 °C	0,028	0,28
110 °C	0,108	1,08

3. Sähköliitäntä



Ellei sähköä ole katkaistu, älä avaa kytkentäkoteloa johdotustöitä varten.
Pumppu on maadoitettava.
Pumppu on kytkettävä ulkoiseen verkkokytkimeen.



Sähkökytkennät ja suojaus on tehtävä paikallisten määräysten mukaisesti. Tarkista, että syöttöjännite ja -taajuus vastaavat pumpussa ilmoitettuja arvoja.

Jos pumpun työtila on kaukana virtalähteestä, virtajohdon on oltava oikeanlainen. Muutoin jännite vaikuttaa pumpun normaaliin toimintaan. Jos pumppua käytetään ulkotiloissa, virtajohdossa on käytettävä laadukasta kumipintaista kaapelia.

4. Säädinpaneeli

4.1 Ohjauspaneelin elementit

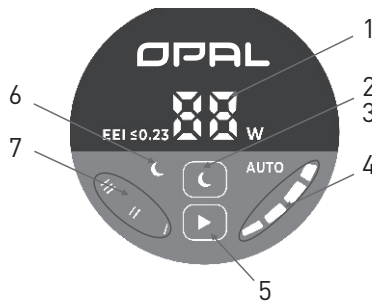


Fig.1 ARP-ohjauspaneeli

Taulukko 2 Ohjauspaneelin elementit

Pos.	Kuvaus
1	Näyttö, joka esittää pumpun todellisen tehonkulutuksen watteina
2	Painike Night SetBackin aktivoimiseksi
3	Autokäyttö valo

4	proportionaalipaine- ja vakiopainevalo
5	Pumpun asetusvalinnan painonappi
6	Nopeus III, II, I -tilan valo
7	Night SetBack -valo

4.2 Näyttöpaneeli

Näyttö, pos. 1, on päällä, kun sähkö on kytketty päälle.

Näytössä näkyy pumpun todellinen tehonkulutus watteina (kokonaisluku) käytön aikana.

Kun vika ilmenee pumpun ollessa käynnissä, pumppu lakkaa välittömästi toimimasta, näyttöpaneelissa näkyy vikakoodi, ja pumppu käynnistyy uudelleen 30 sekunnin kuluttua. Vikakoodit esitetään taulukossa 3.

Taulukko 3 Vikakoodi

Vikakoodi	Nimi	Kuvaus
P0	Moduulin suojaus	IPM-moduulin vika tai ylivirtasuojaus
P1	Jännitevirhe	Jännite on liian matala tai liian korkea (yli 380 V tai alle 120 V)
P2	Käynnistys epäonnistui	Moottori juuttunut tai ei toimi
P3	Vaihesuojaus	Moottorin kaapelia ei ole kytketty
P6	Pysähtymissuojaus	Moottori ei toimi ulkoisista syistä johtuvan synkronisen toiminnan vuoksi
P9	Ylivirtasuojaus	Kuormitus on liian suuri
E5	EEPROM-virhe	Ulkoisen muistin vika

4.3 Pumpun asetusvalinnan painonappi

Katso aina painiketta painaessa kuva 1, pos. 5, niin pumpun asetusta muutetaan. Jakso on kahdeksan painikkeen painallusta. Katso kuva 2

Autokäyttö
PP1, matalin suhteellinen painekäyrätila
PP2, korkein suhteellinen painekäyrätila
CP1, matalin vakiopainekäyrätila
CP2, korkein vakiopainekäyrätila
I Vakiokäyrä, nopeus I-tila
II Vakiokäyrä, nopeus II-tila
III Vakiokäyrä, nopeus III-tila

Fig.2 Pumpun asetusvalinnan painonappi

4.4 Valaisimet

Vaaleat alueet vastaavat seuraavia:

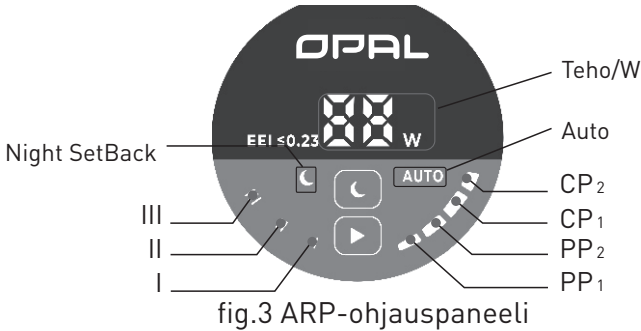


fig.3 ARP-ohjauspaneeli

4.5 Painike Night SetBackin aktivoimiseksi  ks. kuva 1, pos.5, **Painike Night SetBackin aktivoimiseksi** Kun yötila on aktivoitu, valo ( katso kuva 3) syttyy.

5. Pumpun asetukset

5.1 Pumpun asetukset järjestelmätyypeittäin

Suosittelvat ja vaihtoehtoiset pumppuasetukset taulukon 4 mukaisesti.

Taulukko 4 Pumpun asetukset järjestelmätyypeittäin

Järjestelmän tyyppi	Pumpun asetus	
	Suositteltu	Vaihtoehto
Lattialämmitys	Auto	Korkein vakiopainekäyrämoodi (CP ₂) tai alin vakiopainekäyrämoodi (CP ₁)
Kaksiputkijärjestelmät	Auto	Korkein suhteellinen painekäyrätila (PP ₂)
Yksiputkijärjestelmät	Alin suhteellinen painekäyrätila (PP ₁)	Korkein suhteellinen painekäyrätila (PP ₂)

5.2 Pumpun ohjaus

Toiminnan aikana pumpun painekorkeutta ohjataan ”proportionaalisen paineohjauksen” (PP) tai ”vakiopaineohjauksen” (CP) periaatteella. Proportionaalinen paineohjaus Tässä ohjaustilassa pumpun paine-eroja ohjataan virtauksen mukaan.

Vakiopaineohjaus Tässä ohjaustilassa pumpun vallitsevat paine-erot pysyvät vakiona virtauksesta riippumatta.

6. Night SetBack

Aktivoi Night SetBack painamalla painiketta. Vapauta painike odottamisen jälkeen. Merkkivalo syttyy ja Night SetBack aktivoituu.

7. Käynnistys

Älä käynnistä pumppua ennen kuin järjestelmä on täytetty nesteellä ja

tuuletettu. Pumpun sisääntulossa on oltava vaadittu vähimmäissyöttöpaine. Pumpussa oleva ilma voi aiheuttaa melua. Tämä ääni lakkaa muutaman minuutin käytön jälkeen. Pumpun nopea tuuletus voidaan tehdä asettamalla pumppu nopeudelle III lyhyeksi ajaksi järjestelmän koosta ja rakenteesta riippuen.

Kun pumppu on tuuletettu, eli kun melu on lakannut, tee asetukset pumpun suositusten mukaisesti.

8. Pumpun asetuksen ja pumpun suorituskyvyn välinen suhde

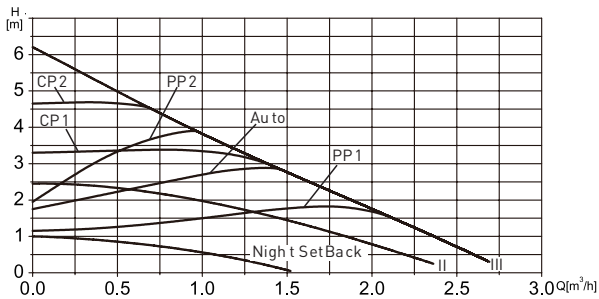



Fig.4 ARP-suorituskyvykäyrät

Taulukko 5 Pumpun asetuksen ja pumpun suorituskyvyn välinen suhde

Säätö	Pumpun käyrä	Toiminto
Auto	Korkeimmasta alimpaan suhteellista painetta kuvaava käyrä	ARP ohjaa AUTO-toiminnon avulla pumpun suorituskykyä automaattisesti määritellyn suorituskykyalueen sisällä, jolloin pumpun suorituskyky mukautuu ajan mittaan tapahtuviin kuormituksen vaihteluihin. AUTO-asennossa pumppu on asetettu proportionaalipainesäätöön.
PP1	Alin suhteellinen painekäyrä	Pumpun toimintapiste siirtyy ylös- tai alaspäin alimmalla suhteellisella painekäyrällä vedentarpeen mukaan. Vedenkorkeus (paine) pienenee vedentarpeen laskiessa ja kasvaa vedentarpeen kasvaessa.
PP2	Korkein suhteellinen painekäyrä	Pumpun toimintapiste siirtyy ylös- tai alaspäin korkeimmalla suhteellisella painekäyrällä vedentarpeen mukaan. Vedenkorkeus (paine) pienenee vedentarpeen laskiessa ja kasvaa vedentarpeen kasvaessa.
CP1	Alin vakioapaineen käyrä	Pumpun toimintapiste siirtyy ulos tai sisään alimmalla vakioapainekäyrällä järjestelmän vedentarpeen mukaan. Vedenkorkeus (paine) pysyy vakiona vedentarpeesta riippumatta.
CP2	Korkein vakioapaineen käyrä	Pumpun toimintapiste siirtyy ulos tai sisään korkeimmalla vakioapainekäyrällä järjestelmän vedentarpeen mukaan. Vedenkorkeus (paine) pysyy vakiona vedentarpeesta riippumatta.
III	Nopeus III	ARP käy vakionopeudella ja siten vakioikäyrällä. Nopeudella III pumppu on asetettu toimimaan maksimikäyrällä kaikissa käyttöolosuhteissa. Pumpun nopea tuuletus aktivoidaan asettamalla pumppu III-nopeudelle lyhyeksi ajaksi.

II	Nopeus II	ARP käy vakionopeudella ja siten vakiokäyrällä. II-nopeudella pumppu on asetettu toimimaan keskikäyrällä kaikissa käyttöolosuhteissa.
I	Nopeus I	ARP käy vakionopeudella ja siten vakiokäyrällä. I-nopeudella pumppu on asetettu toimimaan väh. käyrällä kaikissa käyttöolosuhteissa.
	Night SetBack	ARP muuttuu Night SetBack -käyrälle eli absoluuttiselle vähimmäissuorituskyvyllä ja -virrankulutuksella, jos tietyt ehdot täyttyvät.

9. Vianmäärityskaavio



Korjaa pumppu virran katkaisemisen jälkeen

Taulukko 6 Vianmäärityskaavio

Vika	Syy	Ratkaisu
Moottori ei käy	Yksi sulakkeista on palanut.	Vaihda varoke
	Moottori jumissa.	Moottorin kiertäminen ruuvimeisselillä.
	Pumppu on tukossa.	Poista epäpuhtaudet.
	Sähkökatkos. Saattaa olla liian matala.	Tarkista, että sähkönsyöttö kuuluu määritellylle alueelle.
	Kondensaattori vaurioitunut.	Vaihda kondensaattori.
Moottorin normaali toiminta, pumppu ei pumppaa vettä	Ilma vesiputkessa.	Korjaa vesijohto.
	Sisäänkäynti roskien kanssa	Tyhjennä roskat
Järjestelmän melu	Virtaus on liian suuri.	Vähennä imupäätä.
	Järjestelmässä on ilmaa.	Tuuleta järjestelmä.
Pumpun melu	Pumpussa on ilmaa.	Tuuleta pumppu.
	Myös tulopaine on liian korkea.	Nosta tulopaineita.
Huomautus: Taulukossa 3 esitetään vikakoodinäyttö		

10. Tekniset tiedot ja asennusmitat

10.1 Tekniset tiedot

Taulukko 7 Tekniset tiedot

Syöttöjännite	(220~240V) ± 5%
Taajuus	50Hz ± 1%
Kotelointiluokka	IP42
Eristysluokka	H
Ilman suhteellinen kosteus	Enintään 95 %
Järjestelmän paine	Enintään 1,0 MPa, 10 baaria, 102 m korkeusero

Sisääntulopaine	Nesteen lämpötila	Vähimmäissyöttöpaine
	≤75°C	0,05 bar / 0,005 Mpa / 0,5 m vedenpinnan yläpuolella
	+90°C	0,28 bar / 0,028 Mpa / 2,8 m vedenpinnan korkeus
	+110°C	1,08 bar / 0,108 Mpa / 10,8 m korkeus merenpinnasta
Nesteen lämpötila	2°C~110°C	
Ympäristön lämpötila	0°C~40°C	
Lämpötilaluokka	TF110	
PH	6~9	

Ohjauskoteloon ja staattoriin tiivistymisen välttämiseksi nesteen lämpötilan on aina oltava korkeampi kuin ympäristön lämpötila. Katso taulukko 8.

Taulukko 8 Ympäristön lämpötilan ja nesteen lämpötilan välinen suhde

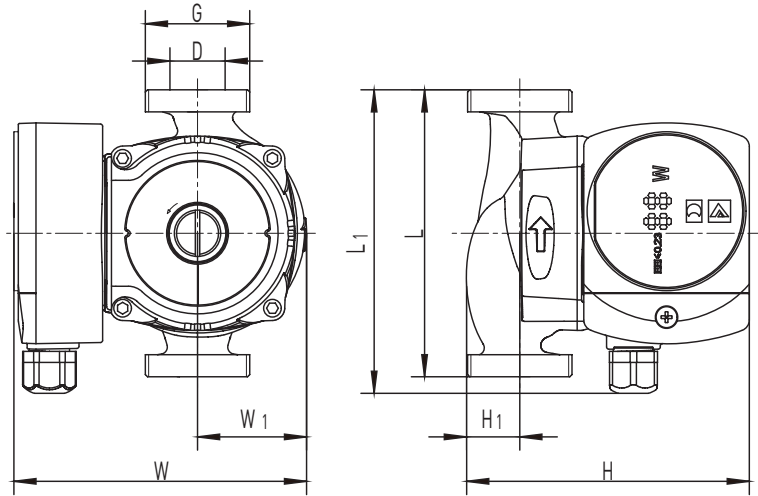
ympäristön lämpötila (°C)	nesteen lämpötila (°C)	
	Min.	Maks.
0	2	110
10	10	110
20	20	110
30	30	110
35	35	90
40	40	70

Käyttövesijärjestelmissä suositellaan, että nesteen lämpötila pidetään alle 65 °C:ssa kalkin saostumisriskin välttämiseksi.

Taulukko 9 ARP Tekniset tiedot

Pumpputyyppi	Maksimi- virtaus m ³ /h	Maks. pää m	Nimellis- virtaama m ³ /h	Nimelli- skorkeus m	Ottoteho W	kaliiperi mm	EEl	Putkisto
DFM886 (ARP25-60/180)	2.7	6.0	1.4	3.5	45	Ø25	≤0.23	G1×G1

10.2 Asennusmitat



Taulukko 10 ARP Asennusmitat

Malli	P (mm)	L (mm)	K (mm)	P1 (mm)	L1 (mm)	K1 (mm)	G	Halk. (mm)
DFM886 (ARP25-60/180)	180	135	130	165	50	25	G1.5	Ø25

11. Suorituskykykäyrät

Seuraavilla sivuilla esitetyjä käyriä koskevat seuraavat ohjeet:

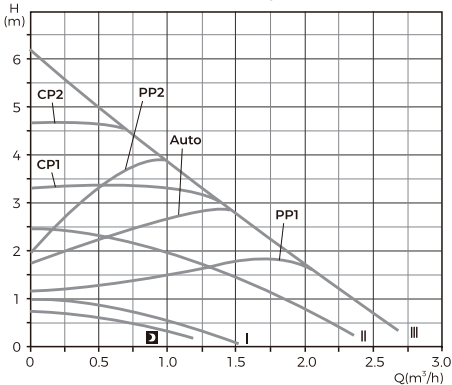
Testineste: Ilmaton vesi.s

Kaikki käyrät ovat keskiarvoja, eikä niitä pidä käyttää takuukäyrinä.

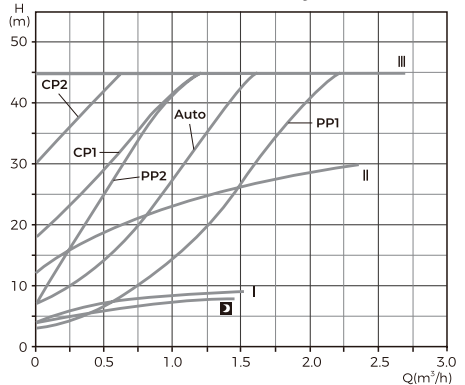
Jos vaaditaan tiettyä vähimmäissuorituskykyä, on tehtävä yksittäisiä mittauksia.

Nopeuksien I, II ja III käyrät on merkitty.

Selitä: ARPXX-60-käyrät (Q-H, Q-P1) koskevat seuraavia malleja:



ARPXX-60 Q-H



ARPXX-60 Q-P1

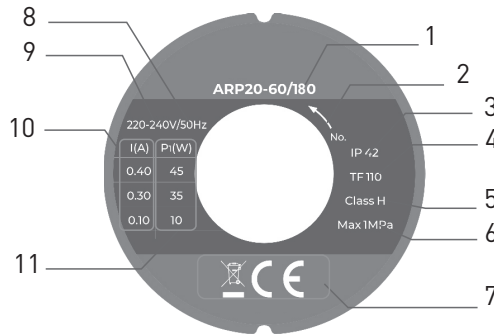
12. Malli ja tyyppikilpi

12.1 Malli

ARP 25 – 60 X / 180

- Sisään- ja ulostulon välinen etäisyys (mm)
- Ei tunnistetietoja=Valurautainen pumpun runko
- B=Pumppurunko pronssia
- P=Muovinen pumpun runko
- Maksimipää (halk.)
- Sisääntulon / ulostulon halkaisija (mm)
- LEO ARP Kiertovesipumppu

12.2 Tyyppikilpi

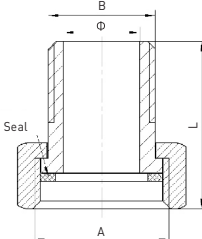

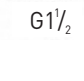


Taulukko 11 ARP-tyypikilpi

Pos.	Kuvaus	Pos.	Kuvaus
1	Pumpputyyppe	9	Taajuus (Hz)
2	Juoksupyörän pyörimissuunta	10	Nopeus III virta, I(A)
3	Kotelointiluokka		Nopeus II virta, I(A)
4	Lämpötilaluokka		Nopeus I virta, I(A)
5	Eristysluokka	11	Nopeus III, Suurin syöttöteho, P1 (W)
6	Järjestelmän enimmäispaine		Nopeus II, Suurin syöttöteho, P1 (W)
7	CE		Nopeus I, Suurin syöttöteho, P1 (W)
8	Syöttöjännite		

13. Lisävarusteet (valinnainen)

Taulukko 12 putkiliitos

Pumpun tyyppi	Esimerkki	Kuva	A	B	Φ	L
DFM886 (ARP25-60/180)		 G1"  G1 1/2	G11/2	G1	Φ41	36

14. Puhdista ja ylläpidä

Normaaleissa käyttöolosuhteissa pumppu on huoltovapaa, mutta on suositeltavaa pitää veden laatu puhtaana.

Jos on olemassa jäätymisvaurion vaara, sulje tuloventtiili ja avaa poistoventtiili. Tyhjennä vesi.

Kesällä tai jos ympäristön lämpötila on korkea, kiinnitä huomiota ilmanvaihtoon.



Yliviivatun roska-astiasymbolin merkitys:

Älä hävitä sähkölaitteita sekajätteenä, vaan käytä erillisiä keräyspisteitä. Ota yhteyttä paikallishallintoon saadaksesi tietoa käytettävissä olevista keräysjärjestelmistä.

Jos sähkölaitteita hävitetään kaatopaikoille, vaarallisia aineita voi vuotaa pohjaveteen ja joutua sieltä ravintoketjuun vahingoittaen terveystäsi ja hyvinvointiasi.

Kun vaihdat vanhat laitteet uusiin, jälleenmyyjällä on lakisääteinen velvollisuus ottaa vanha laitteesi takaisin hävitettäväksi maksutta.

Takuu

Pidämme erityistä huolta korkealaatuisten materiaalien valinnasta ja käytämme valmistustekniikoita, joiden avulla voimme luoda tuotteita, joissa yhdistyvät muotoilu ja kestävyys. Tällä tuotteella (DFM886) on valmistajan 2 vuoden takuu valmistusvirheitä vastaan ostopäivästä (jos ostettu myymälästä) tai toimituspäivästä (jos ostettu verkosta) ilman lisäkustannuksia.

Tämän takuun mukaisen korvausvaatimuksen esittämiseksi sinun on

esitettävä ostotodistus (kuten myyntikuitti, ostolasku tai muu sovellettavan lain mukaan hyväksyttävä todiste), ja sinun on säilytettävä ostotodistusta turvallisessa paikassa. Jotta tämä takuu olisi voimassa, ostamasi tuotteen on oltava uusi. Takuu ei koske käytettyjä tai esittelytuotteita. Ellei sovellettavassa laissa toisin säädetä, tämän takuun nojalla myönnetylle korvaavalle tuotteelle myönnetään takuu vain alkuperäisen takuuajan päättymiseen saakka.

Tämä takuu kattaa tuotteen vikaantumiset ja toimintahäiriöt edellyttäen, että tuotetta on käytetty siihen tarkoitukseen, johon se on tarkoitettu, ja että se on asennettu, puhdistettu, hoidettu ja huollettu näissä ehdoissa, käyttöohjeessa ja vakiokäytännössä ilmoitettujen tietojen mukaisesti edellyttäen, ettei vakiokäytäntö ole ristiriidassa käyttöohjeen kanssa. Tämä takuu ei kata vikoja ja vaurioita, jotka johtuvat normaalista kulumisesta tai vahingoista, jotka voivat olla seurausta vääränlaisesta käytöstä, virheellisestä asennuksesta tai kokoonpanosta, laiminlyönnistä, onnettomuudesta, väärinkäytöstä tai tuotteen muuttamisesta. Ellei sovellettavassa lainsäädännössä toisin säädetä, tämä takuu ei missään tapauksessa kata liitännäiskustannuksia (kuljetus-, siirto-, purku- ja uudelleenasennuskustannuksia, työvoimakustannuksia jne.) eikä suoria tai välillisiä vahinkoja.

Tämä takuu ei kata vikoja ja vahinkoja, jotka ovat aiheutuneet tai johtuvat seuraavista:

- Normaali kuluminen
- Ylikuormitus, väärinkäyttö tai laiminlyönti
- Korjausyritykset, joita tekee muu kuin valtuutettu edustaja
- Kosmeettiset vauriot
- Vieraiden esineiden, aineiden tai vahinkojen aiheuttamat vauriot.
- Tahaton vaurioituminen tai muuttaminen
- Valmistajan ohjeiden noudattamatta jättäminen
- Tavaroiden käytön menetykset

Jos tuote on viallinen, korjaamme tai vaihdamme sen kohtuullisen ajan kuluessa. Tämän takuun mukaiset oikeudet ovat täytäntöönpanokelpoisia siinä maassa, josta olet ostanut tämän tuotteen. Takuuseen liittyvät kysymykset on osoitettava myymälälle, josta ostit tämän tuotteen. Takuu täydentää lakisääteisiä oikeuksiasi eikä vaikuta niihin.

FI

EY-vaatimustenmukaisuusvakuutus

Me,

Onninen Oy

Osoite: Satamakatu 3, FI-00160, Helsinki, Finland

Puhelin: +358-10 53032

takaamme ja vakuutamme, että tämä tuote

Laitte: Kiertovesipumppu

Tuotenimi: OPAL

Malli/tyyppi: DFM886/ARP25-60/180

on

Low Voltage Directive (LVD) 2014/35/EU,
sähkömagneettisen yhteensopivuuden direktiivin (EMC) 2014/30/EY,
RoHS 2011/65/EU Annex II&(EU) 2015/863

säännösten mukainen ja että seuraavia harmonisoituja standardeja ja teknisiä erittelyjä on sovellettu:

LVD:

EN 60335-1:2012+A11+A13+A1+A14+A2+A15

EN 60335-2-51:2003+A1+A2

EN 62233:2008

EMC:

EN IEC 55014-1:2021

EN IEC 55014-2:2021

EN IEC 61000-3-2:2019+A1

EN 61000-3-3:2013+A1+A2

Helsinki, Finland, October 30th, 2024
Kesko Corporation Group Companies



Ville Särkilähti - General Manager

Säkerhetsinformation (SE)

Allmänna säkerhetsvarningar

- Denna utrustning får användas av barn som är 8 år eller äldre och personer med nedsatt fysisk, sensorisk eller mental förmåga eller personer som saknar erfarenhet och kunskap om de övervakas eller har fått instruktioner om hur utrustningen ska användas på ett säkert sätt och de förstår riskerna med användningen. Rengöring och användarunderhåll får inte utföras av barn, såvida de inte är 8 år eller äldre och övervakas.
- Koppla alltid bort utrustningen från elnätet före montering, demontering eller rengöring.
- Utrustningen får användas av personer med nedsatt fysisk, sensorisk eller mental förmåga eller personer som saknar erfarenhet och kunskap om de övervakas eller har fått instruktioner om hur utrustningen ska användas på ett säkert sätt och de förstår riskerna med användningen.
- Barn får inte leka med utrustningen.
- Pumpar som saknar uppgift om att de är skyddade mot frysning får inte lämnas utomhus när det råder frostväder.
- Observera! Om nätkabeln är skadad måste den bytas ut av tillverkaren, dennes serviceombud eller motsvarande behöriga personer för att

undvika säkerhetsrisker.

- Bekanta dig med handhavande, justering och funktioner. Följ säkerhets- och bruksanvisningarna för att undvika möjliga risker och faror.
- Kontakta en behörig person eller din återförsäljare om du har frågor efter att ha läst bruksanvisningen.
- Förvara bruksanvisningen så att den är tillgänglig för alla användare. Lämna också med den om du ger produkten till någon annan.
- Försök inte att modifiera produkten på något sätt. Använd endast de redskap och tillbehör som rekommenderas av tillverkaren.
- Använd produkten enbart i enlighet med denna bruksanvisning. Felaktig användning och hantering kan leda till fara för människor och egendom.
- Använd inte produkten om det finns synliga skador. Kontrollera nätkabel, stickpropp, slangar och hölje före varje användningstillfälle. Skadade produkter måste repareras eller kasseras på rätt sätt.
- Koppla omedelbart bort produkten från strömförsörjningen om sladden eller produkten är skadad eller om ett fel uppstår.
- Låt endast en behörig specialist reparera produkten. Felaktiga reparationer kan leda till

elektriska stötar eller andra olyckor.

- Dra i kontakten i stället för i nätkabeln för att koppla bort produkten från strömförsörjningen.
- Kläm eller böj den inte nätkabeln, och låt den inte hänga över kanter.
- Använd förlängningsladdar som uppfyller de tekniska kraven för denna produkt om du måste använda en förlängningsladd. När du använder produkter utomhus ska du använda en förlängningsladd som är lämplig för utomhusbruk.

Säkerhetsvarningar för pumpen

- Utrustningen ska installeras i enlighet med gällande nationella regler för elinstallationer.
- Pumpen ska försörjas med ström via en jordfelsbrytare (RCD) med en brytströmstyrka som inte överstiger 30 mA.
- Förhindra med lämpliga åtgärder att barn får tillgång till utrustningen.
- Se till att inga vattendjur (t.ex. fiskar) suggs upp av pumpen.
- Tänk på att förorening av vätskan kan uppstå på grund av läckage av smörjmedel.
- Skydda elanslutningar och sladdar mot värme, olja, vassa kanter och fukt.
- Skydda pumpen mot frost och torrkörning.
- Pumpa inte vätskor med sand eller andra

frätande ämnen. Det orsakar ökat slitage och minskar pumpens effekt.

- Pumpen är konstruerad för rent vatten där suspenderade föroreningars diameter inte överstiger 1 mm.
- Använd aldrig pumpen när det finns risk för frost.

Nödfall

Bekanta dig med användningen av denna produkt med hjälp av denna bruksanvisning. Lär dig säkerhetsanvisningarna utantill och följ dem till punkt och pricka. Detta bidrar till att förebygga risker och faror.

1. Var alltid uppmärksam när du använder denna produkt, så att du tidigt kan upptäcka och hantera risker. Ett snabbt ingripande kan förhindra allvarliga person- och egendomsskador.

2. Koppla från strömförsörjningen om det uppstår funktionsstörningar. Låt en behörig yrkeskunnig kontrollera produkten och vid behov reparera den innan du använder den igen.

Kvarstående risker

Även om du använder denna produkt i enlighet med alla säkerhetsföreskrifter, finns det fortfarande potentiell risk för person- och egendomsskador. Följande faror kan uppstå i samband med produktens konstruktion och utformning:

1. Hälsorisker till följd av vibrationer om produkten används under långa tidsperioder eller inte hanteras och underhålls på rätt sätt.

2. Person- och egendomsskador på grund av trasiga tillbehör eller plötsliga sammanstötningar med dolda föremål under användning.

3. Risk för person- och egendomsskador orsakade av flygande föremål.

4. Risk att produkten spricker.



WARNING! Denna produkt genererar ett elektromagnetiskt fält under drift! Detta fält kan under vissa omständigheter störa aktiva eller passiva medicinska implantat! För att minska risken för allvarliga eller dödliga skador rekommenderar vi att personer med medicinska

implantat rådgör med sin läkare och tillverkaren av det medicinska implantatet innan de använder denna produkt!

Förord

Läs instruktionerna noggrant innan du använder denna produkt. Tillverkaren tar inte på sig något ansvar för eventuella fel och förluster som uppstår på grund av bristande efterlevnad av anvisningarna om säkerhetsåtgärder i denna bruksanvisning. Ta väl hand om alla dokument. Om du har några frågor kontakter du din lokala återförsäljare per telefon eller skriftligen.

All information i denna bruksanvisning, figurer och specifikationer som publiceras i den senaste produktinformationen ska gälla. På grund av att produkterna ständigt uppdateras ska det på typskylten gälla om du upptäcker skillnader mellan parametrarna på typskylten och de i denna bruksanvisning.

1. Allmän beskrivning

Cirkulationspumpen ARP är konstruerad för cirkulation av vatten i värmesystem och tappvarmvattensystem. Cirkulationspumpen ARP har en permanentmagnetmotor och styrning av frekvensomvandling som möjliggör kontinuerlig justering av pumpens prestanda till de faktiska systemkraven. Cirkulationspumpen ARP har en användarvänlig styrpanel. Lätt att installera och starta cirkulationspumpen ARP. Tack vare AUTO-funktionen (fabriksinställning) kan pumpen i de flesta fall startas utan att några inställningar behöver göras. Låg energiförbrukning jämfört med konventionella cirkulationspumpar. Pump för EEI 0.23.

2. Användningsområden

2.1 Pumpade vätskor

Rena, tunna, icke-aggressiva och icke-explosiva vätskor, som inte innehåller fasta partiklar, fibrer eller mineralolja. I värmesystem ska vattnet uppfylla kraven i vedertagna standarder för vattenkvalitet i värmesystem.



Varning

Pumpen får inte användas för överföring av brandfarliga vätskor som dieselloja, bensin eller liknande vätskor.

2.2 Systemtryck

Maximalt 1,0 MPa (10 bar).

2.3 Kapslingsklass

IP 42.

2.4 Inloppstryck

Tabell 1 Minsta inloppstryck i förhållande till väsketemperaturen

Väsketemperatur	Minsta inloppstryck	
	MPa	Bar
75 °C	0,005	0,05
90 °C	0,028	0,28
110 °C	0,108	1,08

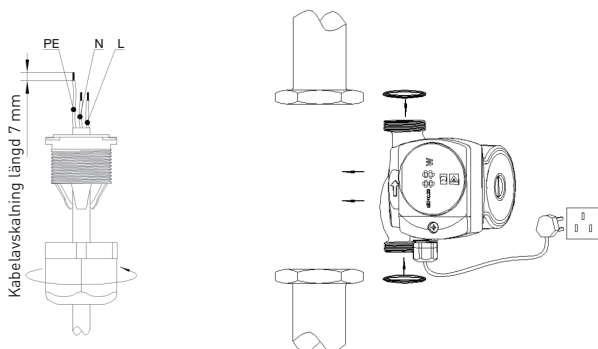
3. Elektrisk anslutning



Om inte strömmen har stängts av ska du inte använda kopplingsdosan för kabeldragningsarbeten.

Pumpen måste vara ansluten till jord.

Pumpen måste vara ansluten till en extern huvudströmbrytare.



De elektriska anslutningarna och skydden måste utföras i enlighet med lokala föreskrifter. Kontrollera att matningsspänning och frekvens överensstämmer med de värden som anges på pumpen.

Om pumpens driftställe ligger långt från strömuttaget måste strömkabeln vara lämplig, annars kommer det att påverka pumpens normala drift på grund av spänning.

Om pumpen används utomhus måste strömkabeln vara en professionell gummikabel.

4. Styrpanel

4.1 Element på styrpanelen

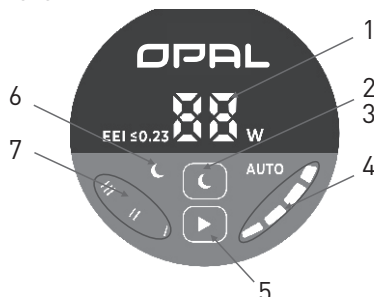


Fig.1 ARP styrpanel

Tabell 2 Element på styrpanelen

Plats	Beskrivning
1	Display som visar pumpens faktiska energiförbrukning i watt
2	Tryckknapp för aktivering av Night SetBack
3	Lampa för auto-läge
4	Lampa för läge med proportionellt tryck och konstant tryck
5	Tryckknapp för val av pumpinställning
6	Lämpa för läge med hastighet III, II, I
7	Lampa för Night SetBack

4.2 Display

Display, plats 1, är tänd när strömmen har slagits på

Displayen visar pumpens faktiska energiförbrukning i watt (heltal) under drift.

Under pumpens drift, när ett fel inträffar, slutar pumpen omedelbart att fungera, displayen visar felkod, pumpen startar om efter 30 sekunder.

Felkoderna visas i tabell 3.

Tabell 3 Felkod

Felkod	Namn	Beskrivning
P0	Modulsäkring	Fel i IPM-modul eller överströmsskydd
P1	Spänningsfel	Spänningen är för låg eller för hög (över 380 V eller under 120 V)
P2	Set gick inte att starta	Motorn är blockerad eller fungerar inte
P3	Fasskydd	Motorkabeln är inte ansluten
P6	Överbastningsskydd	Motorn kan inte fungera på grund av yttre orsaker synkron drift
P9	Överströmsskydd	Belastningen är för hög
E5	EEPROM-fel	Fel i externt minne

4.3 Tryckknapp för val av pumpinställning

Varje gång tryckknappen trycks in, se figur 1, plats 5, pumpinställningen ändras. En cykel är åtta knapptryckningar. Se figur 2

Auto-läge
PP1, lägsta läge med kurva för proportionellt tryck
PP2, högsta läge med kurva för proportionellt tryck
CP1, lägsta läge med kurva för proportionellt tryck
CP2, högsta läge med kurva för proportionellt tryck
I Konstant kurva, läge för hastighet I
II Konstant kurva, läge för hastighet II
III Konstant kurva, läge för hastighet III

Fig.2 Tryckknapp för val av pumpinställning

4.4 Lampor

Ljusa områden representeras enligt följande:

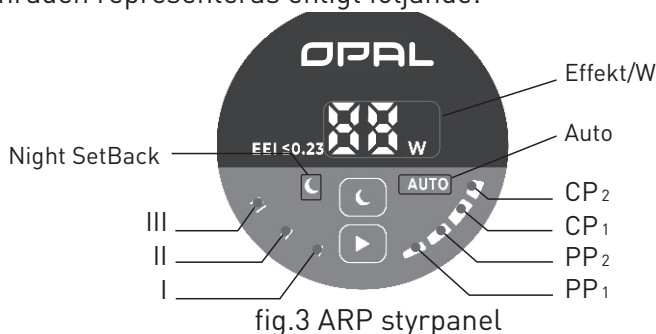




fig.3 ARP styrpanel

4.5 Tryckknapp för aktivering av Night SetBack  se figur 1, plats 5, Tryckknapp för aktivering av Night SetBack. När nattläget har aktiverats tänds lampan ( se figur 3).

5. Ställa in pumpen

5.1 Pumpinställning för systemtyp

Rekommenderade och alternativa pumpinställningar enligt tabell 4.

Tabell 4 Pumpinställning för systemtyp

Typ av system	Pumpinställning	
	Rekommenderas	Alternativ
Golvvärme	Auto	Läge med kurva för högsta konstanta tryck (CP2) eller kurva för lägsta konstanta tryck (CP1)
System med två rör	Auto	Läge med kurva för högsta proportionella tryck (PP2)
System med ett rör	Läge med kurva för lägsta proportionella tryck (PP1)	Läge med kurva för högsta proportionella tryck (PP2)

5.2 Pumpstyrning

Under drift styrs pumptrycket enligt principen "proportionell tryckreglering" (PP) eller "konstant tryckreglering" (CP).

Proportionell tryckreglering. I detta styrläge regleras differenstrycket

genom pumpen i förhållande till flödet.

Konstant tryckreglering. I detta styrläge upprätthålls ett konstant differensstryck genom pumpen, oberoende av flödet.

6. Night SetBack

Tryck på knappen för att aktivera Night SetBack, släpp knappen när indikatorlampan har tänts, pumpen är i Night SetBack.

7. Start

Starta inte pumpen förrän systemet har fyllts med vätska och luftats. Det erforderliga lägsta inloppstrycket måste finnas tillgängligt vid pumpens inlopp.

Luft i pumpen kan orsaka oljud. Detta oljud upphör efter några minuters körning. Snabb luftning av pumpen kan uppnås genom att ställa in pumpen på hastighet III under en kort tid, beroende på systemets storlek och utformning.

När pumpen har luftats, dvs. när oljudet har upphört, ska pumpen ställas in enligt rekommendationerna.

8. Förhållandet mellan pumpinställning och pumpens prestanda

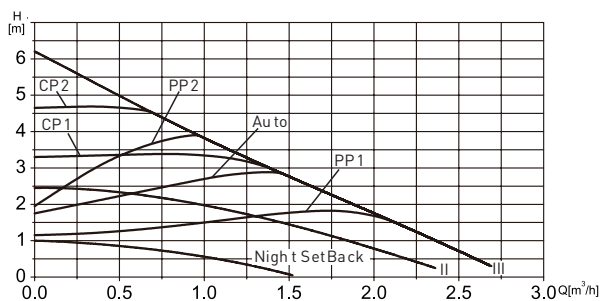



Fig.4 ARP Prestandakurvo

Tabell 5 Förhållandet mellan pumpinställning och pumpens prestanda

Inställning	Pumpkurva	Funktion
Auto	Högsta till lägsta kurva för proportionellt tryck	AUTO-funktionen gör att ARP kan styra pumpens prestanda automatiskt inom ett definierat prestandaområde och anpassa pumpens prestanda till belastningsvariationer över tid. I läge AUTO är pumpen inställd på proportionell tryckreglering.
PP1	Lägsta kurva för proportionellt tryck	Pumpens driftpunkt flyttas upp eller ner på kurvan för lägsta proportionella tryck, beroende på vattenbehovet. Uppfordringshöjden (trycket) minskar vid sjunkande vattenbehov och ökar vid stigande vattenbehov.
PP2	Kurva för högsta proportionella tryck	Pumpens driftpunkt flyttas upp eller ner på den lägsta kurvan för proportionellt tryck, beroende på vattenbehovet. Uppfordringshöjden (trycket) minskar vid sjunkande vattenbehov och ökar vid stigande vattenbehov.

CP1	Kurva för lägsta konstanta tryck	Pumpens driftpunkt flyttas ut eller in på kurvan för lägsta konstanta tryck, beroende på vattenbehovet i systemet. Uppfordringshöjden (trycket) hålls konstant, oavsett vattenbehovet.
CP2	Högsta kurva för konstant tryck	Pumpens driftpunkt flyttas ut eller in på den kurvan för högsta konstanta tryck, beroende på vattenbehovet i systemet. Uppfordringshöjden (trycket) hålls konstant, oavsett vattenbehovet.
III	Hastighet III	ARP körs i konstant hastighet och följaktligen på en konstant kurva. I hastighet III är pumpen inställd på att gå på maximumkurvan under alla driftförhållanden. Snabb luftning av pumpen kan uppnås genom att ställa in pumpen på hastighet III under en kort tid.
II	Hastighet II	ARP körs i konstant hastighet och följaktligen på en konstant kurva. I hastighet II är pumpen inställd för att köras på mediumkurvan under alla driftförhållanden.
I	Hastighet I	ARP körs i konstant hastighet och följaktligen på en konstant kurva. I hastighet I är pumpen inställd på att gå på minimikurvan under alla driftförhållanden.
	Night SetBack	ARP byter till kurvan för Night SetBack, dvs. absolut lägsta prestanda och strömförbrukning, förutsatt att vissa villkor är uppfyllda.

9. Felsökningsschema



Stäng av strömmen först innan pumpen repareras

Tabell 6 Felsökningsschema

Fel	Orsak	Lösning
Motorn går inte	En säkring i installationen har gått.	Byt ut säkringen.
	Motorn har kört fast.	Rotera rotorn med en skruvmejsel.
	Pumpen är blockerad.	Ta bort föroreningarna.
	Fel i elförsörjningen. Kan vara för låg.	Kontrollera att elförsörjningen ligger inom det angivna intervallet.
	Kondensatorn är skadad.	Byt ut kondensatorn.
Vid normal drift av motorn kan pumpen inte pumpa vatten	Luft i vattenledningen.	Reparera vattenledningen.
	Skräp i inloppet	Rensa bort skräpet
Oljud i systemet	Flödet är för högt.	Minska sugtrycket.
	Luft i systemet.	Lufta systemet.
Oljud i pumpen	Luft i pumpen.	Lufta pumpen.
	Inloppstrycket är för lågt.	Öka inloppstrycket.
Anmärkning: Felkoder visas i tabell 3		

10. Tekniska data och installationsmått

10.1 Tekniska data

Tabell 7 Tekniska data

Matningsspänning	(220~240V) ± 5%	
Frekvens	50Hz ± 1%	
Kapslingsklass	IP42	
Isoleringsklass	H	
Relativ luftfuktighet	Högst 95 %	
Systemtryck	Maximalt 1,0 MPa, 10 bar, 102 m uppfodringshöjd	
Inloppstryck	Vätsketemperatur	Minsta inloppstryck
	≤75°C	0,05 bar / 0,005 MPa / 0,5 m uppfodringshöjd
	+90°C	0,28 bar / 0,028 MPa / 2,8 m uppfodringshöjd
	+110°C	1,08 bar / 0,108 MPa / 10,8 m uppfodringshöjd
Vätsketemperatur	2°C~110°C	
Omgivningstemperatur	0°C~40°C	
Temperaturklass	TF110	
PH	6~9	

För att undvika kondens i styrbox och stator måste vätsketemperaturen alltid vara högre än omgivningstemperaturen. Se tabell 8.

Tabell 8 Förhållandet mellan omgivningstemperatur och vätsketemperatur

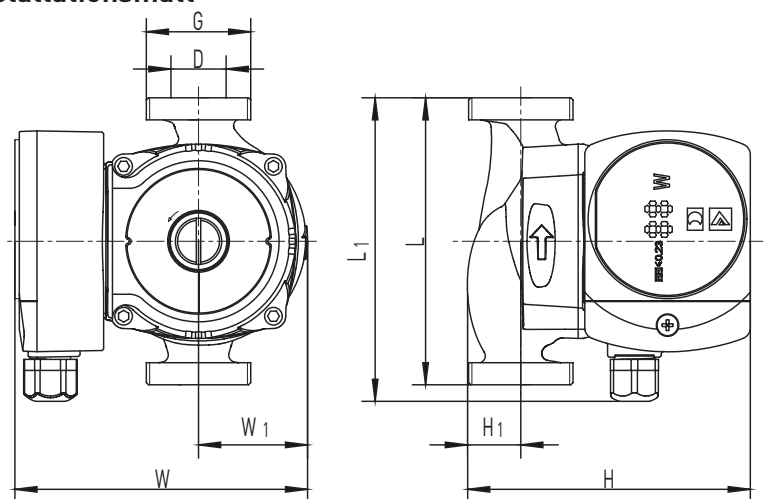
omgivningstemperatur [°C]	vätsketemperatur [°C]	
	Min.	Max.
0	2	110
10	10	110
20	20	110
30	30	110
35	35	90
40	40	70

I varmvattenssystem för hushållsbruk rekommenderas det att vätsketemperaturen hålls under 65 °C för att eliminera risken för kalkutfällning.

Tabell 9 ARP Tekniska data

Pumptyp	Max. flöde m ³ /h	Max. uppfodringshöjd m	Nominellt flöde m ³ /h	Nominell uppfodringshöjd m	Ingångseffekt W	kaliber mm	EI	Rörledning
DFM886 (ARP25-60/180)	2.7	6.0	1.4	3.5	45	Ø25	≤0.23	G1×G1

10.2 Installationsmått



Tabell 10 ARP Installationsmått

Modell	L(mm)	W(mm)	H(mm)	L1(mm)	W1(mm)	H1(mm)	G	D(mm)
DFM886 (ARP25-60/180)	180	135	130	165	50	25	G1.5	Ø25

11. Prestandakurvor

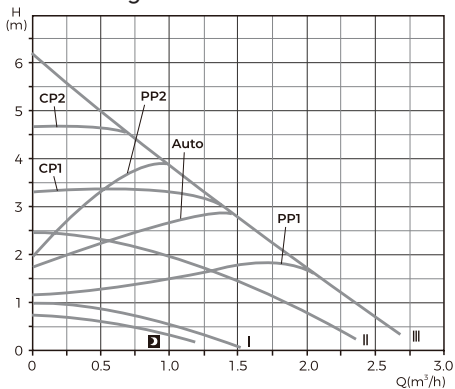
Riktlinjerna nedan gäller för kurvorna på de följande sidorna:

Testvätska: Luftfritt vatten.

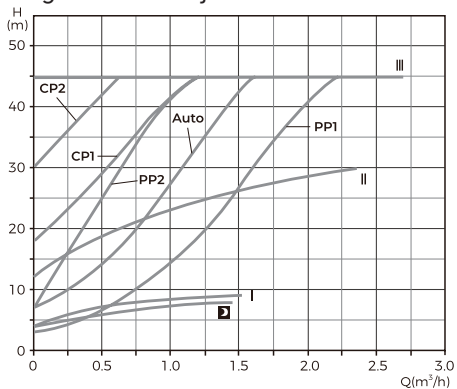
Alla kurvor visar medelvärden och ska inte användas som garanterade kurvor. Om en specifik minimiprestanda krävs måste individuella mätningar göras.

Kurvorna för hastigheterna I, II och III är markerade.

Förklaring: ARPXX-60-kurvor (Q-H, Q-P1) gäller för följande modeller:



ARPXX-60 Q-H

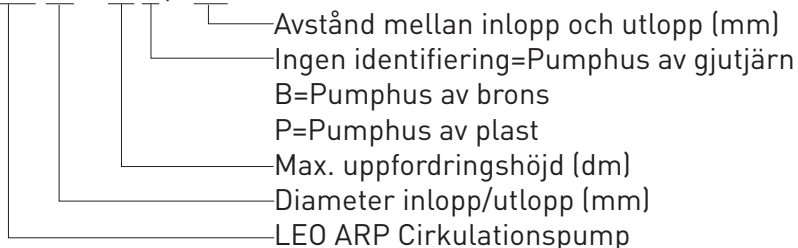


ARPXX-60 Q-P1

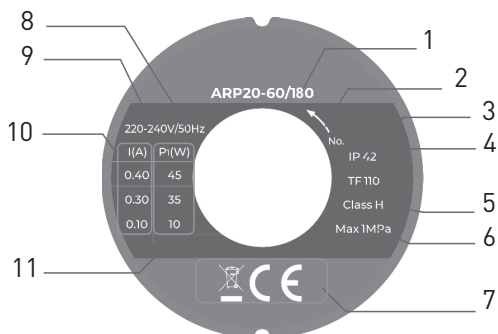
12. Modell och typskylt

12.1 Modell

ARP 25 - 60 X / 180



12.2 Typskylt

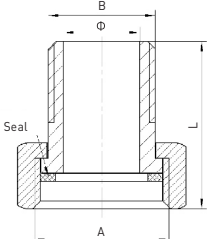

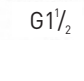


Tabell 11 ARP typskylt

Plats	Beskrivning	Plats	Beskrivning
1	Pumptyp	9	Frekvens (Hz)
2	Pumphjulets rotationsriktning	10	Hastighet III ström, I(A)
3	Kapslingsklass		Hastighet II ström, I(A)
4	Temperaturklass		Hastighet I ström, I(A)
5	Isoleringsklass	11	Hastighet III, Maximal ingångseffekt, P1(W)
6	Maximalt systemtryck		Hastighet II, maximal ingångseffekt, P1(W)
7	CE		Hastighet I, Maximal ingångseffekt, P1(W)
8	Matningsspänning		

13. Tillbehör (tillval)

Tabell 12 rörskarv

Typ av pump	Exempel	Bild	A	B	Φ	L
DFM886 (ARP25-60/180)		 G1"  G1 1/2	G11/2	G1	Φ41	36

14. Rengöring och underhåll

Under normala driftsförhållanden är pumpen underhållsfri, det rekommenderas att alltid hålla ren vattenkvalitet.

Om det finns risk för frysskador, stäng inloppsventilen och öppna utloppsventilen, töm ut vattnet.

På sommaren, eller om omgivningstemperaturen är hög, bör du vara uppmärksam på ventilationen.



Betydelse av överkorsad soptunna med hjul:

Kassera inte elektriska apparater som osorterat hushållsavfall, utan använd särskilda återvinningsanläggningar.

Kontakta din lokala myndighet för information om vilka återvinningsystem som finns tillgängliga.

Om elektriska apparater kasseras i deponier eller på soptippar, kan farliga ämnen läcka ut i grundvattnet och komma in i livsmedelskedjan, vilket kan skada din hälsa och ditt välbefinnande.

När du byter ut gammal utrustning mot ny är återförsäljaren enligt lag skyldig att kostnadsfritt ta emot din gamla utrustning för bortskaffande.

Garanti

Vi är noga med att välja material av hög kvalitet och använder tillverkningstekniker som gör det möjligt för oss att skapa produkter som förenar design och hållbarhet. Denna produkt (DFM886) har en tillverkargaranti på 2 år avseende tillverkningsfel, från inköpsdatum (om den köpts i butik) eller leveransdatum (om den köpts online), utan extra kostnad.

För att göra anspråk på denna garanti måste du visa upp ditt inköpsbevis (t.ex. ett kvitto, en inköpsfaktura eller annat bevis som är godkänt enligt tillämplig lag). Förvara ditt inköpsbevis på ett säkert ställe. För att denna garanti ska gälla måste produkten du köpt vara ny, den gäller inte för begagnade produkter eller demonstrationsexemplar. Om inte annat anges i tillämplig lag, kommer varje ersättningsprodukt som överlämnas enligt denna garanti endast att omfattas av garanti fram till utgången av den ursprungliga garantiperioden.

Denna garanti täcker produktfel och funktionsstörningar förutsatt att produkten har använts för det ändamål den är avsedd för och att installation, rengöring, skötsel och underhåll har utförts i enlighet med informationen i dessa villkor, i bruksanvisningen och enligt gängse praxis, förutsatt att gängse praxis inte står i strid med bruksanvisningen.

Denna garanti täcker inte defekter och skador som orsakas av normalt slitage eller skador som kan vara resultatet av felaktig användning, felaktig installation eller montering, försummelse, olycka, felaktig användning eller modifiering av produkten. Om inget annat finns i tillämplig lag omfattar denna garanti inte i något fall följdskostnader (frakt, flyttning, kostnader för borttagande eller återinstallation, arbete etc.) eller direkta och indirekta skador.

Denna garanti täcker inte defekter och skador som orsakas av eller är till följd av:

- Normalt slitage och förslitning
- Överbelastning, felaktig användning eller försummelse
- Reparationsförsök utförda av någon annan än ett auktoriserat ombud
- Kosmetiska skador
- Skador orsakade av främmande föremål, främmande ämnen eller olyckor
- Oavsiktlig skada eller modifiering
- Underlåtenhet att följa tillverkarens riktlinjer
- Förlust till följd av användning av varorna

Om produkten är defekt kommer vi inom rimlig tid att reparera eller byta ut den. Rättigheter enligt denna garanti kan göras gällande i det land där du köpte denna produkt. Garantirelaterade frågor ska ställas till den butik där du köpte produkten.

Garantin är ett tillägg till och påverkar inte dina lagstadgade rättigheter.

SE

EU-deklaration om överensstämmelse

Vi,

Onninen Oy

Adress: Satamakatu 3, FI-00160, Helsinki, Finland

Telefon: +358-10 53032

deklarerar under eget ansvar att följande product

Produkt: Cirkulationspump

Märkesnamn: OPAL

Modell/typ: DFM886/ARP25-60/180

överensstämmer med

Low Voltage Directive (LVD) 2014/35/EU,
direktiv om elektromagnetisk kompatibilitet (EMC) 2014/30/EG
RoHS 2011/65/EU Annex II&(EU) 2015/863

och att följande harmoniserade standarder och tekniska specifikationer har tillämpats:

LVD:

EN 60335-1:2012+A11+A13+A1+A14+A2+A15

EN 60335-2-51:2003+A1+A2

EN 62233:2008

EMC:

EN IEC 55014-1:2021

EN IEC 55014-2:2021

EN IEC 61000-3-2:2019+A1

EN 61000-3-3:2013+A1+A2

Helsinki, Finland, October 30th, 2024
Kesko Corporation Group Companies



Ville Särkilahti - General Manager

Sikkerhetsinformasjon (NO)

Generelle sikkerhetsadvarsler

- Dette apparatet kan brukes av barn fra 8 år og oppover og personer med reduserte fysiske, sensoriske eller mentale evner eller mangel på erfaring og kunnskap, gitt at de får tilsyn eller instruksjoner om bruk av apparatet på en sikker måte og forstår farene involvert. Rengjøring og brukervedlikehold skal ikke utføres av barn med mindre de er over 8 år og under oppsyn.
- Koble alltid apparatet fra strømforsyningen før montering, demontering eller rengjøring.
- Apparater kan brukes av personer med reduserte fysiske, sensoriske eller mentale evner eller manglende erfaring og kunnskap, gitt at de har fått veiledning eller instruksjon i hvordan apparatet skal brukes på en sikker måte, og at de forstår farene forbundet med bruken.
- Barn skal ikke leke med apparatet.
- Pumper som ikke er beskyttet mot frost, skal ikke etterlates utendørs når det er minusgrader.
- Obs! Hvis strømledningen er skadet, må den skiftes ut av produsenten, dennes serviceverksted eller tilsvarende kvalifiserte personer for å unngå sikkerhetsfare.
- Gjør deg kjent med betjening, justeringer og funksjoner. Følg sikkerhets- og

bruksanvisningene for å unngå mulige farer og risikoer.

- Kontakt en kvalifisert person eller forhandleren din hvis du har spørsmål etter å ha lest bruksanvisningen.
- Oppbevar bruksanvisningen slik at den er tilgjengelig for alle brukere. Gi den også videre når du gir produktet til andre.
- Ikke forsøk å modifisere produktet på noen måte. Bruk kun tilbehør som er anbefalt av produsenten.
- Bruk produktet kun i samsvar med denne bruksanvisningen. Misbruk og feil håndtering vil føre til fare for mennesker og eiendom.
- Ikke bruk produktet hvis det er synlige skader. Kontroller strømledningen, støpselet, tilkoblede slanger og kabinettet før hver bruk. Defekte produkter må repareres eller kasseres på riktig måte.
- Koble produktet fra strømforsyningen umiddelbart hvis ledningen eller produktet er skadet, eller hvis det oppstår en feil.
- Produktet må kun repareres av en kvalifisert fagperson. Feilaktige reparasjoner kan føre til elektrisk støt eller andre ulykker.
- Trekk i støpselet i stedet for i strømledningen for å koble produktet fra strømforsyningen.
- Ikke la strømledningen henge over kanter, og

ikke klem eller bøy den.

- Bruk skjøteledninger som oppfyller de tekniske kravene til dette produktet hvis bruk av skjøteledning er uunngåelig. Bruk en skjøteledning som er egnet for utendørs bruk når produktene brukes utendørs.

Advarsler om pumpesikkerhet

- Apparatet skal installeres i samsvar med nasjonale forskrifter om ledninger.
- Pumpen skal forsynes gjennom en reststrømsenhet (RCD) med nominell driftsstrøm som ikke overstiger 30 mA.
- Bruk egnede tiltak for å forhindre at barn får tilgang.
- Sørg for at ingen sjødyr (f.eks. fisk) suges opp av pumpen.
- Vær oppmerksom på at forurensning av væsken kan forekomme på grunn av lekkasje av smøremidler.
- Beskytt de elektriske tilkoblingene og ledningene mot varme, olje, skarpe kanter og fuktighet.
- Beskytt pumpen mot frost og tørrkjøring.
- Ikke pump væsker med sand eller andre slipende stoffer. Det fører til økt slitasje og reduserer pumpens ytelse.
- Produktet er designet for klart vann med en diameter på suspenderte urenheter som ikke

overstiger 1 mm.

- Bruk aldri pumpen når det er fare for frost.

Nødsituasjon


Gjør deg kjent med bruken av dette produktet ved hjelp av denne bruksanvisningen. Lær deg sikkerhetsanvisningene utenat og følg dem til punkt og prikke. Dette vil bidra til å forebygge risiko og farer.

1. Vær alltid på vakt når du bruker dette produktet, slik at du kan oppdage og håndtere risikoer tidlig. Rask inngripen kan forhindre alvorlige person- og eiendomsskader.
2. Koble fra strømforsyningen hvis det oppstår funksjonsfeil. Få produktet kontrollert av en kvalifisert fagperson og reparer det om nødvendig før du tar det i bruk igjen.

Restrisikoer

Selv om du bruker dette produktet i samsvar med alle sikkerhetskravene, er det fortsatt en potensiell risiko for skader på personer og eiendom. Følgende farer kan oppstå i forbindelse med dette produktets konstruksjon og design:

1. Helseeffekter som følge av vibrasjonsemissjon hvis produktet brukes over lengre tid eller ikke håndteres og vedlikeholdes på riktig måte.
2. Personskader og materielle skader på grunn av ødelagte festeanordninger eller plutselige sammenstøt med skjulte gjenstander under bruk.
3. Fare for personskader og materielle skader forårsaket av flygende gjenstander.
4. Risiko for sprengning.

 **ADVARSEL!** Dette produktet produserer et elektromagnetisk felt under drift! Dette feltet kan under visse omstendigheter forstyrre aktive eller passive medisinske implantater! For å redusere risikoen for alvorlige eller dødelige skader anbefaler vi at personer med medisinske implantater rådfører seg med legen sin og produsenten av det medisinske implantatet før de tar i bruk dette produktet!

Forord

Les instruksjonene nøye før du bruker dette produktet.

Produsenten påtar seg ikke noe ansvar for eventuelle feil og tap som skyldes manglende overholdelse av bestemmelsene i disse spesifikke forholdsreglene. Ta godt vare på alle dokumenter. Hvis du har spørsmål, kan du ringe eller kontakte den lokale forhandleren.

All informasjon i denne bruksanvisningen, diagrammer og spesifikasjoner som er publisert i den nyeste produktinformasjonen, er gjeldende. Disse produktene oppdateres konstant. Skulle du oppdage forskjell mellom typeskilt og disse instruksjonene, vil typeskiltet være gjeldende.

1. Generell beskrivelse

ARP-sirkulasjonspumpen er konstruert for sirkulasjon av vann i varmesystemer og varmtvannssystemer. ARP-sirkulasjonspumpen har en permanent magnetmotor og frekvensomformer som gjør det mulig å justere pumpens ytelse kontinuerlig i forhold til de faktiske systemkravene. ARP-sirkulasjonspumpen har et brukervennlig kontrollpanel. ARP-sirkulasjonspumpen er enkel å installere og starte. Takket være AUTO-funksjonen (fabrikkinnstilling) kan pumpen i de fleste tilfeller startes uten å foreta noen innstillinger. Lavt energiforbruk sammenlignet med konvensjonelle sirkulasjonspumper. Pumpen for EEI' 0.23.

2. Bruksområder

2.1 Pumpede væsker

Rene, tynne, ikke-aggressive og ikke-eksplosive væsker, som ikke inneholder faste partikler, fibre eller mineralolje. I varmesystemer skal vannet oppfylle kravene i anerkjente standarder for vannkvalitet i varmesystemer.



Advarsel

Pumpen må ikke brukes til overføring av brannfarlige væsker som diesel, bensin og lignende væsker.

2.2 Systemtrykk

Maksimalt 1,0 MPa (10 bar).

2.3 Kapslingsgrad

IP 42.

2.4 Innløpstrykk

Tabell 1 Minimum innløpstrykk i forhold til væsketemperatur

Væsketemperatur	Minimum innløpstrykk	
	Mpa	Bar
75°C	0.005	0.05
90°C	0.028	0.28
110°C	0.108	1.08

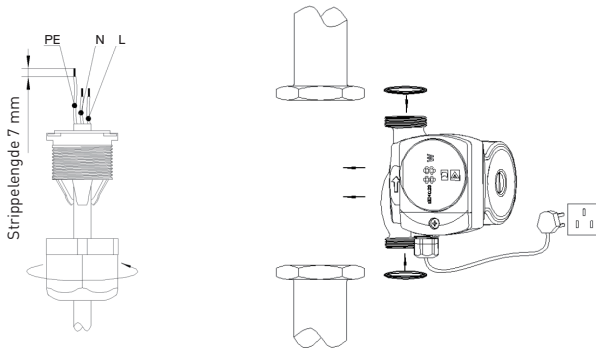
3. Elektriske tilkoblinger



Med mindre strømmen er slått av, må du ikke bruke koblingsboksen til ledningsarbeid.

Pumpen må være koblet til jord.

Pumpen må kobles til en ekstern nettbryter.



De elektriske tilkoblingene og beskyttelsen må utføres i henhold til lokale forskrifter. Kontroller at forsyningsspenningen og -frekvensen stemmer overens med verdiene som er angitt på pumpen.

Hvis pumpens arbeidsområde er langt unna strømforsyningen, bør strømkabelen være passende, ellers vil det påvirke pumpens normale drift på grunn av spenningen.

Hvis pumpen brukes utendørs, må strømkabelen være en profesjonell gummikabel.

4. Kontrollpanel

4.1 Elementer på kontrollpanelet

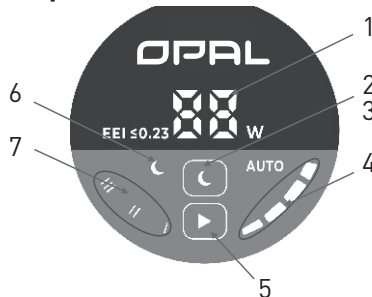


Fig.1 ARP-kontrollpanel

Tabell 2 Elementer på kontrollpanelet

Pos.	Beskrivelse
1	Displayet viser pumpens faktiske strømforbruk i watt
2	Trykknapp for aktivering av Night SetBack
3	Lys i automodus
4	lys i proporsjonaltrykks- og konstanttrykksmodus
5	Trykknapp for valg av pumpeinnstilling
6	Moduslys for hastighet III, II, I
7	SetBack-lys for natt

4.2 Skjermpanel

Displayet, pos. 1, er på når strømmen er slått på.

Displayet viser pumpens faktiske strømforbruk i watt (heltall) under drift. Når en feil oppstår under pumpekjøringen vil pumpen umiddelbart stoppe, displaypanelet viser feilkode, pumpen starter på nytt etter 30 sekunder.

Feilkodene er vist i tabell 3.

Tabell 3 Feilkode

Feilkode	Navn	Beskrivelse
P0	Modulbeskyttelse	IPM-modulfeil eller overstrømsvern
P1	Spenningsfeil	Spenningen er for lav eller for høy (mer enn 380V eller mindre enn 120V)
P2	Kunne ikke starte	Motor fastkjørt eller går ikke i gang
P3	Fasebeskyttelse	Motorkabel er ikke tilkoblet
P6	Beskyttelse mot overbelastning	Motoren kan ikke være synkronisert på grunn av eksterne årsaker
P9	Overspenningsvern	Belastning er for høy
E5	EEPROM-feil	Feil i eksternt minne

4.3 Trykknapp for valg av pumpeinnstilling

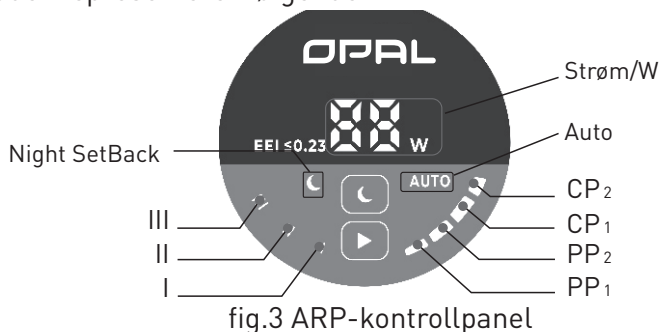
Hver gang trykknappen trykkes inn, se fig. 1, pos. 5, endres pumpeinnstillingen. En syklus består av åtte knappetrykk. Se fig. 2

Automatisk modus
PP1, laveste modus for proporsjonaltrykkskurve
PP2, høyeste modus for proporsjonaltrykkskurve
CP1, laveste modus for konstanttrykkskurve
CP2, høyeste modus for konstanttrykkskurve
I Konstantkurve, hastighet I-modus
II Konstantkurve, hastighet II-modus
III Konstantkurve, hastighet III-modus

Fig.2 Trykknapp for valg av pumpeinnstilling

4.4 Lys

Lysområder representerer følgende:



4.5 4.5 Trykknapp for aktivering av Night SetBack  se fig.1, pos.5, trykknapp for aktivering av Night SetBack, etter at nattmodus er aktivert vil lyset ( se fig. 3) tenne.

5. Innstilling av pumpen

5.1 Pumpeinnstilling for systemtype

Anbefalte og alternative pumpeinnstillinger i henhold til tabell 4.

Tabell 4 Pumpeinnstilling for systemtype

Systemtype	Pumpeinnstilling	
	Anbefales	Alternativ
Gulvvarme	Auto	Høyeste modus for konstanttrykkskurve (CP2) eller laveste modus for konstanttrykkskurve (CP1)
To-rørssystemer	Auto	Høyeste modus for proporsjonal trykkskurve (PP2)
Ett-rørssystemer	Laveste modus for proporsjonaltrykkskurve (PP1)	Høyeste modus for proporsjonal trykkskurve (PP2)

5.2 Pumpestyring

Under drift styres pumpehodet etter prinsippet

"proporsjonaltrykkregulering" (PP) eller "konstanttrykkregulering" (CP).

Proporsjonal trykkregulering I denne reguleringsmodusen reguleres differensialtrykket over pumpen i henhold til strømmen.

Konstanttrykkregulering I denne reguleringsmodusen opprettholdes et konstant differensialtrykk over pumpen, uavhengig av strømmen.

6. Night SetBack

Trykk på trykknappen for å aktivere Night SetBack, slipp trykknappen etter venting på indikatorlys, og gå inn i Night SetBack.

7. Oppstart

Ikke start pumpen før systemet er fylt med væske og utluftet. Det

nødvendige minimumstrykket må være tilgjengelig ved pumpens innløp. Luft i pumpen kan forårsake støy. Denne lyden opphører etter noen minutters kjøring. Rask utlufting av pumpen kan oppnås ved å sette pumpen på hastighet III i en kort periode, avhengig av systemets størrelse og utforming.

Når pumpen er utluftet, dvs. når støyen har opphørt, stilles pumpen inn i henhold til anbefalingene.

8. Forhold mellom pumpeinnstilling og pumpeytelse

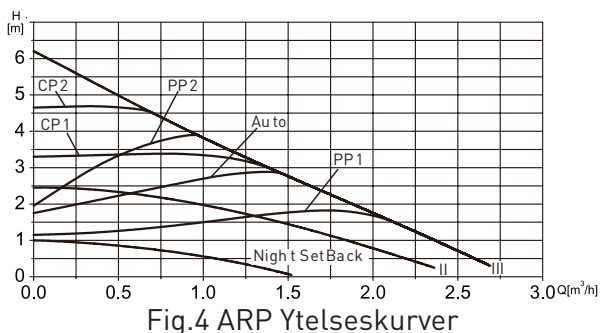



Fig.4 ARP Ytelseskurver
Forhold mellom pumpeinnstilling og pumpeytelse

Tabell 5

Innstilling	Pumpekurve	Funksjon
Auto	Kurve fra høyeste til laveste proporsjonaltrykk	AUTO-funksjonen gjør det mulig for ARP å styre pumpens ytelse automatisk innenfor et definert ytelsesområde, slik at pumpens ytelse tilpasses variasjonene i belastning over tid. I AUTO er pumpen innstilt på proporsjonale trykkregulering.
PP1	Laveste kurve for proporsjonalt trykk	Pumpens driftspunkt vil bevege seg opp eller ned på den laveste proporsjonaltrykkskurven, avhengig av vannbehovet. Trykkehøyden (trykk) reduseres ved fallende vannbehov og økes ved økende vannbehov.
PP2	Høyeste kurve for proporsjonalt trykk	Pumpens driftspunkt vil bevege seg opp eller ned på den høyeste proporsjonaltrykkskurven, avhengig av vannbehovet. Trykkehøyden (trykk) reduseres ved fallende vannbehov og økes ved økende vannbehov.
CP1	Laveste kurve med konstant trykk	Pumpens driftspunkt vil bevege seg ut eller inn på den laveste konstantrykkskurven, avhengig av vannbehovet i systemet. Trykkehøyden (trykk) holdes konstant, uavhengig av vannbehovet.
CP2	Høyeste kurve med konstant trykk	Pumpens driftspunkt vil bevege seg ut eller inn på den høyeste konstantrykkskurven, avhengig av vannbehovet i systemet. Trykkehøyden (trykk) holdes konstant, uavhengig av vannbehovet.
III	Hastighet III	ARP kjører med konstant hastighet og følgelig på en konstant kurve. I hastighet III er pumpen innstilt til å kjøre på maks. kurve under alle driftsforhold. Rask utlufting av pumpen kan oppnås ved å sette pumpen på hastighet III i en kort periode.

II	Hastighet II	ARP kjører med konstant hastighet og følgelig på en konstant kurve. I hastighet II er pumpen innstilt til å kjøre på mediumkurven under alle driftsforhold.
I	Hastighet I	ARP kjører med konstant hastighet og følgelig på en konstant kurve. I hastighet I er pumpen innstilt til å kjøre på min. kurve under alle driftsforhold.
	Night SetBack	ARP endrer til kurven for Night SetBack, dvs. absolutt minimum ytelse og strømforbruk, forutsatt at visse betingelser er oppfylt.

9. Feilsøkingsskjema



Pumpen må først repareres etter at strømmen er slått av

Tabell 6 Feilsøkingsskjema

Feil	Årsak	Løsning
Motoren går ikke	En sikring i installasjonen er gått.	Skift sikring.
	Motoren er fastkjørt.	Rotasjon av rotoren med en skrutrekker.
	Pumpen er blokkert.	Fjern urenheter.
	Svipt i strømforsyningen. Den kan være for lav.	Kontroller at strømforsyningen ligger innenfor det angitte området.
	Kondensatoren er skadet.	Skift ut kondensatoren.
Ved normal drift av motoren kan pumpen ikke pumpe vann	Luft i vannrøret.	Reparer vannrøret.
	Inngang med rester	Fjern rester
Støy i systemet	Strømmen er for høy.	Reduser sugehodet.
	Luft i systemet.	Luft ut systemet.
Støy i pumpen	Luft i pumpen.	Luft ut pumpen.
	Det er innløpstrykket også.	Øk innløpstrykket.
Merknad: Feilkodevisning er vist i tabell 3		

10. Tekniske data og installasjonsmål

10.1 Tekniske data

Tabell 7 Tekniske data

Forsyningsspenning	(220~240V) ± 5%
Frekvens	50Hz ± 1%
Kapslingsgrad	IP42
Isolasjonsgrad	H
Relativ luftfuktighet	Maksimalt 95 prosent
Systemtrykk	Maksimalt 1,0 MPa, 10 bar, 102 m fallhøyde

Innløpstrykk	Væsketemperatur	Minimum innløpstrykk
	≤75°C	0,05 bar / 0,005 MPa / 0,5 m fallhøyde
	+90°C	0,28 bar / 0,028 MPa / 2,8 m fallhøyde
	+110°C	1,08 bar / 0,108 MPa / 10,8 m fallhøyde
Væsketemperatur	2°C~110°C	
Romtemperatur	0°C~40°C	
Temperaturklasse	TF110	
PH	6~9	

For å unngå kondens i kontrollboksen og statoren må væsketemperaturen alltid være høyere enn omgivelsestemperaturen. Se tabell 8.

Tabell 8 Forhold mellom omgivelsestemperatur og væsketemperatur

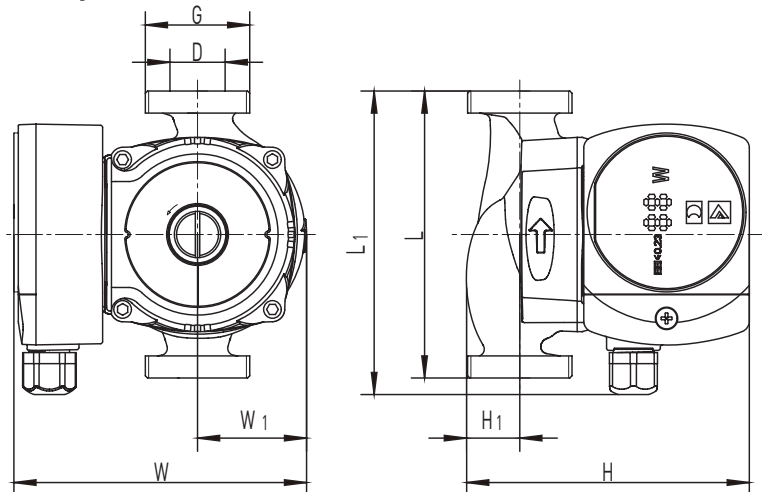
omgivelsestemperatur [°C]	væsketemperatur [°C]	
	Min.	Maks.
0	2	110
10	10	110
20	20	110
30	30	110
35	35	90
40	40	70

I varmtvannssystemer anbefales det å holde væsketemperaturen under 65 °C for å eliminere risikoen for kalkutfelling.

Tabell 9 ARP tekniske data

Pumpetype	Maks. strøm m3/t	Maks. hode m	Nominell strøm m3/t	Nominell løftehøyde m	Inngangseffekt W	kaliber mm	EEL	Rørledning
DFM886 (ARP25-60/180)	2.7	6.0	1.4	3.5	45	Ø25	≤0.23	G1×G1

10.2 Installasjonsmål



Tabell 10 ARP Installasjonsmål

Modell	L(mm)	W(mm)	H(mm)	L1(mm)	W1(mm)	H1(mm)	G	D(mm)
DFM886 [ARP25-60/180]	180	135	130	165	50	25	G1.5	Ø25

11. Ytelseskurver

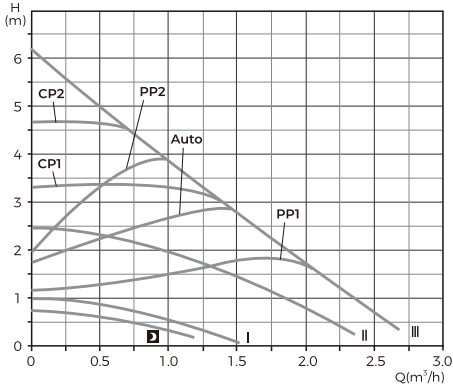
Retningslinjene nedenfor gjelder for kurvene på de neste sidene:

Testvæske: Luftfritt vann.s

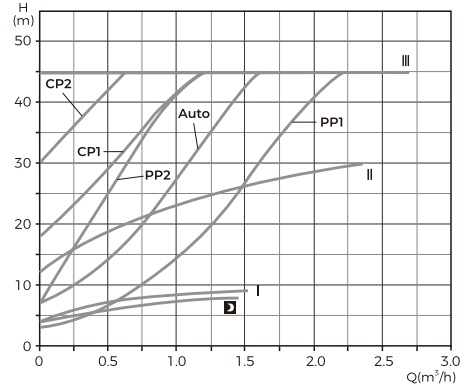
Alle kurvene viser gjennomsnittsverdier og bør ikke brukes som garantikurver. Hvis det kreves en spesifikk minimumsyttelse, må det foretas individuelle målinger.

Kurvene for hastighet I, II og III er markert.

Forklar: ARPXX-60-kurver (Q-H, Q-P1) gjelder for følgende modeller:



ARPXX-60 Q-H



ARPXX-60 Q-P1

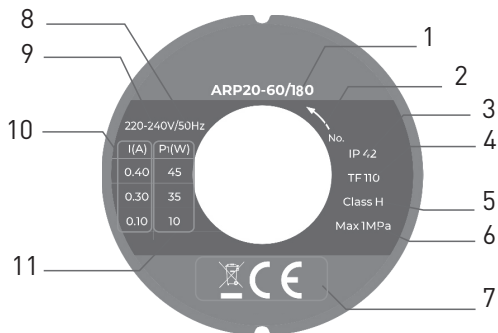
12. Modell og typeskilt

12.1 Modell

ARP 25 - 60 X / 180

- Avstand mellom innløp og utløp (mm)
- Ingen identifikasjon = pumpehus av støpejern
- B = pumpehus av bronse
- P = pumpehus av plast
- Maks. hodehøyde (dm)
- Innløps- / utløpsdiameter (mm)
- LEO ARP Sirkulasjonspumpe

12.2 Typeskilt



Tabell 11 ARP-typeskilt

Pos.	Beskrivelse	Pos.	Beskrivelse
1	Pumpetype	9	Frekvens (Hz)
2	Rotasjonsretningen til pumpehjulet	10	Hastighet III strøm, I(A)
3	Kapslingsgrad		Hastighet II strøm, I(A)
4	Temperaturklasse		Hastighet I strøm, I(A)
5	Isolasjonsgrad	11	Hastighet III, maksimal inngangseffekt, P1(W)
6	Maksimalt systemtrykk		Hastighet II, maksimal inngangseffekt, P1(W)
7	CE		Hastighet I, maksimal inngangseffekt, P1(W)
8	Forsyningsspenning		

13. Tilbehør (valgfritt)

Tabell 12 rørskjøt

Pumpetype	Eksempel	Bilde	A	B	Φ	L
DFM886 (ARP25-60/180)		<p>G1" G1¹/₂</p>	G1 ¹ / ₂	G1	Φ41	36

14. Rengjøring og vedlikehold

Under normale driftsforhold er pumpen vedlikeholdsfri, det anbefales å bruke rent vann av god kvalitet.

Hvis det er fare for frostskaade må innløpsventilen lukkes og utløpsventilen åpnes, tøm vannet.

Vær oppmerksom på ventilasjon om sommeren eller hvis

omgivelsestemperaturen er høy.



Betydning av søppeldunk med kryss over:

Ikke kast elektriske apparater som usortert kommunalt avfall, lever dem til en gjenvinningsstasjon.

Kontakt lokale myndigheter for informasjon om nærmeste tilgjengelige gjenvinningsstasjon.

Hvis elektriske apparater kastes på søppelhauger, kan farlige stoffer lekke ut i grunnvannet og komme inn i næringskjede og føre til skade på helse og velvære.

Når gamle apparater erstattes med nye, er forhandleren rettslig forpliktet til å avhende dine gamle apparater gratis.

GARANTI

Vi er spesielt nøye med å velge materialer av høy kvalitet og bruke produksjonsteknikker som gjør det mulig for oss å skape produkter som kombinerer design og holdbarhet. Dette produktet (DFM886) har en produsentgaranti på 2 år mot produksjonsfeil, fra kjøpsdatoen (ved kjøp i butikk) eller leveringsdatoen (ved kjøp på nett), uten ekstra kostnad. For å gjøre krav i henhold til denne garantien må du fremvise kjøpsbevis (for eksempel kvittering, kjøpsfaktura eller annet bevis som er tillatt i henhold til gjeldende lov), oppbevar kjøpsbeviset på et trygt sted. For at denne garantien skal gjelde må produktet du har kjøpt være nytt, den gjelder ikke for brukte produkter eller utstillingsprodukter. Med mindre annet er angitt i gjeldende lovverk, vil ethvert erstatningsprodukt som utstedes i henhold til denne garantien kun være garantert frem til utløpet av den opprinnelige garantiperioden.

Denne garantien dekker produktfeil og funksjonsfeil forutsatt at produktet er brukt til det formålet det er beregnet for, og at installasjon, rengjøring, stell og vedlikehold er utført i samsvar med informasjonen i disse vilkårene, i bruksanvisning og i henhold til vanlig praksis, forutsatt at vanlig praksis ikke er i strid med bruksanvisningen.

Denne garantien dekker ikke defekter og skader som skyldes normal slitasje eller skader som kan være et resultat av feilaktig bruk, feilaktig installasjon eller montering, forsømmelse, uhell, misbruk eller modifisering av produktet. Med mindre annet følger av gjeldende lovgivning, dekker denne garantien under ingen omstendigheter ekstrakostnader (frakt, flytting, kostnader ved av- og påmontering, arbeid

osv.) eller direkte og indirekte skader.

Denne garantien dekker ikke feil og skader forårsaket av eller som følge av:

- Normal slitasje og elde
- Overbelastning, feil bruk eller forsømmelse
- Reparasjonsforsøk utført av andre enn en autorisert agent
- Kosmetiske skader
- Skade forårsaket av fremmedlegemer, substanser eller ulykker
- Utsiktet skade eller modifisering
- Unnlatelse av å følge produsentens retningslinjer
- Tap av bruk av varene

Hvis produktet er defekt, vil vi innen rimelig tid reparere eller erstatte det.

Rettigheter i henhold til denne garantien kan håndheves i det landet der du kjøpte dette produktet. Garantirelaterte spørsmål skal rettes til butikken du kjøpte dette produktet fra.

Garantien kommer i tillegg til og påvirker ikke dine lovfestede rettigheter.

NO

EU-samsvarserklæring

Vi

Kesko Corporation,

Address: PL 1,00016, Helsinki, Finland

Telefon: +358-10 53032 **Fax:** +358-9 8574783

Erklærer under vårt eneansvar at følgende produkt Utstyr:

Utskyting: SIRKULASJONSPUMPE

Merkenavn: OPAL

Modell/type: DFM886/ARP25-60/180

er i samsvar med

Low Voltage Directive (LVD) 2014/35/EU

Direktiv om elektromagnetisk kompatibilitet (EMC) 2014/30/EC,

RoHS 2011/65/EU Annex II&(EU) 2015/863

og følgende harmoniserte standarder og tekniske spesifikasjoner er brukt:

LVD:

EN 60335-1:2012+A11+A13+A1+A14+A2+A15

EN 60335-2-51:2003+A1+A2

EN 62233:2008

EMC:

EN IEC 55014-1:2021

EN IEC 55014-2:2021

EN IEC 61000-3-2:2019+A1

EN 61000-3-3:2013+A1+A2

Helsinki, Finland, October 30th, 2024

Kesko Corporation Group Companies



Ville Särkilahti - General Manager

Ohutusteave (EE)

Üldised ohutushoiatused

- Lapsed alates kaheksandast eluaastast ja isikud, kelle füüsilised, sensoorsed või vaimsed võimed on piiratud või kellel puuduvad kogemused ja teadmised, võivad seadet kasutada juhul, kui neid jälgitakse või kui neid on juhendatud seadet ohutult kasutama ja nad mõistavad sellega seotud ohte. Lapsed ei tohi seadet puhastada ega hooldada, välja arvatud juhul, kui nad on vanemad kui 8 aastat ja nendele on tagatud järelevalve.
- Enne kokkupanekut, lahtivõtmist või puhastamist eemaldage seade alati vooluvõrgust.
- Väheste sensorsete, füüsiliste või vaimsete võimetega isikud ning need, kellel puuduvad vajalikud kogemused ja teadmised, tohivad seadmeid kasutada ainult nende ohutuse eest vastutava isiku järelevalve all või kui on saanud seadme ohutu kasutuse juhised ja mõistavad kaasnevaid ohtusid.
- Ärge lubage lastel seadmega mängida.
- Pumpasid, millel puudub märge, et need on külmumise eest kaitstud, ei tohi külma korral õue jätta.
- Tähelepanu! Kui toitekaabel on kahjustatud, peab selle ohutuse tagamiseks asendama tootja, hoolduspartner või sarnase kvalifikatsiooniga

isik.

- Tutvuge käitus-, seadistus- ja kasutusvõimalustega. Järgige ohutus- ja kasutusjuhiseid, et vältida võimalikke riske ja ohte.
- Kui teil on pärast kasutusjuhendi lugemist küsimusi, võtke ühendust kvalifitseeritud isiku või edasimüüjaga.
- Hoidke kasutusjuhendit nii, et see oleks kõigile kasutajatele kättesaadav. Edastage see samuti, kui annate seadme teistele edasi.
- Ärge püüdke seadet mingil viisil muuta. Kasutage ainult tootja soovitatud lisaseadmeid ja tarvikuid.
- Kasutage seadet ainult kasutusjuhendi kohaselt. Väärkasutamine ja ebaõige käsitlemine ohustab inimesi ja vara.
- Ärge kasutage nähtavalt kahjustatud seadet. Enne iga kasutamist vaadake üle toitekaabli, pistiku, ühendatud voolikute ja korpuse seisukord. Vigased seadmed tuleb parandada või nõuetekohaselt kõrvaldada.
- Kui toitekaabel või seade on kahjustatud või tekib rike, eemaldage seade kohe vooluvõrgust.
- Laske seadet parandada ainult kvalifitseeritud spetsialistil. Ebaõiged parandused võivad põhjustada elektrilöögi või muid õnnetusi.
- Toote vooluvõrgust eemaldamiseks tõmmake

pistikust, mitte toitekaablist.

- Ärge laske toitekaabli üle servade rippuda, ärge pigistage ega painutage seda.
- Kui pikenduskaabli kasutamine on vältimatu, kasutage selle seadme tehnilistele nõuetele vastavaid pikenduskaableid. Kui kasutate seadmeid õues, kasutage sobivat pikenduskaablit.

Pumba ohutushoiatused

- Seade tuleb paigaldada kohalike riiklike elektripaigaldiste nõuete kohaselt.
- Pumba toide peab olema ühendatud rikkevoolukaitselüliti (RCD) kaudu, mille rakendumisvool ei tohi ületada 30 mA.
- Vältida laste juurdepääsu asjakohaste meetmetega.
- Veenduge, et pump ei tõmbaks veest veeloomi (nt kalu).
- Pidage meeles, et määrdeainete leke võib põhjustada vedelike reostuse.
- Kaitske elektriühendusi ja kaableid kuumuse, õli, teravate servade ja niiskuse eest.
- Kaitske pumpa külmumise ja kuivkäituse eest.
- Ärge pumbake liiva või muid abrasiivseid aineid sisaldavaid vedelikke. See kiirendab pumba kulumist ja vähendab tootlikkust.
- Toode on mõeldud puhta vee jaoks, mille

- hõljuvate lisandite läbimõõt ei ületa 1 mm.
- Ärge kasutage pumpa külmumisohu korral.

Hädaolukord

Tutvuge kasutusjuhendiga. Jätke ohutusjuhised meelde ja järgige neid täpselt. See aitab vältida riske ja ohte.

1. Kasutage seadet alati tähelepanelikult, et saaksite ohud varakult ära tunda ja nendega toime tulla. Kiire sekkumine võib ära hoida raskeid vigastusi ja varakahjustusi.
2. Tõrgete korral eemaldage vooluvõrgust. Enne uuesti kasutamist laske seade kvalifitseeritud spetsialistil üle vaadata ja vajaduse korral parandada.

Jääkriskid

Isegi kui käitate seda seadet kõigi ohutusnõuete kohaselt, säilib võimalik vigastuste ja kahjustuste oht. Selle seadme struktuuri ja konstruktsiooni tõttu võivad tekkida järgmised ohud.

1. Vibratsioonist tulenevad tervisekahjustused, kui seadet kasutatakse pikka aega või kui seda ei käsitseta ega hooldata nõuetekohaselt.
2. Vigastused ja varakahjustused, mis on tingitud purunenud kinnitusedetailide tõttu või kasutusaegsest kokkupõrkest varjatud esemetega.
3. Paiskuvate esemete põhjustatud vigastuste ja varakahju oht.
4. Lõhkemisoht.



HOIATUS! See seade tekitab käitamise ajal elektromagnetvälja. See väli võib mõnel juhul segada aktiivsete või passiivsete implantaatide tööd. Raskete või surmavate vigastuste ohu vältimiseks soovitame meditsiiniliste implantaatidega isikutel võtta enne seadme kasutamist ühendust arsti ja meditsiiniseadme tootjaga.

Eessõna

Enne selle seadme kasutamist lugege hoolikalt juhiseid.

Tootja ei võta endale vastutust mis tahes rikete ja kahjude eest, mis tulenevad kasutusjuhendi ohutussätete eiramisest. Hoidke kõiki

dokumente hoolikalt. Küsimuste korral saatke e-kiri või võtke ühendust kohaliku edasimüüjaga.

Kõik juhendis, joonistel ja spetsifikatsioonides avaldatud andmed on esitatud viimase kehtiva tootekirjelduse alusel. Kui toodete pideva uuendamise tõttu on nimesildi parameetrid kasutusjuhendi parameetritest erinevad, tuleb eelistada nimesildil esitatud andmeid.

1. Üldkirjeldus

ARP ringluspump on mõeldud vee ringluseks kütte- ja sooja tarbevee süsteemides. ARP ringluspumbas on püsिमagnetmootor ja sagedusmuundur, mis võimaldab pumba tootlikkuse pidevat kohandamist süsteemi tegelikele nõuetele. ARP ringluspumbal on kasutusmugav juhtpaneel.

ARP ringluspumpa on lihtne paigaldada ja käivitada. Tänu automaatrežiimile (tehaseseadistus) saab pumba enamasti käivitada ilma mingeid seadistusi tegemata. Väike energiakulu võrreldes harilike ringluspumpadega. Pumba energiatõhususe tegur (EEI) on 0,23.

2. Kasutusala

2.1 Pumbatavad vedelikud

Puhtad, vedelad, mittesööbivad ja mitteplahvatusohtlikud vedelikud, mis ei sisalda tahkeid osakesi, kiude ega mineraalõli. Küttesüsteemides peaks vesi vastama küttesüsteemide vee kvaliteedi kohta kehtivate standardite nõuetele.



Hoiatus!

Pumpa ei tohi kasutada tuleohtlike vedelike, nagu diislikütuse, bensiini ja sarnaste vedelike pumpamiseks.

2.2 Süsteemi rõhk

Kõrgeim rõhk 1,0 MPa (10 baari).

2.3 Kaitseklass

IP 42.

2.4 Sisendrõhk

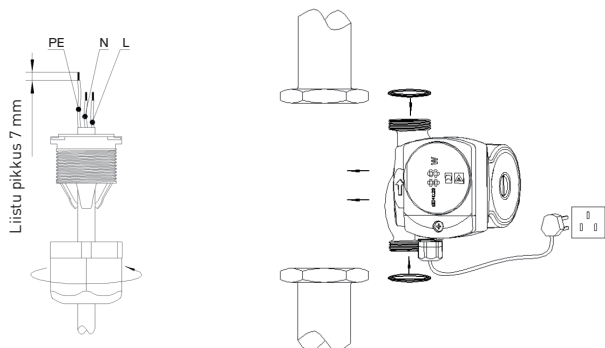
Tabel 1. Madalaim sisendrõhk olenevalt vedeliku temperatuurist

Vedeliku temperatuur	Madalaim sisendrõhk	
	MPa	Baar
75°C	0.005	0.05
90°C	0.028	0.28
110°C	0.108	1.08

3. Elektriühendused



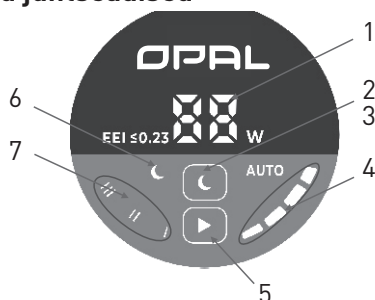
Ärge ühendage juhtmestiku harukarpi, kui voolu ei ole välja lülitatud.
Pump peab olema ühendatud maandusega.
Pump peab olema ühendatud välise pealüliti kaudu.



Elektriühendused ja -kaitse tuleb teha kohalike eeskirjade kohaselt. Veenduge, et toitepinge ja sagedus vastaksid pumbal märgitud väärtustele. Kui pumba töökoht on toiteallikast kaugel, peaks toitekaabel olema sobiva ristlõikega, sest muidu mõjutab pingeline pumba harilikku tööd. Kui pumba kasutatakse õues, peab toitekaabel olema tehtud kummikaabliga.

4. Juhtpaneel

4.1 Juhtpaneelil olevad juhtseadised



Joonis 1. ARP-i juhtpaneel

Tabel 2. Juhtpaneelil olevad juhtseadised

Viide	Kirjeldus
1	Näidik, mis näitab pumba tegelikku energiatarbimist vattides
2	Surunuppu öise säästurežiimi sisselülitamiseks
3	Automaatrežiimi märgutuli
4	Proportsionaalse ja konstantse rõhu režiimi märgutuli
5	Surunupp pumba seadistuse valimiseks
6	III, II, I kiirusrežiimi märgutuli

4.2 Näidik

Näidik, viide 1, on sisse lülitatud, kui elekter on sisse lülitatud.

Näidik näitab pumba tegelikku energiatarbimist vattides (täisarvuna) töö ajal.

Kui pumba töötamise ajal tekib tõrge, seiskub pump viivitamatut ja näidikul kuvatakse veakood; pump taaskäivitub 30 sekundi pärast. Tõrkekoodid on esitatud tabelis 3.

Tabel 3. Tõrkekood

Tõrkekood	Nimetus	Kirjeldus
P0	Mooduli kaitse	IPM-mooduli tõrge või liigvoolukaitse
P1	Pinge tõrge	Pinge on liiga madal või liiga kõrge (alla 120 V või üle 380 V)
P2	Käivituse tõrge	Mootor ummistatud või ei ühti
P3	Faasikaitse	Mootori kaabli katkestus
P6	Seiskumiskaitse	Mootor ei saa väliste põhjuste tõttu sünkroonselt töötada
P9	Liigvoolukaitse	Koormus on liiga suur
E5	EEPROM-i tõrge	Välise mälu tõrge

4.3 Surunupp pumba seadistuse valimiseks

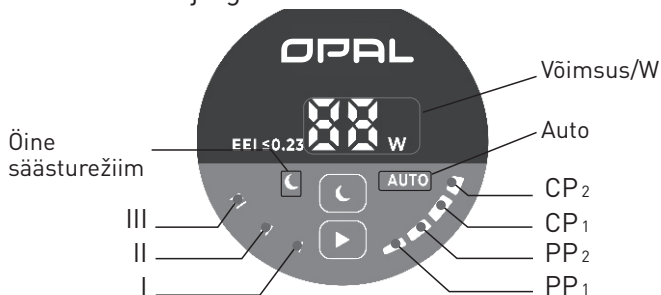
Pumba seadistus vahetub iga kord, kui vajutada surunuppu (vt viide 5, joonis 1) Tsükel on kaheksa nupuvajutust. Vt joonist 2

Automaatrežiim
PP1, madalaima proportsionaalse rõhu kõveraga režiim
PP2, kõrgeima proportsionaalse rõhu kõveraga režiim
CP1, madalaima konstantse rõhukõvera režiim
CP2, kõrgeima konstantse rõhukõvera režiim
I konstantne kõver, I kiiruse režiim
II konstantne kõver, II kiiruse režiim
III konstantne kõver, III kiiruse režiim

Joonis 2. Surunupp pumba seadistuse valimiseks

4.4 Märgutuled

Heledad alad tähistavad järgmist:



Joonis 3. ARP-i juhtpaneel

4.5 Surunoppu öise säästurežiimi  sisselülitamiseks (vt viide 5, joonis 1). Kui öise säästurežiimi surunoppu on vajutatud, süttib märgutuli (, vt joonis 3).

5. Pumba seadistamine

5.1 Pumba seadistus süsteemi tüübi põhjal

Soovitavad ja alternatiivsed pumba sätted tabeli 4 kohaselt.

Tabel 4. Pumba seadistus süsteemi tüübi põhjal

Süsteemi tüüp	Pumba sätted	
	Soovitav	Teine võimalus
Põrandaküte	Auto	Kõrgeima konstantse rõhukõvera režiim (CP2) või madalaima konstantse rõhukõvera režiim (CP1)
Kahetorusüsteemid	Auto	Kõrgeima proportsionaalse rõhukõvera režiim (PP2)
Ühetorusüsteemid	Madalaima proportsionaalse rõhukõvera režiim (PP1)	Kõrgeima proportsionaalse rõhukõvera režiim (PP2)

5.2 Pumba regulaator

Töö ajal reguleeritakse pumba tõstekõrgust proportsionaalse rõhu juhtimise (PP) või konstantse rõhu juhtimise (CP) põhimõtte järgi.

Proportsionaalse rõhuga juhtimine. Selles juhtimisrežiimis reguleeritakse vooluhulga pumba järgi diferentsiaalrõhku.

Konstantse rõhuga juhtimine. Selles juhtimisrežiimis hoitakse pumba diferentsiaalrõhku olenemata vooluhulgast konstantsena.

6. Öine säästurežiim

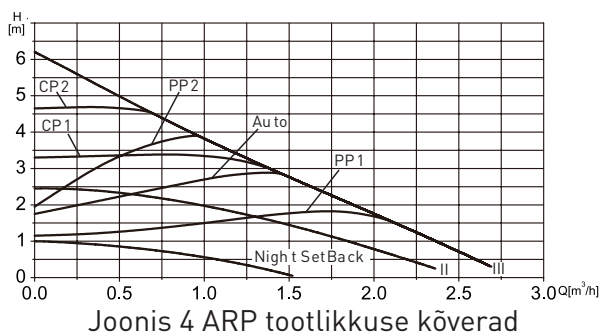
Öise säästurežiimi rakendamiseks vajutage nuppu, vabastage nupp pärast näidiku süttimist, pump läheb öisesse säästurežiimi.

7. Kasutusele võtmine

Ärge käivitage pumpa enne, kui süsteem on vedelikuga täidetud ja õhutustatud. Pumba sisendavas peab olema vähemalt nõutav madalaim sisendrõhk.

Pumpa jäänud õhk võib põhjustada müra. See müra lakkab pärast mõne minutilist töötamist. Olenevalt süsteemi suurusest ja ehitusest võib pumba õhutustamise kiirendamiseks seada pumba lühikeseks ajaks III kiirusele. Kui pump on õhutustatud, st kui müra on lakanud, seadistage pump.

8. Pumba seadistuse ja pumba tootlikkuse vaheline sõltuvus



Tabel 5. Pumba seadistuse ja pumba tootlikkuse vaheline sõltuvus

Seadistus	Pumba kõver	Toimimine
Auto	Kõrgeima ja madalaima proportsionaalse rõhu vaheline kõver	Automaatrežiim võimaldab ARP-il juhtida pumba tootlikkust automaatselt määratud tootlikkusevahemikus, kohandades pumba tootlikkust aja jooksul koormuse muutustele. Automaatrežiimis on pump seatud proportsionaalse rõhu juhtimisele.
PP1	Madalaima proportsionaalse rõhu kõver	Pumba tööpunkt liigub olenevalt veevajadusest madalaima proportsionaalse rõhu kõveral üles- või allapoole. Veevajaduse vähenemisel samba kõrgus (rõhk) langeb ja veevajaduse suurenemisel tõstekõrgus (rõhk) tõuseb.
PP2	Kõrgeima proportsionaalse rõhu kõver	Pumba tööpunkt liigub olenevalt veevajadusest kõrgeimal proportsionaalse rõhu kõveral üles- või allapoole. Veevajaduse vähenemisel samba kõrgus (rõhk) langeb ja veevajaduse suurenemisel tõstekõrgus (rõhk) tõuseb.
CP1	Madalaima konstantse rõhu kõver	Pumba tööpunkt liigub madalaimal konstantse rõhu kõveral olenevalt süsteemi veevajadusest välja või sisse. Tõstekõrgus (rõhk) hoitakse olenemata veevajadusest konstantsena.
CP2	Kõrgeim konstantse rõhu kõver	Pumba tööpunkt liigub kõrgeimal konstantse rõhu kõveral olenevalt süsteemi veevajadusest välja või sisse. Tõstekõrgus (rõhk) hoitakse olenemata veevajadusest konstantsena.
III	III kiirus	ARP töötab konstantse kiirusega ja seega konstantsel kõveral. III kiirusel on pump seatud töötama kõikides töötingimustes kõrgeimal kõveral. Pumba õhutamise kiirendamiseks võib seada pumba lühikest aega III kiirusele.
II	II kiirus	ARP töötab konstantse kiirusega ja seega konstantsel kõveral. II kiirusel on pump seatud töötama kõikides töötingimustes keskmisel kõveral.
I	I kiirus	ARP töötab konstantse kiirusega ja seega konstantsel kõveral. I kiirusel on pump seatud töötama kõikides töötingimustes madalamal kõveral.
	Öine säästurežiim	Kui tingimused on täidetud, lülitab ARP pumba öise säästurežiimi kõverale, st kõige väiksemale tootlikkusele ja energiatarbimisele.

9. Veatuvastuse tabel



Enne pumba parandamist lülitage alati elektrivool välja

Tabel 6. Veatuvastuse tabel

Tõrge	Põhjus	Lahendus
Mootor ei tööta	Üks paigaldise kaitse on läbi põlenud	Vahetage sulavkaitse
	Mootor on kinni	Proovige rootorit krivikeerajaga pöörata
	Pump on ummistunud	Eemaldage praht
	Elektrivoolu tõrge Võib olla liiga madal	Mõõtkte, kas elektritoide on ettenähtud vahemikus
	Kondensaator on kahjustatud	Vahetage kondensaator välja
Mootor töötab harilikult, pump ei pumpa vett	Õhk veetorus	Parandage veetoru
	Sisendis on praht	Eemaldage praht
Müra süsteemis	Vooluhulk on liiga suur	Vähendage sisendrõhku
	Süsteemis on õhk	Laske õhk süsteemist välja
Pumba müra	Õhk pumbas	Õhutustage pump
	Sisendrõhk on liiga madal	Tõstke sisendrõhku
Märkus. Tõrkekoodide selgitus on toodud tabelis 3.		

10. Tehnilised andmed ja paigaldusmõõdmed

10.1 Tehnilised andmed

Tabel 7. Tehnilised andmed

Toitepinge	(220~240V) ± 5%	
Sagedus	50Hz ± 1%	
Kaitseklass	IP42	
Isolatsiooniklass	H	
Suhteline õhuniiskus	Maksimaalselt 95%	
Süsteemi rõhk	Kõrgeim rõhk 1,0 MPa (10 baari, tõstekõrgus 102 m)	
Sisendrõhk	Vedeliku temperatuur	Madalaim sisendrõhk
	≤75°C	0,05 baari / 0,005 MPa / tõstekõrgus 0,5 m
	+90°C	0,28 baari / 0,028 MPa / tõstekõrgus 2,8 m
	+110°C	1,08 baari / 0,108 MPa / tõstekõrgus 10,8 m
Vedeliku temperatuur	2°C~110°C	
Ümbritsev temperatuur	0°C~40°C	
Temperatuuriklass	TF110	
PH	6~9	

Juhtkarbi ja staatori sisese kondenseerumise vältimiseks peab vedeliku temperatuur olema alati kõrgem kui ümbritsev temperatuur. Vt tabelit 8.

Tabel 8. Ümbritseva temperatuuri ja vedeliku temperatuuri vaheline sõltuvus

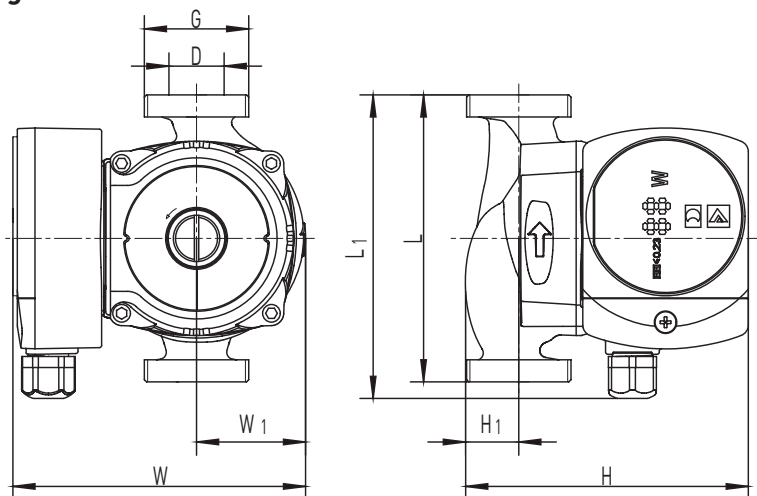
Ümbritsev temperatuur (°C)	Vedeliku temperatuur (°C)	
	Madalaim	Kõrgeim
0	2	110
10	10	110
20	20	110
30	30	110
35	35	90
40	40	70

Kodumajapidamises kasutatavates kuumaveesüsteemides on soovitatav hoida vedeliku temperatuur alla 65 °C, et vähendada lubja sadestumise riski.

Tabel 9. ARP tehnilised andmed

Pumbatüüp	Suurim vooluhulk m ³ /h	Suurim tõstekõrgus m	Nimivooluhulk m ³ /h	Nimitõstekõrgus m	Sisendvõimsus W	Ava mm	EEL	Ootel tööd
DFM886 (ARP25-60/180)	2.7	6.0	1.4	3.5	45	Φ25	≤0.23	G1×G1

10.2 Paigaldusmõõtmed



Tabel 10. ARP paigaldusmõõtmed

Mudel	L(mm)	W(mm)	H(mm)	L1(mm)	W1(mm)	H1(mm)	G	D(mm)
DFM886 (ARP25-60/180)	180	135	130	165	50	25	G1.5	Φ25

11. Vooluhulga kõverad

Allpool toodud selgitused kehtivad järgmistel lehekülgedel olevate

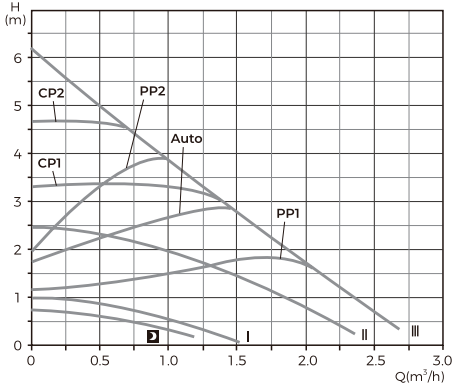
kõverate kohta.

Katsetusvedelik: õhuvaba vesi.

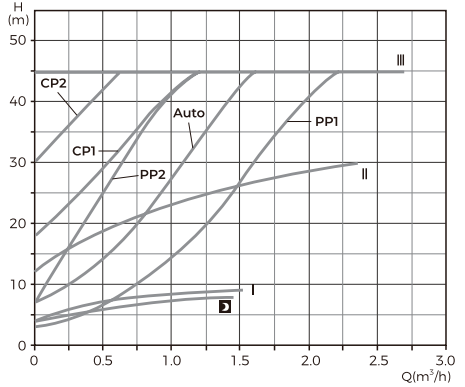
Kõik kõverad kujutavad keskmisi väärtusi ja neid ei tohiks kasutada garantiikõveratena. Kui nõutakse vähimat tootlikkust, tuleb teha individuaalsed mõõtmised.

Esitatud on I, II ja III kiiruse kõverad.

Selgitus: ARPXX-60 kõverad (Q-H, Q-P1) kehtivad järgmiste mudelite kohta:



ARPXX-60 Q-H



ARPXX-60 Q-P1

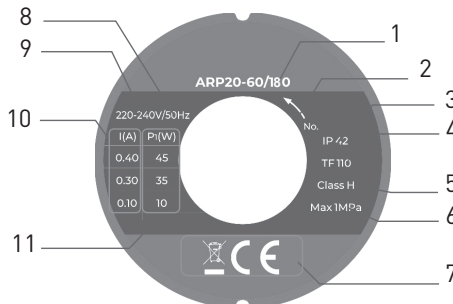
12. Mudel ja andmeplaat

12.1 Mudel

ARP 25 - 60 X / 180

- Sisendi ja väljundi vaheline kaugus (mm)
- Tähistus puudub = malmist pumba korpus
- B = pronksist pumba korpus
- P = plastist pumba korpus
- Suurim tõstekõrgus (dm)
- Sisend-/väljundava läbimõõt (mm)
- LEO ARP ringluspump

12.2 Andmeplaat

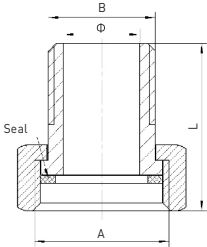



Tabel 11. ARP andmeplaat

Viide	Kirjeldus	Viide	Kirjeldus
1	Pumbatüüp	9	Sagedus (Hz)
2	Tiiviku pöörlemissuund	10	III kiiruse voolutugevus, I (A)
3	Kaitseklass		II kiiruse voolutugevus, I(A)
4	Temperatuuriklass		I kiiruse voolutugevus, I(A)
5	Isolatsiooniklass	11	III kiirus, suurim sisendvõimsus, P1 (W)
6	Kõrgeim süsteemi rõhk		II kiirus, suurim sisendvõimsus, P1 (W)
7	CE		I kiirus, suurim sisendvõimsus, P1 (W)
8	Toitepinge		

13. Lisaseadmed (valikulised)

Tabel 12. Toruliitmikud

Pumbatüüp	Näide	Joonis	A	B	Φ	L
DFM886 (ARP25-60/180)		 G1" G1½	G1½/2	G1	Φ41	36

14. Puhastamine ja korrashoid

Harilikes töötingimustes on pump hooldusvaba, soovitatav on hoida vesi kvaliteetse ja puhtana.

Külmumisohu tekkimisel sulgege sisendkraan, avage väljundkraan ja laske vesi välja.

Suvel või kui ümbritsev temperatuur on kõrge, pöörake tähelepanu ventilatsioonile.



Läbikriipsutatud ratastel prügikonteineri tähendus

Ärge kõrvaldage elektriseadmeid koos olmejäätmetega, vaid viige need kogumispunkti.

Vajaduse korral pöörduge kogumiskeskuse leidmiseks kohaliku omavalitsuse poole.

Kui elektriseadmed viiakse prügimäele, võivad nendes olevad ohtlikud ained põhjavette lekkida ning toiduahelasse sattumisel teie tervist ja heaolu kahjustada.

Vanade seadmete asemel uute ostmise korral on edasimüüja kohustatud

teie vana seadme töötlemiseks tasuta vastu võtma.

Garantii

Me pöörame erilist tähelepanu kvaliteetsete materjalide valikule ja kasutame tootmistehnikaid, mis võimaldavad meil luua tänapäevase disaini ja vastupidavusega tooteid. Tootja annab sellele tootele (DFM886) tootmisvigade suhtes 2-aastase lisakuludeta garantii alates ostu- (kui on ostetud poest) või tarnekuupäevast (kui on ostetud veebist).

Selle garantii alusel nõude esitamiseks peate esitama ostutõendi (näiteks müügikviitungi, ostuarve või muu kehtiva õiguse kohaselt aktsepteeritava tõendi). Seetõttu hoidke ostutõendit kindlas kohas. Garantii kehtimiseks peab ostetud toode olema müüdnud uuena, see ei kehti kasutatud või väljapanekutoodete kohta. Kui kohaldatavas õiguses ei ole sätestatud teisiti, kehtib garantii alusel väljastatud asendustoote garantii ainult esialgse garantiiaja lõpuni.

Garantii hõlmab toote rikkeid ja talitlushäireid, kui toodet kasutati ettenähtud otstarbel, kui see paigaldati, seda puhastati ja hooldati tingimustes ja kasutusjuhendis sisalduva teabe kohaselt ja tavapraktikat järgides, tingimusel et tavapraktika ei ole vastuolus kasutusjuhendiga. Garantii ei hõlma defekte ja kahjustusi, mis on põhjustatud tavalisest kulumisest ja kahjustustest, mis võivad olla tingitud toote ebaõigest kasutamisest, vigasest paigaldamisest või kokkupanekust, hooletusest, õnnetusest, väärkasutamisest või muutmisest. Kui kohaldatavast õigusest ei tulene teisiti, ei kata garantii mingil juhul lisakulusid (saatmine, demonteerimise ja uuesti paigaldamise kulud, tööjõud jne) ega otseseid ja kaudseid kahjusid.

Garantii ei hõlma defekte ja kahjustusi, mis on põhjustatud või tulenevad järgmistest asjaoludest:

- Harilik kulumine;
- Ülekoormus, väärkasutus või hooletus;
- Muude kui volitatud esindaja tehtud parandustööd;
- Iluvead;
- Võõrkehade, ainetest või õnnetusjuhtumistest põhjustatud kahjustused;
- Juhuslik kahjustus või muudatus;
- Tootja suuniste eiramine;
- Kauba kasutamisel tekkinud kadu.

Kui toode on defektne, parandame või asendame selle mõistliku aja jooksul. Garantiikohased õigused kehtivad riigis, kus te selle toote ostsite. Garantiiiga seotud päringud tuleb esitada kauplusele, kust te selle toote ostsite.

Garantii täiendab teie seadusest tulenevaid õigusi ega mõjuta neid.

EE

EL-i nõuetele vastavuse deklaratsioon

Meie

Onninen Oy

Address: Satamakatu 3, FI-00160, Helsinki, Finland

Telefon: +358-10 53032

kinnitame oma ainuvastutusel, et käesolev toode

Seade: Ringluspump

Mark: OPAL

Mudel/tüüp: DFM886/ARP25-60/180

vastab järgmiste direktiivide nõuetele:

Low Voltage Directive (LVD) 2014/35/EU,
elektromagnetilise ühilduvuse direktiiv (EMC) 2014/30/EÜ
RoHS 2011/65/EU Annex II&(EU) 2015/863

ja rakendatud on järgmisi harmoneeritud standardseid ja tehnilisi normdokumente:

LVD:

EN 60335-1:2012+A11+A13+A1+A14+A2+A15

EN 60335-2-51:2003+A1+A2

EN 62233:2008

EMC:

EN IEC 55014-1:2021

EN IEC 55014-2:2021

EN IEC 61000-3-2:2019+A1

EN 61000-3-3:2013+A1+A2

Helsinki, Finland, October 30th, 2024
Kesko Corporation Group Companies



Ville Särkilähti - General Manager

Drošības informācija (LV)

Vispārīgi drošības brīdinājumi

- Šo ierīci nedrīkst lietot bērni, kas nav sasnieguši 8 gadu vecumu. Bērni, kas sasnieguši 8 gadu vecumu, kā arī cilvēki ar fiziskiem, maņu vai garīgiem traucējumiem un cilvēki bez pieredzes un zināšanām šo ierīci drīkst lietot, ja viņi tiek uzraudzīti vai ir saņēmuši norādījumus par ierīces drošu lietošanu un saprot ar to saistītos apdraudējumus. Tīrīšanu un lietotāja apkopi drīkst veikt tikai bērni vecumā no 8 gadiem un tikai uzraudzībā.
- Pirms montāžas, demontāžas vai tīrīšanas vienmēr atvienojiet ierīci no strāvas padeves.
- Ierīces var lietot personas ar ierobežotām fiziskajām, maņu vai garīgajām spējām vai ar nepietiekamu pieredzi un zināšanām, ja tās tiek uzraudzītas vai instruētas par ierīces lietošanu drošā veidā un ja tās saprot ar to saistītos apdraudējumus.
- Bērni nedrīkst spēlēt ar ierīci.
- Sūkņus bez norādes, ka tie ir aizsargāti pret sasalšanas iedarbību, nedrīkst atstāt ārā aukstā laikā.
- Uzmanību! Ja strāvas vads ir bojāts, tas jānomaina ražotājam, tā servisa pārstāvim vai līdzīgi kvalificētām personām, lai izvairītos no drošības apdraudējuma.

- Iepazīstieties ar ierīces darbību, regulēšanu un funkcijām. Lai izvairītos no iespējamiem riskiem un apdraudējumiem, ievērojiet drošības un lietošanas instrukcijas.
- Ja pēc lietošanas instrukcijas izlasīšanas rodas jautājumi, sazinieties ar kvalificētu speciālistu vai izplatītāju.
- Uzglabājiet lietošanas instrukciju tā, lai tā būtu pieejama visiem lietotājiem. Nododiet to tālāk arī tad, kad dodat produktu citiem.
- Nemēģiniet nekādā veidā pārveidot izstrādājumu. Izmantojiet tikai ražotāja ieteiktos piederumus un papildierīces.
- Izmantojiet izstrādājumu tikai saskaņā ar šo lietošanas instrukciju. Nepareiza lietošana un nepareiza rīcība var radīt apdraudējumu cilvēkiem un īpašumam.
- Nelietojiet izstrādājumu, ja ir redzami bojājumi. Pirms katras lietošanas reizes pārbaudiet strāvas vadu, kontaktdakšu, pievienotās šļūtenes un apvalku. Bojāti izstrādājumi ir jālabo vai pienācīgi jāiznīcina.
- Nekavējoties atvienojiet izstrādājumu no strāvas padeves, ja ir bojāts vads vai izstrādājums, vai ja rodas bojājums.
- Nosūtiet izstrādājumu remontēt tikai kvalificētam speciālistam. Nepareizi veikts remonts var izraisīt elektriskās strāvas triecienu

vai citus negadījumus.

- Lai atvienotu izstrādājumu no strāvas padeves, velciet kontaktdakšu, nevis strāvas vadu.
- Neļaujiet strāvas vadam karāties pāri malām, nespiediet to un nelieciet.
- Ja pagarinātāja izmantošana ir neizbēgama, izmantojiet pagarinātājus, kas atbilst šī izstrādājuma tehniskajām prasībām. Lietojot izstrādājumus ārpus telpām, izmantojiet pagarinātāju, kas piemērots lietošanai ārpus telpām.

Sūkņa drošības brīdinājumi

- Iekārta jāuzstāda saskaņā ar nacionālajiem elektroinstalācijas noteikumiem.
- Sūknis jābaro, izmantojot atlikušās strāvas ierīci (RCD), kuras nominālā atlikusī darba strāva nepārsniedz 30 mA.
- Novērsiet bērnu piekļuvi ar atbilstošiem pasākumiem.
- Pārliecinieties, ka sūknis neiesūc jūras iemītniekus (piemēram, zivis).
- Ņemiet vērā, ka šķidruma piesārņojums var rasties smērvielu noplūdes dēļ.
- Aizsargājiet elektriskos savienojumus un vadus no karstuma, eļļas, asām malām un mitruma.
- Pasargājiet sūkni no sala un darbības sausumā.
- Nesūknējiet šķidrumus ar smiltīm vai citām

abrazīvām vielām. Tas palielina nodilumu un samazina sūkņu jaudu.

- Izstrādājums ir paredzēts tīram ūdenim, kurā suspendēto piemaisījumu diametrs nepārsniedz 1 mm.
- Nekad nelietojiet sūkni, ja pastāv sala draudi.

Ārkārtas situācija

Iepazīstieties ar šī izstrādājuma lietošanu, izmantojot šo lietošanas instrukciju. Atcerieties drošības norādījumus un precīzi tos ievērojiet. Tas palīdzēs novērst riskus un apdraudējumus.

1. Lietojot šo produktu, vienmēr esiet modri, lai savlaicīgi varētu atpazīt un novērst riskus. Ātra iejaukšanās var novērst nopietnu ievainojumus un materiālos zaudējumus.
2. Ja rodas darbības traucējumi, atvienojiet no strāvas padeves. Pirms atkārtotas ierīces lietošanas uzticiet tās pārbaudi kvalificētam speciālistam un, ja nepieciešams, to salabojiet.

Atlikušie riski

Pat tad, ja jūs lietojat šo izstrādājumu saskaņā ar visām drošības prasībām, saglabājas iespējamie traumu un bojājumu riski. Saistībā ar šī izstrādājuma konstrukciju un dizainu var rasties šādas briesmas:

1. Veselības apdraudējumi, ko izraisa vibrācijas emisija, ja izstrādājums tiek lietots ilgstoši vai netiek pienācīgi pārvaldīts un pienācīgi uzturēts.
2. Traumas un materiālie bojājumi, kas radušies no salauztiem stiprinājumiem vai pēkšņa slēptu priekšmetu trieciena lietošanas laikā.
3. Bīstamība gūt traumas un nodarīt materiālos zaudējumus, ko var radīt lidojoši priekšmeti.
4. Sprādziena risks.



BRĪDINĀJUMS! Šis izstrādājums darbības laikā rada elektromagnētisko lauku! Šis lauks noteiktos apstākļos var traucēt aktīviem vai pasīviem medicīniskiem implantiem! Lai samazinātu nopietnu vai letālu traumu risku, mēs iesakām personām ar medicīniskiem implantiem pirms šī

izstrādājuma lietošanas konsultēties ar savu ārstu un medicīnisko implantu ražotāju!

Priekšvārds

Pirms šī produkta lietošanas uzmanīgi izlasiet lietošanas instrukciju. Ražotājs neuzņemas nekādu atbildību par jebkādām neveiksmēm un zaudējumiem, kas radušies šīs specifiskācijas noteikumu neievērošanas dēļ. Lūdzu, rūpējieties par visiem dokumentiem. Ja jums ir kādi jautājumi, zvaniet vai sazinieties ar vietējo izplatītāju.

Visa informācija šajā instrukcijā, diagrammās un specifiskācijās ir publicēta jaunākajā produkta informācijā. Pastāvīgi atjauninātajiem produktiem, atklājot datu plāksnītes parametrus un atšķirības šajā instrukcijā, prioritāte ir datu plāksnītei.

1. Vispārīgs apraksts

ARP cirkulācijas sūknis ir paredzēts ūdens cirkulācijai apkures sistēmās un māsaimniecības karstā ūdens sistēmās. ARP cirkulācijas sūknis ir aprīkots ar pastāvīgo magnētu motoru un frekvences pārveidošanas vadību, kas ļauj nepārtraukti pielāgot sūkņa veikspēju faktiskajām sistēmas prasībām. ARP cirkulācijas sūknim ir lietotājam draudzīgs vadības panelis.

ARP cirkulācijas sūkni ir viegli uzstādīt un iedarbināt. Pateicoties AUTO funkcijai (rūpnīcas iestatījums), sūkni vairumā gadījumu var iedarbināt, neveicot nekādus iestatījumus. Zems enerģijas patēriņš salīdzinājumā ar parastajiem cirkulācijas sūkņiem. Sūknis EEI' 0.23.

2. Pielietojuma veidi

2.1 Sūknētie šķidrums

Tīri, plāni, neagresīvi un neeksplozīvi šķidrums, kas nesatur cietas daļiņas, šķiedras vai minerāleļļu. Apkures sistēmās ūdenim jāatbilst pieņemtajiem standartiem par ūdens kvalitāti apkures sistēmās.



Brīdinājums!

Sūkni nedrīkst izmantot uzliesmojošu šķidrumu, piemēram, dīzeļdegvielas, benzīna un līdzīgu šķidrumu, pārsūkņēšanai.

2.2 Sistēmas spiediens

Maksimāli 1,0 MPa (10 bāri).

2.3 Apvalka klase

IP 42.

2.4 Ieplūdes spiediens

1. tabula. Minimālais ieplūdes spiediens atkarībā no šķidruma temperatūras

Šķidruma temperatūra	Minimālais ieplūdes spiediens	
	Mpa	Bar
75°C	0.005	0.05
90°C	0.028	0.28
110°C	0.108	1.08

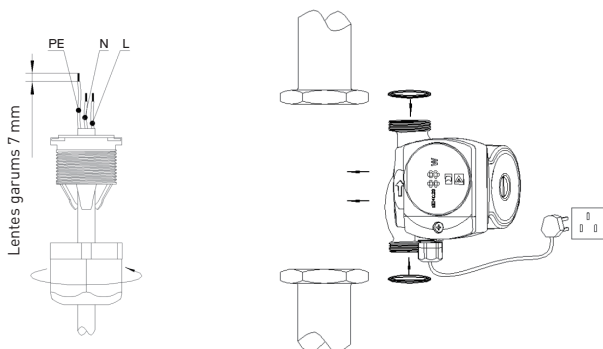
3. Elektriskais pieslēgums



Ja vien strāvas padeve nav atslēgta, lūdzu, neizmantojiet sadales kārbu elektroinstalācijas darbiem.

Sūkņim jābūt iezemētam.

Sūkņim jābūt savienotam ar ārējo tīkla slēdzi.



Elektriskie savienojumi un aizsardzība jāveic saskaņā ar vietējiem noteikumiem. Pārbaudiet, vai barošanas spriegums un frekvence atbilst vērtībām, kas norādītas uz sūkņa.

Ja sūkņa darba vieta ir tālu no barošanas avota, strāvas kabelim jābūt atbilstošam, pretējā gadījumā tas ietekmēs normālu sūkņa darbību sprieguma dēļ.

Ja sūkni izmanto ārpus telpām, strāvas kabelim jāizmanto profesionāls gumijas kabelis.

4. Vadības panelis

4.1 Elementi uz vadības paneļa

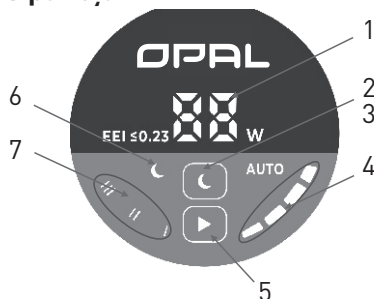


Fig.1 ARP vadības panelis

2. tabula Elementi uz vadības paneļa

Poz.	Apraksts
1	Displejs, kas rāda faktisko sūkņa patērēto jaudu vatos
2	Spiedpoga Night SetBack aktivizēšanai
3	Automātiskā režīma gaisma
4	Proporcionālā spiediena un pastāvīga spiediena režīma gaisma
5	Spiedpoga sūkņa iestatījumu izvēlei
6	Ātruma III, II, I režīma gaisma
7	Night SetBack gaisma

4.2 Displeja panelis

Displejs, poz. 1, ir ieslēgts, kad ir ieslēgta elektrība.

Displejā tiek parādīts faktiskais sūkņa enerģijas patēriņš vatos (vesels skaitlis) darbības laikā.

Ja sūknis darbojas, kad rodas kļūme, sūknis nekavējoties pārtrauc darbu, displeja panelī parādās kļūdas kods, pēc 30 sekundēm sūknis atsāk darbu. Kļūmes kodi ir norādīti 3. tabulā.

3. tabula Kļūmes kods

Kļūmes kods	Nosaukums	Apraksts
P0	Moduļa aizsardzība	IPM moduļa kļūme vai pārslodzes aizsardzība
P1	Sprieguma kļūda	Spriegums ir pārāk zems vai pārāk augsts (vairāk nekā 380 V vai mazāk nekā 120 V)
P2	Neizdevās palaist	Motors iestrēdzis vai nedarbojas
P3	Fāžu aizsardzība	Motora kabelis nav pievienots
P6	Aizsardzība pret apstāšanos	Motors nevar būt saistīts ar ārēju iemeslu sinhronu darbību
P9	Pārslodzes strāvas aizsardzība	Slodze ir pārāk liela
E5	EEPROM kļūme	Ārējās atmiņas kļūme

4.3 Spiedpoga sūkņa iestatījumu izvēlei

Katru reizi, kad tiek nospiesta poga, skat. 1. att., poz. 5, tiek mainīts sūkņa

iestatījums. Cikls ir astoņas pogas nospiešanas reizes. Skatiet 2. attēlu.

Automātiskais režīms
PP1, zemākā proporcionālā spiediena līknes režīms
PP2, augstākā proporcionālā spiediena līknes režīms
CP1, zemākā konstantā spiediena līknes režīms
CP2, augstākā konstantā spiediena līknes režīms
I konstantā līkne, ātruma I režīms
II konstantā līkne, ātruma II režīms
III konstantā līkne, ātruma III režīms

Fig.2 Spiedpoga sūkņa iestatījumu izvēlei

4.4 Apgaismojums

Gaismas laukumi ir šādi:

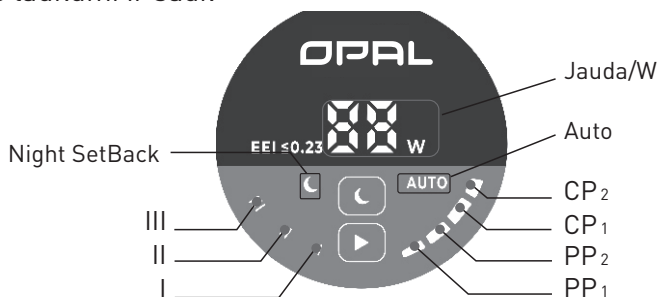




fig.3 ARP vadības panelis

4.5 Spiedpoga Night SetBack aktivizēšanai,  skat. 1. att., 5. poz., spiedpoga Night SetBack aktivizēšanai Pēc nakts režīma aktivizēšanas idegas gaisma ( sk. 3. att.).

5. Sūkņa iestatīšana

5.1 Sūkņa iestatījumi sistēmas tipam

Ieteicamie un alternatīvie sūkņa iestatījumi saskaņā ar 4. tabulu.

4. tabula Sūkņa iestatījumi sistēmas tipam

Sistēmas tips	Sūkņa iestatījums	
	Ieteicamais	Alternatīva
Zemgrīdas apkure	Auto	Augstākā konstantā spiediena līknes režīms (CP2) vai zemākā konstantā spiediena līknes režīms (CP1)
Divcauruļu sistēmas	Auto	Augstākā proporcionālā spiediena līknes režīms (PP2)
Viencauruļu sistēmas	Zemākā proporcionālā spiediena līknes režīms (PP1)	Augstākā proporcionālā spiediena līknes režīms (PP2)

5.2 Sūkņa vadība

Darbības laikā sūkņa augstums tiek regulēts pēc principa "proportionālā spiediena regulēšana" (PP) vai "konstantā spiediena regulēšana" (CP).

Proportcionālā spiediena regulēšana. Šajā vadības režīmā diferenciālais spiediens sūkņī tiek regulēts atkarībā no plūsmas.

Pastāvīgā spiediena regulēšana. Šajā vadības režīmā tiek uzturēts nemainīgs diferenciālais spiediens sūkņī neatkarīgi no plūsmas.

6. Night SetBack

Nospiediet spiedpogu, lai aktivizētu nakts režīmu Night SetBack, atļaidiet spiedpogu pēc gaidīšanas indikatora, lai ieslēgtu Night SetBack režīmu.

7. Darbības uzsākšana

Neiedarbiniet sūkni, kamēr sistēma nav piepildīta ar šķidrumu un atgaisota. Sūkņa ieplūdes atverē jābūt vajadzīgajam minimālajam ieplūdes spiedienam.

Gaiss sūkņī var radīt troksni. Šis troksnis beidzas pēc dažām darbības minūtēm. Ātra sūkņa atgaisošana var notikt, iestatot sūkni uz III ātrumu uz īsu laiku, atkarībā no sistēmas lieluma un konstrukcijas.

Kad sūknis ir atgaisots, t. i., kad troksnis ir pārstājies, iestatiet sūkni saskaņā ar ieteikumiem.

8. Sūkņa iestatījumu un sūkņa veiktspējas attiecība

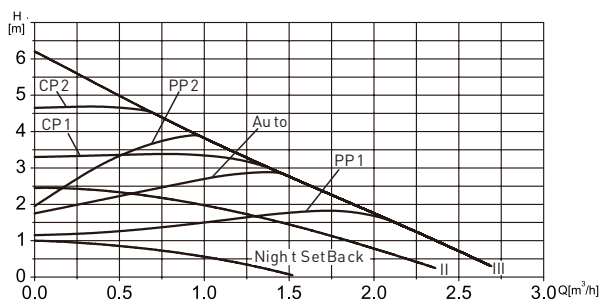



Fig.4 ARP veiktspējas līknes

5. tabula Sūkņa iestatījumu un sūkņa veiktspējas attiecība

Iestatīšana	Sūkņa līkne	Funkcija
Auto	Proportcionālā spiediena līkne no augstākās līdz zemākajai	AUTO funkcija ļauj ARP automātiski kontrolēt sūkņa veiktspēju noteiktā veiktspējas diapazonā, pielāgojot sūkņa veiktspēju slodzes svārstībām laika gaitā. AUTO režīmā sūknis ir iestatīts proporcionālai spiediena kontrolei.
PP1	Zemākā proporcionālā spiediena līkne	Sūkņa darba punkts atkarībā no ūdens pieprasījuma pārvietojas augšup vai lejup pa zemāko proporcionālā spiediena līkni. Ūdens patēriņa samazināšanās gadījumā spiediens samazinās, bet ūdens patēriņa pieauguma gadījumā – palielinās.

PP2	Augstākā proporcionālā spiediena līkne	Sūkņa darba punkts atkarībā no ūdens pieprasījuma pārvietojas uz augšu vai uz leju pa augstāko proporcionālā spiediena līkni. Ūdens patēriņa samazināšanās gadījumā spiediens samazinās, bet ūdens patēriņa pieauguma gadījumā – palielinās.
CP1	Zemākā konstantā spiediena līkne	Sūkņa darbības punkts atkarībā no ūdens pieprasījuma sistēmā pārvietojas pa zemāko pastāvīgā spiediena līkni. Neatkarīgi no ūdens patēriņa spiediens ir nemainīgs.
CP2	Augstākā pastāvīgā spiediena līkne	Sūkņa darba punkts atkarībā no ūdens pieprasījuma sistēmā pārvietojas pa augstāko konstantā spiediena līkni uz āru vai uz iekšu. Neatkarīgi no ūdens patēriņa spiediens ir nemainīgs.
III	Ātrums III	ARP darbojas ar nemainīgu ātrumu un līdz ar to ar nemainīgu līkni. III ātruma režīmā sūknis ir iestatīts darbam uz maksimālo līkni visos darba apstākļos. Ātra sūkņa atgaisošana var notikt, uz īsu brīdi iestatot sūkni uz III ātrumu.
II	Ātrums II	ARP darbojas ar nemainīgu ātrumu un līdz ar to ar nemainīgu līkni. II ātruma režīmā sūknis ir iestatīts tā, lai visos darba apstākļos darbotos pēc vidējās līknes.
I	Ātrums I	ARP darbojas ar nemainīgu ātrumu un līdz ar to ar nemainīgu līkni. I ātruma režīmā sūknis ir iestatīts tā, lai visos darba apstākļos darbotos pēc minimālās līknes.
	Night SetBack	ARP mainās uz nakts iestatīšanas līkni, t. i., absolūto minimālo veikspēju un enerģijas patēriņu, ja ir izpildīti konkrēti nosacījumi.

9. Kļūmju noteikšanas diagramma



Lūdzu, salabojiet sūkni pēc strāvas izslēgšanas

6. tabula Kļūmju noteikšanas diagramma

Kļūme	Cēlonis	Risinājums
Motors nestrādā	Instalācijā ir izsists viens drošinātājs.	Nomainiet drošinātāju.
	Dzinējs ir iestrēdzis.	Rotora rotācija ar skrūvgriezi.
	Sūknis ir bloķēts.	Iztīriet piemaisījumus.
	Elektroapgādes traucējumi. Iespējams, ir pārāk zems.	Pārbaudiet, vai elektrības padeve atbilst noteiktajam diapazonam.
	Kondensators bojāts.	Nomainiet kondensatoru.
Normāla motora darbība, sūknis nevar sūknēt ūdeni	Ūdensvadā ir gaiss.	Salabojiet ūdensvadu.
	Ieplūdē gruži	Iztīriet gružus
Trokšņi sistēmā	Plūsma ir pārāk liela.	Samaziniet sūkšanas galvu.
	Gaiss sistēmā.	Atgaisojiet sistēmu.
Troksnis sūknī	Gaiss sūknī.	Atgaisojiet sūkni.
	Ieplūdes spiediens ir pārāk	Palieliniet ieplūdes spiedienu.
Piezīme. Kļūmju kodu rādījumi ir parādīti 3. tabulā		

10. Tehniskie dati un uzstādīšanas izmēri

10.1 Tehniskie dati

7. tabula Tehniskie dati

Barošanas spriegums	(220~240V) ± 5%	
Frekvence	50Hz ± 1%	
Apvalka klase	IP42	
Izolācijas klase	H	
Relatīvais gaisa mitrums	Maksimums 95%	
Sistēmas spiediens	Maksimālais spiediens 1,0 MPa, 10 bāri, 102 m augstums	
Ieplūdes spiediens	Šķidrums temperatūra	Minimālais ieplūdes spiediens
	≤75°C	0,05 bar / 0,005 Mpa / 0,5 m augstums
	+90°C	0,28 bar / 0,028 Mpa / 2,8 m augstums
	+110°C	1,08 bar / 0,108 Mpa / 10,8 m augstums
Šķidrums temperatūra	2°C~110°C	
Apkārtējās vides temperatūra	0°C~40°C	
Temperatūras klase	TF110	
PH	6~9	

Lai izvairītos no kondensāta veidošanās vadības blokā un statorā, šķidrums temperatūrai vienmēr jābūt augstākai par apkārtējās vides temperatūru. Skatīt 8. tabulu.

8. tabula Attiecība starp apkārtējās vides temperatūru un šķidrums temperatūru

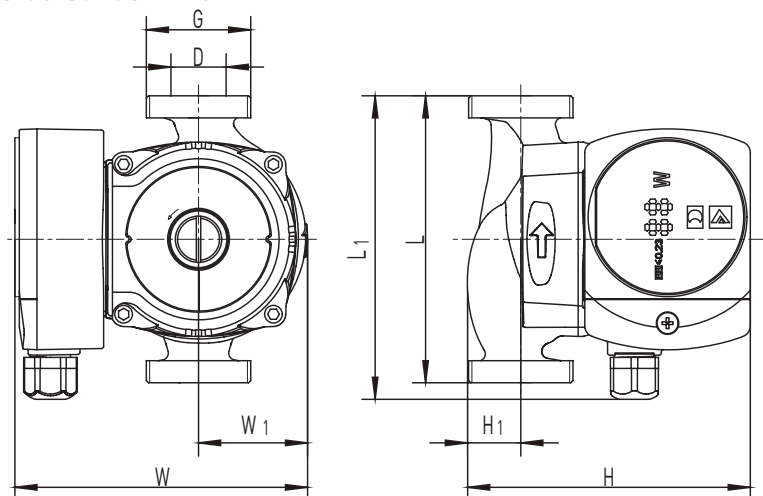
apkārtējās vides temperatūra (°C)	šķidrums temperatūra (°C)	
	Min.	Maks.
0	2	110
10	10	110
20	20	110
30	30	110
35	35	90
40	40	70

Mājsaimniecības karstā ūdens sistēmās šķidrums temperatūru ieteicams uzturēt zemāku par 65°C, lai novērstu kaļķakmens nogulšņu veidošanās risku.

9. tabula ARP Tehniskie dati

Sūkņa tips	Maks. plūsma m ³ /h	Maksimālais augstums m	Nominālā plūsma m ³ /h	Nominālais augstums m	Ieejas jauda W	kalibrs mm	EEl	Cauruļvads
DFM886 (ARP25-60/180)	2.7	6.0	1.4	3.5	45	Φ25	≤0.23	G1×G1

10.2 Uzstādīšanas izmēri



10. tabula ARP uzstādīšanas izmēri

Modelis	L(mm)	W(mm)	H(mm)	L1(mm)	W1(mm)	H1(mm)	G	D(mm)
DFM886 (ARP25-60/180)	180	135	130	165	50	25	G1.5	Φ25

11. Veiktspējas līknes

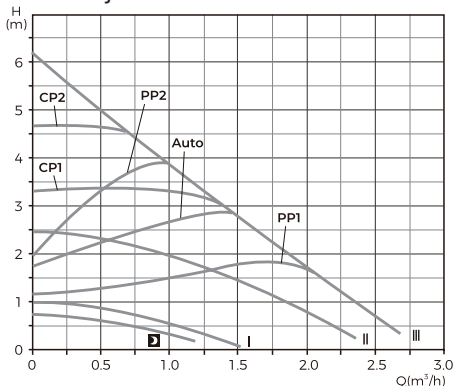
Turpmāk sniegtās vadlīnijas attiecas uz nākamajās lappusēs redzamajām līknēm:

Testa šķidrums: Bezgaisa ūdens.

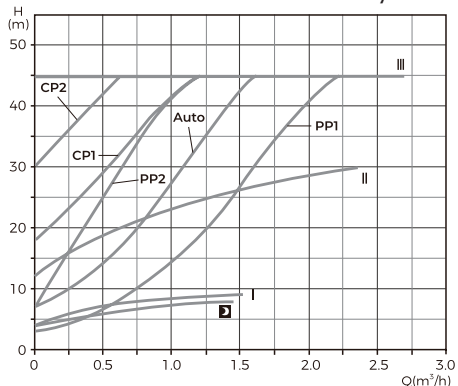
Visas līknes rāda vidējās vērtības, un tās nedrīkst izmantot kā garantijas līknes. Ja tiek prasīta konkrēta minimālā veiktspēja, jāveic individuāli mērījumi.

I, II un III ātruma līknes ir atzīmētas.

Skaidrojums: ARPXX-60 līknes (Q-H, Q-P1) attiecas uz šādiem modeļiem:



ARPXX-60 Q-H



ARPXX-60 Q-P1

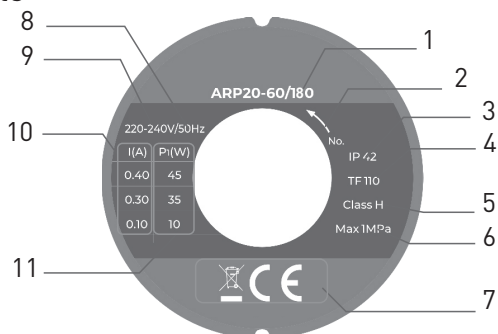
12. Modelis un datu plāksnīte

12.1 Modelis

ARP 25 - 60 X / 180

- Attālums starp ieplūdes un izplūdes atveri (mm)
- Nav identifikācijas = čuguna sūkņa korpusis
- B = bronzas sūkņa korpusis
- P = plastmasas sūkņa korpusis
- Maksimālais augstums (dm)
- Ieplūdes / izplūdes diametrs (mm)
- LEO ARP cirkulācijas sūknis

12.2 Datu plāksnīte

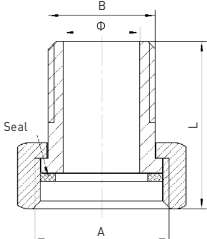



11. tabula ARP datu plāksnīte

Poz.	Apraksts	Poz.	Apraksts
1	Sūkņa tips	9	Frekvence (Hz)
2	Darba rotora rotācijas virziens	10	III ātruma strāva, I(A)
3	Apvalka klase		II ātruma strāva, I(A)
4	Temperatūras klase		I ātruma strāva, I(A)
5	Izolācijas klase	11	Ātrums III, maksimālā ieejas jauda, P1(W)
6	Maksimālais sistēmas spiediens		Ātrums II, maksimālā ieejas jauda, P1(W)
7	CE		Ātrums I, maksimālā ieejas jauda, P1(W)
8	Barošanas spriegums		

13. Piederumi (pēc izvēles)

12. tabula cauruļu savienojums

Sūkņa tips	Piemērs	Attēls	A	B	Φ	L
DFM886 (ARP25-60/180)		 G1" G1 ¹ / ₂	G11/2	G1	Φ41	36

14. Tīrīšana un apkope

Normālos ekspluatācijas apstākļos sūknim nav nepieciešama apkope, ieteicams uzturēt tīru ūdens kvalitāti.

Ja pastāv sasalšanas bojājumu risks, aizveriet ieplūdes vārstu un atveriet izplūdes vārstu, iztukšojiet ūdeni.

Vasarā vai tad, ja apkārtējā temperatūra ir augsta, pievērsiet uzmanību ventilācijai.



Pārsvītrotas atkritumu tvertnes nozīme:

Nelikvidējiet elektriskas ierīces kā nešķirotus sadzīves atkritumus, nogādājiet tos atsevišķās savākšanas vietās.

Informāciju par pieejamajām savākšanas sistēmām varat noskaidrot savā pašvaldībā.

Ja elektriskas ierīces likvidē atkritumu poligonos vai izgāztuvēs, gruntsūdeņos var noplūst bīstamas vielas, un tās var nokļūt pārtikas aprītē, pasliktinot jūsu veselību un labsajūtu.

Nomainot vecās ierīces pret jaunām, mazumtirgotājam ir juridisks pienākums vismaz bez maksas pieņemt atpakaļ jūsu veco ierīci utilizācijai.

Garantija

Mēs īpaši rūpīgi izvēlamies augstas kvalitātes materiālus un izmantojam ražošanas paņēmienus, kas ļauj mums radīt izstrādājumus, kuros apvienots dizains un izturība. Šim izstrādājumam (DFM886) ir 2 gadu ražotāja garantija pret ražošanas defektiem, sākot no iegādes datuma (ja iegādāts veikalā) vai piegādes datuma (ja iegādāts tiešsaistē), bez papildu izmaksām.

Lai iesniegtu prasību saskaņā ar šo garantiju, jums ir jāuzrāda pirkumu apliecinošs dokuments (piemēram, pirkuma kvīts, pirkuma rēķins vai cits pierādījums, kas ir pieļaujams saskaņā ar piemērojamiem tiesību aktiem); lūdzu, glabājiet pirkumu apliecinājošu dokumentu drošā vietā. Lai piemērotu šo garantiju, iegādātajam izstrādājumam jābūt jaunam, tā neattiecas uz lietotiem vai izstādītiem izstrādājumiem. Ja vien piemērojamie tiesību akti nenosaka citādi, jebkuram saskaņā ar šo garantiju izsniegtajam rezerves izstrādājumam garantija tiek piešķirta tikai līdz sākotnējā garantijas termiņa beigām.

Šī garantija attiecas uz izstrādājuma kļūmēm un darbības traucējumiem, ja izstrādājums tika izmantots tam paredzētajam mērķim un ja tas tika uzstādīts, tīrīts, kopts un uzturēts saskaņā ar šajos noteikumos un nosacījumos, lietotāja rokasgrāmatā un standarta praksē iekļauto informāciju, ja vien standarta prakse nav pretrunā ar lietotāja rokasgrāmatu.

Šī garantija neattiecas uz defektiem un bojājumiem, kas radušies normāla nolietojuma vai bojājumu rezultātā, kas varētu būt radušies nepareizas lietošanas, nepareizas uzstādīšanas vai montāžas, nolaidības, nelaiemes gadījuma, nepareizas lietošanas vai izstrādājuma pārveidošanas rezultātā. Ja vien piemērojamie tiesību akti nenosaka citādi, šī garantija nekādā gadījumā nesedz papildu izmaksas (transportēšanas, pārvietošanas, noņemšanas un atkārtotas uzstādīšanas, darbaspēka u. c. izmaksas), kā arī tiešos un netiešos zaudējumus.

Šī garantija neattiecas uz defektiem un bojājumiem, kas radušies no:

- Parasts nolietojuma;
- Pārslodzes, nepareizas lietošanas vai nolaidības;
- Remontdarbiem, ko mēģina veikt jebkura cita persona, kas nav pilnvarotais pārstāvis;
- Kosmētiskiem bojājumiem;
- Kaitējuma, ko izraisa svešķermeņi, nepiederošas vielas vai nelaiemes gadījumi;
- Nejaušiem bojājumiem vai modifikācijām;
- Ražotāja norādījumu neievērošanas;
- Preču lietošanas zaudējuma.

Ja precei ir defekts, mēs saprātīgā termiņā to salabosim vai nomainīsim. Tiesības saskaņā ar šo garantiju ir īstenojamas valstī, kurā iegādājāties šo izstrādājumu. Ar garantiju saistīti jautājumi jāadresē veikalam, kurā iegādājāties šo izstrādājumu.

Garantija papildina un neietekmē jūsu likumā noteiktās tiesības.

LV

Atbilstības deklarācija

Mēs,

Onninen Oy

Adrese: Satamakatu 3, FI-00160, Helsinki, Finland

Tālrunis: +358-10 53032

uzņemoties pilnu atbildību, apliecinām, ka ražojums

Aprīkojums: Cirkulācijas sūkņis

Zīmols: OPAL

MODELS /tips: DFM886/ARP25-60/180

Atbilst

Low Voltage Directive (LVD) 2014/35/EU,

Direktīvai 2014/30/EK par elektromagnētisko savietojamību

RoHS 2011/65/EU Annex II&(EU) 2015/863

un šiem saskaņotajiem standartiem un tehniskajām specifikācijām:

LVD:

EN 60335-1:2012+A11+A13+A1+A14+A2+A15

EN 60335-2-51:2003+A1+A2

EN 62233:2008

EMC:

EN IEC 55014-1:2021

EN IEC 55014-2:2021

EN IEC 61000-3-2:2019+A1

EN 61000-3-3:2013+A1+A2

Helsinki, Finland, October 30th, 2024

Kesko Corporation Group Companies



Ville Särkilähti - General Manager

Saugos informacija (LT)

Bendrieji saugos įspėjimai

- Šiuo prietaisu gali naudotis vaikai nuo 8 metų ir vyresni, taip pat asmenys su ribotais fiziniais, jutiminiais ir protiniais gebėjimais arba neturintys patirties ir žinių, jei jie yra prižiūrimi arba buvo instruktuoti, kaip saugiai naudotis prietaisu, ir supranta su tuo susijusius pavojus. Valymo ir priežiūros darbų negali atlikti vaikai, išskyrus atvejus, kai jie yra vyresni nei 8 metų amžiaus ir prižiūrimi.
- Prieš montuodami, ardydami ar valydami prietaisą visada atjunkite jį nuo elektros tinklo.
- Prietaisus gali naudoti asmenys, kurių fiziniai, jutiminiai ar protiniai gebėjimai yra riboti arba kuriems trūksta patirties ir žinių, jei jie buvo prižiūrimi arba instruktuojami, kaip saugiai naudoti prietaisą, ir jei jie supranta su tuo susijusius pavojus.
- Neleiskite vaikams žaisti su prietaisu.
- Siurbliai, ant kurių nėra nuorodos, kad jie yra apsaugoti nuo užšalimo, neturi būti paliekami lauke šaltuoju metų laiku.
- Dėmesio! Jei maitinimo laidas pažeistas, jį turi pakeisti gamintojas, jo techninės priežiūros atstovas arba panašią kvalifikaciją turintis asmenys, kad būtų išvengta pavojaus saugai.
- Susipažinkite su veikimu, reguliavimu ir

funkcijomis. Laikykitės saugos ir naudojimo instrukcijų, kad išvengtumėte galimos rizikos ir pavojaus.

- Jei perskaitę naudojimo instrukciją turite klausimų, kreipkitės į kvalifikuotą specialistą arba prekybos atstovą.
- Instrukcijos vadovą laikykite taip, kad jis būtų prieinamas visiems naudotojams. Taip pat perduokite jį, kai duodate gaminį pasinaudoti kitiems asmenims.
- Jokiu būdu nebandykite modifikuoti gaminio. Naudokite tik gamintojo rekomenduojamus priedus ir papildomas detales.
- Gaminį naudokite tik vadovaudamiesi šia naudojimo instrukcija. Netinkamas naudojimas ir neteisingas valdymas kelia pavojų žmonėms ir turtui.
- Nenaudokite gaminio, jei matoma, kad gaminys pažeistas. Prieš kiekvieną naudojimą patikrinkite maitinimo laidą, kištuką, prijungtas žarnas ir korpusą. Sugedę gaminiai turi būti taisomi arba tinkamai utilizuojami.
- Jei laidas ar gaminys yra pažeistas arba įvyko gedimas, nedelsdami atjunkite gaminį nuo maitinimo šaltinio.
- Gaminio remontą gali atlikti tik kvalifikuotas specialistas. Netinkamai atliktas remontas gali sukelti elektros smūgį arba kitus nelaimingus

atsitikimus.

- Norėdami atjungti gaminį nuo maitinimo šaltinio, traukite kištuką, o ne maitinimo laidą.
- Neleiskite maitinimo laidui kaboti, jo nesuspauskite ir nelankstykite.
- Jei reikia naudoti ilgintuvą, naudokite šio gaminio techninius reikalavimus atitinkančius ilgintuvus. Jei gaminius naudojate lauke, naudokite lauko sąlygoms pritaikytą prailgintuvą.

Siurblio saugos įspėjimai

- Prietaisas turi būti sumontuotas laikantis šalyje galiojančių elektros instaliacijos reglamentų.
- Siurblys turi būti maitinamas per likutinės srovės įtaisą (RCD), kurio vardinė likutinė darbinė srovė neviršija 30 mA.
- Tinkamomis priemonėmis neleiskite vaikams pasinaudoti prietaisu.
- Įsitikinkite, kad siurbliu nebus siurbiami jūros gyvūnai (pvz., žuvis).
- Turėkite omenyje, kad siurbiamas skystis gali būti užterštas dėl tepalų nuotėkio.
- Saugokite elektros jungtis ir laidus nuo karščio, alyvos, aštrių briaunų ir drėgmės.
- Saugokite siurblij nuo šalčio ir veikimo sausa eiga.
- Nepumpuokite skysčių su smėliu ar kitomis abrazyvinėmis medžiagomis. Dėl to padidėja

dėvėjimasis ir sumažėja siurblio našumas.

- Gaminys skirtas švaraus vandens pumpavimui, kurio suspenduotų priemaišų skersmuo neviršija 1 mm.
- Niekada nenaudokite siurblio, kai yra vandens užšalimo rizika.

Skubūs atvejai

Susipažinkite su šio gaminio naudojimu vadovaudamiesi šia naudojimo instrukcija. Įsiminkite saugos nurodymus ir tiksliai jų laikykitės. Tai padės išvengti rizikos ir pavojų.

1. Visada būkite budrūs naudodami šį gaminį, kad galėtumėte laiku atpažinti ir pašalinti riziką. Greita reakcija gali padėti išvengti rimtų sužalojimų ir žalos turtui.
2. Esant veikimo sutrikimams, atjunkite siurblių nuo maitinimo šaltinio. Prieš vėl pradėdami naudoti gaminį, leiskite jį patikrinti kvalifikuotam specialistui ir, jei reikia, pataisyti.

Liekamosios rizikos

Net jei šį gaminį naudojate laikydamiesi visų saugos reikalavimų, išlieka galimas pavojus susižeisti ir sugadinti gaminį. Dėl šio gaminio konstrukcijos ir dizaino gali kilti šie pavojai:

1. sveikatos sutrikimai, atsirandantys dėl skleidžiamos vibracijos, jei gaminys naudojamas ilgą laiką arba nėra tinkamai valdomas ir prižiūrimas;
2. sužalojimai ir materialinė žala dėl sulūžusių papildomų detalių arba staigaus paslėptų daiktų smūgio naudojimo metu;
3. pavojus susižeisti ir sugadinti turtą dėl skraidančių objektų;
4. sprogo rizika.



ĮSPĖJIMAS! Šis gaminys veikimo metu sukuria elektromagnetinį lauką! Šis laukas tam tikromis aplinkybėmis gali sutrikdyti aktyvias arba pasyvias medicinos priemones! Siekiant sumažinti sunkių ar mirtinų sužalojimų riziką, rekomenduojame asmenims, turintiems medicininių priemonių, prieš

naudojant šį gaminį pasikonsultuoti su gydytoju ir medicinos priemonių gamintoju!

Įžanga

Prieš naudodami šį gaminį, atidžiai perskaitykite instrukcijas. Gamintojas neprisiima jokios atsakomybės už bet kokias nesėkmes ir nuostolius, atsiradusius dėl šioje specifikacijoje pateiktų nuostatų nesilaikymo. Saugokite visus dokumentus. Jei turite klausimų, skambinkite, išsiųskite laišką arba kreipkitės į vietos prekybos atstovą. Visa šioje instrukcijoje, schemose ir specifikacijose pateikta informacija yra paskelbta naujausioje gaminio informacinėje medžiagoje. Atsižvelgiant į tai, kad gaminiai nuolat atnaujinami, jei nustatoma skirtumų tarp ant vardinės lentelės pateiktų parametų ir šioje instrukcijoje pateiktos informacijos, pirmenybė teikiama informacijai nurodytai ant vardinės plokštelės.

1. Bendras aprašas

ARP cirkuliacinis siurblys skirtas vandens cirkuliacijai šildymo sistemose ir buitinio karšto vandens sistemose. ARP cirkuliaciniame siurblyje įmontuotas nuolatinių magnetų variklis ir dažnio keitiklio valdymas, suteikiantis galimybę nuolat reguliuoti siurblio našumą pagal faktinius sistemos reikalavimus. ARP cirkuliacinis siurblys turi patogų valdymo skydelį.

ARP cirkuliacinį siurblių lengva sumontuoti ir paleisti. Dėl AUTO funkcijos (gamyklinis nustatymas) siurblių daugeliu atvejų galima paleisti neatliekant jokių nustatymų pakeitimų. Mažos energijos sąnaudos, palyginti su įprastais cirkuliaciniais siurbliais. EEI siurblys' 0,23.

2. NAUDOJIMO SRITYS

2.1 Siurbiami skysčiai

Švarūs, ploni, neabrazyvūs ir nesprogstantys skysčiai, kuriuose nėra kietųjų dalelių, pluošto ar mineralinės alyvos. Šildymo sistemose vanduo turi atitikti patvirtintų šildymo sistemų vandens kokybės standartų reikalavimus.



Įspėjimas

Siurblio negalima naudoti degiems skysčiams, pavyzdžiui, dyzelinui, benzinui ir panašioms skysčiams, pumpuoti.

2.2 Sistemos slėgis

Ne daugiau kaip 1,0 MPa (10 barų).

2.3 Korpuso klasė

IP 42.

2.4 Įsiurbimo slėgis

1 lentelė. Mažiausias įsiurbimo slėgis priklausomai nuo skysčio temperatūros

Skysčio temperatūra	Mažiausias įsiurbimo slėgis	
	Mpa	Bar
75°C	0.005	0.05
90°C	0.028	0.28
110°C	0.108	1.08

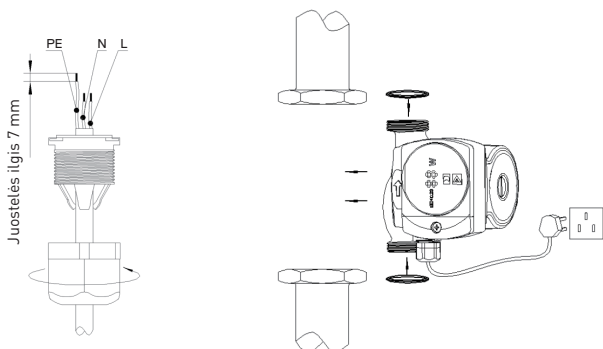
3. Elektros jungtis



Jei elektros energijos tiekimas nėra išjungtas, neatlikite jokių elektros instaliacijos tvarkymo darbų.

Siurblys turi būti įžemintas.

Siurblys turi būti prijungtas prie išorinio tinklo jungiklio.



Elektros jungtis ir jų apsauga turi būti tvarkomi pagal vietines taisykles. Patikrinkite, ar maitinimo įtampa ir dažnis atitinka ant siurblio nurodytas vertes.

Jei siurblio darbo vieta yra toli nuo maitinimo šaltinio, maitinimo kabelis turi būti tinkamas, kitaip dėl įtampos bus sutrikdytas įprastas siurblio darbas.

Jei siurblys naudojamas lauke, privalote naudoti profesionalų guminį maitinimo kabelį.

4. Valdymo skydelis

4.1 Valdymo skydelio elementai

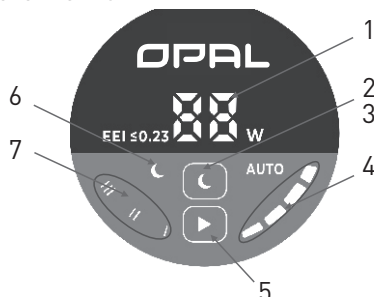


Fig.1 ARP valdymo skydelis

2 lentelė. Valdymo skydelio elementai

Vieta	Aprašas
1	Ekranas, rodantis faktinį siurblio suvartojamos galios kiekį vatais
2	„Night SetBack“ įjungimo mygtukas
3	Automatinio režimo lemputė
4	Proporcinio slėgio ir pastovaus slėgio režimo lemputė
5	Mygtukas siurblio nustatymui pasirinkti
6	Greičio III, II, I režimo lemputė
7	„Night SetBack“ lemputė

4.2 Ekranų skydelis

Ekranas, poz. 1, įsijungia, kai įjungiamas elektros tiekimas.

Ekране rodoma faktinė siurblio suvartojama galia vatais (sveikuoju skaičiumi) darbo metu.

Veikiant siurbliui ir įvykus gedimui, siurblys iš karto nustoja veikti, ekrano skydelyje rodomas gedimo kodas, siurblys įsijungia iš naujo po 30 s.

Gedimų kodai pateikti 3 lentelėje.

3 lentelė. Gedimo kodas

Gedimo kodas	Pavadinimas	Aprašas
P0	Modulio apsauga	IPM modulio gedimas arba apsauga nuo per didelės srovės
P1	Įtampos klaida	Įtampa yra per maža arba per didelė (daugiau kaip 380 V arba mažiau kaip 120 V)
P2	Nepavyko paleisti	Variklis užstrigo arba neveikia
P3	Fazės apsauga	Variklio kabelis neprijungtas
P6	Apsauga nuo priverstinio sustabdymo	Variklis negali veikti dėl išorinių priežasčių, kas sutrukdo sinchroninį veikimą
P9	Apsauga nuo per didelės srovės	Apkrova yra per didelė
E5	EEPROM gedimas	Išorinės atminties gedimas

4.3 Mygtukas siurblio nustatymui pasirinkti

Kiekvieną kartą, kai paspaudžiamas mygtukas, žr. 1 pav.1, poz. 5 pakeičiamas siurblio nustatymas. Ciklą sudaro aštuoni mygtuko paspaudimai. Žr. 2. pav.

Automatinis režimas
PP1, žemiausios proporcingo slėgio kreivės režimas
PP2, aukščiausios proporcingo slėgio kreivės režimas
CP1, žemiausios pastovaus slėgio kreivės režimas
CP2, aukščiausios pastovaus slėgio kreivės režimas
I Pastovi kreivė, greitis I režimas
II Pastovi kreivė, II greičio režimas
III Pastovi kreivė, III greičio režimas

Fig.2 Mygtukas siurblio nustatymui pasirinkti

4.4 Žibintai

Šviesūs plotai yra tokie:

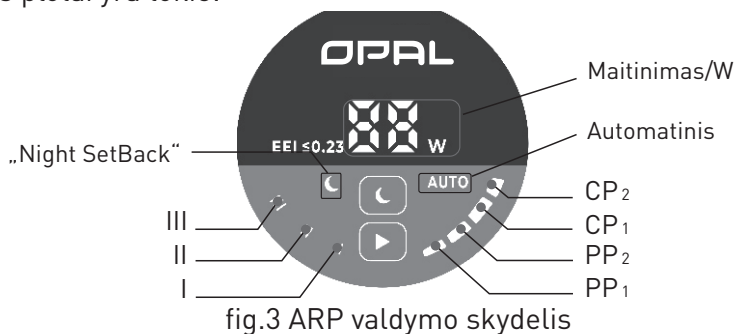



fig.3 ARP valdymo skydelis

4.5 Mygtukas „Night SetBack“ įjungimui  žr. 1 pav.5, **Mygtukas „Night SetBack“ įjungimui įjungus naktinį režimą, užsidega lemputė**  (žr. 3 pav.).

5. Siurblio nustatymas

5.1 Siurblio nustatymas pagal sistemos tipą

Rekomenduojami ir alternatyvūs siurblio nustatymai pagal 4 lentelę. 4 lentelė. Siurblio nustatymas pagal sistemos tipą

Sistemos tipas	Siurblio nustatymas	
	Rekomenduojama	Alternatyva
Grindinis šildymas	Automatinis	Aukščiausios pastovaus slėgio kreivės režimas (CP2) arba žemiausios pastovaus slėgio kreivės režimas (CP1)
Dviejų vamzdžių sistemos	Automatinis	Aukščiausias proporcingo slėgio kreivės režimas (PP2)
Vieno vamzdžio sistemos	Mažiausio proporcingo slėgio kreivės režimas (PP1)	Aukščiausias proporcingo slėgio kreivės režimas (PP2)

5.2 Siurblio valdymas

Eksplotacijos metu siurblio galvutė valdoma pagal principą "proporcingas slėgio valdymas" (PP) arba "pastovaus slėgio valdymas" (CP).

Proporcinis slėgio valdymas Šiuo valdymo režimu slėgio skirtumas siurblyje valdomas priklausomai nuo srauto.

Pastovaus slėgio valdymas Šiuo valdymo režimu palaikomas pastovus slėgių skirtumas siurblyje, nepriklausomai nuo srauto.

6. „Night SetBack“

Paspauskite mygtuką, kad įjungtumėte "Night SetBack", atleiskite mygtuką, palaukę, kol užsidegs indikatorius, ir įjunkite „Night SetBack“.

7. Paleidimas

Nepaleiskite siurblio, kol sistema nebus pripildyta skysčio ir išvėdinta.

Siurblio įėjime turi būti reikiamas minimalus įleidimo slėgis.

Siurblyje esantis oras gali kelti triukšmą. Šis triukšmas liaujasi po kelių minučių darbo.

Greitą siurblio išleidimą galima pasiekti trumpam nustačius III greitį, priklausomai nuo sistemos dydžio ir konstrukcijos.

Kai siurblys bus išvėdintas, t. y. kai nustos sklisti triukšmas, nustatykite siurblių pagal rekomendacijas.

8. Siurblio nustatymų ir siurblio našumo santykis

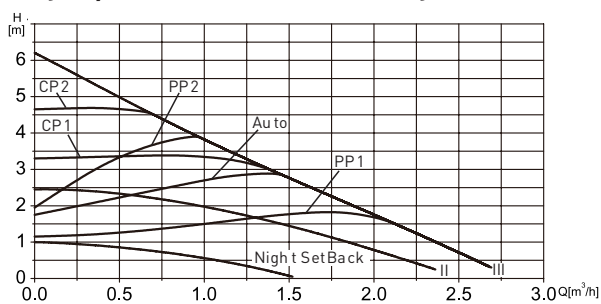



Fig.4 ARP našumo kreivės

5 lentelė. Siurblio nustatymų ir siurblio našumo santykis

Nustatymas	Siurblio kreivė	Funkcija
Automatinis	Nuo didžiausios iki mažiausios proporcinio slėgio kreivės	Funkcija AUTO leidžia ARP automatiškai valdyti siurblio našumą apibrėžtame našumo diapazone, pritaikant siurblio našumą prie apkrovos svyravimų per tam tikrą laiką. Įjungus AUTO režimą, siurblys nustatomas į proporcinį slėgio valdymą.
PP1	Žemiausia proporcinio slėgio kreivė	Priklausomai nuo vandens poreikio, siurblio veikimo taškas judės aukščiau arba žemyn pagal žemiausią proporcingo slėgio kreivę. Mažėjant vandens lygiui slėgis mažėja, o jam kylant – didėja.

PP2	Aukščiausia proporcinio slėgio kreivė	Priklausomai nuo vandens poreikio, siurblio veikimo taškas judės aukštyn arba žemyn pagal aukščiausią proporcingo slėgio kreivę. Mažėjant vandens lygiui slėgis mažėja, o jam kylant – didėja.
CP1	Žemiausia pastovaus slėgio kreivė	Priklausomai nuo vandens poreikio sistemoje, siurblio darbo taškas pasislenka arba įeina į žemiausią pastovaus slėgio kreivę. Aukštis (slėgis) išlieka pastovus, neatsižvelgiant į vandens poreikį.
CP2	Aukščiausia pastovaus slėgio kreivė	Priklausomai nuo vandens poreikio sistemoje, siurblio darbo taškas pasislenka arba pasislenka pagal aukščiausią pastovaus slėgio kreivę. Aukštis (slėgis) išlieka pastovus, neatsižvelgiant į vandens poreikį.
III	Greitis III	ARP veikia pastoviu greičiu, kreivė pastovi. Esant III greičiui, siurblys nustatomas taip, kad dirbtų maksimalia kreive visomis darbo sąlygomis. Greitą siurblio išleidimą galima pasiekti trumpam nustačius III greitį.
II	Greitis II	ARP veikia pastoviu greičiu, kreivė pastovi. Esant II greičiui, siurblys nustatomas taip, kad visomis darbo sąlygomis veiktų pagal vidutinio greičio kreivę.
I	Greitis I	ARP veikia pastoviu greičiu, kreivė pastovi. Esant I greičiui, siurblys nustatomas taip, kad visomis darbo sąlygomis veiktų pagal minimalią kreivę.
	„Night SetBack“	ARP keičia „Night SetBack“ kreivę, t. y. absoliučiai mažiausią našumą ir energijos suvartojimą, jei tenkinamos tam tikros sąlygos.

9. Gedimų nustatymo schema



Remontuokite siurblij po to, kai išjungsitė maitinimą

6 lentelė. Gedimų nustatymo schema

Gedimas	Priežastis	Taisyimas
Variklis neveikia	Perdegė vienas prietaiso saugiklis.	Pakeiskite saugiklij
	Variklis užstrigo.	Pasukite variklio rotorij atsuktuvu.
	Siurblys yra užblokuotas.	Pašalinkite priemaišas.
	Elektros energijos tiekimo sutrikimas. Gali būti per maža elektros įtampa.	Patikrinkite, ar elektros energijos tiekimas atitinka nurodytą diapazoną.
	Sugadintas kondensatorius.	Pakeiskite kondensatorių.
Variklis veikia įprastai bet, siurblys nepumpuoja vandens	Vandens žarnoje yra oro.	Išleiskite orą iš vandens žarnos.
	Vandenyje randama purvo.	Išvalykite purvą.
Triukšmas sistemoje	Srautas yra per didelis.	Sumažinkite siurbimo galvutę.
	Sistemoje yra oro.	Išleiskite orą.

Siurblio triukšmas	Siurblyje yra oro.	Išleiskite orą iš siurblio.
	Įsiurbimo slėgis yra per mažas.	Padidinkite įleidimo slėgį.
Pastaba. Gedimų kodai rodomi 3 lentelėje		

10. Techniniai duomenys ir montavimo matmenys

10.1 Techniniai duomenys

7 lentelė. Techniniai duomenys

Maitinimo įtampa	(220~240V) ± 5%	
Dažnis	50Hz ± 1%	
Korpuso klasė	IP42	
Izoliacijos klasė	H	
Santykinis oro drėgnumas	Didžiausias – 95%	
Sistemos slėgis	Didžiausias – 1,0 MPa, 10 barų, 102 m aukštis	
Įsiurbimo slėgis	Skysčio temperatūra	Mažiausias įsiurbimo slėgis
	≤75°C	0.05bar / 0,005Mpa / 0,5 m galvutė
	+90°C	0.28bar / 0,028Mpa / 2,8 m galvutė
	+110°C	1.08bar / 0,108Mpa / 10,8 m galvutė
Skysčio temperatūra	2°C~110°C	
Aplinkos temperatūra	0°C~40°C	
Temperatūros klasė	TF110	
PH	6~9	

Siekiant išvengti kondensato susidarymo valdymo dėžėje ir statoriuje, skysčio temperatūra visada turi būti aukštesnė už aplinkos temperatūrą. Žr. 8 lentelę.

8 lentelė. Aplinkos temperatūros ir skysčio temperatūros santykis

aplinkos temperatūra (°C)	skysčio temperatūra (°C)	
	Min.	Maks.
0	2	110
10	10	110
20	20	110
30	30	110
35	35	90
40	40	70

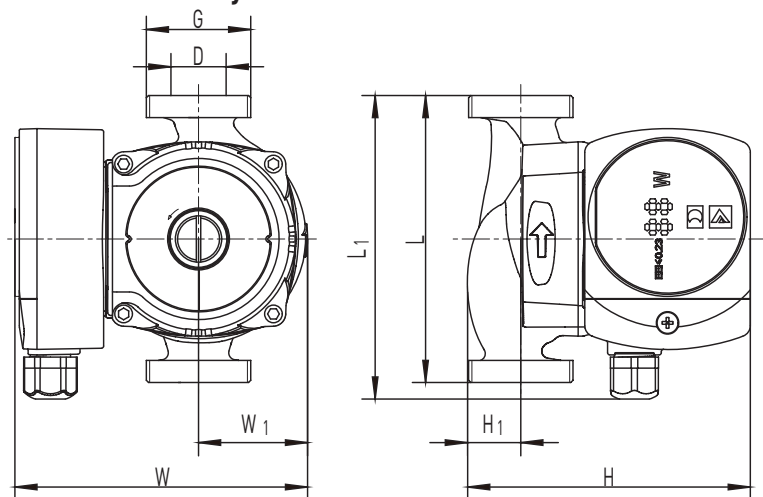
Buitinio karšto vandens sistemose rekomenduojama palaikyti žemesnę nei 65 °C skysčio temperatūrą, kad nekiltų kalkių nuosėdų susidarymo pavojus.

9 lentelė. ARP techniniai duomenys

Siurblio tipas	Maksimalus srautas m ³ /val.	Maksimali galvutė m	Nominalus srautas m ³ /val.	Vardinė galvutė m	Įvesties galia W	kalibras mm	EEl	Vamzdynas
----------------	---	---------------------	--	-------------------	------------------	-------------	-----	-----------

DFM886 (ARP25-60/180)	2.7	6.0	1.4	3.5	45	Φ25	≤0.23	G1×G1
--------------------------	-----	-----	-----	-----	----	-----	-------	-------

10.2 Montavimo matmenys



10 lentelė. ARP montavimo matmenys

Modelis	L(mm)	W(mm)	H(mm)	L1(mm)	W1(mm)	H1(mm)	G	D(mm)
DFM886 (ARP25-60/180)	180	135	130	165	50	25	G1.5	Φ25

11. Našumo kreivės

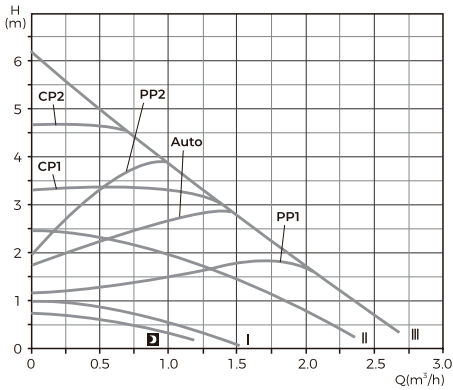
Toliau pateiktos gairės taikomos kituose puslapiuose pateiktoms kreivėms:

Bandomasis skystis: Vanduo, kuriame nėra oro

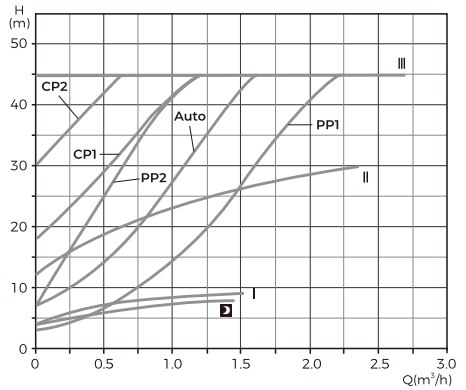
Visos kreivės rodo vidutines vertes ir neturėtų būti laikomos garantinėmis reikšmėmis. Jei reikalaujama konkretaus minimalaus našumo, reikia atlikti individualius matavimus.

Pažymėtos I, II ir III greičių kreivės.

Paaiškinimas: ARPXX-60 kreivės (Q-H, Q-P1) taikomos šiems modeliams:



ARPXX-60 Q-H

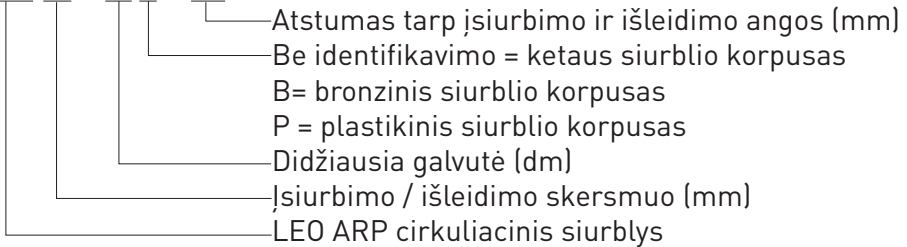


ARPXX-60 Q-P1

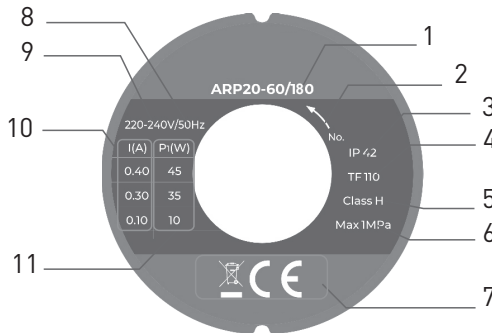
12. Modelis ir vardinė lentelė

12.1 Modelis

ARP 25 – 60 X / 180



12.2 Vardinė lentelė



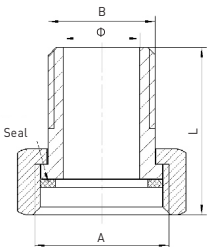

11 lentelė. ARP vardinė lentelė

Vieta	Aprašas	Vieta	Aprašas
1	Siurblio tipas	9	Dažnis (Hz)
2	Darbo rato sukimosi kryptis	10	Greičio III srovė, I(A)
3	Korpuso klasė		Greičio II srovė, I(A)
4	Temperatūros klasė		Greičio I srovė, I(A)

5	Izoliacijos klasė	11	Greitis III, didžiausia įvesties galia, P1(W)
6	Didžiausias sistemos slėgis		Greitis II, didžiausia įvesties galia, P1(W)
7	CE		Greitis I, didžiausia įvesties galia, P1(W)
8	Maitinimo įtampa		

13. Priedai (pasirinktinai)

12 lentelė. vamzdžių jungtis

Siurblio tipas	Pavyzdys	Paveikslėlis	A	B	Φ	L
DFM886 (ARP25-60/180)		 G1" G1½	G11/2	G1	Φ41	36

14. Valymas ir priežiūra

Įprastomis eksploataavimo sąlygomis siurblys nereikalauja techninės priežiūros, rekomenduojama palaikyti švaraus vandens kokybę.

Jei kyla užšalimo pavojus, uždarykite įsiurbimo vožtuvą, atidarykite išleidimo vožtuvą ir išleiskite vandenį.

Vasarą arba esant aukštai aplinkos temperatūrai, atkreipkite dėmesį į siurblio aušinimą.



Perbrauktos šiukšliadėžės su ratukais reikšmė:

elektriniai prietaisai negali būti utilizuojami kaip nerūšiuotos komunalinės atliekos. Juos reikia nugabenti į atskirą surinkimo punktą.

Kreipkitės į vietos valdžios institucijas, kad gautumėte informacijos apie galimus atliekų surinkimo punktus.

Jei elektros prietaisai yra išmetami į sąvartynus ar šiukšlynus, pavojingos medžiagos gali patekti į požeminį vandenį ir pakliūti į maisto grandinę, taip pakenkdamos jūsų sveikatai ir gerovei.

Keičiant senus prietaisus naujais, mažmenininkas yra teisiškai įgaliotas bent jau nemokamai priimti jūsų seną prietaisą utilizavimui.

GARANTIJA

Ypač kruopščiai renkamės aukštos kokybės medžiagas ir naudojame

gamybos būdus, kurie suteikia mums galimybę kurti gaminius, pasižyminčius dizainu ir ilgaamžiškumu. Šiam gaminiui (DFM886) gamintojas suteikia 2 metų garantiją nuo įsigijimo (jei pirktas parduotuvėje) arba pristatymo (jei pirktas internetu) dienos be jokių papildomų išlaidų. Norėdami pareikšti pretenziją pagal šią garantiją, turite pateikti įsigijimo įrodymą (pvz., pirkimo kvitą, pirkimo sąskaitą faktūrą arba kitą pagal galiojančius įstatymus priimtą įrodymą). Kad ši garantija būtų taikoma, įsigytas gaminytis turi būti naujas, ji netaikoma naudotiems ar gaminiams, kurie buvo eksponuojami. Jei galiojančiuose teisės aktuose nenumatyta kitaip, bet kokiam pagal šią garantiją išduotam pakaitiniam gaminiui garantija suteikiama tik iki pirminės garantijos laikotarpio pabaigos. Ši garantija apima gaminio gedimus ir sutrikimus, jei gaminytis buvo naudojamas pagal paskirtį ir buvo montuojamas, valomas, prižiūrimas ir remontuojamas laikantis šiose sąlygose, naudotojo vadove pateiktos informacijos bei taikant standartinę naudojimo praktiką, jei standartinė praktika neprieštarauja naudotojo vadovui.

Ši garantija neapima defektų ir pažeidimų, atsiradusių dėl įprasto nusidėvėjimo ar pažeidimų, kurie gali atsirasti dėl netinkamo naudojimo, netinkamo montavimo ar surinkimo, aplaidumo, nelaimingo atsitikimo, neteisingo naudojimo ar gaminio modifikavimo. Jei galiojančiuose teisės aktuose nenumatyta kitaip, ši garantija jokia būdu neapima papildomų išlaidų (siuntimo, pervežimo, išmontavimo ir pakartotinio sumontavimo, darbo ir kt.), taip pat tiesioginės ir netiesioginės žalos.

Ši garantija netaikoma defektams ir žalai, atsiradusiems dėl:

- Įprasto nusidėvėjimo;
- Perkrovos, netinkamo naudojimo arba aplaidumo;
- Remonto, kurį atliko ne įgaliojasis atstovas;
- Kosmetinė žalos;
- Žalos sukeltos pašalinių objektų, medžiagų arba nelaimingų atsitikimų;
- Atsitiktinio sugadinimo arba modifikavimo;
- Gamintojo nurodymų nesilaikymo;
- Nebegalėjimo naudotis prekėmis.

Jei gaminytis yra sugedęs, per pagrįstą laiką jį pataisysime arba pakeisime. Teisės pagal šią garantiją įgyvendinamos toje šalyje, kurioje įsigijote šį gaminį. Su garantija susijusias užklaudas reikėtų adresuoti parduotuvei, kurioje įsigijote šį gaminį.

Garantija papildo jūsų įstatymuose numatytas teises ir jų nepažeidžia.

LT

ES atitikties deklaracija

Mes,

Onninen Oy

Adresas: Satamakatu 3, FI-00160, Helsinki, Finland

Telefonas: +358-10 53032

atsakingai pareiškiame, kad toliau nurodytas gaminys

Įranga: Cirkuliacinis siurblys

Markės pavadinimas OPAL

Modelis / tipas: DFM886/ARP25-60/180

Atitinka

Low Voltage Directive (LVD) 2014/35/EU,

Elektromagnetinio suderinamumo direktyvą (EMC) 2014/30/EB

RoHS 2011/65/EU Annex II&(EU) 2015/863

bei toliau nurodytus darniuosius standartus ir technines specifikacijas:

LVD:

EN 60335-1:2012+A11+A13+A1+A14+A2+A15

EN 60335-2-51:2003+A1+A2

EN 62233:2008

EMC:

EN IEC 55014-1:2021

EN IEC 55014-2:2021

EN IEC 61000-3-2:2019+A1

EN 61000-3-3:2013+A1+A2

Helsinki, Finland, October 30th, 2024

Kesko Corporation Group Companies



Ville Särkilähti - General Manager

Manual instructions material /
Ohjekirjan materiaali /
Instruktionsmaterial /
Håndbok instruksjonsmateriale /
Juhendmaterjal /
Lietošanas norādījumi /
Naudojimo vadovo medžiaga



Manufactured for • Valmistuttaja • Tillverkad för • Produsert for • Toodetud
• Ražošanas pasūtītājs • Kieno užsakymu pagaminta • Wyprodukowano dla
• Onninen Oy, Työpajankatu 12, FI- 00580 Helsinki. Made in China.