

# OPAL

## User Manual

### Submersible Pressure Pump

#### DFM884



English	2 - 15
Finnish	16 - 28
Swedish	29 - 42
Norwegian	43 - 56
Estonian	57 - 69
Latvian	70 - 83
Lithuanian	84 - 97

## **GB**

Instruction Manual

Dear customer,

Thank you for placing your trust in our product!

Before using the product for the first time, please make sure you read these operating instructions! Here you will find information about how to use the product safely and ensure its long service life. You should pay attention to all of the safety instructions in this document!

### **General safety warnings**

- This appliance shall not be used by children. Cleaning and user maintenance shall not be carried out by children.
- Always disconnect the appliance from the supply before assembling, disassembling or cleaning.
- Appliances can be used by persons with reduced physical, sensory or mental capabilities or lack of experience and knowledge if they have been given supervision or instruction concerning use of the appliance in a safe way and if they understand the hazards involved.
- Children shall not play with the appliance.
- Pumps without indication that they are protected against the effect of freezing shall not be left outside during freezing weather conditions.
- Attention! If the power cord is damaged, it must be replaced by the manufacturer, its service agent or similarly qualified persons in order to avoid a safety hazard.
- Familiarise yourself with the operation, adjustments and functions. Follow the safety and

operation instructions in order to avoid possible risks and hazards.

- Contact a qualified person or your dealer if you have questions after reading the instruction manual.
- Store the instruction manual so that it is accessible for all users. Also relay it when giving the product to others.
- Do not attempt to modify the product in any way. Only use attachments and accessories recommended by the manufacturer.
- Use the product only in accordance with this instruction manual. Misuse and incorrect handling will lead to hazards for people and property.
- Do not use the product if damage is visible. Check the power cord, plug, attached hoses and casing before each use. Faulty products must be repaired or properly disposed of.
- Disconnect the product from the power supply immediately if the cord or the product is damaged or if a breakdown occurs.
- Have the product repaired only by a qualified specialist. Improper repairs can lead to electric shocks or other accidents.
- Pull the plug rather than the power cord to disconnect the product from the power supply.
- Do not let the power cord hang over edges, do

not squeeze or bend it.

- Use extensions cords that correspond with the technical requirements of this product if using an extension cord is unavoidable. When operating products outdoors, use an extension cord suitable for outdoor use.

## **Pump safety warnings**

- The appliance shall be installed in accordance with national wiring regulations.
- The pump is to be supplied through a residual current device (RCD) having a rated residual operating current not exceeding 30 mA.
- Prevent access of children with appropriate measures.
- Do not use the pump when people are in the water.
- Do not operate the pump without water.
- Make sure that no marine animals (e.g. fish) are extracted by the pump.
- Have in mind that pollution of the liquid could occur due to leakage of lubricants.
- Protect the electrical connections and cords from heat, oil, sharp edges and moisture.
- Protect the pump from frost and running dry.
- Avoid circulation of aggressive fluids of abrasive materials.
- Do not use the power cord or the float switch

cable to transport or secure the produce. Fix a rope to the handle for submerging, lifting or securing.

- Check and clean the outlet and the inlet of the pump when needed.
- Do not pump liquids with sand or other abrasive substances. It causes increased wear and reduces the pumps output.
- The pump is designed for dirty water with a diameter of suspended impurities not exceeding 25 mm.
- The pump should be used for pumping water temperature below 35°C, do not use the product for other liquids (hydrocarbons, oils, corrosive liquids, flammable liquids...).
- Never use the pump when there is the danger of frost occurring.
- The product is not designed for continuous use. Please rest it for 10 minutes after each 1 hour of running.

### **Emergency**

Familiarise yourself with the use of this product by means of this instruction manual. Memorise the safety directions and follow them to the letter. This will help to prevent risks and hazards.

1. Always be alert when using this product, so that you can recognise and handle risks early. Fast intervention can prevent serious injury and damage to property.
2. Disconnect from the power supply if there are malfunctions. Have the product checked by a qualified professional and repaired, if necessary, before you operate it again.

## Residual risks

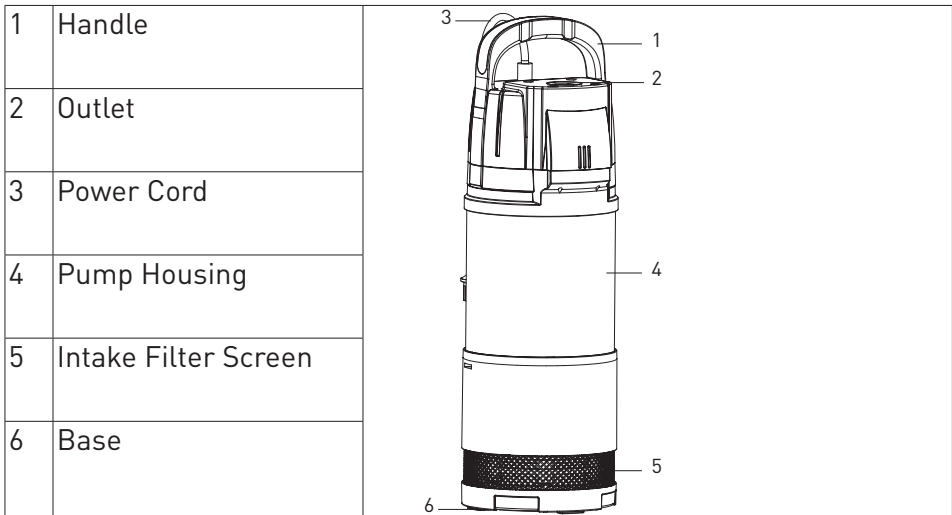
Even if you are operating this product in accordance with all the safety requirements, potential risks of injury and damage remain. The following dangers can arise in connection with the structure and design of this product:

1. Health defects resulting from vibration emission if the product is being used over long periods of time or not adequately managed and properly maintained.
2. Injuries and damage to property due to broken attachments or the sudden impact of hidden objects during use.
3. Danger of injury and property damage caused by flying objects.
4. Risk of bursting.



**WARNING!** This product produces an electromagnetic field during operation! This field may under some circumstances interfere with active or passive medical implants! To reduce the risk of serious or fatal injury, we recommend persons with medical implants to consult their doctor and the medical implant manufacturer before operating this product!

## 1. Features / details



## 2. Technical data

Model	DFM884 (LKS-1102SE)
Mains voltage / frequency	220-240 V, 50 Hz
Power consumption	1100 W
Max. flow rate	6000 l/h
Total pressure head Max.	45 m
Depth of immersion Max.	12 m
Max Delivery Pressure	4,5 bars
Water temperature Max.	35 °C
Water temperature Min.	5 °C
Power cable	H07RN-F 15 m
Protection Class	IPX8
Weight	10,6 kg
Dimensions	500 x 150 x 150 mm
Outlet connection	F40/49 (1"1/2)
Size of solid particles pumpedMax.	1 mm Clean Water

## 3. Assembly

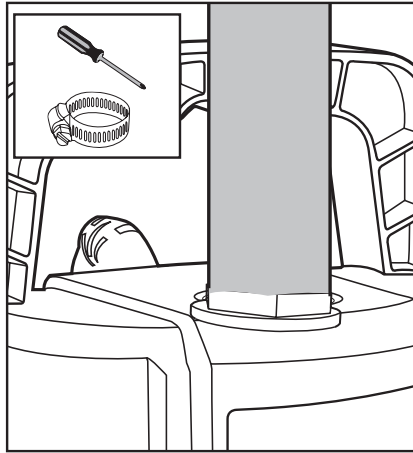


**WARNING!**

Ensure the pump is disconnected from the power supply before performing any of the following

## assembly.

1. Screw the suitable connector ( not included) into the pump housing outlet by rotating in a clockwise direction.
2. Securely attach the hose/tube/pipe to the hose adaptor, fit hose clamps (not included) If you are using flexible hose or tube, and tighten well.



NOTE: The maximum pumping rate is possible only with the argest possible line diameter; if smaller hoses or pipes are connected, the pumping rate will be reduced.

### 4. Preparation

Before starting, perform a few simple checks:

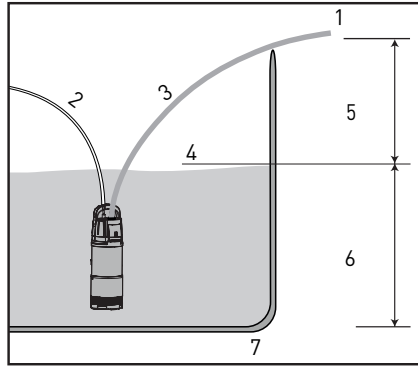


**WARNING!**

Never carry, lift or pull up the pump by the power cord. damage the unit.

1. Ensure the outlet hose is connected correctly.
2. Make sure that the height between the water surface and the highest point to which you wish to deliver the water does not exceed 15m.

- 1 DISCHARGING POINT
- 2 POWER CABLE: 15M
- 3 OUTLET HOSE
- 4 WATER LEVEL
- 5 MAX. HEAD 45M
- 6 MAX. IMMERSION DEPTH 12M
- 7 WATER CONTAINER

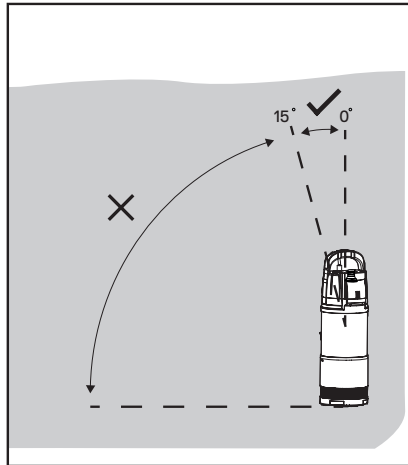


3. Ensure there are no obstructions to the suction base and it is clear of mud or sediment.



**WARNING!**

This product is intended for pumping water in a home domestic application. do not use it for corrosive, abrasive, explosive or dangerous liquids. Ensure the pump is vertical.



**Operate:**



**WARNING!**

This pump must be used with residual current device rated 30mA or less.

## WARNING!

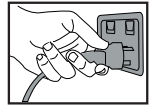
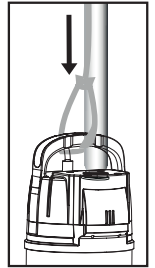
Before submerging the pump water, unwrap the power cord and ensure the plug is clear of any damp locations.

1. Attach the rope to the pump handle and lower it into the water in the well or cistern

Make sure that it is submerged by at least 50 cm and that its base is at least 1m from the bottom of the work to ensure that no particles will be sucked in or damage the pump.

2. Insert the plug into the mains power socket. The pump will start 3 seconds after the power is switched on.

3. To stop operation, turn off the mains power.



## WARNING!

Your pump has the capacity to pump clean water with a non solid particle size of up to 1mm in diameter.

## WARNING!

The pump must not be used when people are in the water.

### **Automatic mode**

The pump runs until the discharge is completely closed (closing all taps); it then increases in pressure until it automatically shuts off in the absence of a leak or water consumption.

The pressure in the pipes will be maintained until the taps reopen or the slightest drop of water is consumed, then it will restart.

Please note, the pump restarts only when the pressure drops below 2.5 bars: it is therefore imperative that no discharge point is located more than 25m above the pump because otherwise the pressure exerted by the weight of the water column will prevent any restart.

### Dry-running protection

The pump will be switched off automatically when there is no longer any water for pumping.

The pump will perform a restart test for water in cycles of 30 seconds ON / 5 seconds OFF (4x) in a 24 hour period.

As soon as the pump is immersed again in water to a depth of at least 120mm, it will be ready for operation again.



### WARNING!

Ensure the pump outlet is closed completely when not in use, partially opened outlet may damage the pump.

### 5. Maintenance

This pump does not require any particular maintenance - it is nevertheless advisable to regularly check the cleanliness of the mechanisms, the absence of deposits or encrustations, correct immersion and a distance of at least 1m from the bottom of the well or tank.

The cable must never be shortened, cut, or the plug removed, even when passing through a wall.

The warranty will no longer apply in the event of an electrical fault and modification of the original electrical equipment.

### 6. Troubleshooting

Problem	Possible cause	Solution
The pump does not start, or pump water	Pump is not connected to the power supply. The impeller is stuck. The thermal overload protection is activated. The motor is damaged. The height to be raised is too great for the adjustment of the pump automation (more than 25m).	Check that the pump is connected to the mains power supply. Turn pump off and inspect and clean obstruction. Wait for the motor to cool and it will automatically start operation. Please contact the customer service department. Reassemble the pump in the well so that it is less than 25m high.

<p>The pump does not supply water when the motor is running</p>	<p>The suction base is obstructed/ blocked.  Air lock in the hose/tube and/or pump (air bubbles).  Discharge hose/tube (not included) is kinked or damaged.  The height to be fought is too great for the capacity of the pump.  The discharge pipe or fittings are too small in diameter for the pump outlet.</p>	<p>Clean the suction base of any foreign matter and debris.  Perform several start-ups in order to remove all the air or lift and tilt the pump slightly while the pump is running.  Un-kink the discharge hose/tube. Or replace hose/tube. Disconnect the mains power and check the discharge outlet and filter for any foreign matter.  Raise the pump in the well if the water level allows it.  Increase the diameter of fittings and outlet pipes.</p>
<p>The pump flow rate is reduced</p>	<p>The suction base is partially obstructed/blocked.  The hose/tube is obstructed.  Air leak in the suction line or joints.  Incorrect assembly leads to air and water leakage in the discharge lines.  The discharge pipe or fittings are too small in diameter for the pump outlet.</p>	<p>Clean the suction base of any foreign matter and debris.  Remove the obstructions.  Check the suction line connections for air leaks and tighten or fix where found.  Ensure the discharge lines are the correct length and all assembly instructions are adhered to.  increase the diameter of fittings and outlet pipes.</p>
<p>Hose does not stay on the connector when water is travelling through</p>	<p>The hose/tube is slightly wider than the dimension of the connector/adaptor.</p>	<p>An adhesive can be used inside the hose/tube to prevent this or Teflon tape can be fixed around the connector/adaptor or a hose clamp can be used.</p>
<p>The pump operates intermittently</p>	<p>The suction base is obstructed/ blocked. Incorrect voltage is being used.  The fluid contains particles thicker than 1mm. The motor is faulty or damaged.</p>	<p>Clean the suction base of any foreign matter and debris.  Ensure the pump is connected into 220-240V power supply Ensure.  the pump is not being used with particles thicker than 1mm.  Please contact the customer service department.</p>



Meaning of crossed –out wheeled dustbin:

Do not dispose of electrical appliances as unsorted municipal waste, use separate collection facilities.

Contact you local government for information regarding the collection systems available.

If electrical appliances are disposed of in landfills or dumps, hazardous

substances can leak into the groundwater and get into the food chain, damaging your health and well-being.

When replacing old appliances with new ones, the retailer is legally obligated to take back your old appliance for disposals at least free of charge.

## **Guarantee**

We take special care to select high quality materials and use manufacturing

techniques that allow us to create products incorporating design and durability. This product (DFM884) has a manufacturer's guarantee of 2 years against manufacturing defects, from the date of purchase (if bought in store) or date of delivery (if bought online), at no additional cost.

To make a claim under this guarantee, you must present your proof of purchase (such as a sales receipt, purchase invoice or other evidence admissible under applicable law), please keep your proof of purchase in a safe place. For this guarantee to apply, the product you purchased must be new, it will not apply to second hand or display products. Unless stated otherwise by applicable law, any replacement product issued under this guarantee will only be guaranteed until expiry of the original guarantee period.

This guarantee covers product failures and malfunctions provided the product was used for the purpose for which it is intended and subject to installation, cleaning, care and maintenance in accordance with the information contained in these terms and conditions, in the user manual and standard practice, provided that standard practice does not conflict with the user manual.

This guarantee does not cover defects and damage caused by normal wear and tear or damage that could be the result of improper use, faulty installation or assembly, neglect, accident, misuse, or modification of the product. Unless stated otherwise by applicable law, this guarantee will not cover, in any case, ancillary costs (shipping, movement, costs of uninstalling and reinstalling, labour etc), or direct and indirect damage. This guarantee does not cover defects and damage caused by or resulting from:

- Normal wear and tear
- Overload, misuse or neglect
- Repairs attempted by anyone other than an authorised agent
- Cosmetic damage
- Damage caused by foreign objects, substances or accidents

- Accidental damage or modification
- Failure to follow manufacturer's guidelines
- Loss of use of the goods

If the product is defective, we will, within a reasonable time, repair or replace it. Rights under this guarantee are enforceable in the country in which you purchased this product. Guarantee related queries should be addressed to the store you purchased this product from.

The guarantee is in addition to and does not affect your statutory rights.

GB

# EU Declaration of Conformity

We,

**Onninen Oy**

**Address:** Satamakatu 3, FI-00160, Helsinki, Finland

**Telephone:** +358-10 53032

**declare under our sole responsibility that the following product**

Equipment: Submersible Pressure Pump

Brand name: OPAL

Model/type: DFM884/LKS-1102SE

**is in conformity with the**

Machinery Directive (MD) 2006/42/EC

Electromagnetic Compatibility Directive (EMC) 2014/30/EU

RoHS 2011/65/EU Annex II & (EU) 2015/863

**and the following harmonized standards and technical specifications have been applied:**

MD:

EN 60335-1:2012+A11+A13+A1+A14+A2+A15

EN IEC 60335-2-41:2021+A11

EN 62233:2008

EMC:

EN IEC 55014-1:2021

EN IEC 55014-2:2021

EN IEC 61000-3-2:2019+A1

EN 61000-3-3:2013+A1+A2

Helsinki, Finland, October 30<sup>th</sup>, 2024

Kesko Corporation Group Companies



---

Ville Särkilahti - General Manager

## FI

Käyttöohje

Hyvä asiakas

Kiitos, että valitsit tuotteemme!

Varmista, että olet lukenut nämä käyttöohjeet ennen laitteen käyttöönottoa. Ohjeista löytyy tietoa laitteen turvallisesta käytöstä sekä siitä, kuinka laitteen pitkä käyttöikä voidaan varmistaa. Erityistä huomiota on kiinnitettävä annettuihin turvallisuusohjeisiin.

## Turvallisuustietoja

### Yleiset turvavaroitukset

- Lapset eivät saa käyttää tätä laitetta. Lapset eivät saa tehdä puhdistusta ja käyttäjähuoltoa.
- Irrota laite aina sähköverkosta ennen laitteen kokoamista, purkamista tai puhdistamista.
- Laitteita voivat käyttää henkilöt, joiden fyysiset, sensoriset tai henkiset kyvyt ovat heikentyneet tai joilla ei ole riittävästi kokemusta tai tietoa, jos heitä valvotaan tai heitä on opastettu laitteen turvallisessa käytössä, ja jos he ymmärtävät siihen liittyvät vaarat.
- Älä anna lasten leikkiä laitteella.
- Pumppuja, joissa ei ole merkintää suojauksesta jäätymisen vaikutuksilta, ei saa jättää ulos pakkasella.
- Huomio! Valmistajan, valtuutetun huoltoedustajan tai muun pätevän henkilön on vaihdettava vaurioitunut virtajohto, jotta turvallisuusriski voidaan välttää.
- Tutustu laitteen toimintaan, säätöihin ja

toimintoihin. Noudata turvallisuus- ja käyttöohjeita mahdollisten riskien ja vaarojen välttämiseksi.

- Ota yhteyttä pätevään henkilöön tai jälleenmyyjään, jos sinulla on kysyttävää vielä käyttöohjeen lukemisen jälkeen.
- Säilytä käyttöopasta kaikkien käyttäjien saatavilla. Anna se mukaan myös silloin, kun annat tuotteen muiden käyttöön.
- Älä yritä muuttaa tuotetta millään tavalla. Käytä vain valmistajan suosittelemia lisälaitteita ja lisävarusteita.
- Käytä tuotetta vain tämän käyttöohjeen mukaisesti. Väärinkäyttö ja virheellinen käsittely aiheuttavat vaaraa ihmisille ja omaisuudelle.
- Älä käytä tuotetta, jos siinä on näkyviä vaurioita. Tarkista virtajohto, pistoke, kiinnitetyt letkut ja kotelo ennen jokaista käyttökertaa. Vialliset tuotteet on korjattava tai hävitettävä asianmukaisesti.
- Irrota tuote virtalähteestä välittömästi, jos johto tai tuote on vaurioitunut tai jos se vikaantuu.
- Jätä tuotteen korjaus vain pätevän asiantuntijan tehtäväksi. Virheelliset korjaukset voivat aiheuttaa sähköiskuja tai muita onnettomuuksia.
- Irrota tuote virtalähteestä vetämällä pistokkeesta, ei virtajohdosta.
- Älä anna virtajohdon roikkua reunojen yli, äläkä

purista tai taivuta sitä.

- Käytä jatkojohtoja, jotka vastaavat tämän tuotteen teknisiä vaatimuksia, jos jatkojohdon käyttö on välttämätöntä. Kun käytät tuotteita ulkona, käytä ulkokäyttöön soveltuvaa jatkojohtoa.

## **Pumpun turvallisuusvaroitukset**

- Laite on asennettava kansallisten johdotusmääräysten mukaisesti.
- Virta pumppuun on syötettävä vikavirtasuojakytkimen kautta, jonka nimellinen laukaisuvirta on enintään 30 mA.
- Estä käyttö lapsilta asianmukaisin toimenpitein.
- Älä käytä pumppua, kun vedessä on ihmisiä.
- Älä käytä pumppua ilman vettä.
- Varmista, että pumppu ei ime merieläimiä (esim. kaloja).
- Muista, että nesteen pilaantuminen voi johtua voiteluaineiden vuotamisesta.
- Suojaa sähköliitännöitä ja johtoja kuumuudelta, öljyltä, teräviltä reunoilta ja kosteudelta.
- Suojaa pumppua pakkaselta ja kuivumiselta.
- Vältä aggressiivisten nesteiden tai hankaavien materiaalien pumppaamista.
- Älä käytä virtajohtoa tai uimurikytkimen kaapelia tuotteiden kuljettamiseen tai kiinnittämiseen. Kiinnitä köysi kahvaan upottamista, nostamista

tai kiinnittämistä varten.

- Tarkista ja puhdista pumpun ulostulo- ja sisääntuloaukko tarvittaessa.
- Älä pumpppaa nesteitä, joissa on hiekkaa tai muita hankaavia aineita. Se lisää kulumista ja vähentää pumpun tehoa.
- Pumppu on tarkoitettu likaiselle vedelle johon sitoutuneiden epäpuhtauksien läpimitta on enintään 25 mm.
- Pumppua käytetään veden pumppaamiseen alle 35 °C:n lämpötilassa. Älä käytä tuotetta muiden nesteiden pumppaamiseen (hiilivedyt, öljyt, syövyttävät nesteet, palavat nesteet...).
- Älä koskaan käytä pumppua, kun on olemassa pakkasvaara.
- Tuotetta ei ole suunniteltu jatkuvaan käyttöön. Lepää sitä 10 minuuttia jokaisen 1 tunnin juoksun jälkeen.

### **Hätäpalvelu**

Tutustu tuotteen käyttöön tämän käyttöohjeen avulla. Opettele turvallisuusohjeet ulkoa ja noudata niitä kirjaimellisesti. Tämä auttaa ehkäisemään riskejä ja vaaroja.

1. Ole aina valppaana, kun käytät tätä tuotetta, jotta voit tunnistaa riskit ja käsitellä niitä ajoissa. Nopea toiminta voi estää vakavia loukkaantumisia ja omaisuusvahinkoja.

2. Irrota laite virtalähteestä, jos laitteessa ilmenee toimintahäiriöitä.

Tarkastuta tuote pätevällä ammattilaisella ja korjaa tarvittaessa, ennen kuin käytät laitetta uudelleen.

### **Jäännösriskit**

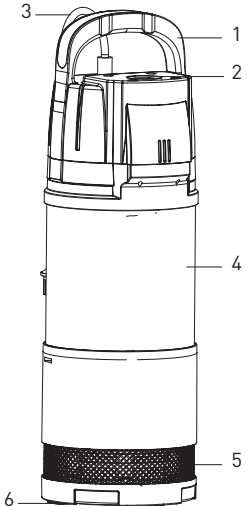
Vaikka käyttäisit tätä tuotetta kaikkien turvallisuusvaatimusten mukaisesti, loukkaantumis- ja vahingoittumisvaara on edelleen olemassa. Seuraavat

vaarat voivat liittyä tämän tuotteen rakenteeseen ja malliin:

1. Tärinäpäästöistä johtuvat terveyshaitat, jos tuotetta käytetään pitkään tai jos sitä ei hoideta ja huolleta asianmukaisesti.
2. Loukkaantumiset ja omaisuusvahingot, jotka johtuvat kiinnikkeiden rikkoutumisesta tai piilossa olevien esineiden äkillisestä osumasta käytön aikana.
3. Lentävien esineiden aiheuttama loukkaantumis- ja omaisuusvahinkovaara.
4. Murtumisvaara.

**!** **VAROITUS!** Tämä tuote tuottaa käytön aikana sähkömagneettisen kentän! Tämä kenttä voi joissakin olosuhteissa häiritä aktiivisia tai passiivisia lääketieteellisiä implantteja! Vähentääksesi vakavan tai kuolemaan johtavan loukkaantumisen riskiä, suosittelemme, että henkilöt, joilla on lääketieteellisiä implantteja, keskustelevat lääkärinsä ja implanttivalmistajan kanssa ennen tämän tuotteen käyttöä.

### 1. Ominaisuudet / yksityiskohdat

1	Kahva	
2	Lähtö	
3	Virtajohto	
4	Pumpun kotelo	
5	Imusuodattimen seula	
6	Alusta	

## 2. Tekniset tiedot

Malli	DFM884 (LKS-1102SE)
Verkkojännite/taajuus	220–240 V, 50 Hz
Tehonkulutus	1 100 W
Suurin virtausnopeus	6 000 l/h
Kokonaispainekorkeus maks.	45 m
Uputussyvyys maks.	12 m
Maksimi nostopaine:	4,5 baaria
Veden lämpötila maks.	35 °C
Veden lämpötila väh.	5 °C
Virtajohto	H07RN-F 15 m
Suojausluokka	IPX8
Paino	10,6 kg
Mitat	500 x 150 x 150 mm
Lähtöliitäntä	F40/49 (1"1/2)
Pumpattavien kiinteiden hiukkasten koko maks.	1 mm Puhdas vesi

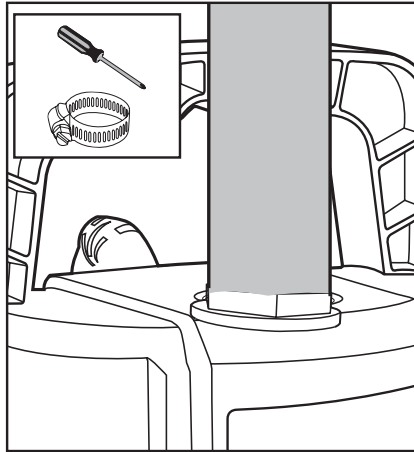
## 3. Kokoaminen



### VAROITUS!

Varmista, että pumppu on irrotettu virtalähteestä ennen kuin suoritat mitään seuraavista kokoamistoimista.

1. Kierrä sopiva liitin (ei sisälly toimitukseen) pumppukotelon ulostuloon kiertämällä sitä myötäpäivään.
2. Kiinnitä letku/putki/putki tukevasti letkusovittimeen, asenna letkunkiristimet (eivät sisälly toimitukseen), jos käytät taipuisaa letkua tai putkea, ja kiristä hyvin.



**HUOMAA:** Suurin mahdollinen pumppausnopeus on mahdollinen vain suurimman mahdollisen putken halkaisijan kanssa; jos pienempiä letkuja tai putkia liitetään, pumppausnopeus pienenee.

#### 4. Valmistelut

Tee muutama helppo tarkastus ennen käynnistämistä:

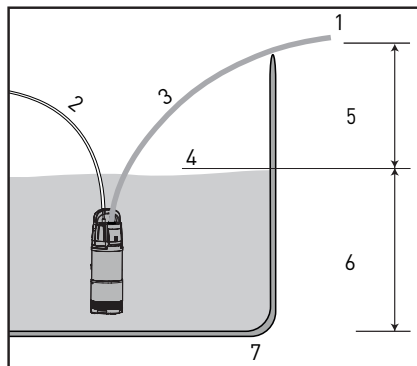


**VAROITUS!**

Älä koskaan kannaa, nosta tai vedä pumppua ylös virtajohdosta. Tämä vahingoittaa laitetta.

1. Varmista, että poistoletku on liitetty oikein.
2. Varmista, että vedenpinnan ja korkeimman pisteen, johon vesi halutaan johtaa, välinen korkeus ei ylitä 15 metriä.

- 1 PURKUPAIKKA
- 2 VIRTAJOHTO: 15M
- 3 ULOSTULOLETKU
- 4 VEDEN TASO
- 5 MAKS. PÄÄ 45 M
- 6 MAKS. UPOTUSSYVYYS 12 M
- 7 VESISÄILIÖ

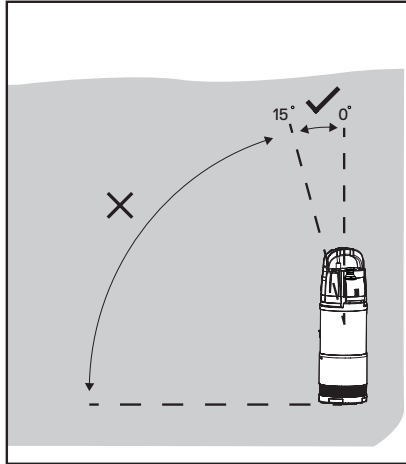


3. Varmista, että imupohjassa ei ole esteitä ja ettei siellä ole mutaa tai sedimenttejä.

 **VAROITUS!**

Tämä tuote on tarkoitettu veden pumppaamiseen kotitalouksissa. Älä käytä sitä syövyttävälle, hankaaville, räjähtäville tai vaarallisille nesteille.

Varmista, että pumppu on pystysuorassa.



**Toimi:**

 **VAROITUS!**

Pumppua on käytettävä vikavirtakatkaisimen kanssa, jonka luokitus on enintään 30 mA.

 **VAROITUS!**

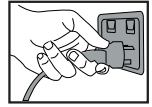
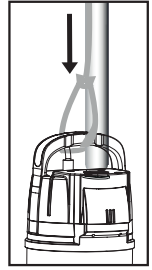
Ennen pumpun upottamista veteen, avaa virtajohto ja varmista, että ettei pistoke ole minkäänlaisessa kosteassa paikassa

1. Kiinnitä köysi pumpun kahvaan ja laske se kaivon tai säiliön veteen

Varmista, että se on vähintään 50 cm:n syvyydessä ja että sen pohja on vähintään 1 m:n päässä pumpattavan veden pohjasta. Näin varmistetaan, että hiukkaset eivät imeydy sisään eivätkä vahingoita pumppua.

2. Työnnä pistoke pistorasiaan. Pumppu käynnistyy 3 sekuntia virran kytkemisen jälkeen.

3. Lopeta käyttö katkaisemalla verkkovirta.



## VAROITUS!

Pumppusi voi pumpata puhdasta vettä, jossa halkaisijaltaan enintään 1 mm:n kokoiset hiukkaset eivät ole kiinteitä.



## VAROITUS!

Pumppua ei saa käyttää, kun vedessä on ihmisiä.

### **Automaattinen tila**

Pumppu käy, kunnes tyhjennys on täysin suljettu (kaikki hanat suljetaan); sen jälkeen paine kasvaa, kunnes pumppu sulkeutuu automaattisesti, jos vuotoa tai vedenkulutusta ei ole.

Paine putkissa säilyy, kunnes hanat avataan uudelleen tai pienikin pisara vettä kuluu, minkä jälkeen se käynnistyy uudelleen.

Huomaa, että pumppu käynnistyy uudelleen vasta kun paine laskee alle 2,5 baarin: siksi on ehdottoman tärkeää, ettei mikään poistopiste sijaitse yli 25 metriä pumpun yläpuolella, koska muutoin vesipatsaan painon aiheuttama paine estää uudelleenkäynnistymisen.

### **Kuiva-ajosuojaus**

Pumppu sammuu automaattisesti, kun vettä ei enää ole pumpattavaksi.

Pumppu suorittaa veden uudelleenkäynnistystestin 30 sekunnin jaksoissa ON / 5 sekunnin jaksoissa OFF (4x) 24 tunnin aikana.

Kun pumppu on upotettu uudelleen vähintään 120 mm:n syvyiseen veteen, se on jälleen käyttövalmis.



## VAROITUS!

Varmista, että pumpun ulostuloaukko on kokonaan suljettu, kun sitä ei käytetä. Osittain avattu ulostuloaukko voi vahingoittaa pumppua.

### 5. Huolto ja ylläpito

Tämä pumppu ei vaadi erityistä huoltoa. On kuitenkin suositeltavaa tarkistaa säännöllisesti, että mekanismit ovat puhtaat, että niissä ei ole saostumia tai kertymiä, että ne on upotettu oikein ja että ne ovat vähintään 1 metrin etäisyydellä kaivon tai säiliön pohjasta.

Kaapelia ei saa koskaan lyhentää, katkaista tai irrottaa pistoketta, ei edes seinän läpi kuljettaessa.

Takuu ei ole enää voimassa, jos kyseessä on sähkövika ja jos alkuperäisiä sähkölaitteita on muutettu.

### 6. Ongelmanratkaisu

Ongelma	Mahdollinen syy	Ratkaisu
Pumppu ei käynnisty tai pumppaa vettä	Pumppua ei ole kytketty virtalähteeseen. Juoksupyörä on jumissa. Lämpötilan ylikuormitusuoja aktivoituu. Moottori on vaurioitunut. Nostettava korkeus on liian suuri pumpun automaation säätämiseksi (yli 25 m).	Tarkista, että pumppu on kytketty verkkovirtaan. Kytke pumppu pois päältä. Tarkasta ja puhdista tukos. Odota, että moottori jäähtyy, niin se käynnistyy automaattisesti. Ota yhteyttä asiakaspalveluun. Asenna pumppu uudelleen kaivoon niin, että se on alle 25 metrin korkeudella.
Pumppu ei nosta vettä, kun moottori on käynnissä	Imupohja on tukkeutunut/tukossa. Ilmalukko letkussa/putkessa ja/ tai pumpussa (ilmakuplia). Poistoletku/-putki (ei sisälly toimitukseen) on mutkalla tai vaurioitunut. Nostokorkeus on liian suuri pumpun kapasiteetille. Poistoputken tai liitososien halkaisija on liian pieni pumpun ulostuloaukkoon verrattuna.	Puhdista imupohja kaikista vieraista aineista ja roskista. Suorita useita käynnistyksiä, jotta kaikki ilma poistuu tai nosta ja kallista pumppua hieman pumpun ollessa käynnissä. Irrota poistoletkun/-putken mutka. Tai vaihda letku/putki. Katkaise verkkovirta ja tarkista poistoaukko ja suodatin mahdollisten vieraiden aineiden varalta. Nosta kaivon pumppua, jos vedenpinta sallii sen. Suurena liitos- ja poistoputkien halkaisijaa.

Pumpun virtausnopeus pienenee	Imupohja on osittain tukkeutunut/tukkeutunut. Letku/putki on tukossa. Ilmavuoto imulinjassa tai liitoksissa. Virheellinen kokoonpano aiheuttaa ilma- ja vesivuotoja poistolinjoissa. Poistoputken tai liitososien halkaisija on liian pieni pumpun ulostuloaukkoon verrattuna.	Puhdista imupohja kaikista vieraista aineista ja roskista. Poista esteet. Tarkista imulinjan liitännät ilmavuotojen varalta ja kiristä tai korjaa ne, jos havaitset vuotoja. Varmista, että tyhjennysjohdot ovat oikean pituisia ja että kaikkia asennusohjeita noudatetaan. Suurena liitos- ja poistoputkien halkaisijaa.
Letku ei pysy liittimessä, kun vesi kulkee sen läpi	Letku/putki on hieman leveämpi kuin liittimen/adapterin mitta.	Tämän estämiseksi letkun/putken sisällä voidaan käyttää liimaa tai liittimen/adapterin ympärille voidaan kiinnittää teflon-teippiä tai käyttää letkunkiristintä.
Pumppu toimii ajoittain	Imupohja on tukkeutunut/tukossa. Käytössä on väärä jännite. Neste sisältää yli 1 mm:n paksuisia hiukkasia. Moottori on viallinen tai vaurioitunut.	Puhdista imupohja kaikista vieraista aineista ja roskista. Varmista, että pumppu on kytketty 220-240 V:n virtalähteeseen. Varmista, ettei pumppua ei käytetä yli 1 mm:n paksuisten hiukkasten kanssa. Ota yhteyttä asiakaspalveluun.



Yliviivatun roska-astiasymbolin merkitys:

Älä hävitä sähkölaitteita sekajätteenä, vaan käytä erillisiä keräyspisteitä. Ota yhteyttä paikallishallintoon saadaksesi tietoa käytettävissä olevista keräysjärjestelmistä.

Jos sähkölaitteita hävitetään kaatopaikoille, vaarallisia aineita voi vuotaa pohjaveteen ja joutua sieltä ravintoketjuun vahingoittaen terveyttäsi ja hyvinvointiasi.

Kun vaihdat vanhat laitteet uusiin, jälleenmyyjällä on lakisääteinen velvollisuus ottaa vanha laitteesi takaisin hävitettäväksi maksutta.

## Takuu

Pidämme erityistä huolta korkealaatuisten materiaalien valinnasta ja käytämme valmistustekniikoita, joiden avulla voimme luoda tuotteita, joissa yhdistyvät muotoilu ja kestävyys. Tällä tuotteella (DFM884) on valmistajan 2 vuoden takuu valmistusvirheitä vastaan ostopäivästä (jos ostettu myymälästä) tai toimituspäivästä (jos ostettu verkosta) ilman lisäkustannuksia.

Tämän takuun mukaisen korvausvaatimuksen esittämiseksi sinun on

esitettävä ostotodistus (kuten myyntikuitti, ostolasku tai muu sovellettavan lain mukaan hyväksyttävä todiste), ja sinun on säilytettävä ostotodistusta turvallisessa paikassa. Jotta tämä takuu olisi voimassa, ostamasi tuotteen on oltava uusi. Takuu ei koske käytettyjä tai esittelytuotteita. Ellei sovellettavassa laissa toisin säädetä, tämän takuun nojalla myönnetylle korvaavalle tuotteelle myönnetään takuu vain alkuperäisen takuuajan päättymiseen saakka.

Tämä takuu kattaa tuotteen vikaantumiset ja toimintahäiriöt edellyttäen, että tuotetta on käytetty siihen tarkoitukseen, johon se on tarkoitettu, ja että se on asennettu, puhdistettu, hoidettu ja huollettu näissä ehdoissa, käyttöohjeessa ja vakiokäytännössä ilmoitettujen tietojen mukaisesti edellyttäen, ettei vakiokäytäntö ole ristiriidassa käyttöohjeen kanssa. Tämä takuu ei kata vikoja ja vaurioita, jotka johtuvat normaalista kulumisesta tai vahingoista, jotka voivat olla seurausta vääränlaisesta käytöstä, virheellisestä asennuksesta tai kokoonpanosta, laiminlyönnistä, onnettomuudesta, väärinkäytöstä tai tuotteen muuttamisesta. Ellei sovellettavassa lainsäädännössä toisin säädetä, tämä takuu ei missään tapauksessa kata liitännäiskustannuksia (kuljetus-, siirto-, purku- ja uudelleenasennuskustannuksia, työvoimakustannuksia jne.) eikä suoria tai välillisiä vahinkoja.

Tämä takuu ei kata vikoja ja vahinkoja, jotka ovat aiheutuneet tai johtuvat seuraavista:

- Normaali kuluminen
- Ylikuormitus, väärinkäyttö tai laiminlyönti
- Korjausyritykset, joita tekee muu kuin valtuutettu edustaja
- Kosmeettiset vauriot
- Vieraiden esineiden, aineiden tai vahinkojen aiheuttamat vauriot.
- Tahaton vaurioituminen tai muuttaminen
- Valmistajan ohjeiden noudattamatta jättäminen
- Tavaroiden käytön menetykset

Jos tuote on viallinen, korjaamme tai vaihdamme sen kohtuullisen ajan kuluessa. Tämän takuun mukaiset oikeudet ovat täytäntöönpanokelpoisia siinä maassa, josta olet ostanut tämän tuotteen. Takuuseen liittyvät kysymykset on osoitettava myymälälle, josta ostit tämän tuotteen. Takuu täydentää lakisääteisiä oikeuksiasi eikä vaikuta niihin.

FI

# EY-vaatimustenmukaisuusvakuutus

Me,

**Onninen Oy**

**Osoite:** Satamakatu 3, FI-00160, Helsinki, Finland

**Puhelin:** +358-10 53032

**takaamme ja vakuutamme, että tämä tuote**

Laitte: UPOTETTAVA PAINEPUMPPU

Tuotenimi: OPAL

Malli/tyyppi: DFM884/LKS-1102SE

**on**

Konedirektiivi (MD) 2006/42/EY,  
sähkömagneettisen yhteensopivuuden direktiivin (EMC) 2014/30/EY,  
RoHS 2011/65/EU Annex II & (EU) 2015/863

**säännösten mukainen ja että seuraavia harmonisoituja standardeja ja teknisiä erittelyjä on sovellettu:**

MD:

EN 60335-1:2012+A11+A13+A1+A14+A2+A15

EN IEC 60335-2-41:2021+A11

EN 62233:2008

EMC:

EN IEC 55014-1:2021

EN IEC 55014-2:2021

EN IEC 61000-3-2:2019+A1

EN 61000-3-3:2013+A1+A2

Helsinki, Finland, October 30<sup>th</sup>, 2024  
Kesko Corporation Group Companies



Ville Särkilahti - General Manager

## **SE**

Bruksanvisning

Bästa kund

Tack för ditt förtroende för vår produkt!

Innan du använder produkten för första gången, var god läs denna bruksanvisning! Här finns information om hur produkten används på ett säkert sätt som säkerställer en lång livslängd för produkten. Du bör ägna uppmärksamhet åt alla säkerhetsanvisningar i detta dokument!

## **Säkerhetsinformation**

### **Allmänna säkerhetsvarningar**

- Denna utrustning får inte användas av barn. Rengöring och användarunderhåll får inte utföras av barn.
- Koppla alltid bort utrustningen från elnätet före montering, demontering eller rengöring.
- Utrustningen får användas av personer med nedsatt fysisk, sensorisk eller mental förmåga eller personer som saknar erfarenhet och kunskap om de övervakas eller har fått instruktioner om hur utrustningen ska användas på ett säkert sätt och de förstår riskerna med användningen.
- Barn får inte leka med utrustningen.
- Pumpar som saknar uppgift om att de är skyddade mot frysning får inte lämnas utomhus när det råder frostväder.
- Observera! Om nätkabeln är skadad måste den bytas ut av tillverkaren, dennes serviceombud eller motsvarande behöriga personer för att undvika säkerhetsrisker.

- Bekanta dig med handhavande, justering och funktioner. Följ säkerhets- och bruksanvisningarna för att undvika möjliga risker och faror.
- Kontakta en behörig person eller din återförsäljare om du har frågor efter att ha läst bruksanvisningen.
- Förvara bruksanvisningen så att den är tillgänglig för alla användare. Lämna också med den om du ger produkten till någon annan.
- Försök inte att modifiera produkten på något sätt. Använd endast de redskap och tillbehör som rekommenderas av tillverkaren.
- Använd produkten enbart i enlighet med denna bruksanvisning. Felaktig användning och hantering kan leda till fara för människor och egendom.
- Använd inte produkten om det finns synliga skador. Kontrollera nätkabel, stickpropp, slangar och hölje före varje användningstillfälle. Skadade produkter måste repareras eller kasseras på rätt sätt.
- Koppla omedelbart bort produkten från strömförsörjningen om sladden eller produkten är skadad eller om ett fel uppstår.
- Låt endast en behörig specialist reparera produkten. Felaktiga reparationer kan leda till elektriska stötar eller andra olyckor.

- Dra i kontakten i stället för i nätkabeln för att koppla bort produkten från strömförsörjningen.
- Kläm eller böj den inte nätkabeln, och låt den inte hänga över kanter.
- Använd förlängningsladdar som uppfyller de tekniska kraven för denna produkt om du måste använda en förlängningsladd. När du använder produkter utomhus ska du använda en förlängningsladd som är lämplig för utomhusbruk.

## **Säkerhetsvarningar för pumpen**

- Utrustningen ska installeras i enlighet med gällande nationella regler för elinstallationer.
- Pumpen ska försörjas med ström via en jordfelsbrytare (RCD) med en brytströmstyrka som inte överstiger 30 mA.
- Förhindra med lämpliga åtgärder att barn får tillgång till utrustningen.
- Använd inte pumpen när människor befinner sig i vattnet.
- Pumpen får inte användas utan vatten.
- Se till att inga vattendjur (t.ex. fiskar) suggs upp av pumpen.
- Tänk på att förorening av vätskan kan uppstå på grund av läckage av smörjmedel.
- Skydda elanslutningar och sladdar mot värme, olja, vassa kanter och fukt.

- Skydda pumpen mot frost och torrkörning.
- Undvik cirkulation av aggressiva vätskor med frätande material.
- Använd inte nätkabeln eller flottörbrytarens kabel för att transportera eller fästa produkten. Fäst ett rep i handtaget för nedsänkning, upplyftning eller fastsättning.
- Kontrollera och rengör pumpens utlopp och inlopp vid behov.
- Pumpa inte vätskor med sand eller andra frätande ämnen. Det orsakar ökat slitage och minskar pumpens effekt.
- Pumpen är konstruerad för smutsigt vatten där suspenderade föroreningars diameter inte överstiger 25 mm.
- Pumpen ska användas för pumpning av vatten vars temperatur är under 35 °C, använd inte produkten för andra vätskor (kolväten, oljor, frätande vätskor, brandfarliga vätskor ...).
- Använd aldrig pumpen när det finns risk för frost.
- Produkten är inte avsedd för kontinuerlig användning. Låt den vila i 10 minuter varje gång efter 1 timmes drift.

### **Nödfall**

Bekanta dig med användningen av denna produkt med hjälp av denna bruksanvisning. Lär dig säkerhetsanvisningarna utantill och följ dem till punkt och pricka. Detta bidrar till att förebygga risker och faror.

1. Var alltid uppmärksam när du använder denna produkt, så att du tidigt

kan upptäcka och hantera risker. Ett snabbt ingripande kan förhindra allvarliga person- och egendomsskador.

2. Koppla från strömförsörjningen om det uppstår funktionsstörningar. Låt en behörig yrkeskunnig kontrollera produkten och vid behov reparera den innan du använder den igen.

### **Kvarstående risker**

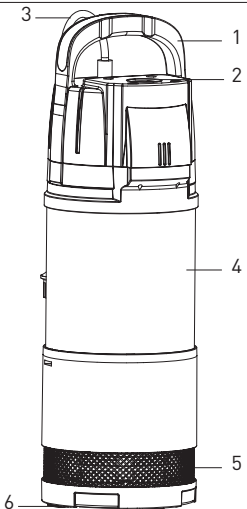
Även om du använder denna produkt i enlighet med alla säkerhetsföreskrifter, finns det fortfarande potentiell risk för person- och egendomsskador. Följande faror kan uppstå i samband med produktens konstruktion och utformning:

1. Hälsorisker till följd av vibrationer om produkten används under långa tidsperioder eller inte hanteras och underhålls på rätt sätt.
2. Person- och egendomsskador på grund av trasiga tillbehör eller plötsliga sammanstötningar med dolda föremål under användning.
3. Risk för person- och egendomsskador orsakade av flygande föremål.
4. Risk att produkten spricker.



**! WARNING!** Denna produkt genererar ett elektromagnetiskt fält under drift! Detta fält kan under vissa omständigheter störa aktiva eller passiva medicinska implantat! För att minska risken för allvarliga eller dödliga skador rekommenderar vi att personer med medicinska implantat rådgör med sin läkare och tillverkaren av det medicinska implantatet innan de använder denna produkt!

## 1. Funktioner / delar

1	Handtag	
2	Utlopp	
3	Nät kabel	
4	Pumphus	
5	Inloppsfilter	
6	Socket	

## 2. Tekniska data

Modell	DFM884 (LKS-1102SE)
Nätspänning/frekvens	220-240 V, 50 Hz
Strömförbrukning	1100 W
Max. flödes hastighet	6000 l/h
Total uppfodringshöjd max.	45 m
Nedsänkingsdjup max.	12 m
Max pumptryck:	4,5 bar
Vattentemperatur max.	35 °C
Vattentemperatur min.	5 °C
Strömkabel	H07RN-F 15 m
Skyddsklass	IPX8
Vikt	10,6 kg
Dimensioner	500 x 150 x 150 mm
Utloppsanslutning	F40/49 (1"1/2)
Storlek på fasta partiklar som pumpas max.	1 mm Rent vatten

## 3. Montering

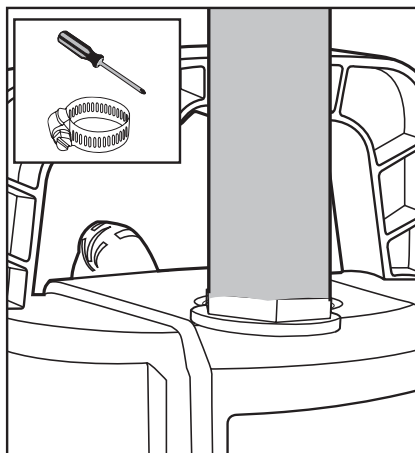


**WARNING!**

Se till att pumpen är fränkopplad från

strömförsörjningen innan någon av följande montering utförs.

1. Skruva in den lämpliga anslutningen (ingår ej) i pumphusets utlopp genom att vrida medurs.
2. Fäst slangen/tuben/röret ordentligt på slangadaptern, montera slangklämmor (ingår ej) om du använder flexibel slang eller rör, och dra åt ordentligt.



OBS! Den maximala pumphastigheten kan endast uppnås med den största möjliga rördiametern, om mindre slangar eller rör ansluts kommer pumphastigheten att sjunka.

#### 4. Förberedelse

Utför några enkla kontroller innan du börjar:

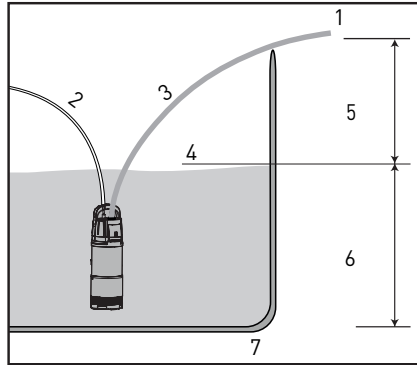


**WARNING!**

Bär, lyft eller dra aldrig upp pumpen i nätkabeln. detta kommer att skada enheten.

1. Kontrollera att utloppsslangen är korrekt ansluten.
2. Se till att höjdskillnaden mellan vattenytan och den högsta punkt dit du vill pumpa vattnet inte överstiger 15 m.

- 1 UTSLÄPPSPUNKT
- 2 STRÖMKABEL: 15 M
- 3 UTLOPPSSLANG
- 4 VATTENNIVÅ
- 5 MAX. UPPFORDRINGSHÖJD  
45 M
- 6 MAX. NEDSÄNKNINGSDJUP  
12 M
- 7 VATTENBEHÅLLARE



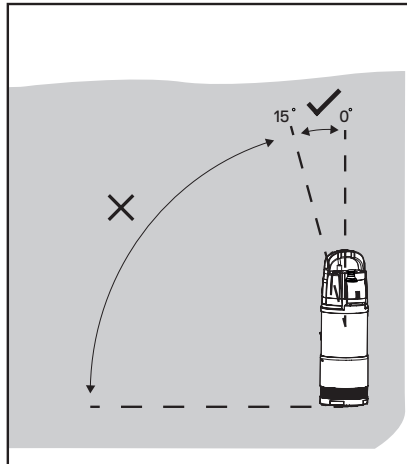
3. Se till att det inte finns något som blockerar sugsockeln och att den är fri från lera och sediment.



**WARNING!**

Dennaprodukt är avsedd för att pumpa vatten i hemmiljö. använd den inte för frätande, slipande, explosiva eller farliga vätskor.

Se till att pumpen är i vertikalt läge.



**Användning:**



**WARNING!**

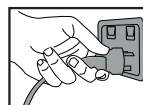
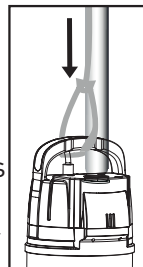
Denna pump måste användas med jordfelsbrytare med nominell restström som är 30 ma eller

mindre.

## VARNING!

Innan pumpen sänks ner i vatten, dra ut nätkabeln och se till att kontakten är fri från fukt

1. Fäst repet i pumpens handtag och sänk ner den i vattnet i brunnen eller cisternen  
Se till att den är nedsänkt minst 50 cm och att dess sockel är minst 1 m från botten för att säkerställa att inga partiklar sugas in eller skadar pumpen.
2. Sätt i stickkontakten i eluttaget. Pumpen startar 3 sekunder efter att strömmen har slagits på.
3. Stäng av nätströmmen för att stoppa driften.



## VARNING!

Din pump har kapacitet att pumpa rent vatten med en storlek på icke fasta partiklar på upp till 1 mm i diameter.

## VARNING!

Pumpen får inte användas när människor befinner sig i vattnet.

### **Automatiskt läge**

Pumpen går tills utloppet är helt stängt (alla kranar stängs), därefter ökar trycket tills den stängs av automatiskt om det inte finns någon läcka eller vattenförbrukning.

Trycket i rören upprätthålls tills kranarna öppnas igen eller om minsta vattendroppe förbrukas, då startar den om.

Observera att pumpen startar först när trycket sjunker under 2,5 bar. Det är därför absolut nödvändigt att ingen utloppspunkt är placerad mer än 25 m ovanför pumpen, eftersom trycket från vattenpelarens vikt annars kommer att förhindra varje återstart.

## Skydd mot torrkörning

Pumpen stängs av automatiskt när det inte längre finns något vatten att pumpa.

Pumpen kommer att utföra ett återstartstest för vatten i cykler om 30 sekunder PÅ / 5 sekunder AV (4x) under en 24-timmarsperiod.

Så snart pumpen åter är nedsänkt i vatten till ett djup av minst 120 mm är den driftklar igen.



## WARNING!

Se till att pumpens utlopp är helt stängt när det inte används, ett delvis öppet utlopp kan skada pumpen.

## 5. Underhåll

Denna pump kräver inget särskilt underhåll. Det är dock tillrådligt att regelbundet kontrollera att mekanismerna är rena, att det inte finns några avlagringar eller beläggningar, att pumpen är korrekt nedsänkt och att avståndet till brunnens eller tankens botten är minst 1 m.

Kabeln får aldrig förkortas, kapas eller stickkontakten tas bort, inte ens när den förs genom en vägg.

Garantin upphör att gälla vid elektriska fel och vid modifiering av den elektriska originalutrustningen.

## 6. Felsökning

Problem	Möjlig orsak	Lösning
Pumpen startar inte, eller så pumpas inte vatten	Pumpen är inte ansluten till strömförsörjningen. Pumphjulet har fastnat. Det termiska överbelastningsskyddet är aktiverat. Motorn är skadad. Uppfordringshöjden är för hög för att pumpautomatiken ska kunna justeras (mer än 25 m).	Kontrollera att pumpen är ansluten till elnätet. Stäng av pumpen och inspektera och avlägsna hindret. Vänta tills motorn har svalnat och den startar automatiskt. Kontakta vår kundtjänst. Sätt tillbaka pumpen i brunnen på att uppfordringshöjden är mindre än 25 m.

<p>Pumpen levererar inte vatten när motorn är igång</p>	<p>Sugsockeln är blockerad/ igensatt. Luftlås i slangen/röret och/eller pumpen (luftbubblor). Utlopps-slangen/-röret (medföljer ej) är böjt eller skadat. Den höjd som ska övervinnas är för stor för pumpens kapacitet. Utloppsröret eller rördelarna har för liten diameter för pumpens utlopp.</p>	<p>Rengör sugsockeln från eventuella främmande föremål och skräp. Starta upp flera gånger för att få bort all luft eller lyft och luta pumpen något medan pumpen är igång. Frigör utlopps-slangen/-röret. Eller byt ut slangen/röret. Koppla bort nätströmmen och kontrollera att inga främmande föremål finns utloppsröret eller filtret. Höj pumpen i brunnen om vattennivån tillåter det. Öka diametern på anslutningar och utloppsrör.</p>
<p>Pumpens flödes-hastighet sjunker</p>	<p>Sugsockeln är delvis blockerad/ igensatt. Slangen/röret är igensatt. Luftläckage i sugledning eller dess skarvar. Felaktig montering leder till luft- och vattenläckage i utloppsledning. Utloppsröret eller rördelarna har för liten diameter för pumpens utlopp.</p>	<p>Rengör sugsockeln från eventuella främmande föremål och skräp. Avlägsna hindren. Kontrollera sugledningens anslutningar med avseende på luftläckage och dra åt eller åtgärda eventuella läckor. Se till att utloppsrören har rätt längd och att alla monteringsanvisningar har följts. Öka diametern på anslutningar och utloppsrör.</p>
<p>Slangen sitter inte kvar på kopplingen när vatten strömmar igenom</p>	<p>Slangen/röret är något bredare än måttet på anslutningen/ adaptern.</p>	<p>Ett lim kan användas inuti slangen/ röret för att förhindra detta eller så kan teflontejp fästas runt anslutningen/ adaptern eller så kan en slangklämma användas.</p>
<p>Pumpen arbetar periodvis</p>	<p>Sugsockeln är blockerad/ igensatt. Felaktig spänning används. Vätskan innehåller partiklar som är större än 1 mm. Motorn är defekt eller skadad.</p>	<p>Rengör sugsockeln från eventuella främmande föremål och skräp. Se till att pumpen är ansluten till 220–240 V strömförsörjning. Pumpen inte används med partiklar som är tjockare än 1 mm. Kontakta vår kundtjänst.</p>



Betydelse av överkorsad soptunna med hjul:

Kassera inte elektriska apparater som osorterat hushållsavfall, utan använd särskilda återvinningsanläggningar.

Kontakta din lokala myndighet för information om vilka återvinnings-system som finns tillgängliga.

Om elektriska apparater kasseras i deponier eller på soptippar, kan farliga

ämnen läcka ut i grundvattnet och komma in i livsmedelskedjan, vilket kan skada din hälsa och ditt välbefinnande.

När du byter ut gammal utrustning mot ny är återförsäljaren enligt lag skyldig att kostnadsfritt ta emot din gamla utrustning för bortskaffande.

## Garanti

Vi är noga med att välja material av hög kvalitet och använder tillverkningstekniker som gör det möjligt för oss att skapa produkter som förenar design och hållbarhet. Denna produkt (DFM884) har en tillverkargaranti på 2 år avseende tillverkningsfel, från inköpsdatum (om den köpts i butik) eller leveransdatum (om den köpts online), utan extra kostnad.

För att göra anspråk på denna garanti måste du visa upp ditt inköpsbevis (t.ex. ett kvitto, en inköpsfaktura eller annat bevis som är godkänt enligt tillämplig lag). Förvara ditt inköpsbevis på ett säkert ställe. För att denna garanti ska gälla måste produkten du köpt vara ny, den gäller inte för begagnade produkter eller demonstrationsexemplar. Om inte annat anges i tillämplig lag, kommer varje ersättningsprodukt som överlämnas enligt denna garanti endast att omfattas av garanti fram till utgången av den ursprungliga garantiperioden.

Denna garanti täcker produktfel och funktionsstörningar förutsatt att produkten har använts för det ändamål den är avsedd för och att installation, rengöring, skötsel och underhåll har utförts i enlighet med informationen i dessa villkor, i bruksanvisningen och enligt gängse praxis, förutsatt att gängse praxis inte står i strid med bruksanvisningen.

Denna garanti täcker inte defekter och skador som orsakas av normalt slitage eller skador som kan vara resultatet av felaktig användning, felaktig installation eller montering, försummelse, olycka, felaktig användning eller modifiering av produkten. Om inget annat finns i tillämplig lag omfattar denna garanti inte i något fall följdkostnader (frakt, flyttning, kostnader för borttagande eller återinstallation, arbete etc.) eller direkta och indirekta skador.

Denna garanti täcker inte defekter och skador som orsakas av eller är till följd av:

- Normalt slitage och förslitning
- Överbelastning, felaktig användning eller försummelse
- Reparationsförsök utförda av någon annan än ett auktoriserat ombud
- Kosmetiska skador
- Skador orsakade av främmande föremål, främmande ämnen eller olyckor

- Oavsiktlig skada eller modifiering
- Underlåtenhet att följa tillverkarens riktlinjer
- Förlust till följd av användning av varorna

Om produkten är defekt kommer vi inom rimlig tid att reparera eller byta ut den. Rättigheter enligt denna garanti kan göras gällande i det land där du köpte denna produkt. Garantirelaterade frågor ska ställas till den butik där du köpte produkten.

Garantin är ett tillägg till och påverkar inte dina lagstadgade rättigheter.

SE

# EU-deklaration om överensstämmelse

Vi,

**Onninen Oy**

**Adress:** Satamakatu 3, FI-00160, Helsinki, Finland

**Telefon:** +358-10 53032

**deklarerar under eget ansvar att följande product**

Produkt: DRÄNKBAR TRYCKPUMP

Märkesnamn: OPAL

Modell/typ: DFM884/LKS-1102SE

**överensstämmer med**

Maskindirektivet (MD) 2006/42/EG,

direktiv om elektromagnetisk kompatibilitet (EMC) 2014/30/EG

RoHS 2011/65/EU Annex II & (EU) 2015/863

**och att följande harmoniserade standarder och tekniska specifikationer har tillämpats:**

MD:

EN 60335-1:2012+A11+A13+A1+A14+A2+A15

EN IEC 60335-2-41:2021+A11

EN 62233:2008

EMC:

EN IEC 55014-1:2021

EN IEC 55014-2:2021

EN IEC 61000-3-2:2019+A1

EN 61000-3-3:2013+A1+A2

Helsinki, Finland, October 30<sup>th</sup>, 2024

Kesko Corporation Group Companies



Ville Särkilahti - General Manager

## **NO**

Bruksanvisning

Kjære kunde

Takk for at du stoler på produktet vårt!

Før du bruker produktet for første gang, les denne bruksanvisningen! Her finner du informasjon om hvordan å bruke produktet trygt og sikre dets lange levetid. Vær oppmerksom på alle sikkerhetsinstruksjonene i dette dokumentet!

## **Sikkerhetsinformasjon**

### **Generelle sikkerhetsadvarsler**

- Dette apparatet skal ikke brukes av barn. Rengjøring og brukervedlikehold skal ikke utføres av barn.
- Koble alltid apparatet fra strømforsyningen før montering, demontering eller rengjøring.
- Apparater kan brukes av personer med reduserte fysiske, sensoriske eller mentale evner eller manglende erfaring og kunnskap, gitt at de har fått veiledning eller instruksjon i hvordan apparatet skal brukes på en sikker måte, og at de forstår farene forbundet med bruken.
- Barn skal ikke leke med apparatet.
- Pumper som ikke er beskyttet mot frost, skal ikke etterlates utendørs når det er minusgrader.
- Obs! Hvis strømledningen er skadet, må den skiftes ut av produsenten, dennes serviceverksted eller tilsvarende kvalifiserte personer for å unngå sikkerhetsfare.

- Gjør deg kjent med betjening, justeringer og funksjoner. Følg sikkerhets- og bruksanvisningene for å unngå mulige farer og risikoer.
- Kontakt en kvalifisert person eller forhandleren din hvis du har spørsmål etter å ha lest bruksanvisningen.
- Oppbevar bruksanvisningen slik at den er tilgjengelig for alle brukere. Gi den også videre når du gir produktet til andre.
- Ikke forsøk å modifisere produktet på noen måte. Bruk kun tilbehør som er anbefalt av produsenten.
- Bruk produktet kun i samsvar med denne bruksanvisningen. Misbruk og feil håndtering vil føre til fare for mennesker og eiendom.
- Ikke bruk produktet hvis det er synlige skader. Kontroller strømledningen, støpselet, tilkoblede slanger og kabinettet før hver bruk. Defekte produkter må repareres eller kasseres på riktig måte.
- Koble produktet fra strømforsyningen umiddelbart hvis ledningen eller produktet er skadet, eller hvis det oppstår en feil.
- Produktet må kun repareres av en kvalifisert fagperson. Feilaktige reparasjoner kan føre til elektrisk støt eller andre ulykker.
- Trekk i støpselet i stedet for i strømledningen for

å koble produktet fra strømforsyningen.

- Ikke la strømledningen henge over kanter, og ikke klem eller bøye den.
- Bruk skjøteledninger som oppfyller de tekniske kravene til dette produktet hvis bruk av skjøteledning er uunngåelig. Bruk en skjøteledning som er egnet for utendørs bruk når produktene brukes utendørs.

## **Advarsler om pumpesikkerhet**

- Apparatet skal installeres i samsvar med nasjonale forskrifter om ledninger.
- Pumpen skal forsynes gjennom en reststrømsenhet (RCD) med nominell driftsstrøm som ikke overstiger 30 mA.
- Bruk egnede tiltak for å forhindre at barn får tilgang.
- Ikke bruk pumpen når det er personer i vannet.
- Ikke bruk pumpen uten vann.
- Sørg for at ingen sjødyr (f.eks. fisk) suges opp av pumpen.
- Vær oppmerksom på at forurensning av væsken kan forekomme på grunn av lekkasje av smøremidler.
- Beskytt de elektriske tilkoblingene og ledningene mot varme, olje, skarpe kanter og fuktighet.
- Beskytt pumpen mot frost og tørrkjøring.
- Unngå sirkulasjon av aggressive væsker og

slipende materialer.

- Ikke bruk strømledningen eller flottørbryterkabelen til å transportere eller sikre produktene. Fest et tau til håndtaket for nedsenking, løfting eller sikring.
- Kontroller og rengjør pumpens utløp og innløp ved behov.
- Ikke pump væsker med sand eller andre slipende stoffer. Det fører til økt slitasje og reduserer pumpens ytelse.
- Pumpen er beregnet for skittent vann med en diameter på suspenderte urenheter som ikke overstiger 25 mm.
- Pumpen skal brukes for pumping av vann med temperaturer under 35 °C. Ikke bruk produktet for andre væsker (hydrokarboner, oljer, etsende væsker, brannfarlige væsker...).
- Bruk aldri pumpen når det er fare for frost.
- Produktet er ikke beregnet for kontinuerlig bruk. La den hvile i 10 minutter etter hver en times kjøring.

### **Nødsituasjon**

Gjør deg kjent med bruken av dette produktet ved hjelp av denne bruksanvisningen. Lær deg sikkerhetsanvisningene utenat og følg dem til punkt og prikke. Dette vil bidra til å forebygge risiko og farer.

1. Vær alltid på vakt når du bruker dette produktet, slik at du kan oppdage og håndtere risikoer tidlig. Rask inngripen kan forhindre alvorlige person- og eiendomsskader.

2. Koble fra strømforsyningen hvis det oppstår funksjonsfeil. Få produktet kontrollert av en kvalifisert fagperson og reparer det om nødvendig før du tar det i bruk igjen.

## Restrisikoer

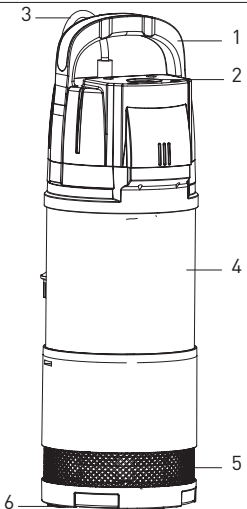
Selv om du bruker dette produktet i samsvar med alle sikkerhetskravene, er det fortsatt en potensiell risiko for skader på personer og eiendom. Følgende farer kan oppstå i forbindelse med dette produktets konstruksjon og design:

1. Helseeffekter som følge av vibrasjonsemissjon hvis produktet brukes over lengre tid eller ikke håndteres og vedlikeholdes på riktig måte.
2. Personskader og materielle skader på grunn av ødelagte festeanordninger eller plutselige sammenstøt med skjulte gjenstander under bruk.
3. Fare for personskader og materielle skader forårsaket av flygende gjenstander.
4. Risiko for sprengning.



**ADVARSEL!** Dette produktet produserer et elektromagnetisk felt under drift! Dette feltet kan under visse omstendigheter forstyrre aktive eller passive medisinske implantater! For å redusere risikoen for alvorlige eller dødelige skader anbefaler vi at personer med medisinske implantater rådfører seg med legen sin og produsenten av det medisinske implantatet før de tar i bruk dette produktet!

## 1. Funksjoner / detaljer

1	Håndtak	
2	Uttak	
3	Strømledning	
4	Pumpehus	
5	Filterskjerm for inntak	
6	Sokkel	

## 2. Tekniske data

Modell	DFM884 (LKS-1102SE)
Nettspenning/frekvens	220-240 V, 50 Hz
Strømforbruk	1100 W
Maks. strømningshastighet	6000 l/h
Total trykkhøyde maks.	45 m
Nedsenkingsdybde maks.	12 m
Maks. leveringstrykk:	4,5 bar
Vanntemperatur maks.	35 °C
Vanntemperatur min.	5 °C
Strømkabel	H07RN-F 15 m
Beskyttelsesgrad	IPX8
Vekt	10,6 kg
Dimensjoner	500 x 150 x 150 mm
Utløpskobling	F40/49 (1"1/2)
Størrelse på faste partikler som pumpes maks.	1 mm Rent vann

## 3. Montering

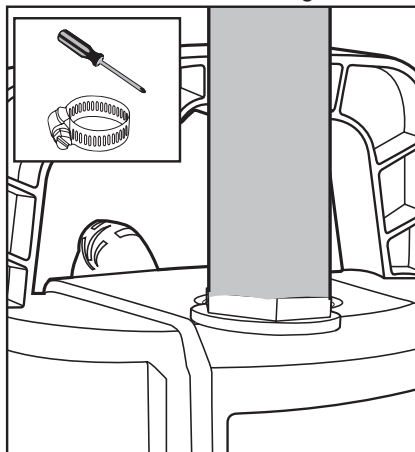


**ADVARSEL!**

Forsikre deg om at pumpen er koblet fra

strømforsyningen før noe av følgende montering utføres.

1. Skru den egnede kontakten (medfølger ikke) inn i pumpehusets utløp ved å rotere med urviseren.
2. Fest slangen/røret godt til slangeadapteren, monter slangeklemmer (ikke inkludert) hvis du bruker fleksibel slange eller rør, og stram godt til.



**MERK:** Maksimal pumpehastighet er kun mulig med størst mulig ledningsdiameter. Hvis mindre slanger eller rør kobles til, vil pumpehastigheten reduseres.

#### 4. Klargjøring

Utfør noen enkle kontroller før du starter:

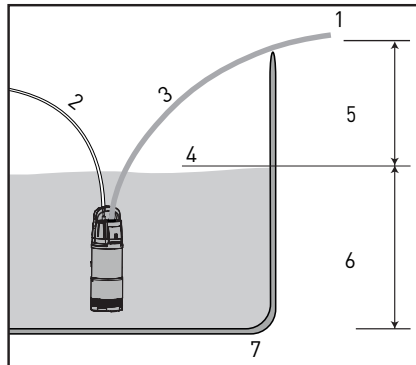


**ADVARSEL:**

Bær, løft eller trekk aldri pumpen opp etter strømledningen. Dette vil skade enheten.

1. Kontroller at utløpsslangen er riktig tilkoblet.
2. Sørg for at høyden mellom vannoverflaten og det høyeste punktet du ønsker å levere vannet til, ikke overstiger 15 meter.

- 1 UTSLIPPSPUNKT
- 2 STRØMKABEL: 15M
- 3 UTLØPSSLANGE
- 4 VANNSTAND
- 5 MAKS. HØYDE 45 M
- 6 MAKS. NEDSENKNINGSDYBDE 12 M
- 7 VANNBEHOLDER



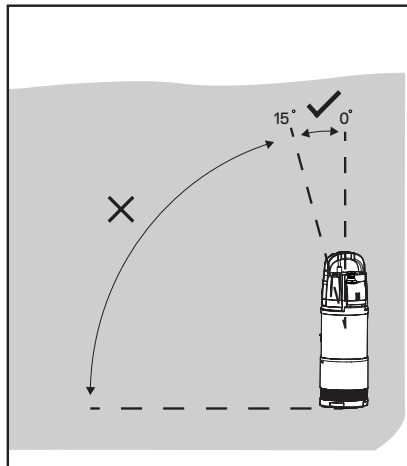
3. Sørg for at det ikke er noen hindringer i sugesokkelen, og at den er fri for gjørme eller sediment.



**ADVARSEL:**

Dette produktet er beregnet for pumping av vann i hjemmet. ikke bruk den til etsende, slipende, eksplosive eller farlige væsker.

Sikre at pumpen står loddrett.



**Drift:**



**ADVARSEL:**

Denne pumpen må brukes med reststrømsenhet klassifisert til 30 mA eller mindre.

## ADVARSEL:

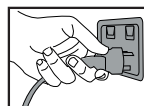
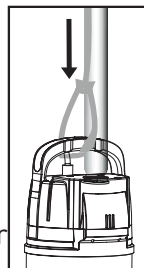
Før pumpen senkes ned i vannet, pakk ut strømledningen og sikre at støpselet ikke befinner seg på fuktige steder

1. Fest tauet til pumpehåndtaket og senk det ned i vannet i brønnen eller cisternen

Sikre at den senkes ned minst 50 cm, og at sokkelen er minst 1 m fra bunnen av arbeidsområdet for å sikre at partikler ikke suges inn eller skader pumpen.

2. Sett støpselet inn i stikkontakten. Pumpen starter 3 sekunder etter at strømmen er slått på.

3. Slå av nettstrømmen for å stoppe driften.



## ADVARSEL:

Pumpen din har kapasitet til å pumpe rent vann med en partikkelstørrelse på opptil 1 mm i diameter.

## ADVARSEL:

Pumpen må ikke brukes når det befinner seg personer i vannet.

### **Automatisk modus**

Pumpen går til utløpet er helt lukket (alle kraner stenges), og deretter øker trykket helt til den automatisk slår seg av hvis det ikke er lekkasje eller vannforbruk.

Trykket i rørene opprettholdes helt til kranene åpnes igjen eller den minste dråpe vann forbrukes, og deretter starter det på nytt.

Vær oppmerksom på at pumpen bare starter igjen når trykket faller under 2,5 bar: Det er derfor viktig at ingen utløpspunkter er plassert mer enn 25 m over pumpen, ellers vil trykket fra vannsøylens vekt forhindre enhver omstart.

## Beskyttelse mot tørrkjøring

Pumpen slås av automatisk når det ikke lenger er vann å pumpe.

Pumpen utfører en omstartstest for vann i sykluser på 30 sekunder PÅ / 5 sekunder AV (4x) i løpet av en 24-timers periode.

Så snart pumpen er nedsenket i vann til en dybde på minst 120 mm, er den klar til bruk igjen.



## ADVARSEL:

Sørg for at pumpeutløpet er helt lukket når det ikke er i bruk, et delvis åpent utløp kan skade pumpen.

## 5. Vedlikehold

Denne pumpen krever ikke noe spesielt vedlikehold - det anbefales likevel å regelmessig kontrollere at mekanismene er rene, at det ikke finnes avleiringer eller belegg, at nedsenkingen er korrekt og at avstanden til bunnen av brønnen eller tanken er minst 1 m.

Kabelen må aldri forkortes, kuttet eller pluggen fjernes, selv ikke når den går gjennom en vegg.

Garantien vil være ugyldig ved elektrisk feil og endring av det originale elektriske utstyret.

## 6. Feilsøking

Problem	Mulig årsak	Løsning
Pumpen starter ikke, eller pumper vann	Pumpen er ikke koblet til strømforsyningen. Pumpehjulet er fastkjørt. Det termiske overbelastningsvernet er aktivert. Motoren er skadet. Høyden som skal heves er for stor til at pumpeautomatikken kan justeres (mer enn 25 m).	Kontroller at pumpen er koblet til strømnettet. Slå av pumpen og inspiser og fjern blokkeringen. Vent til motoren er avkjølt, og den vil automatisk starte. Ta kontakt med kundeserviceavdelingen. Sett pumpen tilbake i brønnen slik at den er mindre enn 25 m høy.

<p>Pumpen leverer ikke vann når motoren er i gang</p>	<p>Sugesokkelen er blokkert/ tilstoppet. Luftlås i slangen/røret og/eller pumpen (luftbobler). Utløpsslangen/-røret (ikke inkludert) er knekt eller skadet. Høyden som skal overvinnes er for stor for pumpens kapasitet. Utløpsrøret eller -beslaget har for liten diameter for pumpeutløpet.</p>	<p>Rengjør sugesokkelen for fremmedlegemer og rester. Utfør flere oppstarter for å fjerne all luft, eller løft og vipp pumpen litt mens den er i gang. Løsne knekk på utløpsslangen/røret. Eller skift ut slangen/røret. Koble fra strømforsyningen og kontroller utløpet og filteret for eventuelle fremmedlegemer. Hev pumpen i brønnen hvis vannstanden tillater det. Øk diameteren på beslag og utløpsrør.</p>
<p>Pumpens strømningshastighet reduseres</p>	<p>Sugesokkelen er delvis blokkert. Slangen/røret er blokkert. Luftlekkasje i sugeledningen eller skjøtene. Feil montering fører til luft- og vannlekkasje i utløpsledningene. Utløpsrøret eller -beslaget har for liten diameter for pumpeutløpet.</p>	<p>Rengjør sugesokkelen for fremmedlegemer og rester. Fjern hindringene. Kontroller sugeledningstilkoblingene for luftlekkasjer, og stram til eller reparer der det finnes. Sørg for at utløpsledningene har riktig lengde og at alle monteringsanvisninger følges. Øk diameteren på beslag og utløpsrør.</p>
<p>Slangen holder seg ikke på koblingen når vannet strømmer gjennom</p>	<p>Slangen/røret er litt bredere enn dimensjonen på koblingen/adapteren.</p>	<p>For å forhindre dette kan det brukes lim på innsiden av slangen/røret, teflontape kan festes rundt koblingen/adapteren, eller det kan brukes en slangeklemme.</p>
<p>Pumpen går med ujevne mellomrom</p>	<p>Sugesokkelen er blokkert/ tilstoppet. Feil spenning brukes. Væsken inneholder partikler som er tykkere enn 1 mm. Motoren er defekt eller skadet.</p>	<p>Rengjør sugesokkelen for fremmedlegemer og rester. Sørg for at pumpen er koblet til en 220-240 V strømforsyning. pumpen ikke brukes med partikler som er tykkere enn 1 mm. Ta kontakt med kundeserviceavdelingen.</p>



Betydning av søppeldunk med kryss over:

Ikke kast elektriske apparater som usortert kommunalt avfall, lever dem til en gjenvinningsstasjon.

Kontakt lokale myndigheter for informasjon om nærmeste tilgjengelige gjenvinningsstasjon.

Hvis elektriske apparater kastes på søppelhauger, kan farlige stoffer lekke ut i grunnvannet og komme inn i næringskjede og føre til skade på helse og velvære.

Når gamle apparater erstattes med nye, er forhandleren rettslig forpliktet til å avhende dine gamle apparater gratis.

## **GARANTI**

Vi er spesielt nøye med å velge materialer av høy kvalitet og bruke produksjonsteknikker som gjør det mulig for oss å skape produkter som kombinerer design og holdbarhet. Dette produktet (DFM884) har en produsentgaranti på 2 år mot produksjonsfeil, fra kjøpsdatoen (ved kjøp i butikk) eller leveringsdatoen (ved kjøp på nett), uten ekstra kostnad. For å gjøre krav i henhold til denne garantien må du fremvise kjøpsbevis (for eksempel kvittering, kjøpsfaktura eller annet bevis som er tillatt i henhold til gjeldende lov), oppbevar kjøpsbeviset på et trygt sted. For at denne garantien skal gjelde må produktet du har kjøpt være nytt, den gjelder ikke for brukte produkter eller utstillingsprodukter. Med mindre annet er angitt i gjeldende lovverk, vil ethvert erstatningsprodukt som utstedes i henhold til denne garantien kun være garantert frem til utløpet av den opprinnelige garantiperioden.

Denne garantien dekker produktfeil og funksjonsfeil forutsatt at produktet er brukt til det formålet det er beregnet for, og at installasjon, rengjøring, stell og vedlikehold er utført i samsvar med informasjonen i disse vilkårene, i bruksanvisning og i henhold til vanlig praksis, forutsatt at vanlig praksis ikke er i strid med bruksanvisningen.

Denne garantien dekker ikke defekter og skader som skyldes normal slitasje eller skader som kan være et resultat av feilaktig bruk, feilaktig installasjon eller montering, forsømmelse, uhell, misbruk eller modifisering av produktet. Med mindre annet følger av gjeldende lovgivning, dekker denne garantien under ingen omstendigheter ekstrakostnader (frakt, flytting, kostnader ved av- og påmontering, arbeid osv.) eller direkte og indirekte skader.

Denne garantien dekker ikke feil og skader forårsaket av eller som følge av:

- Normal slitasje og elde
- Overbelastning, feil bruk eller forsømmelse
- Reparasjonsforsøk utført av andre enn en autorisert agent
- Kosmetiske skader
- Skade forårsaket av fremmedlegemer, substanser eller ulykker
- Utilsiktet skade eller modifisering

- Unnlatelse av å følge produsentens retningslinjer
- Tap av bruk av varene

Hvis produktet er defekt, vil vi innen rimelig tid reparere eller erstatte det. Rettigheter i henhold til denne garantien kan håndheves i det landet der du kjøpte dette produktet. Garantirelaterte spørsmål skal rettes til butikken du kjøpte dette produktet fra.

Garantien kommer i tillegg til og påvirker ikke dine lovfestede rettigheter.

NO

# EU-samsvarserklæring

Vi

**Kesko Corporation,**

**Address:** PL 1,00016, Helsinki, Finland

**Telefon:** +358-10 53032

**Erklærer under vårt eneansvar at følgende produkt Utstyr:**

Utskyting: NEDSENKBAR TRYKKPUMPE

Merkenavn: OPAL

Modell/type: DFM884/LKS-1102SE

**er i samsvar med**

Maskindirektiv (MD) 2006/42/EC

Direktiv om elektromagnetisk kompatibilitet (EMC) 2014/30/EC,

RoHS 2011/65/EU Annex II & (EU)2015/863

**og følgende harmoniserte standarder og tekniske spesifikasjoner er brukt:**

MD:

EN 60335-1:2012+A11+A13+A1+A14+A2+A15

EN IEC 60335-2-41:2021+A11

EN 62233:2008

EMC:

EN IEC 55014-1:2021

EN IEC 55014-2:2021

EN IEC 61000-3-2:2019+A1

EN 61000-3-3:2013+A1+A2

Helsinki, Finland, October 30<sup>th</sup>, 2024

Kesko Corporation Group Companies



Ville Särkilähti - General Manager

## EE

Kasutusjuhend

Lugupeetud klient

Täname teid, et usaldate meie toodet!

Enne toote esmakordset kasutamist lugege palun käesolev kasutusjuhend kindlasti läbi. Leiate siit teavet selle kohta, kuidas kasutada toodet ohutult ja tagada selle pikk kasutuskestus. Palun pöörake tähelepanu kõigile selles dokumendis esitatud ohutusjuhiste.

## Ohutusteave

### Üldised ohutushoiatused

- Lapsed ei tohi seadet kasutada. Lapsed ei tohi seadet puhastada ega hooldada.
- Enne kokkupanekut, lahtivõtmist või puhastamist eemaldage seade alati vooluvõrgust.
- Väheste sensorsete, füüsiliste või vaimsete võimetega isikud ning need, kellel puuduvad vajalikud kogemused ja teadmised, tohivad seadmeid kasutada ainult nende ohutuse eest vastutava isiku järelevalve all või kui on saanud seadme ohutu kasutuse juhised ja mõistavad kaasnevaid ohtusid.
- Ärge lubage lastel seadmega mängida.
- Pumpasid, millel puudub märged, et need on külmumise eest kaitstud, ei tohi külma korral õue jätta.
- Tähelepanu! Kui toitekaabel on kahjustatud, peab selle ohutuse tagamiseks asendama tootja, hoolduspartner või sarnase kvalifikatsiooniga isik.

- Tutvuge käitus-, seadistus- ja kasutusvõimalustega. Järgige ohutus- ja kasutusjuhiseid, et vältida võimalikke riske ja ohte.
- Kui teil on pärast kasutusjuhendi lugemist küsimusi, võtke ühendust kvalifitseeritud isiku või edasimüüjaga.
- Hoidke kasutusjuhendit nii, et see oleks kõigile kasutajatele kättesaadav. Edastage see samuti, kui annate seadme teistele edasi.
- Ärge püüdke seadet mingil viisil muuta. Kasutage ainult tootja soovitatud lisaseadmeid ja tarvikuid.
- Kasutage seadet ainult kasutusjuhendi kohaselt. Väärkasutamine ja ebaõige käsitsemine ohustab inimesi ja vara.
- Ärge kasutage nähtavalt kahjustatud seadet. Enne iga kasutamist vaadake üle toitekaabli, pistiku, ühendatud voolikute ja korpuse seisukord. Vigased seadmed tuleb parandada või nõuetekohaselt kõrvaldada.
- Kui toitekaabel või seade on kahjustatud või tekib rike, eemaldage seade kohe vooluvõrgust.
- Laske seadet parandada ainult kvalifitseeritud spetsialistil. Ebaõiged parandused võivad põhjustada elektrilöögi või muid õnnetusi.
- Toote vooluvõrgust eemaldamiseks tõmmake pistikust, mitte toitekaablist.

- Ärge laske toitekaabli üle servade rippuda, ärge pigistage ega painutage seda.
- Kui pikenduskaabli kasutamine on vältimatu, kasutage selle seadme tehnilistele nõuetele vastavaid pikenduskaableid. Kui kasutate seadmeid õues, kasutage sobivat pikenduskaablit.

## **Pumba ohutushoiatused**

- Seade tuleb paigaldada kohalike riiklike elektripaigaldiste nõuete kohaselt.
- Pumba toide peab olema ühendatud rikkevoolukaitselüliti (RCD) kaudu, mille rakendumisvool ei tohi ületada 30 mA.
- Vältida laste juurdepääsu asjakohaste meetmetega.
- Ärge kasutage pumpa, kui inimesed on vees.
- Ärge käituge pumpa ilma veeta.
- Veenduge, et pump ei tõmbaks veest veeloomi (nt kalu).
- Pidage meeles, et määrdeainete leke võib põhjustada vedelike reostuse.
- Kaitske elektriühendusi ja kaableid kuumuse, õli, teravate servade ja niiskuse eest.
- Kaitske pumpa külmumise ja kuivkäituse eest.
- Vältige sööbivate vedelike ja abrasiivsete materjalide pumpamist.
- Ärge kasutage toitekaablit või ujuklüliti kaablit

seadme teiseldamiseks või kinnitamiseks. Kinnitage sukeldamiseks, tõstmiseks või kinnitamiseks käepidemele köis.

- Korrastage ja puhastage pumba välja- ja sisselaskeava vajaduse järgi.
- Ärge pumbake liiva või muid abrasiivseid aineid sisaldavaid vedelikke. See kiirendab pumba kulumist ja vähendab tootlikkust.
- Pump on mõeldud määrdunud vee jaoks, mille suspensioonilisandite läbimõõt ei ületa 25 mm.
- Pumba tohib kasutada alla 35 °C temperatuuriga vee pumpamiseks. Ärge kasutage seadet muude vedelike (süsivesinikud, õlid, söövitavad vedelikud, tuleohtlikud vedelikud jne) pumpamiseks.
- Ärge kasutage pumba külmumisohu korral.
- Seade ei ole mõeldud pidevaks kasutamiseks. Jätke see iga 1 tunni pikkuse käitamise järel 10 minutiks seisma.

### **Hädaolukord**

Tutvuge kasutusjuhendiga. Jätke ohutusjuhised meelde ja järgige neid täpselt. See aitab vältida riske ja ohte.

1. Kasutage seadet alati tähelepanelikult, et saaksite ohud varakult ära tunda ja nendega toime tulla. Kiire sekkumine võib ära hoida raskeid vigastusi ja varakahjustusi.

2. Tõrgete korral eemaldage vooluvõrgust. Enne uuesti kasutamist laske seade kvalifitseeritud spetsialistil üle vaadata ja vajaduse korral parandada.

### **Jääkriskid**

Isegi kui käitate seda seadet kõigi ohutusnõuete kohaselt, säilib võimalik vigastuste ja kahjustuste oht. Selle seadme struktuuri ja konstruktsiooni

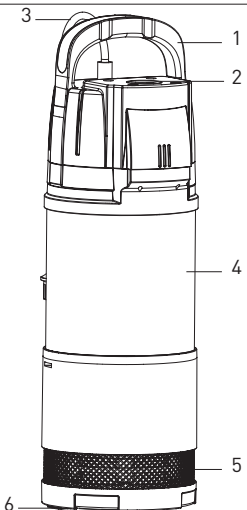
tõttu võivad tekkida järgmised ohud.

1. Vibratsioonist tulenevad tervisekahjustused, kui seadet kasutatakse pikka aega või kui seda ei käsitseta ega hooldata nõuetekohaselt.
2. Vigastused ja varakahjustused, mis on tingitud purunenud kinnitusedetailide tõttu või kasutusaegsest kokkupõrkest varjatud esemetega.
3. Paiskuvate esemete põhjustatud vigastuste ja varakahju oht.
4. Lõhkemisoht.



**HOIATUS!** See seade tekitab käitamise ajal elektromagnetvälja. See väli võib mõnel juhul segada aktiivsete või passiivsete implantaatide tööd. Raskete või surmavate vigastuste ohu vältimiseks soovitame meditsiiniliste implantaatidega isikutel võtta enne seadme kasutamist ühendust arsti ja meditsiiniseadme tootjaga.

### 1. Omadused/üksikasjad

1	Käepide	
2	Väljund	
3	Toitekaabel	
4	Pumba korpus	
5	Sisselaske filtersõel	
6	Põhi	

### 2. Tehnilised andmed

Mudel	DFM884 (LKS-1102SE)
Toitepinge/sagedus	220-240 V, 50 Hz

Võimsustarve	1100 W
Suurim vooluhulk	6000 l/h
Suurim tõstekõrgus	45 m
Suurim sukeldussügavus	12 m
Kõrgeim väljundrõhk	4,5 baari
Kõrgeim veetemperatuur	35 °C
Madalaim veetemperatuur	5 °C
Toitekaabel	H07RN-F 15 m
Kaitseklass	IPX8
Mass	10,6 kg
Mõõtmed	500 x 150 x 150 mm
Väljundliitmik	F40/49 (1"1/2)
Pumbatavate tahkete osakeste suurim läbimõõt	1 mm Puhas vesi

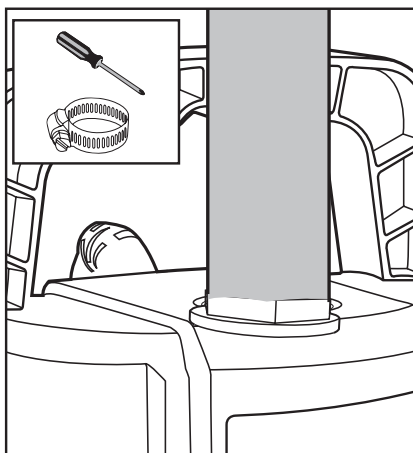
### 3. Kokkupanek



**HOIATUS!**

Enne mis tahes järgmise toimingu tegemist tagage, et pump oleks elektrivõrgust eemaldatud.

1. Keerake sobiv liitmik (ei kuulu komplekti) päripäeva keerates pumba korpuse väljundavasse.
2. Kinnitage voolik/toru/torustik kindlalt vooliku adapterile, kinnitage voolikuklambritega (ei kuulu komplekti), kui kasutate elastset voolikut või toru ja pingutage korralikult.



**MÄRKUS.** Suurim pumbatav vee vooluhulk on saavutatav ainult torustiku

suurima võimaliku läbimõõdu korral. Väiksema läbimõõduga voolikute või torude ühendamisel pumbatav veekogus väheneb.

#### 4. Ettevalmistus

Enne käivitamist vaadake üle järgmised asjaolud.

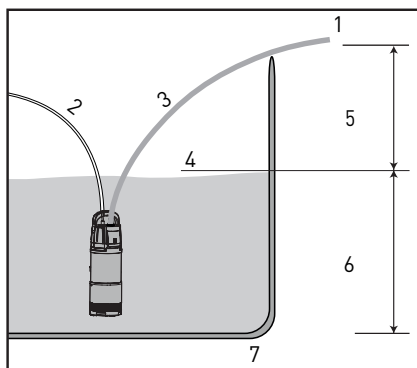


**HOIATUS!**

Ärge kandke, tõstke ega tõmmake pumpa toitekaablist. see kahjustab seadet.

1. Veenduge, et väljundvoolik oleks õigesti ühendatud.
2. Veenduge, et veenivoo ja pumpamiskõrguse vaheline kõrgus ei ületaks 15 m.

- 1 PUMPAMISKÕRGUS
- 2 TOITEKAABEL 15M
- 3 VÄLJUNDVOOLIK
- 4 VEENIVOO
- 5 SUURIM TÕSTEKÕRGUS 45 M
- 6 SUURIM SUKELDUSSÜGAVUS 12 M
- 7 VEEMAHUTI



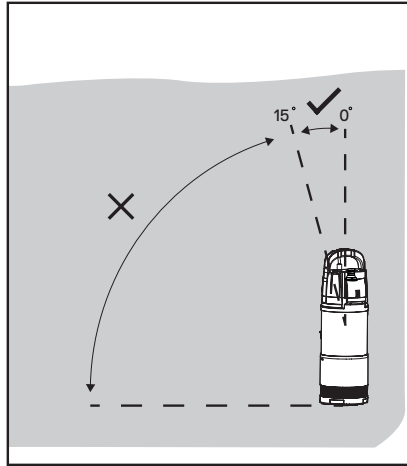
3. Tagage, et põhja all ei oleks mingeid takistusi, sealhulgas muda ega setteid.



**HOIATUS!**

See toode on mõeldud vee pumpamiseks koduses majapidamises. ärge kasutage seda söövitavate, abrasiivsete, plahvatusohtlike või ohtlike vedelike korral.

Tagage, et pump asetseks vertikaalselt.



## Käitus



**HOIATUS!**

Seda pumba peab käitama läbi rikkevoolukaitselüliti, mille rakendusvool ei ületa 30 mA.



**HOIATUS!**

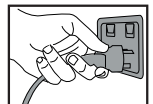
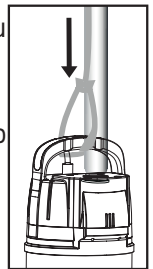
Enne pumba vette sukeldamist kerige toitekaabel lahti ja hoidke pistikut niisketest kohtadest eemal

1. Kinnitage köis pumba käepideme ümber ja laske pump kaevu või mahutisse vee sisse.

Veenduge, et see oleks vähemalt 50 cm sügavusel vee all ja selle põhi oleks vähemalt 1 m kõrgusel mahuti põhjast, et pump ei imeks sisse osakesi, mis võiksid pumba kahjustada.

2. Sisestage pistik pistikupessa. Pump käivitub 3 sekundit pärast elektritoite sisselülitamist.

3. Käitamise lõpetamiseks lülitage elektritoide välja.



## HOIATUS!

Selle pumbaga saab pumbata puhast vett, mille tahkete osakeste läbimõõt on kuni 1 mm.

## HOIATUS!

Pumpa ei tohi kasutada, kui inimesed on vees.

### **Automaatrežiim**

Pump töötab seni, kuni väljund on täielikult suletud (sulgedes kõik kraanid); seejärel rõhk tõuseb ja pump lülitub lekke või veetarbimise puudumisel automaatselt välja.

Rõhk püsib torudes kuni kraanide taasavamiseni või vähimagi veehulga tarbimiseni, seejärel käivitub pump uuesti.

Pange tähele, et pump käivitub uuesti ainult siis, kui rõhk langeb alla 2,5 baari: seetõttu on hädavajalik, et ükski väljundpunkt ei asuks pumbast kõrgemal kui 25 m, muidu takistab veesamba raskusest tulenev rõhk pumba uuesti käivitamist.

### **Kuivkäituse kaitse**

Pump lülitub automaatselt välja, kui pumbatav vesi puudub.

Pump teeb 24 tunni jooksul uuesti käivitamise katse tsüklitega 30 sekundit SEES / 5 sekundit VÄLJAS (4 korda).

Kui pump on uuesti vähemalt 120 mm sügavusele vette sukeldatud, on see jälle töövalmis.

## HOIATUS!

Kui pumba ei kasutata, siis tagage, et väljundava oleks täielikult suletud. osaliselt avatud väljundava korral võib pump kahjustada saada.

### **5. Hooldus**

See pump ei vaja erilist hooldust – soovitatav on siiski regulaarselt hinnata, kas mehhanismid on puhtad, setted või kristalliseerumine puuduvad ning pump on korralikult sukeldatud ja vähemalt 1 m kõrgusel kaevu või mahuti põhjast.

Kaablit ei tohi kunagi lühendada, lõigata ega pistikut eemaldada, isegi kui see tuleb läbi seina juhtida.

Garantii ei kehti enam elektritoite puudulikkuse ja

originaalelektriseadmete muutmise korral.

## 6. Tõrketuvastus

<b>Probleem</b>	<b>Võimalik põhjus</b>	<b>Lahendus</b>
Pump ei käivitu ega pumpa vett	<p>Pump ei ole elektrivõrku ühendatud</p> <p>Tiivik on kinni jäänud</p> <p>Termiline ülekoormuskaitse on rakendunud</p> <p>Mootor on kahjustatud</p> <p>Nõutav tõstekõrgus on pumba automaatseks käituseks liiga suur (üle 25 m)</p>	<p>Ühendage pump korras elektrivõrku</p> <p>Lülitage pump välja, vaadake üle ja kõrvaldage ummistus</p> <p>Oodake, kuni mootor jahtub ja käivitub automaatselt</p> <p>Võtke ühendust klienditeenindusega</p> <p>Paigaldage pump kaevu nii, et tõstekõrgus ei ületaks 25 m</p>
Mootor töötab, aga pump ei anna vett	<p>Pumba põhi on ummistunud/tõkestatud</p> <p>Voolikus/torus ja/või pumbas on õhktakistus (õhumullid)</p> <p>Väljundvoolik/toru (ei kuulu komplekti) on voltis või kahjustatud</p> <p>Tõstekõrgus on pumba võimsuse jaoks liiga suur</p> <p>Väljundtoru või liitmikud on pumba väljundava jaoks liiga väikese läbimõõduga</p>	<p>Puhastage pumba põhi kõikidest võõrkehadest ja prahist</p> <p>Tehke kogu õhu eemaldamiseks mitu käivitust või tõstke ja kallutage töötavat pumpa veidi mitmes suunas</p> <p>Eemaldage väljundvooliku/toru voldid</p> <p>Või vahetage voolik/toru välja Eemaldage pump vooluvõrgust ja veenduge, et väljundavas ega filtris ei oleks võõrkehaid</p> <p>Kui veenivoo seda võimaldab, tõstke pump kaevus veidi kõrgemale</p> <p>Suurendage liitmike ja väljundtorude läbimõõtu</p>
Pumba vooluhulk on väike	<p>Pumba põhi on osaliselt ummistunud/tõkestatud</p> <p>Voolik/toru on ummistunud</p> <p>Imitorustikus või liitmikes on õhuleke</p> <p>Vale kokkupanek põhjustab väljundtorustikus õhu- ja veelekkeid</p> <p>Väljundtoru või liitmikud on pumba väljundava jaoks liiga väikese läbimõõduga</p>	<p>Puhastage pumba põhi kõikidest võõrkehadest ja prahist</p> <p>Eemaldage takistused</p> <p>Veenduge, et imitorustiku liitmikes ei oleks õhulekkeid ja parandage või pingutage neid vajaduse järgi</p> <p>Väljundtorustik peab olema õige pikkusega ja kõiki koostjuhiseid peab olema järgitud</p> <p>Suurendage liitmike ja väljundtorude läbimõõtu</p>
Voolik ei püsi liitmiku küljes, kui vesi seda läbib	<p>Voolik/toru on veidi suurem kui liitmiku/adaptersi nimimõõtmed</p>	<p>Selle vältimiseks võib kanda vooliku/toru sisepinna liimi või mähkida liitmiku/adaptersi ümber teflonlinti või kasutada voolikuklambrit</p>

Pump töötab katkendlikult	Pumba põhi on ummistunud/ tõkestatud Toitepinge ei ole nõuetekohane Vedelik sisaldab üle 1 mm läbimõõduga osakesi Mootor on vigane või kahjustatud	Puhastage pumba põhi kõikidest võõrkehadedest ja prahist Ühendage pump 220...240 V pingega elektrivõrku Ärge kasutage pumpa üle 1 mm läbimõõduga osakesi sisaldava vedeliku jaoks Võtke ühendust klienditeenindusega
---------------------------	--	---



Läbikriipsutatud ratastel prügikonteineri tähendus

Ärge kõrvaldage elektriseadmeid koos olmejäätmetega, vaid viige need kogumispunkti.

Vajaduse korral pöörduge kogumiskeskuse leidmiseks kohaliku omavalitsuse poole.

Kui elektriseadmed viiakse prügimäele, võivad nendes olevad ohtlikud ained põhjavette lekkida ning toiduahelasse sattumisel teie tervist ja heaolu kahjustada.

Vanade seadmete asemel uute ostmise korral on edasimüüja kohustatud teie vana seadme töötlemiseks tasuta vastu võtma.

## Garantii

Me pöörame erilist tähelepanu kvaliteetsete materjalide valikule ja kasutame tootmistehnikaid, mis võimaldavad meil luua tänapäevase disaini ja vastupidavusega tooteid. Tootja annab sellele tootele (DFM884) tootmisvigade suhtes 2-aastase lisakuludeta garantii alates ostu- (kui on ostetud poest) või tarnekuupäevast (kui on ostetud veebist).

Selle garantii alusel nõude esitamiseks peate esitama ostutõendi (näiteks müügikviitungi, ostuarve või muu kehtiva õiguse kohaselt aktsepteeritava tõendi). Seetõttu hoidke ostutõendit kindlas kohas. Garantii kehtimiseks peab ostetud toode olema müüdud uuena, see ei kehti kasutatud või väljapanekutoodete kohta. Kui kohaldatavas õiguses ei ole sätestatud teisiti, kehtib garantii alusel väljastatud asendustoote garantii ainult esialgse garantiiaja lõpuni.

Garantii hõlmab toote rikkeid ja talitlushäireid, kui toodet kasutati ettenähtud otstarbel, kui see paigaldati, seda puhastati ja hooldati tingimustes ja kasutusjuhendis sisalduva teabe kohaselt ja tavapraktikat järgides, tingimusel et tavapraktika ei ole vastuolus kasutusjuhendiga. Garantii ei hõlma defekte ja kahjustusi, mis on põhjustatud tavalisest

kulumisest ja kahjustustest, mis võivad olla tingitud toote ebaõigest kasutamisest, vigasest paigaldamisest või kokkupanekust, hooletusest, õnnetusest, väärkasutamisest või muutmisest. Kui kohaldatavast õigusest ei tulene teisiti, ei kata garantii mingil juhul lisakulusid (saatmine, demonteerimise ja uuesti paigaldamise kulud, tööjõud jne) ega otseseid ja kaudseid kahjusid.

Garantii ei hõlma defekte ja kahjustusi, mis on põhjustatud või tulenevad järgmistest asjaoludest:

- Harilik kulumine;
- Ülekoormus, väärkasutus või hooletus;
- Muude kui volitatud esindaja tehtud parandustööd;
- Iluved;
- Võõrkehadest, ainetest või õnnetusjuhtumistest põhjustatud kahjustused;
- Juhuslik kahjustus või muudatus;
- Tootja suuniste eiramine;
- Kauba kasutamisel tekkinud kadu.

Kui toode on defektne, parandame või asendame selle mõistliku aja jooksul. Garantiikohased õigused kehtivad riigis, kus te selle toote ostsite. Garantiiga seotud päringud tuleb esitada kauplusele, kust te selle toote ostsite.

Garantii täiendab teie seadusest tulenevaid õigusi ega mõjuta neid.

EE

# EL-i nõuetele vastavuse deklaratsioon

**Meie**

**Onninen Oy**

**Address:** Satamakatu 3, FI-00160, Helsinki, Finland

**Telefon:** +358-10 53032

**kinnitame oma ainuvastutusel, et käesolev toode**

Seade: SUKELDATAV SURVEPUMP

Mark: OPAL

Mudel/tüüp: DFM884/LKS-1102SE

**vastab järgmiste direktiivide nõuetele:**

Masinadirektiiv (MD) 2006/42/EÜ

elektromagnetilise ühilduvuse direktiiv (EMC) 2014/30/EÜ

RoHS 2011/65/EU Annex II & (EU) 2015/863

**ja rakendatud on järgmisi harmoneeritud standardseid ja tehnilisi normdokumente:**

MD:

EN 60335-1:2012+A11+A13+A1+A14+A2+A15

EN IEC 60335-2-41:2021+A11

EN 62233:2008

EMC:

EN IEC 55014-1:2021

EN IEC 55014-2:2021

EN IEC 61000-3-2:2019+A1

EN 61000-3-3:2013+A1+A2

Helsinki, Finland, October 30<sup>th</sup>, 2024

Kesko Corporation Group Companies



Ville Särkilahti - General Manager

## LV

Lietošanas pamācība

Cienījamais klient!

Pateicamies par uzticēšanos mūsu izstrādājumiem!

Pirms izstrādājuma pirmās lietošanas, lūdzu, noteikti izlasiet šo lietošanas instrukciju! Šeit jūs atradīsiet informāciju par to, kā droši izmantot šo izstrādājumu un tam nodrošināt ilgu kalpošanas laiku. Pievērsiet uzmanību visām šajā dokumentā iekļautajām drošības norādēm!

## Drošības informācija

### Vispārīgi drošības brīdinājumi

- Šo ierīci nedrīkst lietot bērni. Bērni nedrīkst veikt tīrīšanu un lietotāja apkopi.
- Pirms montāžas, demontāžas vai tīrīšanas vienmēr atvienojiet ierīci no strāvas padeves.
- Ierīces var lietot personas ar ierobežotām fiziskajām, maņu vai garīgajām spējām vai ar nepietiekamu pieredzi un zināšanām, ja tās tiek uzraudzītas vai instruētas par ierīces lietošanu drošā veidā un ja tās saprot ar to saistītos apdraudējumus.
- Bērni nedrīkst spēlēties ar ierīci.
- Sūkņus bez norādes, ka tie ir aizsargāti pret sasalšanas iedarbību, nedrīkst atstāt ārā aukstā laikā.
- Uzmanību! Ja strāvas vads ir bojāts, tas jānomaina ražotājam, tā servisa pārstāvim vai līdzīgi kvalificētām personām, lai izvairītos no drošības apdraudējuma.
- Iepazīstieties ar ierīces darbību, regulēšanu un

funkcijām. Lai izvairītos no iespējamiem riskiem un apdraudējumiem, ievērojiet drošības un lietošanas instrukcijas.

- Ja pēc lietošanas instrukcijas izlasīšanas rodas jautājumi, sazinieties ar kvalificētu speciālistu vai izplatītāju.
- Uzglabāriet lietošanas instrukciju tā, lai tā būtu pieejama visiem lietotājiem. Nododiet to tālāk arī tad, kad dodat produktu citiem.
- Nemēģiniet nekādā veidā pārveidot izstrādājumu. Izmantojiet tikai ražotāja ieteiktos piederumus un papildierīces.
- Izmantojiet izstrādājumu tikai saskaņā ar šo lietošanas instrukciju. Nepareiza lietošana un nepareiza rīcība var radīt apdraudējumu cilvēkiem un īpašumam.
- Nelietojiet izstrādājumu, ja ir redzami bojājumi. Pirms katras lietošanas reizes pārbaudiet strāvas vadu, kontaktdakšu, pievienotās šļūtenes un apvalku. Bojāti izstrādājumi ir jālabo vai pienācīgi jāiznīcina.
- Nekavējoties atvienojiet izstrādājumu no strāvas padeves, ja ir bojāts vads vai izstrādājums, vai ja rodas bojājums.
- Nosūtiet izstrādājumu remontēt tikai kvalificētam speciālistam. Nepareizi veikts remonts var izraisīt elektriskās strāvas triecienu vai citus negadījumus.

- Lai atvienotu izstrādājumu no strāvas padeves, velciet kontaktdakšu, nevis strāvas vadu.
- Neļaujiet strāvas vadam karāties pāri malām, nespiediet to un nelieciet.
- Ja pagarinātāja izmantošana ir neizbēgama, izmantojiet pagarinātājus, kas atbilst šī izstrādājuma tehniskajām prasībām. Lietojot izstrādājumus ārpus telpām, izmantojiet pagarinātāju, kas piemērots lietošanai ārpus telpām.

## **Sūkņa drošības brīdinājumi**

- Iekārta jāuzstāda saskaņā ar nacionālajiem elektroinstalācijas noteikumiem.
- Sūknis jābaro, izmantojot atlikušās strāvas ierīci (RCD), kuras nominālā atlikusī darba strāva nepārsniedz 30 mA.
- Novērsiet bērnu piekļuvi ar atbilstošiem pasākumiem.
- Neizmantojiet sūkni, ja ūdenī atrodas cilvēki.
- Neiedarbiniet sūkni bez ūdens.
- Pārliedzinieties, ka sūknis neiesūc jūras iemītniekus (piemēram, zivis).
- Ņemiet vērā, ka šķidruma piesārņojums var rasties smērvielu noplūdes dēļ.
- Aizsargājiet elektriskos savienojumus un vadus no karstuma, eļļas, asām malām un mitruma.
- Pasargājiet sūkni no sala un darbības sausumā.

- Izvairieties no abrazīvu materiālu agresīvu šķidrumu cirkulācijas.
- Neizmantojiet strāvas vadu vai pludiņslēdža kabeli, lai transportētu vai nostiprinātu produktu. Piestipriniet virvi pie roktura, lai to varētu iegremdēt, pacelt vai nostiprināt.
- Ja nepieciešams, pārbaudiet un iztīriet sūkņa izplūdes un ieplūdes atveri.
- Nesūknējiet šķidrumus ar smiltīm vai citām abrazīvām vielām. Tas palielina nodilumu un samazina sūkņa jaudu.
- Sūknis ir paredzēts tīram ūdenim ar apturētu piemaisījumu diametru, kas nepārsniedz 25 mm.
- Sūknis jāizmanto ūdens sūknēšanai ar temperatūru zem 35 °C, neizmantojiet izstrādājumu citiem šķidrumiem (ogļūdeņražiem, eļļām, kodīgiem šķidrumiem, uzliesmojošiem šķidrumiem...).
- Nekad nelietojiet sūkni, ja pastāv sala draudi.
- Izstrādājums nav paredzēts ilgstošai lietošanai. Lūdzu, atpūtiniet to 10 minūtes pēc katras darbības stundas.

### **Ārkārtas situācija**

Iepazīstieties ar šī izstrādājuma lietošanu, izmantojot šo lietošanas instrukciju. Atcerieties drošības norādījumus un precīzi tos ievērojiet. Tas palīdzēs novērst riskus un apdraudējumus.

1. Lietojot šo produktu, vienmēr esiet modri, lai savlaicīgi varētu atpazīt un novērst riskus. Ātra iejaukšanās var novērst nopietnus ievainojumus un materiālos zaudējumus.

2. Ja rodas darbības traucējumi, atvienojiet no strāvas padeves. Pirms

atkārtotas ierīces lietošanas uzticiet tās pārbaudi kvalificētam speciālistam un, ja nepieciešams, to salabojiet.

### **Atlikušie riski**

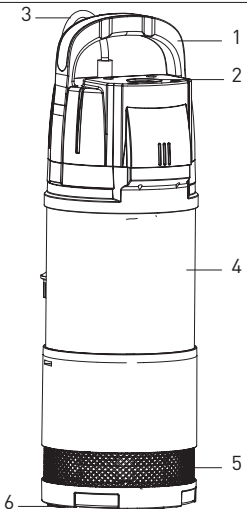
Pat tad, ja jūs lietojat šo izstrādājumu saskaņā ar visām drošības prasībām, saglabājas iespējamie traumu un bojājumu riski. Saistībā ar šī izstrādājuma konstrukciju un dizainu var rasties šādas briesmas:

1. Veselības apdraudējumi, ko izraisa vibrācijas emisija, ja izstrādājums tiek lietots ilgstoši vai netiek pienācīgi pārvaldīts un pienācīgi uzturēts.
2. Traumas un materiālie bojājumi, kas radušies no salauztiem stiprinājumiem vai pēkšņa slēptu priekšmetu trieciena lietošanas laikā.
3. Bīstamība gūt traumas un nodarīt materiālos zaudējumus, ko var radīt lidojoši priekšmeti.
4. Sprādziena risks.



**BRĪDINĀJUMS!** Šis izstrādājums darbības laikā rada elektromagnētisko lauku! Šis lauks noteiktos apstākļos var traucēt aktīviem vai pasīviem medicīniskiem implantiem! Lai samazinātu nopietnu vai letālu traumu risku, mēs iesakām personām ar medicīniskiem implantiem pirms šī izstrādājuma lietošanas konsultēties ar savu ārstu un medicīnisko implantu ražotāju!

## 1. Funkcijas / informācija

1	Rokturis	
2	Izplūdes atvere	
3	Barošanas vads	
4	Sūkņa korpuss	
5	Ieplūdes filtra siets	
6	Pamatne	

## 2. Tehniskie dati

Modelis	DFM884 (LKS-1102SE)
Tīkla spriegums / frekvence	220-240 V, 50 Hz
Enerģijas patēriņš	1100 W
Maksimālais plūsmas ātrums	6000 l/h
Kopējais maks. spiediens	45 m
Maks. iegremdēšanas dziļums	12 m
Maks. piegādes spiediens:	4,5 bāri
Maks. ūdens temperatūra	35 °C
Min. ūdens temperatūra	5 °C
Strāvas vads	H07RN-F 15 m
Aizsardzības klase	IPX8
Svars	10,6 kg
Izmēri	500 x 150 x 150 mm
Izvades savienojums	F40/49 (1"1/2)
Maks. pārsūknējamo cieto daļiņu izmērs.	1 mm Tīrs ūdens

## 3. Montāža

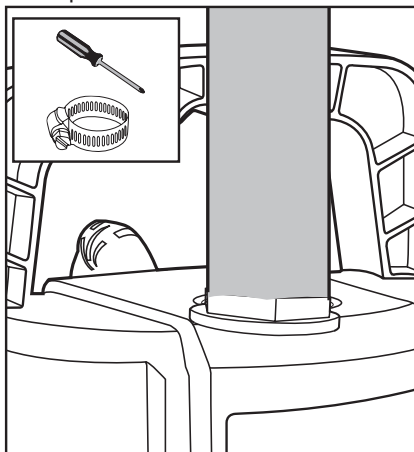


**BRĪDINĀJUMS!**

Pārliecinieties, ka sūknis ir atvienots no strāvas

padeves pirms veicat jebkuru no šādām montāžas darbībām.

1. Ieskrūvējiet piemērotu savienotāju (nav iekļauts komplektā) sūkņa korpusa izvadā, griežot pulksteņrādītāju kustības virzienā.
2. Droši piestipriniet šļūteni/cauruli/cauruļvadu pie šļūtenes adaptera, uzlieciet šļūtenes skavas (nav iekļautas komplektā), ja izmantojat elastīgu šļūteni vai cauruli, un labi pievilciet.



**UZMANĪBU!** Maksimālais sūknēšanas ātrums ir iespējams tikai ar lielāko iespējamo caurules diametru; ja tiek pievienotas mazākas šļūtenes vai caurules, sūknēšanas ātrums samazināsies.

#### 4. Sagatavošana

Pirms darba uzsākšanas veiciet dažas vienkāršas pārbaudes:

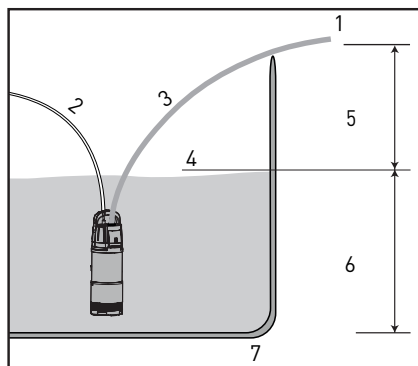


**BRĪDINĀJUMS!**

Nekad nenesiet, neceliet un nevelciet sūkni aiz strāvas vada. tas sabojās ierīci.

1. Pārliedzieties, ka izplūdes šļūtene ir pareizi savienota.
2. Pārliedzieties, ka augstums starp ūdens virsmu un augstāko punktu, uz kuru vēlaties novadīt ūdeni, nepārsniedz 15 m.

- 1 IZLEŠANAS PUNKTS
- 2 STRĀVAS VADS: 15M
- 3 IZEJAS ŠĻŪTENE
- 4 ŪDENS LĪMENIS
- 5 MAKS. AUGSTUMS 45 M
- 6 MAKS. IEGREMDEŠANAS DZILŪMS 12 M
- 7 ŪDENS TVERTNE



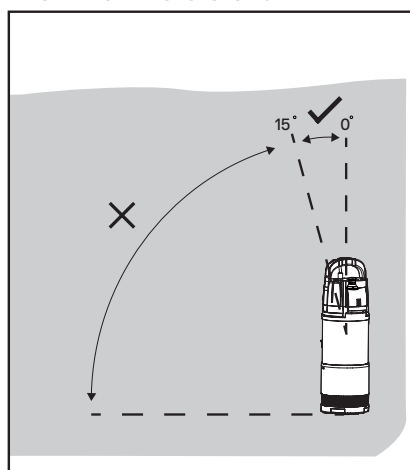
3. Pārliecinieties, ka sūkšanas pamatnei nav šķēršļu un tajā nav dubļu vai nogulšņu.



## BRĪDINĀJUMS!

Šis izstrādājums ir paredzēts ūdens sūknēšanai mājas apstākļos. nelietojiet to korozīviem, abrazīviem, sprādzienbīstamiem vai bīstamiem šķidrumiem.

Pārliecinieties, ka sūknis ir vertikālā stāvoklī.



**Darbība:**



## BRĪDINĀJUMS!

Šo sūkni jāizmanto ar atlikušo strāvu ar 30 mA vai

mazāku nominālo jaudu.

## BRĪDINĀJUMS!

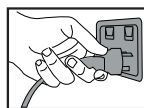
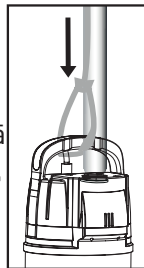
Pirms sūkņa iegremdēšanas ūdenī, attiniet strāvas vadu un pārlicinieties, ka kontaktdakša neatrodas jebkādās mitrās vietās

1. Piestipriniet virvi pie sūkņa roktura un nolaidiet to ūdenī akā vai cisternā

Pārlicinieties, ka tas ir iegremdēts vismaz 50 cm dziļumā un tā pamatne atrodas vismaz 1 m attālumā no darba vietas apakšas, lai nodrošinātu, ka sūknis nesusīc daļiņas un nebojā sūkni.

2. Ievietojiet kontaktdakšu elektrotīkla kontaktligzdā. Sūknis sāks darboties 3 sekundes pēc strāvas pieslēgšanas.

3. Lai pārtrauktu darbību, izslēdziet strāvas padevi.



## BRĪDINĀJUMS!

Jūsu sūknis spēj sūknēt tīru ūdeni ar necieto daļiņu izmēru līdz 1 mm diametrā.

## BRĪDINĀJUMS!

Sūknis nedrīkst izmantot, ja ūdenī atrodas cilvēki.

### **Automātiskais režīms**

Sūknis darbojas, līdz izplūde ir pilnībā noslēgta (aizverot visus krānus); pēc tam tas palielina spiedienu, līdz automātiski izslēdzas, ja nav noplūdes vai ūdens patēriņa.

Spiediens caurulēs tiek uzturēts līdz krānu atkārtotai atvēršanai vai līdz brīdim, kad tiek patērēts vismazākais ūdens piliens, un pēc tam tas atsākas no jauna.

Lūdzu, ņemiet vērā, ka sūknis ieslēdzas tikai tad, kad spiediens nokrītas zem 2,5 bāriem, tāpēc ir obligāti jānodrošina, lai izplūdes punkts neatrodas vairāk kā 25 m virs sūkņa, jo pretējā gadījumā ūdens kolonnas svara radītais spiediens neļaus atsākt sūkņa darbību.

## Aizsardzība pret darbību sausā režīmā

Sūknis izslēdzas automātiski, kad ūdens sūknēšanai vairs nav pieejams. Sūknis veiks ūdens atkārtotas iedarbināšanas testu ar 30 sekunžu ieslēgšanas / 5 sekunžu izslēgšanas cikliem (4x) 24 stundu laikā. Tiklīdz sūknis atkal tiks iegremdēts ūdenī vismaz 120 mm dziļumā, tas atkal būs gatavs darbam.



## BRĪDINĀJUMS!

Pārliecinieties, ka sūkņa izeja ir pilnībā aizvērta, kad sūknis netiek lietots, jo daļēji atvērta izeja var sabojāt sūkni.

### 5. Apkope

Šim sūknim nav nepieciešama īpaša apkope – tomēr ieteicams regulāri pārbaudīt mehānismu tīrību, nosēdumu vai inkrustāciju neesamību, pareizu iegremdēšanu un vismaz 1 m attālumu no akas vai tvertnes dibena.

Kabeli nedrīkst saīsināt, nogriezt vai izņemt kontaktdakšu, pat ja tas iet caur sienu.

Garantija vairs nav spēkā, ja rodas elektrības bojājums un tiek pārveidots oriģinālais elektriskais aprīkojums.

### 6. Traucējummeklēšana

Problēma	Iespējamais cēlonis	Risinājums
Sūknis neieslēdzas vai sūknē ūdeni	Sūknis nav pieslēgts strāvas padevei. Rotors ir iestrēdzis. Tiek aktivizēta termiskā pārslodzes aizsardzība. Motors ir bojāts. Paceļamais augstums ir pārāk liels, lai varētu regulēt sūkņa automatizāciju (vairāk nekā 25 m).	Pārbaudiet, vai sūknis ir pieslēgts elektrotīklam. Izslēdziet sūkni, pārbaudiet un iztīriet šķēršļus. Pagaidiet, līdz motors atdzisīs, un tas automātiski sāks darboties. Lūdzu, sazinieties ar klientu apkalpošanas nodaļu. Sūkni akā samontējiet tā, lai tā augstums nepārsniegtu 25 m.

<p>Sūknis nepieņēdā ūdeni, kad motors darbojas</p>	<p>Sūkšanas pamatne ir aizsprostota/aizsērējusi. Gaisa aizsprostojums šļūtenē/caurulē un/vai sūknī (gaisa burbuļi). Izplūdes šļūtene/caurule (nav iekļauta komplektā) ir saliekta vai bojāta. Pārsūknējamaais augstums ir pārāk liels, lai tas atbilstu sūkņa jaudai. Izplūdes caurules vai veidgabalu diametrs ir pārāk mazs sūkņa izvadam.</p>	<p>Notīriet sūkšanas pamatni no svešķermeņiem un gružiem. Veiciet vairākas palaišanas, lai no sūkņa izvadītu visu gaisu vai paceliet un nedaudz sasveriet sūkni, kamēr tas darbojas. Atvienojiet izplūdes šļūteni/cauruli. Vai arī nomainiet šļūteni/cauruli. Atvienojiet strāvas padevi un pārbaudiet, vai izplūdes atverē un filtrā nav svešķermeņu. Paaugstiniet sūkni akā, ja ūdens līmenis to atļauj. Palieliniet veidgabalu un izplūdes cauruļu diametru.</p>
<p>Sūkņa plūsmas ātrums tiek samazināts</p>	<p>Sūkšanas pamatne ir daļēji aizsprostota/aizsērējusi. Šļūtene/caurule ir aizsprostota. Gaisa noplūde iesūkšanas līnijā vai savienojumos. Nepareiza montāža izraisa gaisa un ūdens noplūdi izplūdes līnijās. Izplūdes caurules vai veidgabalu diametrs ir pārāk mazs sūkņa izvadam.</p>	<p>Notīriet sūkšanas pamatni no svešķermeņiem un gružiem. Iztīriet šķēršļus. Pārbaudiet, vai nav gaisa noplūdes sūkņēšanas līnijas savienojumos, un, ja tāda konstatēta, pievilciet vai salabojiet tos. Pārliecinieties, ka izplūdes līnijas ir pareizā garumā un ir ievēroti visi montāžas norādījumi. Palieliniet veidgabalu un izplūdes cauruļu diametru.</p>
<p>Ūdens plūsmas laikā šļūtene nepaliek uz savienotāja</p>	<p>Šļūtene/caurule ir nedaudz platāka par savienotāja/adaptera izmēriem.</p>	<p>Lai to novērstu, šļūtenes/caurules iekšpusē var izmantot līmi vai ap savienotāju/adapteru var piestiprināt teflona lenti, vai arī izmantot šļūtenes skavu.</p>
<p>Sūknis darbojas ar pārtraukumiem</p>	<p>Sūkšanas pamatne ir aizsprostota/aizsērējusi. Tiek izmantots nepareizs spriegums. Šķidrums satur daļiņas, kas biezākas par 1 mm. Motoram ir kļūme vai tas ir bojāts.</p>	<p>Notīriet sūkšanas pamatni no svešķermeņiem un gružiem. Pārliecinieties, ka sūknis ir pieslēgts 220–240 V barošanas avotam. Sūknis netiek izmantots, ja daļiņas ir biezākas par 1 mm. Lūdzu, sazinieties ar klientu apkalpošanas nodaļu.</p>



Pārsvītrotas atkritumu tvertnes nozīme:

Nelikvidējiet elektriskas ierīces kā nešķīrotus sadzīves atkritumus, nogādājiet tos atsevišķās savākšanas vietās.

Informāciju par pieejamajām savākšanas sistēmām varat noskaidrot savā

pašvaldībā.

Ja elektriskas ierīces likvidē atkritumu poligonos vai izgāztuvēs, gruntsūdeņos var noplūst bīstamas vielas, un tās var nokļūt pārtikas aprītē, pasliktinot jūsu veselību un labsajūtu.

Nomainot vecās ierīces pret jaunām, mazumtirgotājam ir juridisks pienākums vismaz bez maksas pieņemt atpakaļ jūsu veco ierīci utilizācijai.

## **Garantija**

Mēs īpaši rūpīgi izvēlamies augstas kvalitātes materiālus un izmantojam ražošanas paņēmienus, kas ļauj mums radīt izstrādājumus, kuros apvienots dizains un izturība. Šim izstrādājumam (DFM884) ir 2 gadu ražotāja garantija pret ražošanas defektiem, sākot no iegādes datuma (ja iegādāts veikalā) vai piegādes datuma (ja iegādāts tiešsaistē), bez papildu izmaksām.

Lai iesniegtu prasību saskaņā ar šo garantiju, jums ir jāuzrāda pirkumu apliecinošs dokuments (piemēram, pirkuma kvīts, pirkuma rēķins vai cits pierādījums, kas ir pieļaujams saskaņā ar piemērojamiem tiesību aktiem); lūdzu, glabājiet pirkumu apliecinājošu dokumentu drošā vietā. Lai piemērotu šo garantiju, iegādātajam izstrādājumam jābūt jaunam, tā neattiecas uz lietotiem vai izstādītiem izstrādājumiem. Ja vien piemērojamie tiesību akti nenosaka citādi, jebkuram saskaņā ar šo garantiju izsniegtajam rezerves izstrādājumam garantija tiek piešķirta tikai līdz sākotnējā garantijas termiņa beigām.

Šī garantija attiecas uz izstrādājuma kļūmēm un darbības traucējumiem, ja izstrādājums tika izmantots tam paredzētajam mērķim un ja tas tika uzstādīts, tīrīts, kopts un uzturēts saskaņā ar šajos noteikumos un nosacījumos, lietotāja rokasgrāmatā un standarta praksē iekļauto informāciju, ja vien standarta prakse nav pretrunā ar lietotāja rokasgrāmatu.

Šī garantija neattiecas uz defektiem un bojājumiem, kas radušies normāla nolietojuma vai bojājumu rezultātā, kas varētu būt radušies nepareizas lietošanas, nepareizas uzstādīšanas vai montāžas, nolaidības, nelaimes gadījuma, nepareizas lietošanas vai izstrādājuma pārveidošanas rezultātā. Ja vien piemērojamie tiesību akti nenosaka citādi, šī garantija nekādā gadījumā nesedz papildu izmaksas (transportēšanas, pārvietošanas, noņemšanas un atkārtotas uzstādīšanas, darbaspēka u. c. izmaksas), kā arī tiešos un netiešos zaudējumus.

Šī garantija neattiecas uz defektiem un bojājumiem, kas radušies no:

- Parasts nolietojuma;
- Pārslodzes, nepareizas lietošanas vai nolaidības;

- Remontdarbiem, ko mēģina veikt jebkura cita persona, kas nav pilnvarotais pārstāvis;
- Kosmētiskiem bojājumiem;
- Kaitējuma, ko izraisa svešķermeņi, nepiederošas vielas vai nelaimes gadījumi;
- Nejaušiem bojājumiem vai modifikācijām;
- Ražotāja norādījumu neievērošanas;
- Preču lietošanas zaudējuma.

Ja precei ir defekts, mēs saprātīgā termiņā to salabosim vai nomainīsim. Tiesības saskaņā ar šo garantiju ir īstenojamas valstī, kurā iegādājāties šo izstrādājumu. Ar garantiju saistīti jautājumi jāadresē veikalam, kurā iegādājāties šo izstrādājumu.

Garantija papildina un neietekmē jūsu likumā noteiktās tiesības.

LV

# Atbilstības deklarācija

Mēs,

**Onninen Oy**

**Adrese:** Satamakatu 3, FI-00160, Helsinki, Finland

**Tālrunis:** +358-10 53032

**uzņemoties pilnu atbildību, apliecinām, ka ražojums**

Aprīkojums: IEGREMDĒJAMAIS SPIEDIENA SŪKNIS

Zīmols: OPAL

MODELS /tips: DFM884/LKS-1102SE

**Atbilst**

Mašīnu direktīva (MD) 2006/42/EK,

Direktīvai 2014/30/EK par elektromagnētisko savietojamību

RoHS 2011/65/EU Annex II & (EU) 2015/863

**un šiem saskaņotajiem standartiem un tehniskajām specifikācijām:**

MD:

EN 60335-1:2012+A11+A13+A1+A14+A2+A15

EN IEC 60335-2-41:2021+A11

EN 62233:2008

EMC:

EN IEC 55014-1:2021

EN IEC 55014-2:2021

EN IEC 61000-3-2:2019+A1

EN 61000-3-3:2013+A1+A2

Helsinki, Finland, October 30<sup>th</sup>, 2024

Kesko Corporation Group Companies



Ville Särkilähti - General Manager

**LT**

Instrukcijų vadovas

Gerbiamas pirkėjas!

Dėkojame už pasitikėjimą mūsų gaminiais!

Prieš naudodami gaminį pirmą kartą, būtinai perskaitykite šias naudojimo instrukcijas! Čia pateikta informacija apie tai, kaip saugiai naudoti gaminį ir užtikrinti ilgą jo naudojimo laiką. Būtinai laikykitės visų šiame dokumente pateikiamų saugumo nurodymų!

## **Saugos informacija**

### **Bendrieji saugos įspėjimai**

- Šio prietaiso negali naudoti vaikai. Valymo ir priežiūros negali atlikti vaikai.
- Prieš montuodami, ardydami ar valydami prietaisą visada atjunkite jį nuo elektros tinklo.
- Prietaisus gali naudoti asmenys, kurių fiziniai, jutiminiai ar protiniai gebėjimai yra riboti arba kuriems trūksta patirties ir žinių, jei jie buvo prižiūrimi arba instruktuojami, kaip saugiai naudoti prietaisą, ir jei jie supranta su tuo susijusius pavojus.
- Neleiskite vaikams žaisti su prietaisu.
- Siurbliai, ant kurių nėra nuorodos, kad jie yra apsaugoti nuo užšalimo, neturi būti paliekami lauke šaltuoju metų laiku.
- Dėmesio! Jei maitinimo laidas pažeistas, jį turi pakeisti gamintojas, jo techninės priežiūros atstovas arba panašią kvalifikaciją turintis asmenys, kad būtų išvengta pavojaus saugai.
- Susipažinkite su veikimu, reguliavimu ir

funkcijomis. Laikykitės saugos ir naudojimo instrukcijų, kad išvengtumėte galimos rizikos ir pavojaus.

- Jei perskaitę naudojimo instrukciją turite klausimų, kreipkitės į kvalifikuotą specialistą arba prekybos atstovą.
- Instrukcijos vadovą laikykite taip, kad jis būtų prieinamas visiems naudotojams. Taip pat perduokite jį, kai duodate gaminį pasinaudoti kitiems asmenims.
- Jokiu būdu nebandykite modifikuoti gaminio. Naudokite tik gamintojo rekomenduojamus priedus ir papildomas detales.
- Gaminį naudokite tik vadovaudamiesi šia naudojimo instrukcija. Netinkamas naudojimas ir neteisingas valdymas kelia pavojų žmonėms ir turtui.
- Nenaudokite gaminio, jei matoma, kad gaminys pažeistas. Prieš kiekvieną naudojimą patikrinkite maitinimo laidą, kištuką, prijungtas žarnas ir korpusą. Sugedę gaminiai turi būti taisomi arba tinkamai utilizuojami.
- Jei laidas ar gaminys yra pažeistas arba įvyko gedimas, nedelsdami atjunkite gaminį nuo maitinimo šaltinio.
- Gaminio remontą gali atlikti tik kvalifikuotas specialistas. Netinkamai atliktas remontas gali sukelti elektros smūgį arba kitus nelaimingus

atsitikimus.

- Norėdami atjungti gaminį nuo maitinimo šaltinio, traukite kištuką, o ne maitinimo laidą.
- Neleiskite maitinimo laidui kaboti, jo nesuspauskite ir nelankstykite.
- Jei reikia naudoti ilgintuvą, naudokite šio gaminio techninius reikalavimus atitinkančius ilgintuvus. Jei gaminius naudojate lauke, naudokite lauko sąlygoms pritaikytą prailgintuvą.

### **Siurblio saugos įspėjimai**

- Prietaisas turi būti sumontuotas laikantis šalyje galiojančių elektros instaliacijos reglamentų.
- Siurblys turi būti maitinamas per likutinės srovės įtaisą (RCD), kurio vardinė likutinė darbinė srovė neviršija 30 mA.
- Tinkamomis priemonėmis neleiskite vaikams pasinaudoti prietaisu.
- Nenaudokite siurblio, kai vandenyje yra žmonių.
- Nenaudokite siurblio, kai nėra ką pumpuoti.
- Įsitikinkite, kad siurbliu nebus siurbiami jūros gyvūnai (pvz., žuvis).
- Turėkite omenyje, kad siurbiamas skystis gali būti užterštas dėl tepalų nuotėkio.
- Saugokite elektros jungtis ir laidus nuo karščio, alyvos, aštrių briaunų ir drėgmės.
- Saugokite siurblij nuo šalčio ir veikimo sausa eiga.

- Venkite abrazyvinių medžiagų turinčių skysčių pumpavimo.
- Nenaudokite maitinimo laido arba plūdinio jungiklio laido gaminiui transportuoti arba tvirtinti. Prie rankenos pritvirtinkite virvę, kad galėtumėte panardinti, pakelti ar pritvirtinti prietaisą.
- Kai reikia, patikrinkite ir išvalykite siurblio vandens išleidimo ir įleidimo angas.
- Nepumpuokite skysčių su smėliu ar kitomis abrazyvinėmis medžiagomis. Dėl to padidėja dėvėjimasis ir sumažėja siurblio našumas.
- Pompas skirtas špinamam vandeniui, kurio suspenduotų priemaišų skersmuo neviršija 25 mm.
- Siurblys turi būti naudojamas ne didesnės nei 35 °C temperatūros vandeniui pumpuoti, nenaudokite gaminio kitiems skysčiams (angliavandeniliams, alyvoms, koroziją sukeliantiems skysčiams, degiems skysčiams ir kt.).
- Niekada nenaudokite siurblio, kai yra vandens užšalimo rizika.
- Gaminys nėra skirtas nuolatiniam naudojimui. Po kiekvienos 1 valandos veikimo, 10-čiai minučių išjunkite siurblį.

### **Skubūs atvejai**

Susipažinkite su šio gaminio naudojimu vadovaudamiesi šia naudojimo instrukcija. Įsiminkite saugos nurodymus ir tiksliai jų laikykitės. Tai padės

išvengti rizikos ir pavojų.

1. Visada būkite budrūs naudodami šį gaminį, kad galėtumėte laiku atpažinti ir pašalinti riziką. Greita reakcija gali padėti išvengti rimtų sužalojimų ir žalos turtui.

2. Esant veikimo sutrikimams, atjunkite siurblių nuo maitinimo šaltinio. Prieš vėl pradėdami naudoti gaminį, leiskite jį patikrinti kvalifikuotam specialistui ir, jei reikia, pataisyti.

### **Liekamosios rizikos**

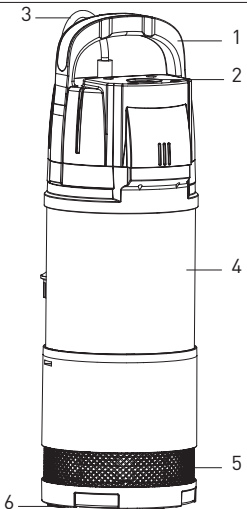
Net jei šį gaminį naudojate laikydamiesi visų saugos reikalavimų, išlieka galimas pavojus susižeisti ir sugadinti gaminį. Dėl šio gaminio konstrukcijos ir dizaino gali kilti šie pavojai:

1. sveikatos sutrikimai, atsirandantys dėl skleidžiamos vibracijos, jei gaminys naudojamas ilgą laiką arba nėra tinkamai valdomas ir prižiūrimas;
2. sužalojimai ir materialinė žala dėl sulūžusių papildomų detalių arba staigaus paslėptų daiktų smūgio naudojimo metu;
3. pavojus susižeisti ir sugadinti turtą dėl skraidančių objektų;
4. sprogo rizika.



**ĮSPĖJIMAS!** Šis gaminys veikimo metu sukuria elektromagnetinį lauką! Šis laukas tam tikromis aplinkybėmis gali sutrikdyti aktyvias arba pasyvias medicinos priemones! Siekiant sumažinti sunkių ar mirtinų sužalojimų riziką, rekomenduojame asmenims, turintiems medicininių priemonių, prieš naudojant šį gaminį pasikonsultuoti su gydytoju ir medicinos priemonių gamintoju!

## 1. Funkcijos / informacija

1	Rankena	
2	Išleidimo anga	
3	Maitinimo laidas	
4	Siurblio korpusas	
5	Įsiurbimo filtro ekranas	
6	Pagrindas	

## 2. Techniniai duomenys

Modelis	DFM884 (LKS-1102SE)
Tinklo įtampa / dažnis	220–240 V, 50 Hz
Energijos sąnaudos	1100 W
Didžiausias srautas	6000 l/h
Bendras didžiausias aukštis	45 m
Didžiausias panardinimo gylis	12 m
Maksimalus tiekimo slėgis:	4,5 baro
Didžiausia vandens temperatūra	35 °C
Mažiausia vandens temperatūra	5 °C
Maitinimo laidas	H07RN-F 15 m
Apsaugos klasė	IPX8
Svoris	10,6 kg
Matmenys	500 x 150 x 150 mm
Išleidimo jungtis	F40/49 (1" 1/2)
Didžiausias siurbiamų kietųjų dalelių dydis	1 mm Švarus vanduo

## 3. Surinkimas

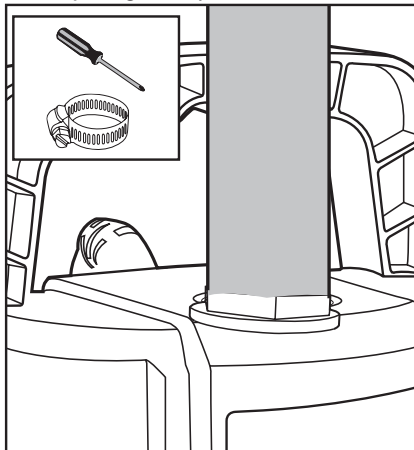


**ĮSPĖJIMAS!**

Įsitikinkite, kad siurblys yra atjungtas nuo

maitinimo šaltinio prieš atlikdami bet kurį iš toliau nurodytų surinkimo veiksmų.

1. Įsukite tinkamą jungtį (neįtraukta į komplektą) į siurblio korpuso lizdą sukdami pagal laikrodžio rodyklę.
2. Tvirtai pritvirtinkite žarną, vamzdį ir (arba) vamzdelį prie žarnos adapterio, uždėkite žarnos spaustukus (į komplektą neįeina), jei naudojate lanksčią žarną arba vamzdį, ir gerai priveržkite.



**PASTABA.** Didžiausią siurbimo greitį galima pasiekti tik esant didžiausiam įmanomam linijos skersmeniui; prijungus mažesnes žarnas ar vamzdžius, siurbimo greitis sumažės.

#### 4. Paruošimas

Prieš pradėdami darbą, atlikite keletą paprastų patikrinimų:

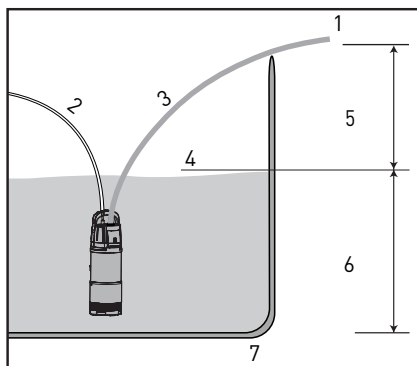


**ĮSPĖJIMAS.**

Niekada neneškite, nekelkite ir netraukite siurblio paėmę už maitinimo laido. Taip galite sugadinti įrenginį.

1. Įsitikinkite, kad išleidimo žarna prijungta teisingai.
2. Įsitikinkite, kad aukštis tarp vandens paviršiaus ir aukščiausio taško, į kurį norite tiekti vandenį, neviršija 15 m.

- 1 IŠLEIDIMO TAŠKAS
- 2 MAITINIMO LAIDAS: 15M
- 3 IŠLEIDIMO ŽARNA
- 4 VANDENS LYGIS
- 5 MAKS. AUKŠTIS 45 m
- 6 MAKS. PANARDINIMO GYLIS 12 m
- 7 VANDENS TALPYKLA

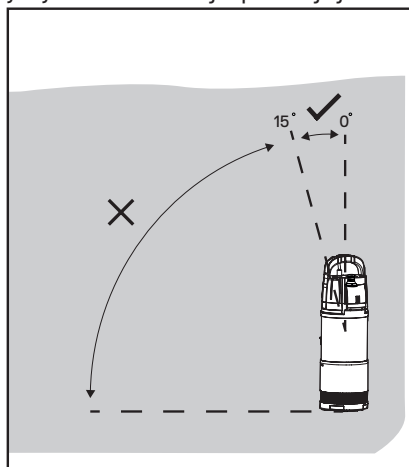


3. Įsitinkinkite, kad nėra jokių kliūčių ant siurbimo pagrindo ir kad ant jo nėra purvo ar nuosėdų.



**ĮSPĖJIMAS.**

Šis gaminytis skirtas vandeniui pumpuoti namų ūkyje. nenaudokite jo esdinantiems, abrazyviniams, sprogiems ar pavojingiems skysčiams pumpuoti. Įsitinkinkite, kad siurblys yra vertikaliajoje pozicijoje.



**Naudojimas:**



**ĮSPĖJIMAS.**

Šis siurblys privaloma naudoti su 30 ma arba mažesnės srovės šaltiniu.

## ĮSPĖJIMAS.

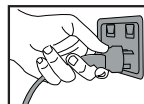
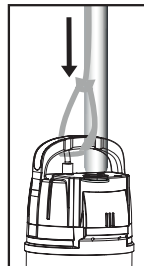
Prieš panardindami siurbį į vandenį, išvyniokite maitinimo laidą ir įsitikinkite, kad kištukas nesušlaps

1. Pritvirtinkite virvę prie siurblio rankenos ir nuleiskite ją į šulinio ar cisternos vandenį

Įsitikinkite, kad jis panardintas bent 50 cm ir kad jo pagrindas yra bent 1 m atstumu nuo darbo vietos dugno, kad nebūtų įsiurbta dalelių ir nebūtų pažeistas siurblys.

2. Įkiškite kištuką į elektros tinklo lizdą. Siurblys pradės veikti praėjus 3 sekundėms po maitinimo įjungimo.

3. Norėdami sustabdyti veikimą, išjunkite maitinimo šaltinį.



## ĮSPĖJIMAS.

Siurbliu galima pumpuoti švarų vandenį, kurio kietųjų dalelių skersmuo neviršija 1 mm.

## ĮSPĖJIMAS.

Siurblys negali būti naudojamas, kai vandenyje yra žmonių.

### **Automatinis režimas**

Siurblys veikia tol, kol visiškai uždaromas išleidimo vožtuvas (uždaromi visi čiaupai); tada slėgis didėja, kol automatiškai išsijungia, jei nėra nuotėkio ar vandens.

Slėgis vamzdžiuose bus palaikomas tol, kol vėl atsidarys čiaupai arba bus sunaudotas mažiausias likęs vandens kiekis, tada jis vėl įsijungs.

Atkreipkite dėmesį, kad siurblys vėl įsijungia tik tada, kai slėgis nukrenta žemiau 2,5 bary, todėl būtina, kad išleidimo taškas nebūtų aukščiau kaip 25 m virš siurblio, nes priešingu atveju dėl vandens stulpo svorio susidaręs slėgis neleis vėl įsijungti.

## Sausosios eigos apsauga

Siurblys išsijungs automatiškai, kai nebeliks vandens, kurį būtų galima pumpuoti.

Siurblys atlieka paleidimo iš naujo bandymą – 30 sekundžių įjungimo / 5 sekundžių išjungimo ciklais (4 kartus) per 24 valandas.

Kai tik siurblys vėl bus panardintas į vandenį bent 120 mm gylyje, jis vėl bus paruoštas darbui.



## ĮSPĖJIMAS.

Įsitikinkite, kad siurblio išleidimo anga visiškai uždaryta, kai siurblys nenaudojamas, nes iš dalies atidaryta anga gali sugadinti siurblį.

## 5. Techninė priežiūra

Šiam siurbliui nereikalinga jokia ypatinga priežiūra, bet vis dėlto patartina reguliariai tikrinti, ar mechanizmai švarūs, ar nėra nuosėdų ar purvo, ar siurblys tinkamai panardintas ir ar yra bent 1 m atstumu nuo šulinio ar rezervuaro dugno.

Kabelio negalima trumpinti, kirpti ar pašalinti jo kištuką, net jei jis eina per sieną.

Garantija nebegalioja, jei įvyko elektros gedimas ir buvo pakeista originali elektros įranga.

## 6. Trikčių šalinimas

Problema	Galima priežastis	Sprendimas
Siurblys neįsijungia arba nesiurbia vandens	Siurblys neprijungtas prie maitinimo šaltinio. Užstrigo sparnuotė. Įjungiamą šiluminę apsaugą nuo perkrovos. Variklis yra pažeistas. Aukštis, į kurį reikia pakelti vandenį, yra per didelis, kad būtų galima reguliuoti siurblio automatiką (daugiau kaip 25 m).	Patikrinkite, ar siurblys prijungtas prie elektros tinklo. Išjunkite siurblį, apžiūrėkite ir pašalinkite kliūtis. Palaukite, kol variklis atvės, ir jis automatiškai pradės veikti. Kreipkitės į klientų aptarnavimo skyrių. Iš naujo sumontuokite siurblį šulinyje taip, kad jis būtų mažesniame nei 25 m aukštyje.

<p>Siurblys netiekia vandens, kai variklis veikia</p>	<p>Įsiurbimo pagrindas yra užkimštas ir (arba) užblokuotas. Žarnoje / vamzdyje ir (arba) siurblyje susidaręs oras (oro burbuliukai). Išleidimo žarna (vamzdis) (į komplektą neįeina) yra susisukusi arba pažeista. Tiekimo aukštis yra per didelis siurblio pajėgumui. Siurblio išleidimo vamzdžio arba jungiamųjų detalių skersmuo yra per mažas siurblio ištiesimo angai.</p>	<p>Nuvalykite siurbimo pagrindą nuo pašalinių dalelių ir šiukšlių. Atlikite kelis paleidimus, kad pašalintumėte visą orą arba pakelkite ir šiek tiek pakreipkite siurbį, kol siurblys veikia. Atlaisvinkite išleidimo žarną ir (arba) vamzdį. Arba pakeiskite žarną ir (arba) vamzdį. Atjunkite maitinimo šaltinį ir patikrinkite, ar išleidimo angoje ir filtrė nėra pašalinių elementų. Pakelkite šulinyje esantį siurbį, jei tai leidžia vandens lygis. Padidinkite jungiamųjų detalių ir išleidimo vamzdžių skersmenį.</p>
<p>Sumažėjęs siurblio srautas</p>	<p>Įsiurbimo pagrindas yra iš dalies užkimštas ir (arba) užblokuotas. Žarna ir (arba) vamzdis yra užsikimšęs. Oro nuotėkis įsiurbimo linijoje arba jungtyse. Netinkamai sumontavus, išleidimo linijose atsiranda oro ir vandens nuotėkis. Siurblio išleidimo vamzdžio arba jungiamųjų detalių skersmuo yra per mažas siurblio ištiesimo angai.</p>	<p>Nuvalykite siurbimo pagrindą nuo pašalinių dalelių ir šiukšlių. Pašalinkite kliūtis. Patikrinkite, ar nėra oro nuotėkio per įsiurbimo vamzdžio jungtis, ir jas priveržkite arba pataisykite. Įsitikinkite, kad išleidimo linijos yra tinkamo ilgio ir laikomasi visų surinkimo instrukcijų. padidinkite jungiamųjų detalių ir išleidimo vamzdžių skersmenį.</p>
<p>Vandeniui tekant per žarną, žarna neužsilaiko ant jungties</p>	<p>Žarna ir (arba) vamzdis yra šiek tiek platesnis už jungties ir (arba) adapterio matmenis.</p>	<p>Kad taip neatsitiktų, žarnos (vamzdelio) viduje galima naudoti klijus arba jungtį (adapterį) apjuosti teflono juosta, arba naudoti žarnos spaustuką.</p>
<p>Siurblys veikia pertraukiamai</p>	<p>Įsiurbimo pagrindas yra užkimštas ir (arba) užblokuotas. Naudojama netinkama įtampa. Skystyje yra storesnių nei 1 mm dalelių. Variklis yra sugedęs arba pažeistas.</p>	<p>Nuvalykite siurbimo pagrindą nuo pašalinių dalelių ir šiukšlių. Įsitikinkite, kad siurblys prijungtas prie 220–240 V maitinimo šaltinio. siurblys nenaudojamas, kai vandens dalelės yra storesnės nei 1 mm. Kreipkitės į klientų aptarnavimo skyrių.</p>



Perbrauktos šiukšliadėžės su ratukais reikšmė:  
elektriniai prietaisai negali būti utilizuojami kaip nerūšiuotos komunalinės atliekos. Jūs reikia nugabenti į atskirą surinkimo punktą.

Kreipkitės į vietos valdžios institucijas, kad gautumėte informacijos apie galimus atliekų surinkimo punktus.

Jei elektros prietaisai yra išmetami į sąvartynus ar šiukšlynus, pavojingos medžiagos gali patekti į požeminį vandenį ir pakliūti į maisto grandinę, taip pakenkdamos jūsų sveikatai ir gerovei.

Keičiant senus prietaisus naujais, mažmenininkas yra teisiškai įgaliojtas bent jau nemokamai priimti jūsų seną prietaisą utilizavimui.

## **GARANTIJA**

Ypač kruopščiai renkamės aukštos kokybės medžiagas ir naudojame gamybos būdus, kurie suteikia mums galimybę kurti gaminius, pasižyminčius dizainu ir ilgaamžiškumu. Šiam gaminiui (DFM884) gamintojas suteikia 2 metų garantiją nuo įsigijimo (jei pirktas parduotuvėje) arba pristatymo (jei pirktas internetu) dienos be jokių papildomų išlaidų. Norėdami pareikšti pretenziją pagal šią garantiją, turite pateikti įsigijimo įrodymą (pvz., pirkimo kvitą, pirkimo sąskaitą faktūrą arba kitą pagal galiojančius įstatymus priimtina įrodymą). Kad ši garantija būtų taikoma, įsigytas gaminytis turi būti naujas, ji netaikoma naudotiems ar gaminiams, kurie buvo eksponuojami. Jei galiojančiuose teisės aktuose nenumatyta kitaip, bet kokiam pagal šią garantiją išduotam pakaitiniam gaminiui garantija suteikiama tik iki pirminės garantijos laikotarpio pabaigos. Ši garantija apima gaminio gedimus ir sutrikimus, jei gaminytis buvo naudojamas pagal paskirtį ir buvo montuojamas, valomas, prižiūrimas ir remontuojamas laikantis šiose sąlygose, naudotojo vadove pateiktos informacijos bei taikant standartinę naudojimo praktiką, jei standartinė praktika neprieštarauja naudotojo vadovui.

Ši garantija neapima defektų ir pažeidimų, atsiradusių dėl įprasto nusidėvėjimo ar pažeidimų, kurie gali atsirasti dėl netinkamo naudojimo, netinkamo montavimo ar surinkimo, aplaidumo, nelaimingo atsitikimo, neteisingo naudojimo ar gaminio modifikavimo. Jei galiojančiuose teisės aktuose nenumatyta kitaip, ši garantija jokia būdu neapima papildomų išlaidų (siuntimo, pervežimo, išmontavimo ir pakartotinio sumontavimo, darbo ir kt.), taip pat tiesioginės ir netiesioginės žalos.

Ši garantija netaikoma defektams ir žalai, atsiradusiems dėl:

- Įprasto nusidėvėjimo;
- Perkrovos, netinkamo naudojimo arba aplaidumo;
- Remonto, kurį atliko ne įgaliojasis atstovas;
- Kosmetinė žalos;
- Žalos sukeltos pašalinių objektų, medžiagų arba nelaimingų atsitikimų;
- Atsitiktinio sugadinimo arba modifikavimo;

- Gamintojo nurodymų nesilaikymo;
  - Nebegalėjimo naudotis prekėmis.
- Jei gaminys yra sugedęs, per pagrįstą laiką jį pataisysime arba pakeisime. Teisės pagal šią garantiją įgyvendinamos toje šalyje, kurioje įsigijote šį gaminį. Su garantija susijusias užklaudas reikėtų adresuoti parduotuvei, kurioje įsigijote šį gaminį. Garantija papildo jūsų įstatymuose numatytas teises ir jų nepažeidžia.

LT

# ES atitikties deklaracija

Mes,

**Onninen Oy**

**Adresas:** Satamakatu 3, FI-00160, Helsinki, Finland

**Telefonas:** +358-10 53032

**atsakingai pareiškiame, kad toliau nurodytas gaminys**

Įranga: PANARDINAMASIS SLĖGINIS SIURBLYS

Markės pavadinimas OPAL

Modelis / tipas: DFM884/LKS-1102SE

**Atitinka**

Mašinų direktyva (MD) 2006/42/EB,

Elektromagnetinio suderinamumo direktyvą (EMC) 2014/30/EB

RoHS 2011/65/EU Annex II & (EU) 2015/863

**bei toliau nurodytus darniuosius standartus ir technines specifikacijas:**

MD:

EN 60335-1:2012+A11+A13+A1+A14+A2+A15

EN IEC 60335-2-41:2021+A11

EN 62233:2008

EMC:

EN IEC 55014-1:2021

EN IEC 55014-2:2021

EN IEC 61000-3-2:2019+A1

EN 61000-3-3:2013+A1+A2

Helsinki, Finland, October 30<sup>th</sup>, 2024

Kesko Corporation Group Companies



Ville Särkilahti - General Manager

Manual instructions material /  
Ohjekirjan materiaali /  
Instruktionsmaterial /  
Håndbok instruksjonsmateriale /  
Juhendmaterjal /  
Lietošanas norādījumi /  
Naudojimo vadovo medžiaga



Manufactured for • Valmistuttaja • Tillverkad för • Produsert for • Toodetud  
• Ražošanas pasūtītājs • Kieno užsakymu pagaminta • Wyprodukowano dla  
• Onninen Oy, Työpajankatu 12, FI- 00580 Helsinki. Made in China.