

# OPAL

## User Manual

### High Pressure Pump DFM883



English	2 - 13
Finnish	14 - 25
Swedish	26 - 38
Norwegian	39 - 50
Estonian	51 - 62
Latvian	63 - 74
Lithuanian	75 - 87

## **GB**

Instruction Manual

Dear customer,

Thank you for placing your trust in our product!

Before using the product for the first time, please make sure you read these operating instructions! Here you will find information about how to use the product safely and ensure its long service life. You should pay attention to all of the safety instructions in this document!

### **General safety warnings**

- This appliance shall not be used by children. Cleaning and user maintenance shall not be carried out by children.
- Always disconnect the appliance from the supply before assembling, disassembling or cleaning.
- Appliances can be used by persons with reduced physical, sensory or mental capabilities or lack of experience and knowledge if they have been given supervision or instruction concerning use of the appliance in a safe way and if they understand the hazards involved.
- Children shall not play with the appliance.
- Pumps without indication that they are protected against the effect of freezing shall not be left outside during freezing weather conditions.
- Attention! If the power cord is damaged, it must be replaced by the manufacturer, its service agent or similarly qualified persons in order to avoid a safety hazard.
- Familiarise yourself with the operation, adjustments and functions. Follow the safety and

operation instructions in order to avoid possible risks and hazards.

- Contact a qualified person or your dealer if you have questions after reading the instruction manual.
- Store the instruction manual so that it is accessible for all users. Also relay it when giving the product to others.
- Do not attempt to modify the product in any way. Only use attachments and accessories recommended by the manufacturer.
- Use the product only in accordance with this instruction manual. Misuse and incorrect handling will lead to hazards for people and property.
- Do not use the product if damage is visible. Check the power cord, plug, attached hoses and casing before each use. Faulty products must be repaired or properly disposed of.
- Disconnect the product from the power supply immediately if the cord or the product is damaged or if a breakdown occurs.
- Have the product repaired only by a qualified specialist. Improper repairs can lead to electric shocks or other accidents.
- Pull the plug rather than the power cord to disconnect the product from the power supply.
- Do not let the power cord hang over edges, do

not squeeze or bend it.

- Use extensions cords that correspond with the technical requirements of this product if using an extension cord is unavoidable. When operating products outdoors, use an extension cord suitable for outdoor use.

## **Pump safety warnings**

- The appliance shall be installed in accordance with national wiring regulations.
- The pump is to be supplied through a residual current device (RCD) having a rated residual operating current not exceeding 30 mA.
- Prevent access of children with appropriate measures.
- Do not use the pump when people are in the water.
- Do not operate the pump without water.
- Make sure that no marine animals (e.g. fish) are extracted by the pump.
- Have in mind that pollution of the liquid could occur due to leakage of lubricants.
- Protect the electrical connections and cords from heat, oil, sharp edges and moisture.
- Protect the pump from frost and running dry.
- Avoid circulation of aggressive fluids of abrasive materials.
- Do not use the power cord or the float switch

cable to transport or secure the produce. Fix a rope to the handle for submerging, lifting or securing.

- Check and clean the outlet and the inlet of the pump when needed.
- Do not pump liquids with sand or other abrasive substances. It causes increased wear and reduces the pumps output.
- The pump is designed for dirty water with a diameter of suspended impurities not exceeding 25 mm.
- The pump should be used for pumping water temperature below 35°C, do not use the product for other liquids (hydrocarbons, oils, corrosive liquids, flammable liquids...).
- Never use the pump when there is the danger of frost occurring.
- The product is not designed for continuous use. Please rest it for 10 minutes after each 1 hour of running.

### **Emergency**

Familiarise yourself with the use of this product by means of this instruction manual. Memorise the safety directions and follow them to the letter. This will help to prevent risks and hazards.

1. Always be alert when using this product, so that you can recognise and handle risks early. Fast intervention can prevent serious injury and damage to property.
2. Disconnect from the power supply if there are malfunctions. Have the product checked by a qualified professional and repaired, if necessary, before you operate it again.

## Residual risks

Even if you are operating this product in accordance with all the safety requirements, potential risks of injury and damage remain. The following dangers can arise in connection with the structure and design of this product:

1. Health defects resulting from vibration emission if the product is being used over long periods of time or not adequately managed and properly maintained.
2. Injuries and damage to property due to broken attachments or the sudden impact of hidden objects during use.
3. Danger of injury and property damage caused by flying objects.
4. Risk of bursting.



**WARNING!** This product produces an electromagnetic field during operation! This field may under some circumstances interfere with active or passive medical implants! To reduce the risk of serious or fatal injury, we recommend persons with medical implants to consult their doctor and the medical implant manufacturer before operating this product!

## **WARNING:**

- 1). The electric pump is allowed to use in the basement and souterrain, only if all safety protections conform to the regulations.
- 2). You can move the electric pump with the carrying handle, and you can also tie the rope on the carrying handle to move it when using in narrow space like well.
- 3). Never allowed to run under no-load condition.
- 4). If the electric pump is damaged or changed

maliciously, producers can't ensure that the electric pump could work normally.

5). There is an exhaust on the contact surface of the pump body and head cover. It's a normal phenomenon for an electric pump that a little water leaks from the hole during normal working.

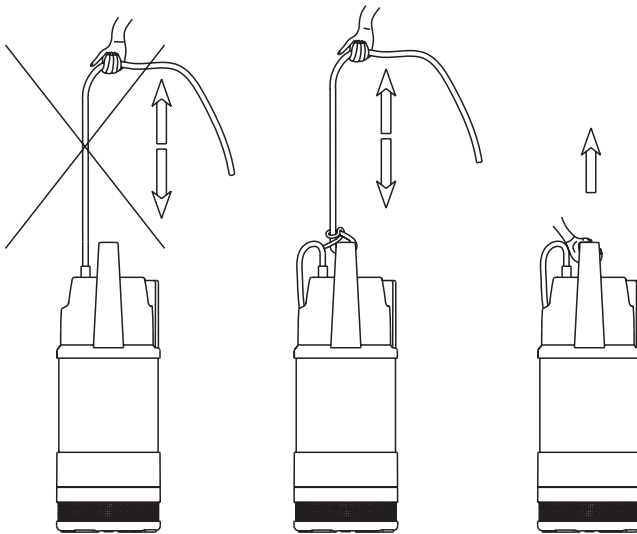
6). The water quality might change due to the non-toxic oil in the sealing device. We can't avoid the leakage of the electric pump no matter how pure the water is.

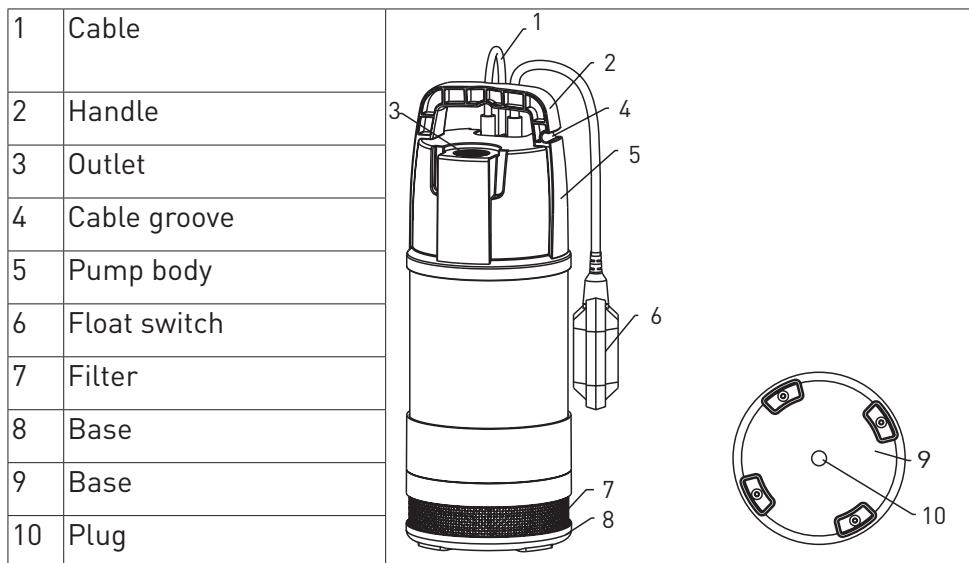
Attention! All operation must be done according to the safe operation regulations.



Don't take any action on the electric pump unless the power is cut off.

The pump must be grounding to avoid electric leakage, and provided with a leakage protector of which the protection current is less than 30mA.





## Application

The series of multistage submersible pumps have been designed to pump impure water which contains no fiber. It's usually used at home by manual or automatic way, and it's also used to pump the liquid in the sewer, rainwater, the leakage from groove and so on. As its compact shape and well operability, the electric pump could be used for gardening or in other normal condition as a portable suction pump.

Never use this kind of electric pump in a swimming pool, a pond or a tank where is quite crowded or somewhere exists dangerous hydrocarbon (petrol, diesel, fuel oil, solvent and so on) which might cause accident.

## Technical parameters

Supply Power	220-240V
Input Power	1100 W
Max. Flow	7000 l/h
Max. Head	42 m
Protection Class	F
Protection Class	IPX8
Ambient Temperature	-5°C to 40°C
Fluid Temperature	0°C to 35°C
Max. Immersion Depth	7 m
Max. Dia. Of Particle	1 mm
Outlet	G1

### **Function of the switch**

The float switch starts and stops the pump automatically, the electric pump will be turned on when the water level rises to a certain position to turn on the float switch, and when the fall of the water level causes the float switch to be turned off, the electric pump will be turned off automatically.

There is a cable groove on the side of the pump, which users can be used to adjust the length of the float power cable.

### **Function of the plug**

Take the plug down from the base to draw off the water.

### **Attention**

1. The electric pump shouldn't be turned on more than 20 times per minute in order to avoid the electric pump to be started repeatedly, which might reduce the service life of the electric pump.
2. The risk of frost: if the electric pump need to be placed under 0°C, it's necessary to ensure that there is no liquid left in the pump in order to avoid the part of the electric pump to be damaged.
3. The electric pump need to be washed by clean water after used under a condition of sediment, in order to avoid blocking or performance reduction caused by the sediment.

### **Installation**

- 1). If the electric pump works under a condition of a lot of impurity, it's suggested to place the electric pump at a certain height so as not to make the inlet of the pump blocked.
- 2). It's the best working state when the electric pump is completely under water.
- 3). It's necessary to ensure that the electric pump works at the place where the float switch can move freely.

### **Connection of electric parts**

- 1). The connection and protection of electric parts must be done according

to the native regulations, and there is working voltage signed on the nameplate, make sure that the power supply is conformed with the electromotor.

- 2). When the electric pump works at a place far from power source, the electric pump should work with bigger power cable, or the electric pump couldn't work in the normal state due to the voltage drop.
- 3). If the electric pump is used outdoors, the extension cable of the pump must be changed into the rubber cable for outdoors.
- 4). The thermal protector is provided for the electric pump. If the electric pump shuts down automatically due to the overload, the pump will start automatically after the electromotor cools down as long as the power source hasn't been cut off.
- 5). Never hurt or clip the power cable. Once the power cable is damaged or broken by accident, the electric pump should not be used again, and you should look for the person who is professional or authorized to repair or change it.
- 6). Attention: the immersion depth of the electric pump is limited by the length of the power cable.
- 7). Never use the electric pump when people are in the water. Make sure that the power plugs and socket are dry.

### **Maintenance and cleaning**

The electric pump doesn't need any professional maintenance when working normally, but the removal must be done by the professional. Anyway, all repair and maintenance must be done after the power has been cut off.

Make sure that the inlet at the bottom of the pump has been well installed when turning on the pump in order to avoid the mechanical accident.

#### **Repair and replacement**

If the production breaks down and needs repair, please send it to the authorized repair center. The manufacturer won't be responsible for any results caused by the repair without authorization.

### **Troubleshooting**

FAULT	POSSIBLE CAUSE	REMEDY
The pump works but it does not deliver water.	A. The suction grid is clogged B. The impeller is clogged or damaged. C. The required head is higher than the pump characteristic.	A. Clean the filter. B. Remove the block or change the impeller.

The pump doesn't start or shut down according to the change of water level.	The float switch can't swing freely.	Make sure that the float switch swings freely, and adjust the length of the cable by the cable groove.
The flow rate is inadequate.	A. The suction grid is clogged. B. The impeller or the discharging tube is clogged.	Clean the block.
The pump stops with the float switch on after working for a short time.	The pump stops automatically for the thermal protector turned on.	Check whether is the temperature or the density of the liquid too high to make the electromotor overheating.
The pump doesn't work.	A. Check the float switch swings freely. B. Check the connection of power plug and socket is well.	Make sure that the float switch swings freely, and adjust the length of the cable by the cable groove.



Meaning of crossed –out wheeled dustbin:

Do not dispose of electrical appliances as unsorted municipal waste, use separate collection facilities.

Contact you local government for information regarding the collection systems available.

If electrical appliances are disposed of in landfills or dumps, hazardous substances can leak into the groundwater and get into the food chain, damaging your health and well-being.

When replacing old appliances with new ones, the retailer is legally obligated to take back your old appliance for disposals at least free of charge.

## Guarantee

We take special care to select high quality materials and use manufacturing

techniques that allow us to create products incorporating design and durability. This product (DFM883) has a manufacturer's guarantee of 2 years against manufacturing defects, from the date of purchase (if bought

in store) or date of delivery (if bought online), at no additional cost.

To make a claim under this guarantee, you must present your proof of purchase (such as a sales receipt, purchase invoice or other evidence admissible under applicable law), please keep your proof of purchase in a safe place. For this guarantee to apply, the product you purchased must be new, it will not apply to second hand or display products. Unless stated otherwise by applicable law, any replacement product issued under this guarantee will only be guaranteed until expiry of the original guarantee period.

This guarantee covers product failures and malfunctions provided the product was used for the purpose for which it is intended and subject to installation, cleaning, care and maintenance in accordance with the information contained in these terms and conditions, in the user manual and standard practice, provided that standard practice does not conflict with the user manual.

This guarantee does not cover defects and damage caused by normal wear and tear or damage that could be the result of improper use, faulty installation or assembly, neglect, accident, misuse, or modification of the product. Unless stated otherwise by applicable law, this guarantee will not cover, in any case, ancillary costs (shipping, movement, costs of uninstalling and reinstalling, labour etc), or direct and indirect damage. This guarantee does not cover defects and damage caused by or resulting from:

- Normal wear and tear
- Overload, misuse or neglect
- Repairs attempted by anyone other than an authorised agent
- Cosmetic damage
- Damage caused by foreign objects, substances or accidents
- Accidental damage or modification
- Failure to follow manufacturer's guidelines
- Loss of use of the goods

If the product is defective, we will, within a reasonable time, repair or replace it. Rights under this guarantee are enforceable in the country in which you purchased this product. Guarantee related queries should be addressed to the store you purchased this product from.

The guarantee is in addition to and does not affect your statutory rights.

GB

# EU Declaration of Conformity

We,

**Onninen Oy**

**Address:** Satamakatu 3, FI-00160, Helsinki, Finland

**Telephone:** +358-10 53032

**declare under our sole responsibility that the following product**

Equipment: High Pressure Pump

Brand name: OPAL

Model/type: DFM883/LKS-1100S

**is in conformity with the**

Machinery Directive (MD) 2006/42/EC

Electromagnetic Compatibility Directive (EMC) 2014/30/EU

RoHS 2011/65/EU Annex II & (EU) 2015/863

**and the following harmonized standards and technical specifications have been applied:**

MD:

EN 60335-1:2012+A11+A13+A1+A14+A2+A15

EN IEC 60335-2-41:2021+A11

EN 62233:2008

EMC:

EN IEC 55014-1:2021

EN IEC 55014-2:2021

EN IEC 61000-3-2:2019+A1

EN 61000-3-3:2013+A1+A2

Helsinki, Finland, October 30<sup>th</sup>, 2024

Kesko Corporation Group Companies



Ville Särkiähti - General Manager

## FI

Käyttöohje

Hyvä asiakas

Kiitos, että valitsit tuotteemme!

Varmista, että olet lukenut nämä käyttöohjeet ennen laitteen käyttöönottoa.

Ohjeista löytyy tietoa laitteen turvallisesta käytöstä sekä siitä, kuinka laitteen pitkä käyttöikä voidaan varmistaa. Erityistä huomiota on kiinnitettävä annettuihin turvallisuusohjeisiin.

## Turvallisuustietoja

### Yleiset turvavaroitukset

- Lapset eivät saa käyttää tätä laitetta. Lapset eivät saa tehdä puhdistusta ja käyttäjähuoltoa.
- Irrota laite aina sähköverkosta ennen laitteen kokoamista, purkamista tai puhdistamista.
- Laitteita voivat käyttää henkilöt, joiden fyysiset, sensoriset tai henkiset kyvyt ovat heikentyneet tai joilla ei ole riittävästi kokemusta tai tietoa, jos heitä valvotaan tai heitä on opastettu laitteen turvallisessa käytössä, ja jos he ymmärtävät siihen liittyvät vaarat.
- Älä anna lasten leikkiä laitteella.
- Pumppuja, joissa ei ole merkintää suojauksesta jäätymisen vaikutuksilta, ei saa jättää ulos pakkasella.
- Huomio! Valmistajan, valtuutetun huoltoedustajan tai muun pätevän henkilön on vaihdettava vaurioitunut virtajohto, jotta turvallisuusriski voidaan välttää.
- Tutustu laitteen toimintaan, säätöihin ja

toimintoihin. Noudata turvallisuus- ja käyttöohjeita mahdollisten riskien ja vaarojen välttämiseksi.

- Ota yhteyttä pätevään henkilöön tai jälleenmyyjään, jos sinulla on kysyttävää vielä käyttöohjeen lukemisen jälkeen.
- Säilytä käyttöopasta kaikkien käyttäjien saatavilla. Anna se mukaan myös silloin, kun annat tuotteen muiden käyttöön.
- Älä yritä muuttaa tuotetta millään tavalla. Käytä vain valmistajan suosittelemia lisälaitteita ja lisävarusteita.
- Käytä tuotetta vain tämän käyttöohjeen mukaisesti. Väärinkäyttö ja virheellinen käsittely aiheuttavat vaaraa ihmisille ja omaisuudelle.
- Älä käytä tuotetta, jos siinä on näkyviä vaurioita. Tarkista virtajohto, pistoke, kiinnitetyt letkut ja kotelo ennen jokaista käyttökertaa. Violliset tuotteet on korjattava tai hävitettävä asianmukaisesti.
- Irrota tuote virtalähteestä välittömästi, jos johto tai tuote on vaurioitunut tai jos se vikaantuu.
- Jätä tuotteen korjaus vain pätevän asiantuntijan tehtäväksi. Virheelliset korjaukset voivat aiheuttaa sähköiskuja tai muita onnettomuuksia.
- Irrota tuote virtalähteestä vetämällä pistokkeesta, ei virtajohdosta.
- Älä anna virtajohdon roikkua reunojen yli, äläkä

purista tai taivuta sitä.

- Käytä jatkojohtoja, jotka vastaavat tämän tuotteen teknisiä vaatimuksia, jos jatkojohdon käyttö on välttämätöntä. Kun käytät tuotteita ulkona, käytä ulkokäyttöön soveltuvaa jatkojohtoa.

## **Pumpun turvallisuusvaroitukset**

- Laite on asennettava kansallisten johdotusmääräysten mukaisesti.
- Virta pumppuun on syötettävä vikavirtasuojakytkimen kautta, jonka nimellinen laukaisuvirta on enintään 30 mA.
- Estä käyttö lapsilta asianmukaisin toimenpitein.
- Älä käytä pumppua, kun vedessä on ihmisiä.
- Älä käytä pumppua ilman vettä.
- Varmista, että pumppu ei ime merieläimiä (esim. kaloja).
- Muista, että nesteen pilaantuminen voi johtua voiteluaineiden vuotamisesta.
- Suojaa sähköliitännöitä ja johtoja kuumuudelta, öljyltä, teräviltä reunoilta ja kosteudelta.
- Suojaa pumppua pakkaselta ja kuivumiselta.
- Vältä aggressiivisten nesteiden tai hankaavien materiaalien pumppaamista.
- Älä käytä virtajohtoa tai uimurikytkimen kaapelia tuotteiden kuljettamiseen tai kiinnittämiseen. Kiinnitä köysi kahvaan upottamista, nostamista

tai kiinnittämistä varten.

- Tarkista ja puhdista pumpun ulostulo- ja sisääntuloaukko tarvittaessa.
- Älä pumpppaa nesteitä, joissa on hiekkaa tai muita hankaavia aineita. Se lisää kulumista ja vähentää pumpun tehoa.
- Pumppu on tarkoitettu likaiselle vedelle johon sitoutuneiden epäpuhtauksien läpimitta on enintään 25 mm.
- Pumppua käytetään veden pumppaamiseen alle 35 °C:n lämpötilassa. Älä käytä tuotetta muiden nesteiden pumppaamiseen (hiilivedyt, öljyt, syövyttävät nesteet, palavat nesteet...).
- Älä koskaan käytä pumppua, kun on olemassa pakkasvaara.
- Tuotetta ei ole suunniteltu jatkuvaan käyttöön. Lepää sitä 10 minuuttia jokaisen 1 tunnin juoksun jälkeen.

### **Hätäpalvelu**

Tutustu tuotteen käyttöön tämän käyttöohjeen avulla. Opettele turvallisuusohjeet ulkoa ja noudata niitä kirjaimellisesti. Tämä auttaa ehkäisemään riskejä ja vaaroja.

1. Ole aina valppaana, kun käytät tätä tuotetta, jotta voit tunnistaa riskit ja käsitellä niitä ajoissa. Nopea toiminta voi estää vakavia loukkaantumisia ja omaisuusvahinkoja.

2. Irrota laite virtalähteestä, jos laitteessa ilmenee toimintahäiriöitä.

Tarkastuta tuote pätevällä ammattilaisella ja korjaa tarvittaessa, ennen kuin käytät laitetta uudelleen.

### **Jäännösriskit**

Vaikka käyttäisit tätä tuotetta kaikkien turvallisuusvaatimusten mukaisesti, loukkaantumis- ja vahingoittumisvaara on edelleen olemassa. Seuraavat

vaarat voivat liittyä tämän tuotteen rakenteeseen ja malliin:

1. Tärinäpäästöistä johtuvat terveyshaitat, jos tuotetta käytetään pitkään tai jos sitä ei hoideta ja huolleta asianmukaisesti.
2. Loukkaantumiset ja omaisuusvahingot, jotka johtuvat kiinnikkeiden rikkoutumisesta tai piilossa olevien esineiden äkillisestä osumasta käytön aikana.
3. Lentävien esineiden aiheuttama loukkaantumis- ja omaisuusvahinkovaara.
4. Murtumisvaara.



**VAROITUS!** Tämä tuote tuottaa käytön aikana sähkömagneettisen kentän! Tämä kenttä voi joissakin olosuhteissa häiritä aktiivisia tai passiivisia lääketieteellisiä implantteja! Vähentääksesi vakavan tai kuolemaan johtavan loukkaantumisen riskiä, suosittelemme, että henkilöt, joilla on lääketieteellisiä implantteja, keskustelevat lääkärinsä ja implanttivalmistajan kanssa ennen tämän tuotteen käyttöä.

### **VAROITUS:**

- 1). Sähköpumppua saa käyttää kellarissa ja maan alla vain, jos kaikki turvasuojaukset ovat määräysten mukaisia.
- 2). Voit siirtää sähköpumppua kantokahvasta, ja voit myös sitoa köyden kantokahvaan siirtääksesi pumppua, kun sitä käytetään ahtaassa tilassa.
- 3). Ei saa koskaan käyttää kuormittamattomana.
- 4). Jos sähköpumppu on vaurioitunut tai sitä on muutettu ilkkivaltaisesti, tuottajat eivät voi varmistaa pumpun normaalia toimivuutta.
- 5). Pumpun rungon ja pääkannen kosketuspinnalla

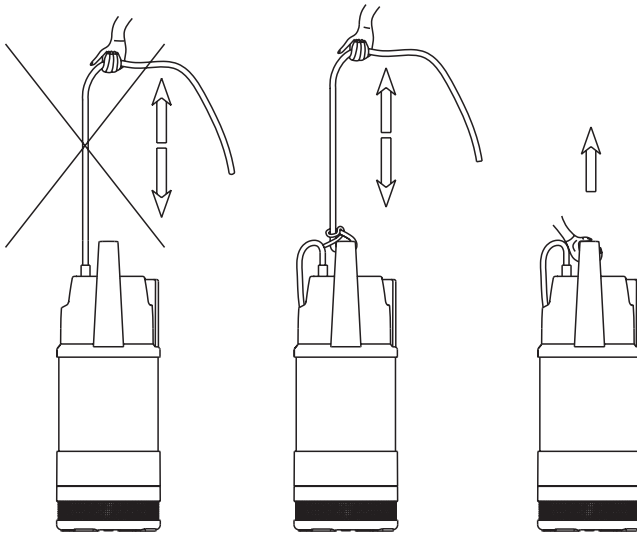
on päästöjä. Sähköpumpussa normaali ilmiö on, että reiästä vuotaa hieman vettä normaalin käytön aikana.

6). Veden laatu saattaa muuttua tiivistyslaitteessa olevan myrkyttömän öljyn vuoksi. Emme voi välttyä sähköpumpun vuodoilta, vaikka vesi olisi kuinka puhdasta.

**Huomio!** Kaikki käyttö on suoritettava turvallista käyttöä koskevien määräysten mukaisesti.



Älä tee sähköpumpulle toimenpiteitä, ellei virtaa ole katkaistu. Pumppu on maadoitettava sähkövuotojen välttämiseksi ja siihen on asennettava vuotosuoja, jonka suojavirta on alle 30 mA.



1	Virtajohto	
2	Kahva	
3	Lähtö	
4	Kaapelin ura	
5	Pumpun runko	
6	Uimurikytkin	
7	Suodatin	
8	Alusta	
9	Alusta	
10	Tulppa	

## Käyttötarkoitus

Monivaiheiset uppopumput on tarkoitettu pumppaamaan epäpuhdasta vettä, joka ei sisällä kuituja. Sitä käytetään yleensä kotona manuaalisesti tai automaattisesti, ja sitä käytetään myös pumppaamaan nestettä viemäriin, sadevettä, vuotoa ojituksista jne. Kompaktin muotonsa ja hyvän käytettävyytensä ansiosta sähköpumpua voidaan käyttää puutarhanhoidossa tai muissa tavanomaisissa olosuhteissa kannettavana imupumpuna.

Älä koskaan käytä tällaista sähköpumpua uima-altaassa, lammessa tai säiliössä, jossa on paljon ihmisiä tai jossa on vaarallisia hiilivetyjä (benssiiniä, dieseliä, polttoöljyä, liuottimia ja niin edelleen), jotka voivat aiheuttaa onnettomuuden.

## Tekniset tiedot

Syöttöteho	220-240V
Teho	1100W
Maks. virtaus	7000 l/h
Maks. pää	42 m
Suojausluokka	F
Suojausluokka	IPX8
Ympäristön lämpötila	-5...+40 °C
Nesteen lämpötila	0...+35 °C
Maks. upotussyvyys	7 m

Maks. hiukkasen halkaisija	1 mm
Lähtö	G1

### **Kytkimen toiminta**

Uimurikytkin käynnistää ja pysäyttää pumpun automaattisesti. Sähköpumppu kytkeytyy päälle, kun vedenpinta nousee tiettyyn asentoon uimurikytkimen käynnistämiseksi, ja kun vedenpinnan lasku sammuttaa uimurikytkimen, sähköpumppu sammuu automaattisesti. Pumpun sivussa on kaapeliura, josta käyttäjät voivat säätää kelluntavirtajohdon pituutta.

### **Pistokkeen toiminta**

Vedä tulppa pois pohjasta veden poistamiseksi.

## **Huomio:**

- 1). Sähköpumppua ei saa käynnistää yli 20 kertaa minuutissa, jotta sähköpumppu ei käynnistyisi toistuvasti. Se saattaa lyhentää sähköpumpun käyttöikä.
- 2). Jäätymisvaara: jos sähköpumppu on sijoitettava alle 0 °C:n lämpötilaan, on varmistettava, ettei pumppuun jää nestettä, jotta sähköpumpun osa ei vaurioidu.
- 3). Sähköpumppu on pestävä puhtaalla vedellä sen jälkeen, kun sitä on käytetty sedimenttipitoisessa vedessä, jotta vältetään sedimentin aiheuttama tukkeutuminen tai suorituskyvyn heikkeneminen.

### **Asennus**

- 1). Jos sähköpumppu toimii olosuhteissa, joissa on paljon epäpuhtauksia, on suositeltavaa sijoittaa sähköpumppu tietylle korkeudelle, jotta pumpun sisääntulo ei tukkeudu.
- 2). Se on paras toimintatila, kun sähköpumppu on kokonaan veden alla.
- 3). On varmistettava, että sähköpumppua käytetään paikassa, jossa uimurikytkin voi liikkua vapaasti.

## Sähköosien kytkentä

- 1). Sähköosien kytkentä ja suojaus on tehtävä kotimaisten määräysten mukaisesti. Tyyppikilvessä ilmoitetaan käyttöjännite. Varmista, että virtalähde on sähkömoottorin mukainen.
- 2). Kun sähköpumppua käytetään kaukana virtalähteestä, sähköpumpun on toimittava suuremmalla virtajohdolla, tai sähköpumppu ei voi toimia normaalitilassa jännitteen laskun vuoksi.
- 3). Jos sähköpumppua käytetään ulkotiloissa, pumpun jatkojohto on vaihdettava ulkotiloihin tarkoitettuun kumipinnoitettuun kaapeliin.
- 4). Lämpösuoja on tarkoitettu sähköpumppua varten. Jos sähköpumppu sammuu automaattisesti ylikuormituksen vuoksi, pumppu käynnistyy automaattisesti sähkömoottorin jäähdytyä, kunhan virtalähde on käytettävissä.
- 5). Älä koskaan vahingoita tai leikkaa virtajohtoa. Kun virtajohto vahingoittuu tai katkeaa vahingossa, sähköpumppua ei saa enää käyttää. Sinun on etsittävä henkilö, joka on ammattitaitoinen tai valtuutettu korjaamaan tai vaihtamaan pumpun.  
Huomio: virtajohtoon pituus rajoittaa sähköpumpun upotussyvyyttä.
- 6). Älä koskaan käytä sähköpumppua, kun vedessä on ihmisiä.
- 7). Varmista, että verkkopistorakkeet ja pistorasia ovat kuivia.

## Huolto ja puhdistus

Normaalisti toimiessaan sähköpumppu ei tarvitse ammattimaista huoltoa, mutta sen käytöstä poistaminen on annettava ammattilaisen tehtäväksi. Kaikki korjaukset ja huollot on joka tapauksessa tehtävä sen jälkeen kun sähkö on katkaistu.

Varmista, että tuloaukko pumpun pohjassa oleva on asennettu, kun kytket pumpun päälle, jotta vältät mekaanisen onnettomuuden.

### Korjaus ja vaihto

Jos toiminta loppuu ja laite tarvitsee korjausta, lähetä se valtuutettuun korjauskeskukseen. Valmistaja ei ole vastuussa ilman lupaa suoritetun korjauksen aiheuttamista tuloksista.

## Ongelmanratkaisu

VIKA	MAHDOLLINEN SYY	RATKAISU
Pumppu toimii, mutta se ei nosta vettä.	A. Imusäleikkö on tukkeutunut B. Juoksupyörä on tukkeutunut tai vaurioitunut. C. Vaadittu korkeus on suurempi kuin pumpun ominaisarvo.	A. Puhdista suodatin. B. Irrota lohko tai vaihda juoksupyörä.

Pumppu ei käynnisty tai sammuu vedenkorkeuden muutoksen mukaan.	Uimurikytkin ei pääse heilumaan vapaasti.	Varmista, että uimurikytkin liikkuu vapaasti, ja säädä kaapelin pituus kaapelin uran avulla.
Virtausnopeus on riittämätön.	A. Imusäleikkö on tukkeutunut. B. Juoksupyörä tai poistoputki on tukkeutunut.	Puhdista lohko.
Pumppu pysähtyy, kun uimurikytkin on päällä, kun se on toiminut lyhyen aikaa.	Pumppu pysähtyy automaattisesti, kun lämpösuoja on kytketty päälle.	Tarkista, onko nesteen lämpötila tai tiheys liian korkea, mikä saa sähkömoottorin ylikuumentumaan.
Pumppu ei toimi.	A. Tarkista, että uimurikytkin liikkuu vapaasti. B. Tarkista, että pistokkeen ja pistorasian liitäntä on kunnossa.	Varmista, että uimurikytkin liikkuu vapaasti, ja säädä kaapelin pituus kaapelin uran avulla.



Yliviivatun roska-astiasymbolin merkitys:

Älä hävitä sähkölaitteita sekajätteenä, vaan käytä erillisiä keräyspisteitä. Ota yhteyttä paikallishallintoon saadaksesi tietoa käytettävissä olevista keräysjärjestelmistä.

Jos sähkölaitteita hävitetään kaatopaikoille, vaarallisia aineita voi vuotaa pohjaveteen ja joutua sieltä ravintoketjuun vahingoittaen terveyttäsi ja hyvinvointiasi.

Kun vaihdat vanhat laitteet uusiin, jälleenmyyjällä on lakisääteinen velvollisuus ottaa vanha laitteesi takaisin hävitettäväksi maksutta.

## Takuu

Pidämme erityistä huolta korkealaatuisten materiaalien valinnasta ja käytämme valmistustekniikoita, joiden avulla voimme luoda tuotteita, joissa yhdistyvät muotoilu ja kestävyys. Tällä tuotteella (DFM883) on valmistajan 2 vuoden takuu valmistusvirheitä vastaan ostopäivästä (jos ostettu myymälästä) tai toimituspäivästä (jos ostettu verkosta) ilman lisäkustannuksia.

Tämän takuun mukaisen korvausvaatimuksen esittämiseksi sinun on esitettävä ostotodistus (kuten myyntikuitti, ostolasku tai muu sovellettavan lain mukaan hyväksyttävä todiste), ja sinun on säilytettävä ostotodistusta turvallisessa paikassa. Jotta tämä takuu olisi voimassa, ostamasi tuotteen on oltava uusi. Takuu ei koske käytettyjä tai esittelytuotteita. Ellei sovellettavassa laissa toisin säädetä, tämän takuun nojalla myönnetylle korvaavalle tuotteelle myönnetään takuu vain alkuperäisen takuuajan päättymiseen saakka.

Tämä takuu kattaa tuotteen vikaantumiset ja toimintahäiriöt edellyttäen, että tuotetta on käytetty siihen tarkoitukseen, johon se on tarkoitettu, ja että se on asennettu, puhdistettu, hoidettu ja huollettu näissä ehdoissa, käyttöohjeessa ja vakiokäytännössä ilmoitettujen tietojen mukaisesti edellyttäen, ettei vakiokäytäntö ole ristiriidassa käyttöohjeen kanssa. Tämä takuu ei kata vikoja ja vaurioita, jotka johtuvat normaalista kulumisesta tai vahingoista, jotka voivat olla seurausta vääränlaisesta käytöstä, virheellisestä asennuksesta tai kokoonpanosta, laiminlyönnistä, onnettomuudesta, väärinkäytöstä tai tuotteen muuttamisesta. Ellei sovellettavassa lainsäädännössä toisin säädetä, tämä takuu ei missään tapauksessa kata liitännäiskustannuksia (kuljetus-, siirto-, purku- ja uudelleenasennuskustannuksia, työvoimakustannuksia jne.) eikä suoria tai välillisiä vahinkoja.

Tämä takuu ei kata vikoja ja vahinkoja, jotka ovat aiheutuneet tai johtuvat seuraavista:

- Normaali kuluminen
- Ylikuormitus, väärinkäyttö tai laiminlyönti
- Korjausyritykset, joita tekee muu kuin valtuutettu edustaja
- Kosmeettiset vauriot
- Vieraiden esineiden, aineiden tai vahinkojen aiheuttamat vauriot.
- Tahaton vaurioituminen tai muuttaminen
- Valmistajan ohjeiden noudattamatta jättäminen
- Tavaroiden käytön menetykset

Jos tuote on viallinen, korjaamme tai vaihdamme sen kohtuullisen ajan kuluessa. Tämän takuun mukaiset oikeudet ovat täytäntöönpanokelpoisia siinä maassa, josta olet ostanut tämän tuotteen. Takuuseen liittyvät kysymykset on osoitettava myymälälle, josta ostit tämän tuotteen. Takuu täydentää lakisääteisiä oikeuksiasi eikä vaikuta niihin.

FI

# EY-vaatimustenmukaisuusvakuutus

Me,

**Onninen Oy**

**Osoite:** Satamakatu 3, FI-00160, Helsinki, Finland

**Puhelin:** +358-10 53032

**takaamme ja vakuutamme, että tämä tuote**

Laitte: KORKEAPAINEPUMPPU

Tuotenimi: OPAL

Malli/tyyppi: DFM883/LKS-1100S

**on**

Konedirektiivi (MD) 2006/42/EY,  
sähkömagneettisen yhteensopivuuden direktiivin (EMC) 2014/30/EY,  
RoHS 2011/65/EU Annex II & (EU) 2015/863

**säännösten mukainen ja että seuraavia harmonisoituja standardeja ja teknisiä erittelyjä on sovellettu:**

MD:

EN 60335-1:2012+A11+A13+A1+A14+A2+A15

EN IEC 60335-2-41:2021+A11

EN 62233:2008

EMC:

EN IEC 55014-1:2021

EN IEC 55014-2:2021

EN IEC 61000-3-2:2019+A1

EN 61000-3-3:2013+A1+A2

Helsinki, Finland, October 30<sup>th</sup>, 2024  
Kesko Corporation Group Companies



Ville Särkilähti - General Manager

## **SE**

Bruksanvisning

Bästa kund

Tack för ditt förtroende för vår produkt!

Innan du använder produkten för första gången, var god läs denna bruksanvisning! Här finns information om hur produkten används på ett säkert sätt som säkerställer en lång livslängd för produkten. Du bör ägna uppmärksamhet åt alla säkerhetsanvisningar i detta dokument!

## **Säkerhetsinformation**

### **Allmänna säkerhetsvarningar**

- Denna utrustning får inte användas av barn. Rengöring och användarunderhåll får inte utföras av barn.
- Koppla alltid bort utrustningen från elnätet före montering, demontering eller rengöring.
- Utrustningen får användas av personer med nedsatt fysisk, sensorisk eller mental förmåga eller personer som saknar erfarenhet och kunskap om de övervakas eller har fått instruktioner om hur utrustningen ska användas på ett säkert sätt och de förstår riskerna med användningen.
- Barn får inte leka med utrustningen.
- Pumpar som saknar uppgift om att de är skyddade mot frysning får inte lämnas utomhus när det råder frostväder.
- Observera! Om nätkabeln är skadad måste den bytas ut av tillverkaren, dennes serviceombud eller motsvarande behöriga personer för att undvika säkerhetsrisker.

- Bekanta dig med handhavande, justering och funktioner. Följ säkerhets- och bruksanvisningarna för att undvika möjliga risker och faror.
- Kontakta en behörig person eller din återförsäljare om du har frågor efter att ha läst bruksanvisningen.
- Förvara bruksanvisningen så att den är tillgänglig för alla användare. Lämna också med den om du ger produkten till någon annan.
- Försök inte att modifiera produkten på något sätt. Använd endast de redskap och tillbehör som rekommenderas av tillverkaren.
- Använd produkten enbart i enlighet med denna bruksanvisning. Felaktig användning och hantering kan leda till fara för människor och egendom.
- Använd inte produkten om det finns synliga skador. Kontrollera nätkabel, stickpropp, slangar och hölje före varje användningstillfälle. Skadade produkter måste repareras eller kasseras på rätt sätt.
- Koppla omedelbart bort produkten från strömförsörjningen om sladden eller produkten är skadad eller om ett fel uppstår.
- Låt endast en behörig specialist reparera produkten. Felaktiga reparationer kan leda till elektriska stötar eller andra olyckor.

- Dra i kontakten i stället för i nätkabeln för att koppla bort produkten från strömförsörjningen.
- Kläm eller böj den inte nätkabeln, och låt den inte hänga över kanter.
- Använd förlängningsladdar som uppfyller de tekniska kraven för denna produkt om du måste använda en förlängningsladd. När du använder produkter utomhus ska du använda en förlängningsladd som är lämplig för utomhusbruk.

## **Säkerhetsvarningar för pumpen**

- Utrustningen ska installeras i enlighet med gällande nationella regler för elinstallationer.
- Pumpen ska försörjas med ström via en jordfelsbrytare (RCD) med en brytströmstyrka som inte överstiger 30 mA.
- Förhindra med lämpliga åtgärder att barn får tillgång till utrustningen.
- Använd inte pumpen när människor befinner sig i vattnet.
- Pumpen får inte användas utan vatten.
- Se till att inga vattendjur (t.ex. fiskar) suggs upp av pumpen.
- Tänk på att förorening av vätskan kan uppstå på grund av läckage av smörjmedel.
- Skydda elanslutningar och sladdar mot värme, olja, vassa kanter och fukt.

- Skydda pumpen mot frost och torrkörning.
- Undvik cirkulation av aggressiva vätskor med frätande material.
- Använd inte nätkabeln eller flottörbrytarens kabel för att transportera eller fästa produkten. Fäst ett rep i handtaget för nedsänkning, upplyftning eller fastsättning.
- Kontrollera och rengör pumpens utlopp och inlopp vid behov.
- Pumpa inte vätskor med sand eller andra frätande ämnen. Det orsakar ökat slitage och minskar pumpens effekt.
- Pumpen är konstruerad för smutsigt vatten där suspenderade föroreningars diameter inte överstiger 25 mm.
- Pumpen ska användas för pumpning av vatten vars temperatur är under 35 °C, använd inte produkten för andra vätskor (kolväten, oljor, frätande vätskor, brandfarliga vätskor ...).
- Använd aldrig pumpen när det finns risk för frost.
- Produkten är inte avsedd för kontinuerlig användning. Låt den vila i 10 minuter varje gång efter 1 timmes drift.

### **Nödfall**

Bekanta dig med användningen av denna produkt med hjälp av denna bruksanvisning. Lär dig säkerhetsanvisningarna utantill och följ dem till punkt och pricka. Detta bidrar till att förebygga risker och faror.

1. Var alltid uppmärksam när du använder denna produkt, så att du tidigt

kan upptäcka och hantera risker. Ett snabbt ingripande kan förhindra allvarliga person- och egendomsskador.

2. Koppla från strömförsörjningen om det uppstår funktionsstörningar. Låt en behörig yrkeskunnig kontrollera produkten och vid behov reparera den innan du använder den igen.

### **Kvarstående risker**

Även om du använder denna produkt i enlighet med alla säkerhetsföreskrifter, finns det fortfarande potentiell risk för person- och egendomsskador. Följande faror kan uppstå i samband med produktens konstruktion och utformning:

1. Hälsorisker till följd av vibrationer om produkten används under långa tidsperioder eller inte hanteras och underhålls på rätt sätt.
2. Person- och egendomsskador på grund av trasiga tillbehör eller plötsliga sammanstötningar med dolda föremål under användning.
3. Risk för person- och egendomsskador orsakade av flygande föremål.
4. Risk att produkten spricker.



**! WARNING!** Denna produkt genererar ett elektromagnetiskt fält under drift! Detta fält kan under vissa omständigheter störa aktiva eller passiva medicinska implantat! För att minska risken för allvarliga eller dödliga skador rekommenderar vi att personer med medicinska implantat rådgör med sin läkare och tillverkaren av det medicinska implantatet innan de använder denna produkt!

### **VARNING:**

- 1). Den elektriska pumpen får endast användas i källare och underjordiska passager om alla säkerhetsåtgärder motsvarar föreskrifterna.
- 2). Du kan flytta den elektriska pumpen med hjälp av bärhandtaget, och du kan också knyta fast ett rep på bärhandtaget för att flytta den när du

använder den i ett trångt utrymme som en brunn.

3). Får aldrig köras utan belastning.

4). Om den elektriska pumpen skadas eller modifieras på ett illvilligt sätt kan tillverkaren inte garantera att den elektriska pumpen kan fungera normalt.

5). Det finns ett utsläpp på kontaktytan mellan pumphuset och huvudlocket. Det är ett normalt fenomen för en elektrisk pump att lite vatten läcker ut ur hålet under normal drift.

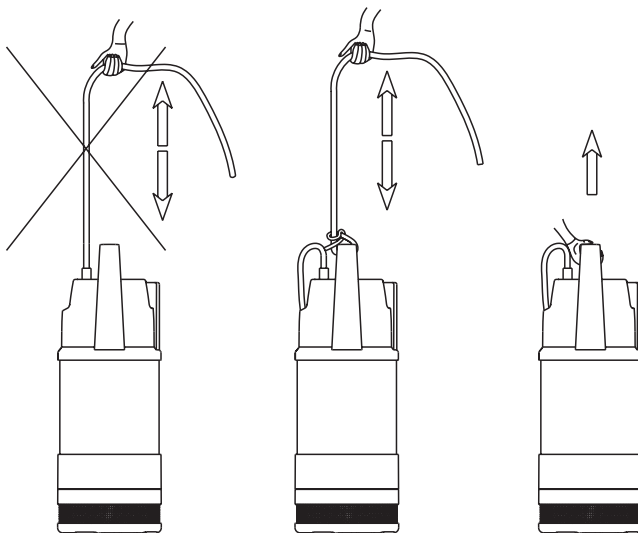
6). Vattenkvaliteten kan förändras på grund av den giftfria oljan i tätningssanordningen. Vi kan inte undvika läckage från den elektriska pumpen, oavsett hur rent vattnet är.

**Observera!** All användning måste ske i enlighet med föreskrifterna för säker användning.



Vidta inga åtgärder på den elektriska pumpen om inte strömmen är avstängd.

Pumpen måste vara jordad för att undvika elektriskt läckage, och försedd med en jordfelsbrytare vars skyddsström är mindre än 30 mA.



1	Kabel	
2	Handtag	
3	Utlopp	
4	Kabelspår	
5	Pumphus	
6	Flottörbrytare	
7	Filter	
8	Socket	
9	Socket	
10	Kontakt	

## Användningsområde

Denna serie av flerstegs dränkbara pumpar har konstruerats för att pumpa orent vatten som inte innehåller några fibrer. Den används vanligtvis i hemmet med manuell eller automatisk drift, och den används också för att pumpa vätska till avlopp, regnvatten, utsläpp från diken och så vidare. Tack vare sin kompakta form och möjlighet att användas i en brunn kan den elektriska pumpen användas vid trädgårdsarbete eller som en bärbar sugpump under andra normala förhållanden.

Använd aldrig denna typ av elektrisk pump i en pool, damm eller tank där det är mycket folk eller där det finns farliga kolväten (bensin, diesel, eldningsolja, lösningsmedel osv.) som kan orsaka olyckor.

### Tekniska parametrar

Strömförsörjning	220–240V
Ingångseffekt	1100 W
Max. flöde	7000 l/h
Max. uppfordringshöjd	42 m
Skyddsklass	F
Skyddsklass	IPX8
Omgivningstemperatur	-5 °C till +40 °C
Vätsketemperatur	0 °C till 35 °C
Max. nedsänkingsdjup	7 m
Max. partikel- diameter	1 mm
Utlopp	G1

### Brytarens funktion

Flottörbrytaren startar och stänger av pumpen automatiskt, den elektriska pumpen slås på när vattennivån stiger till en viss nivå och slår på flottörbrytaren samt när sänkning av vattennivån gör att flottörbrytaren stängs av och den elektriska pumpen stängs av automatiskt.

På sidan av pumpen finns en kabelskåra som kan användas för att justera längden på flottörens strömkabel.

### Pluggens funktion

Ta bort pluggen från sockeln för att tappa av vattnet.

### Uppmärksamhet:

- 1). Den elektriska pumpen bör inte slås på mer än 20 gånger per minut för att undvika att den elektriska pumpen startas upprepade gånger, vilket kan förkorta den elektriska pumpens livslängd.
- 2). Risk för frost: om den elektriska pumpen måste förvaras vid under 0 °C måste man se till att det inte finns någon vätska kvar i pumpen för att undvika att den elektriska pumpens delar skadas.

3). För att undvika blockering eller prestandanedsättning orsakad av sediment måste den elektriska pumpen tvättas med rent vatten efter användning där sediment förekommer.

### **Installation**

- 1). Om den elektriska pumpen arbetar under förhållanden med mycket föroreningar rekommenderas det att den elektriska pumpen placeras på en viss höjd så att pumpens inlopp inte blockeras.
- 2). Det är det bästa arbetssättet när den elektriska pumpen är helt under vatten.
- 3). Det är nödvändigt att se till att den elektriska pumpen arbetar på en plats där flottörbrytaren kan röra sig fritt.

### **Anslutning av elektriska delar**

- 1). Anslutningen och skyddet av elektriska delar måste göras enligt de inhemska bestämmelserna och arbetsspänning är markerad på typskylten. Se till att strömförsörjningen överensstämmer med den elektriska motorns specifikation.
- 2). När den elektriska pumpen arbetar på en plats långt från strömkällan bör den elektriska pumpen användas med kraftigare strömkabel, annars kan den elektriska pumpen inte fungera normalt på grund av spänningsfall.
- 3). Om den elektriska pumpen används utomhus måste pumpens förlängningskabel bytas ut mot en gummikabel för utomhusbruk.
- 4). Termiskt skydd för den elektriska pumpen ingår. Om den elektriska pumpen automatiskt stängs av på grund av överbelastning kommer pumpen att starta automatiskt när att den elektriska motorn har svalnat, förutsatt att strömkällan inte har kopplats bort.
- 5). Skada eller klipp aldrig av strömkabeln. Om strömkabeln av misstag har skadats eller skurits av får den elektriska pumpen inte användas igen, och du bör uppsöka en person som är yrkeskunnig eller behörig att reparera eller byta den.  
Uppmärksamhet: den elektriska pumpens nedsänkingsdjup begränsas av strömkabelns längd.
- 6). Använd aldrig den elektriska pumpen när personer befinner sig i vattnet.
- 7). Kontrollera att nätkontakter och uttag är torra.

## Underhåll och rengöring

Den elektriska pumpen behöver inte något professionellt underhåll när den fungerar normalt, men borttagningen måste göras av en yrkeskunnig. Strömmen måste stängas av innan all reparation och allt underhåll får utföras.

För att undvika mekanisk olycka, se till att inloppet i pumpens sockel är väl installerat när du slår på pumpen.

Reparation och utbyte

Om produkten går sönder och behöver repareras ska du skicka den till en auktoriserad reparationsverkstad. Tillverkaren ansvarar inte för några resultat som orsakas av reparation utan tillstånd.

## Felsökning

FEL	MÖJLIG ORSAK	LÖSNING
Pumpen fungerar, men den pumpar inte vatten.	A. Suggallret är igensatt B. Pumphjulet är blockerat eller skadat. C. Den erforderliga uppfordringshöjden är högre än pumpens prestanda tillåter.	A. Rengör filtret. B. Ta bort blockeringen eller byt pumphjulet.
Pumpen startar eller stängs inte av när vattennivån ändras.	Flottörbrytaren kan inte svänga fritt.	Se till att flottörbrytaren svänger fritt och justera kabelns längd med hjälp av kabelrännan.
Flödes hastigheten är otillräcklig.	A. Suggallret är igensatt. B. Pumphjulet eller utkaströret är blockerat.	Avlägsna blockeringen.
Pumpen stannar med flottörbrytaren påslagen efter en kort tids drift.	Pumpen stannar automatiskt när det termiska skyddet är påslaget.	Kontrollera om vätskans temperatur eller densitet är för hög så att den elektriska motorn överhettas.

Pumpen fungerar inte.	A. Kontrollera att flottörbrytaren svänger fritt. B. Kontrollera att kontakten mellan stickkontakt och uttag är korrekt ansluten.	Se till att flottörbrytaren svänger fritt och justera kabelns längd med hjälp av kabelrännan.
-----------------------	--	---



Betydelse av överkorsad soptunna med hjul:

Kassera inte elektriska apparater som osorterat hushållsavfall, utan använd särskilda återvinningsanläggningar.

Kontakta din lokala myndighet för information om vilka återvinningsystem som finns tillgängliga.

Om elektriska apparater kasseras i deponier eller på soptippar, kan farliga ämnen läcka ut i grundvattnet och komma in i livsmedelskedjan, vilket kan skada din hälsa och ditt välbefinnande.

När du byter ut gammal utrustning mot ny är återförsäljaren enligt lag skyldig att kostnadsfritt ta emot din gamla utrustning för bortskaffande.

## Garanti

Vi är noga med att välja material av hög kvalitet och använder tillverkningstekniker som gör det möjligt för oss att skapa produkter som förenar design och hållbarhet. Denna produkt (DFM883) har en tillverkargaranti på 2 år avseende tillverkningsfel, från inköpsdatum (om den köpts i butik) eller leveransdatum (om den köpts online), utan extra kostnad.

För att göra anspråk på denna garanti måste du visa upp ditt inköpsbevis (t.ex. ett kvitto, en inköpsfaktura eller annat bevis som är godkänt enligt tillämplig lag). Förvara ditt inköpsbevis på ett säkert ställe. För att denna garanti ska gälla måste produkten du köpt vara ny, den gäller inte för begagnade produkter eller demonstrationsexemplar. Om inte annat anges i tillämplig lag, kommer varje ersättningsprodukt som överlämnas enligt denna garanti endast att omfattas av garanti fram till utgången av den ursprungliga garantiperioden.

Denna garanti täcker produktfel och funktionsstörningar förutsatt att produkten har använts för det ändamål den är avsedd för och att installation, rengöring, skötsel och underhåll har utförts i enlighet med informationen i dessa villkor, i bruksanvisningen och enligt gängse praxis,

förutsatt att gängse praxis inte står i strid med bruksanvisningen. Denna garanti täcker inte defekter och skador som orsakas av normalt slitage eller skador som kan vara resultatet av felaktig användning, felaktig installation eller montering, försummelse, olycka, felaktig användning eller modifiering av produkten. Om inget annat finns i tillämplig lag omfattar denna garanti inte i något fall följdkostnader (frakt, flyttning, kostnader för borttagande eller återinstallation, arbete etc.) eller direkta och indirekta skador.

Denna garanti täcker inte defekter och skador som orsakas av eller är till följd av:

- Normalt slitage och förslitning
- Överbelastning, felaktig användning eller försummelse
- Reparationsförsök utförda av någon annan än ett auktoriserat ombud
- Kosmetiska skador
- Skador orsakade av främmande föremål, främmande ämnen eller olyckor
- Oavsiktlig skada eller modifiering
- Underlåtenhet att följa tillverkarens riktlinjer
- Förlust till följd av användning av varorna

Om produkten är defekt kommer vi inom rimlig tid att reparera eller byta ut den. Rättigheter enligt denna garanti kan göras gällande i det land där du köpte denna produkt. Garantirelaterade frågor ska ställas till den butik där du köpte produkten.

Garantin är ett tillägg till och påverkar inte dina lagstadgade rättigheter.

SE

# EU-deklaration om överensstämmelse

Vi,

**Onninen Oy**

**Adress:** Satamakatu 3, FI-00160, Helsinki, Finland

**Telefon:** +358-10 53032

**deklarerar under eget ansvar att följande product**

Produkt: HÖGTRYCKSPUMP

Märkesnamn: OPAL

Modell/typ: DFM883/LKS-1100S

**överensstämmer med**

Maskindirektivet (MD) 2006/42/EG,

direktiv om elektromagnetisk kompatibilitet (EMC) 2014/30/EG

RoHS 2011/65/EU Annex II & (EU) 2015/863

**och att följande harmoniserade standarder och tekniska specifikationer har tillämpats:**

MD:

EN 60335-1:2012+A11+A13+A1+A14+A2+A15

EN IEC 60335-2-41:2021+A11

EN 62233:2008

EMC:

EN IEC 55014-1:2021

EN IEC 55014-2:2021

EN IEC 61000-3-2:2019+A1

EN 61000-3-3:2013+A1+A2

Helsinki, Finland, October 30<sup>th</sup>, 2024

Kesko Corporation Group Companies



Ville Särkilähti - General Manager

## **NO**

Bruksanvisning

Kjære kunde

Takk for at du stoler på produktet vårt!

Før du bruker produktet for første gang, les denne bruksanvisningen! Her finner du informasjon om hvordan å bruke produktet trygt og sikre dets lange levetid. Vær oppmerksom på alle sikkerhetsinstruksjonene i dette dokumentet!

## **Sikkerhetsinformasjon**

### **Generelle sikkerhetsadvarsler**

- Dette apparatet skal ikke brukes av barn. Rengjøring og brukervedlikehold skal ikke utføres av barn.
- Koble alltid apparatet fra strømforsyningen før montering, demontering eller rengjøring.
- Apparater kan brukes av personer med reduserte fysiske, sensoriske eller mentale evner eller manglende erfaring og kunnskap, gitt at de har fått veiledning eller instruksjon i hvordan apparatet skal brukes på en sikker måte, og at de forstår farene forbundet med bruken.
- Barn skal ikke leke med apparatet.
- Pumper som ikke er beskyttet mot frost, skal ikke etterlates utendørs når det er minusgrader.
- Obs! Hvis strømledningen er skadet, må den skiftes ut av produsenten, dennes serviceverksted eller tilsvarende kvalifiserte personer for å unngå sikkerhetsfare.

- Gjør deg kjent med betjening, justeringer og funksjoner. Følg sikkerhets- og bruksanvisningene for å unngå mulige farer og risikoer.
- Kontakt en kvalifisert person eller forhandleren din hvis du har spørsmål etter å ha lest bruksanvisningen.
- Oppbevar bruksanvisningen slik at den er tilgjengelig for alle brukere. Gi den også videre når du gir produktet til andre.
- Ikke forsøk å modifisere produktet på noen måte. Bruk kun tilbehør som er anbefalt av produsenten.
- Bruk produktet kun i samsvar med denne bruksanvisningen. Misbruk og feil håndtering vil føre til fare for mennesker og eiendom.
- Ikke bruk produktet hvis det er synlige skader. Kontroller strømledningen, støpselet, tilkoblede slanger og kabinettet før hver bruk. Defekte produkter må repareres eller kasseres på riktig måte.
- Koble produktet fra strømforsyningen umiddelbart hvis ledningen eller produktet er skadet, eller hvis det oppstår en feil.
- Produktet må kun repareres av en kvalifisert fagperson. Feilaktige reparasjoner kan føre til elektrisk støt eller andre ulykker.
- Trekk i støpselet i stedet for i strømledningen for

å koble produktet fra strømforsyningen.

- Ikke la strømledningen henge over kanter, og ikke klem eller bøy den.
- Bruk skjøteledninger som oppfyller de tekniske kravene til dette produktet hvis bruk av skjøteledning er uunngåelig. Bruk en skjøteledning som er egnet for utendørs bruk når produktene brukes utendørs.

## **Advarsler om pumpesikkerhet**

- Apparatet skal installeres i samsvar med nasjonale forskrifter om ledninger.
- Pumpen skal forsynes gjennom en reststrømsenhet (RCD) med nominell driftsstrøm som ikke overstiger 30 mA.
- Bruk egnede tiltak for å forhindre at barn får tilgang.
- Ikke bruk pumpen når det er personer i vannet.
- Ikke bruk pumpen uten vann.
- Sørg for at ingen sjødyr (f.eks. fisk) suges opp av pumpen.
- Vær oppmerksom på at forurensning av væsken kan forekomme på grunn av lekkasje av smøremidler.
- Beskytt de elektriske tilkoblingene og ledningene mot varme, olje, skarpe kanter og fuktighet.
- Beskytt pumpen mot frost og tørrkjøring.
- Unngå sirkulasjon av aggressive væsker og

slipende materialer.

- Ikke bruk strømledningen eller flottørbryterkabelen til å transportere eller sikre produktene. Fest et tau til håndtaket for nedsenking, løfting eller sikring.
- Kontroller og rengjør pumpens utløp og innløp ved behov.
- Ikke pump væsker med sand eller andre slipende stoffer. Det fører til økt slitasje og reduserer pumpens ytelse.
- Pumpen er beregnet for skittent vann med en diameter på suspenderte urenheter som ikke overstiger 25 mm.
- Pumpen skal brukes for pumping av vann med temperaturer under 35 °C. Ikke bruk produktet for andre væsker (hydrokarboner, oljer, etsende væsker, brannfarlige væsker...).
- Bruk aldri pumpen når det er fare for frost.
- Produktet er ikke beregnet for kontinuerlig bruk. La den hvile i 10 minutter etter hver en times kjøring.

### **Nødsituasjon**

Gjør deg kjent med bruken av dette produktet ved hjelp av denne bruksanvisningen. Lær deg sikkerhetsanvisningene utenat og følg dem til punkt og prikke. Dette vil bidra til å forebygge risiko og farer.

1. Vær alltid på vakt når du bruker dette produktet, slik at du kan oppdage og håndtere risikoer tidlig. Rask inngripen kan forhindre alvorlige person- og eiendomsskader.

2. Koble fra strømforsyningen hvis det oppstår funksjonsfeil. Få produktet kontrollert av en kvalifisert fagperson og reparer det om nødvendig før du tar det i bruk igjen.

## Restrisikoer

Selv om du bruker dette produktet i samsvar med alle sikkerhetskravene, er det fortsatt en potensiell risiko for skader på personer og eiendom. Følgende farer kan oppstå i forbindelse med dette produktets konstruksjon og design:

1. Helseeffekter som følge av vibrasjonsemissjon hvis produktet brukes over lengre tid eller ikke håndteres og vedlikeholdes på riktig måte.
2. Personskader og materielle skader på grunn av ødelagte festeanordninger eller plutselige sammenstøt med skjulte gjenstander under bruk.
3. Fare for personskader og materielle skader forårsaket av flygende gjenstander.
4. Risiko for sprengning.



**ADVARSEL!** Dette produktet produserer et elektromagnetisk felt under drift! Dette feltet kan under visse omstendigheter forstyrre aktive eller passive medisinske implantater! For å redusere risikoen for alvorlige eller dødelige skader anbefaler vi at personer med medisinske implantater rådfører seg med legen sin og produsenten av det medisinske implantatet før de tar i bruk dette produktet!

## **ADVARSEL:**

- 1). Den elektriske pumpen er kun tillatt brukt i kjeller og i under bakkenivå hvis alle sikkerhetsforanstaltninger er i samsvar med forskriftene.
- 2). Du kan flytte den elektriske pumpen med bærehåndtaket, og du kan også knytte tauet på bærehåndtaket for å flytte den når du bruker den på trange steder.
- 3). La aldri pumpen kjøre uten belastning.

4). Hvis den elektriske pumpen er skadet eller endret på feilaktig måte, kan produsentene ikke garantere at den elektriske pumpen kan fungere normalt.

5). Det er en eksos på kontaktflaten til pumpehuset og hodedekselet. Det er et normalt fenomen for en elektrisk pumpe at litt vann lekker ut av hullet under normal drift.

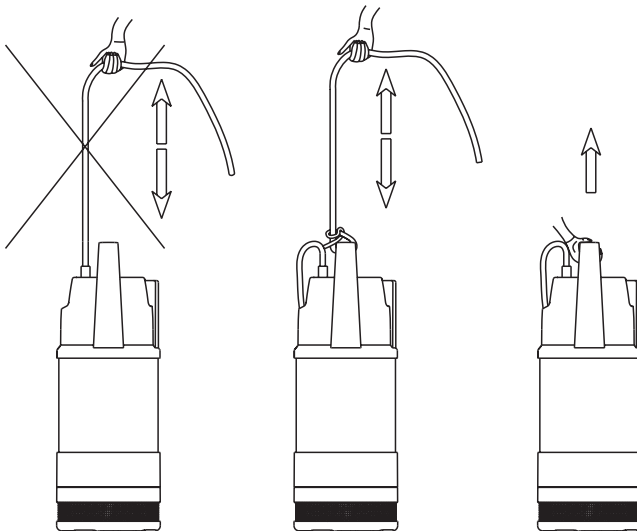
6). Vannkvaliteten kan endre seg på grunn av den giftfrie oljen i tetningsenheten. Vi kan ikke unngå lekkasje fra den elektriske pumpen, uansett hvor rent vannet er.

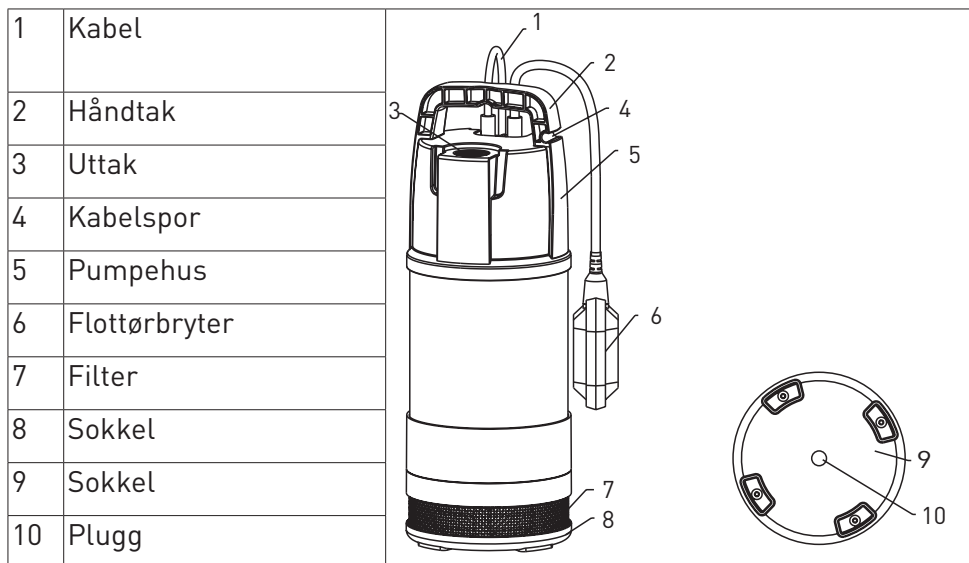
Obs! All bruk må utføres i henhold til forskriftene for sikker drift.



Ikke foreta deg noe med den elektriske pumpen med mindre strømmen er brutt.

Pumpen må være jordet for å unngå elektrisk lekkasje, og være utstyrt med en lekkasjebeskytter som har en beskyttelsesstrøm på mindre enn 30 mA.





## Bruksområde

Serien med flertrinns nedsenkbare pumper er utviklet for å pumpe urent vann som ikke inneholder fiber. Den brukes vanligvis hjemme manuelt eller automatisk, og den brukes også til å pumpe væske i kloakken, regnvann, lekkasje fra spor, og så videre. Den kompakte formen og den gode betjeningen gjør at den elektriske pumpen kan brukes til hagearbeid eller som en bærbar sugepumpe under andre normale forhold.

Bruk aldri denne typen elektrisk pumpe i et svømmebasseng, en dam eller en tank hvor det er mye folk eller hvor det finnes farlige hydrokarboner (bensin, diesel, fyringsolje, løsemidler og så videre) som kan forårsake ulykker.

## Tekniske parametere

Strømforsyning	220-240V
Inngangseffekt	1100W
Maks. strøm	7000 l/h
Maks. trykkehøyde	42 m
Beskyttelsesgrad	F
Beskyttelsesgrad	IPX8
Romtemperatur	-5°C til 40°C
Væsketemperatur	0°C til 35°C
Maks. nedsenkningsdybde	7 m
Maks. dia. på partikkel	1 mm
Uttak	G1

## **Bryterens funksjon**

Flottørbryteren starter og stopper pumpen automatisk, den elektriske pumpen slås på når vannstanden stiger til en viss posisjon for å slå på flottørbryteren, og når vannstanden synker slik at flottørbryteren slås av, slås den elektriske pumpen av automatisk.

På siden av pumpen er det et kabelspor som kan brukes til å justere lengden på strømkabelen til flottøren.

## **Pluggens funksjon**

Trekk pluggen ned fra sokkelen for å tappe av vannet.

## **Obs:**

1). Unngå å starte den elektriske pumpen mer enn 20 ganger i minuttet, dette kan redusere levetiden til den elektriske pumpen.

2). Frostfare: Hvis den elektriske pumpen må plasseres under 0 °C, må det sikres at det ikke er væske igjen i pumpen for å unngå at deler av den elektriske pumpen blir skadet.

3). Den elektriske pumpen må vaskes med rent vann etter bruk under tilstand med sediment, for å unngå blokkering eller ytelsesreduksjon forårsaket av sedimentet.

## **Installasjon**

1). Hvis den elektriske pumpen arbeider under en tilstand med mye urenheter, anbefales det å plassere den elektriske pumpen i en viss høyde for ikke å blokkere innløpet til pumpen.

2). Dette er den beste arbeidstilstanden når den elektriske pumpen er helt under vann.

3). Det er nødvendig å sikre at den elektriske pumpen fungerer på et sted der flottørbryteren kan bevege seg fritt.

## **Tilkobling av elektriske deler**

1). Tilkobling og beskyttelse av elektriske deler må gjøres i henhold til de lokale forskriftene, arbeidsspenning kan finnes på typeskiltet, sørg for at strømforsyningen er i samsvar med elektromotoren.

2). Når den elektriske pumpen er montert langt fra strømkilden, bør den elektriske pumpen utstyres med større strømkabel, ellers kan den elektriske pumpen ikke fungere i normal tilstand på grunn av spenningsfallet.

3). Hvis den elektriske pumpen brukes utendørs, må pumpens skjøteledning skiftes ut med en gummikabel for utendørs bruk.

4). Den elektriske pumpen har varmebeskyttelse. Hvis den elektriske pumpen slår seg av automatisk på grunn av overbelastning, vil pumpen starte automatisk etter at elektromotoren har kjølt seg ned, så lenge strømkilden ikke har blitt avbrutt.

5). Du må aldri skade eller klemme på strømkabelen. Når strømkabelen er skadet eller ødelagt ved et uhell, bør den elektriske pumpen ikke brukes igjen, og du bør snakke med en fagperson som er autorisert til å reparere eller bytte den.

OBS: Den elektriske pumpens nedsenkningsdybde er begrenset av lengden på strømkabelen.

6). Bruk aldri den elektriske pumpen når det er personer i vannet.

7). Kontroller at støpslene og stikkontakten er tørre.

### **Vedlikehold og rengjøring**

Den elektriske pumpen trenger ikke noe profesjonelt vedlikehold når den fungerer normalt, men fjerning må utføres av en fagperson. Uansett må alle reparasjoner og alt vedlikehold utføres etter at strømmen er brutt. Sørg for at inntaket i bunnen av pumpen er godt installert når du slår på pumpen, for å unngå mekaniske uhell.

Reparasjon og utskifting

Hvis produksjonen går i stykker og må repareres, må du sende den til et autorisert reparasjonssenter. Produsenten er ikke ansvarlig for eventuelle resultater forårsaket av reparasjon uten autorisasjon.

### **Feilsøking**

FEIL	MULIG ÅRSAK	LØSNING
Pumpen fungerer, men den leverer ikke vann.	A. Sugegitteret er tilstoppet B. Pumpehjulet er tilstoppet eller skadet. C. Den nødvendige løftehøyden er høyere enn pumpens karakteristikk.	A. Gjør rent filteret. B. Fjern blokkeringen eller bytt pumpehjulet.

Pumpen starter eller stopper ikke i henhold til vannstandsendingen.	Flottørbryteren kan ikke svinge fritt.	Kontroller at flottørbryteren svinger fritt, og juster lengden på kabelen ved hjelp av kabelsporet.
Strømningshastigheten er utilstrekkelig.	A. Sugegitteret er tilstoppet. B. Pumpehjulet eller utløpsrøret er tilstoppet.	Fjern blokkeringen.
Pumpen stopper med flottørbryteren på etter å ha vært i drift en kort stund.	Pumpen stopper automatisk når varmebeskyttelsen er slått på.	Kontroller om temperaturen eller tettheten til væsken er for høy til at elektromotoren blir overopphetet.
Pumpen virker ikke.	A. Kontroller at flottørbryteren svinger fritt. B. Kontroller at støpselet og stikkkontakten er godt tilkoblet.	Kontroller at flottørbryteren svinger fritt, og juster lengden på kabelen ved hjelp av kabelsporet.



Betydning av søppeldunk med kryss over:

Ikke kast elektriske apparater som usortert kommunalt avfall, lever dem til en gjenvinningsstasjon.

Kontakt lokale myndigheter for informasjon om nærmeste tilgjengelige gjenvinningsstasjon.

Hvis elektriske apparater kastes på søppelhauger, kan farlige stoffer lekke ut i grunnvannet og komme inn i næringskjede og føre til skade på helse og velvære.

Når gamle apparater erstattes med nye, er forhandleren rettslig forpliktet til å avhende dine gamle apparater gratis.

## GARANTI

Vi er spesielt nøye med å velge materialer av høy kvalitet og bruke

produksjonsteknikker som gjør det mulig for oss å skape produkter som kombinerer design og holdbarhet. Dette produktet (DFM883) har en produsentgaranti på 2 år mot produksjonsfeil, fra kjøpsdatoen (ved kjøp i butikk) eller leveringsdatoen (ved kjøp på nett), uten ekstra kostnad. For å gjøre krav i henhold til denne garantien må du fremvise kjøpsbevis (for eksempel kvittering, kjøpsfaktura eller annet bevis som er tillatt i henhold til gjeldende lov), oppbevar kjøpsbeviset på et trygt sted. For at denne garantien skal gjelde må produktet du har kjøpt være nytt, den gjelder ikke for brukte produkter eller utstillingsprodukter. Med mindre annet er angitt i gjeldende lovverk, vil ethvert erstatningsprodukt som utstedes i henhold til denne garantien kun være garantert frem til utløpet av den opprinnelige garantiperioden.

Denne garantien dekker produktfeil og funksjonsfeil forutsatt at produktet er brukt til det formålet det er beregnet for, og at installasjon, rengjøring, stell og vedlikehold er utført i samsvar med informasjonen i disse vilkårene, i bruksanvisning og i henhold til vanlig praksis, forutsatt at vanlig praksis ikke er i strid med bruksanvisningen.

Denne garantien dekker ikke defekter og skader som skyldes normal slitasje eller skader som kan være et resultat av feilaktig bruk, feilaktig installasjon eller montering, forsømmelse, uhell, misbruk eller modifisering av produktet. Med mindre annet følger av gjeldende lovgivning, dekker denne garantien under ingen omstendigheter ekstrakostnader (frakt, flytting, kostnader ved av- og påmontering, arbeid osv.) eller direkte og indirekte skader.

Denne garantien dekker ikke feil og skader forårsaket av eller som følge av:

- Normal slitasje og elde
- Overbelastning, feil bruk eller forsømmelse
- Reparasjonsforsøk utført av andre enn en autorisert agent
- Kosmetiske skader
- Skade forårsaket av fremmedlegemer, substanser eller ulykker
- Utilsiktet skade eller modifisering
- Unnlatelse av å følge produsentens retningslinjer
- Tap av bruk av varene

Hvis produktet er defekt, vil vi innen rimelig tid reparere eller erstatte det. Rettigheter i henhold til denne garantien kan håndheves i det landet der du kjøpte dette produktet. Garantirelaterte spørsmål skal rettes til butikken du kjøpte dette produktet fra.

Garantien kommer i tillegg til og påvirker ikke dine lovfestede rettigheter.

NO

# EU-samsvarserklæring

Vi

**Kesko Corporation,**

**Address:** PL 1,00016, Helsinki, Finland

**Telefon:** +358-10 53032

**Erklærer under vårt eneansvar at følgende produkt Utstyr:**

Utskyting: HØYTRYKKSPUMPE

Merkenavn: OPAL

Modell/type: DFM883/LKS-1100S

**er i samsvar med**

Maskindirektiv (MD) 2006/42/EC

Direktiv om elektromagnetisk kompatibilitet (EMC) 2014/30/EC,

RoHS 2011/65/EU Annex II & (EU)2015/863

**og følgende harmoniserte standarder og tekniske spesifikasjoner er brukt:**

MD:

EN 60335-1:2012+A11+A13+A1+A14+A2+A15

EN IEC 60335-2-41:2021+A11

EN 62233:2008

EMC:

EN IEC 55014-1:2021

EN IEC 55014-2:2021

EN IEC 61000-3-2:2019+A1

EN 61000-3-3:2013+A1+A2

Helsinki, Finland, October 30<sup>th</sup>, 2024

Kesko Corporation Group Companies



Ville Särkilähti - General Manager

## **EE**

Kasutusjuhend

Lugupeetud klient

Täname teid, et usaldate meie toodet!

Enne toote esmakordset kasutamist lugege palun käesolev kasutusjuhend kindlasti läbi. Leiate siit teavet selle kohta, kuidas kasutada toodet ohutult ja tagada selle pikk kasutuskestus. Palun pöörake tähelepanu kõigile selles dokumendis esitatud ohutusjuhiste.

## **Ohutusteave**

### **Üldised ohutushoiatused**

- Lapsed ei tohi seadet kasutada. Lapsed ei tohi seadet puhastada ega hooldada.
- Enne kokkupanekut, lahtivõtmist või puhastamist eemaldage seade alati vooluvõrgust.
- Väheste sensorsete, füüsiliste või vaimsete võimetega isikud ning need, kellel puuduvad vajalikud kogemused ja teadmised, tohivad seadmeid kasutada ainult nende ohutuse eest vastutava isiku järelevalve all või kui on saanud seadme ohutu kasutuse juhised ja mõistavad kaasnevaid ohtusid.
- Ärge lubage lastel seadmega mängida.
- Pumpasid, millel puudub märged, et need on külmumise eest kaitstud, ei tohi külma korral õue jätta.
- Tähelepanu! Kui toitekaabel on kahjustatud, peab selle ohutuse tagamiseks asendama tootja, hoolduspartner või sarnase kvalifikatsiooniga isik.

- Tutvuge käitus-, seadistus- ja kasutusvõimalustega. Järgige ohutus- ja kasutusjuhiseid, et vältida võimalikke riske ja ohte.
- Kui teil on pärast kasutusjuhendi lugemist küsimusi, võtke ühendust kvalifitseeritud isiku või edasimüüjaga.
- Hoidke kasutusjuhendit nii, et see oleks kõigile kasutajatele kättesaadav. Edastage see samuti, kui annate seadme teistele edasi.
- Ärge püüdke seadet mingil viisil muuta. Kasutage ainult tootja soovitatud lisaseadmeid ja tarvikuid.
- Kasutage seadet ainult kasutusjuhendi kohaselt. Väärkasutamine ja ebaõige käsitsemine ohustab inimesi ja vara.
- Ärge kasutage nähtavalt kahjustatud seadet. Enne iga kasutamist vaadake üle toitekaabli, pistiku, ühendatud voolikute ja korpuse seisukord. Vigased seadmed tuleb parandada või nõuetekohaselt kõrvaldada.
- Kui toitekaabel või seade on kahjustatud või tekib rike, eemaldage seade kohe vooluvõrgust.
- Laske seadet parandada ainult kvalifitseeritud spetsialistil. Ebaõiged parandused võivad põhjustada elektrilöögi või muid õnnetusi.
- Toote vooluvõrgust eemaldamiseks tõmmake pistikust, mitte toitekaablist.

- Ärge laske toitekaabli üle servade rippuda, ärge pigistage ega painutage seda.
- Kui pikenduskaabli kasutamine on vältimatu, kasutage selle seadme tehnilistele nõuetele vastavaid pikenduskaableid. Kui kasutate seadmeid õues, kasutage sobivat pikenduskaablit.

## **Pumba ohutushoiatused**

- Seade tuleb paigaldada kohalike riiklike elektripaigaldiste nõuete kohaselt.
- Pumba toide peab olema ühendatud rikkevoolukaitselülitiga (RCD) kaudu, mille rakendumisvool ei tohi ületada 30 mA.
- Vältida laste juurdepääsu asjakohaste meetmetega.
- Ärge kasutage pumpa, kui inimesed on vees.
- Ärge käituge pumpa ilma veeta.
- Veenduge, et pump ei tõmbaks veest veeloomi (nt kalu).
- Pidage meeles, et määrdeainete leke võib põhjustada vedelike reostuse.
- Kaitske elektriühendusi ja kaableid kuumuse, õli, teravate servade ja niiskuse eest.
- Kaitske pumpa külmumise ja kuivkäituse eest.
- Vältige sööbivate vedelike ja abrasiivsete materjalide pumpamist.
- Ärge kasutage toitekaablit või ujuklülitiga kaablit

seadme teiseldamiseks või kinnitamiseks. Kinnitage sukeldamiseks, tõstmiseks või kinnitamiseks käepidemele köis.

- Korrastage ja puhastage pumba välja- ja sisselaskeava vajaduse järgi.
- Ärge pumbake liiva või muid abrasiivseid aineid sisaldavaid vedelikke. See kiirendab pumba kulumist ja vähendab tootlikkust.
- Pump on mõeldud määrdunud vee jaoks, mille suspensioonilisandite läbimõõt ei ületa 25 mm.
- Pumba tohib kasutada alla 35 °C temperatuuriga vee pumpamiseks. Ärge kasutage seadet muude vedelike (süsivesinikud, õlid, söövitavad vedelikud, tuleohtlikud vedelikud jne) pumpamiseks.
- Ärge kasutage pumba külmumisohu korral.
- Seade ei ole mõeldud pidevaks kasutamiseks. Jätke see iga 1 tunni pikkuse käitamise järel 10 minutiks seisma.

### **Hädaolukord**

Tutvuge kasutusjuhendiga. Jätke ohutusjuhised meelde ja järgige neid täpselt. See aitab vältida riske ja ohte.

1. Kasutage seadet alati tähelepanelikult, et saaksite ohud varakult ära tunda ja nendega toime tulla. Kiire sekkumine võib ära hoida raskeid vigastusi ja varakahjustusi.

2. Tõrgete korral eemaldage vooluvõrgust. Enne uuesti kasutamist laske seade kvalifitseeritud spetsialistil üle vaadata ja vajaduse korral parandada.

### **Jääkriskid**

Isegi kui käitate seda seadet kõigi ohutusnõuete kohaselt, säilib võimalik vigastuste ja kahjustuste oht. Selle seadme struktuuri ja konstruktsiooni

tõttu võivad tekkida järgmised ohud.

1. Vibratsioonist tulenevad tervisekahjustused, kui seadet kasutatakse pikka aega või kui seda ei käsitseta ega hooldata nõuetekohaselt.
2. Vigastused ja varakahjustused, mis on tingitud purunenud kinnitusedetailide tõttu või kasutusaegsest kokkupõrkest varjatud esemetega.
3. Paiskuvate esemete põhjustatud vigastuste ja varakahju oht.
4. Lõhkemisoht.



**HOIATUS!** See seade tekitab käitamise ajal elektromagnetvälja. See väli võib mõnel juhul segada aktiivsete või passiivsete implantaatide tööd. Raskete või surmavate vigastuste ohu vältimiseks soovitame meditsiiniliste implantaatidega isikutel võtta enne seadme kasutamist ühendust arsti ja meditsiiniseadme tootjaga.

## **HOIATUS!**

- 1). Elektripumpa on lubatud kasutada keldris ja õues ainult juhul, kui kõik ohutuskaitsmed vastavad eeskirjadele.
- 2). Elektripumpa võib tõsta kandekäepidemest ja kitsas ruumis võib selle siduda teisaldamiseks kandekäepidemele köie.
- 3). Ärge laske pumbal kunagi koormuseta töötada.
- 4). Kui elektripump on kahjustatud või pahatahtlikult muudetud, ei saa tootja tagada, et elektripump saaks loomulikult töötada.
- 5). Pumba korpuse ja ümbrise kokkupuutepinnal on väljalaskeava. Elektripumba puhul on tavaline nähtus, et tavalise töö ajal lekib avast veidi vett.

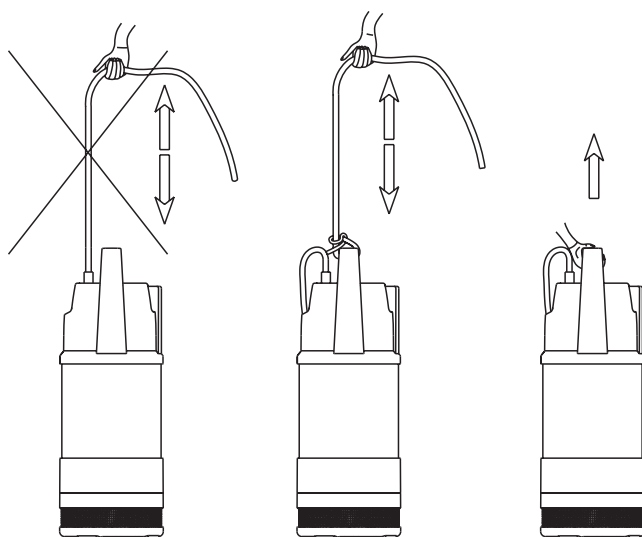
6). Vee kvaliteet võib muutuda tihendusseadmes oleva mittetoksilise õli tõttu. Me ei saa vältida elektripumba lekkeid, ükskõik kui puhas vesi ka poleks.

Tähelepanu! Kogu töö peab tegema ohutu käitamise eeskirjade kohaselt.



Pingestatud elektripumba mis tahes käsitlemine on keelatud.

Elektrivoolu lekete vältimiseks peab pump olema maandatud ja ühendatud läbi lekkevoolukaitsme, mille rakendusvool on väiksem kui 30 mA.



1	Kaabel	
2	Käepide	
3	Väljund	
4	Kaablisoon	
5	Pumba korpus	
6	Ujuklüliti	
7	Filter	
8	Põhi	
9	Põhi	
10	Pistik	

## Kasutamine

Mitmeastmeliste sukelpumpade seeria on mõeldud saastunud vee pumpamiseks, mis ei sisalda kiudaineid. Tavaliselt kasutatakse seda kodus käsitsi või automaatselt, samuti kasutatakse seda kanalisatsiooni vedeliku, vihma-, lekkevee jne pumpamiseks. Tänu oma kompaktsel kujule ja heale kasutatavusele saab elektripumpa kasutada aiatöödel või muudes tavalistes tingimustes kaasaskantava imipumbana.

Ärge kunagi kasutage sellist elektripumpa basseinis, tiigis või mahutis, kus on palju inimesi või kus on ohtlikke süsivesinikke (bensiin, diisel, kütteõli, lahusti jne), mis võivad põhjustada õnnetusi.

## Tehnilised andmed

Elektritoide	220-240V
Sisendvõimsus	1100W
Suurim vooluhulk	7000 l/h
Suurim tõstekõrgus	42 m
Kaitseklass	F
Kaitseklass	IPX8
Ümbritsev temperatuur	-5 °C kuni 40 °C
Vedeliku temperatuur	0 °C kuni 35 °C
Suurim sukeldussügavus	7 m
Suurim osakeste läbimõõt	1 mm
Väljund	G1

## **Lüliti kasutamine**

Ujklüliti käivitab ja seiskab pumba automaatselt. Elektrimootor lülitub sisse, kui veenivoo tõuseb sellise kõrguseni, et ujklüliti sisse lülitada, ja kui veenivoo langeb, lülitab ujklüliti elektrikumba automaatselt välja. Pumba küljel on kaablisoon, mida saab kasutada ujklüliti kaabli vaba pikkuse seadistamiseks.

## **Korgi kasutamine**

Vee väljalaskmiseks võtke kork põhja seest välja.

## **Tähelepanu!**

- 1). Elektripumpa ei tohiks sisse lülitada rohkem kui 20 korda minutis, et vältida elektrikumba kasutusea vähenemist elektrikumba korduva käivitamise tõttu.
- 2). Külmumisoht: kui elektrikump tuleb paigutada alla 0 °C keskkonda, tuleb elektrikumba osade kahjustamise vältimiseks tagada, et pumba sisse ei jääks vett.
- 3). Elektripump tuleb pärast saastunud tingimustes kasutamist puhta veega puhastada, et vältida sette põhjustatud ummistusi või tootlikkuse vähenemist.

## **Paigaldamine**

- 1). Kui elektrikump töötab väga saastunud olukorras, on soovitatav paigutada elektrikump sellisele kõrgusele, et pumba sisendava ei oleks ummistatud.
- 2). Kõige parem tööolukord on siis, kui elektrikump on täielikult vee all.
- 3). Elektripump peab töötama kohas, kus ujklüliti saab vabalt liikuda.

## **Elektriosade ühendamine**

- 1). Elektriosad peab ühendama ning neid peab kaitsma kohalike eeskirjade ja sildile märgitud tööpinge kohaselt. Veenduge, et elektritoide vastaks elektrimootorile.
- 2). Kui elektrikump töötab vooluallikast kaugel, peaks elektrikump töötama suurema ristlõikega toitekaabliga või elektrikump ei saa pingelanguse tõttu harilikult töötada.

- 3). Kui elektripumpa kasutatakse õues, tuleb pumba pikenduskaablina kasutada välistingimuste jaoks ette nähtud kummist kaablit.
- 4). Elektripumbal on termokaitse. Kui elektripump lülitub ülekoormuse tõttu automaatselt välja, käivitub pump pärast elektrimootori jahtumist automaatselt, kui elektritoide ei ole katkestatud.
- 5). Ärge vigastage ega klammerdage toitekaablit. Kui toitekaabel on kogemata kahjustatud või katki, ei tohi elektripumpa enam kasutada ja see tuleb lasta kutselisel või volitatud isikul parandada või välja vahetada. Tähelepanu: elektripumba sukeldussügavus on piiratud toitekaabli pikkusega.
- 6). Ärge kunagi kasutage elektripumpa, kui inimesed on vees.
- 7). Toitepistikud ja pistikupesad peavad olema kuivad.

### Hooldus ja puhastus

Elektripump ei vaja hariliku töö korral professionaalset hooldust, kuid selle peab eemaldama spetsialist. Igal juhul tohib mis tahes parandus- ja hooldustööd teha pärast elektritoite katkestamist.

Mehaaniliste õnnetuste vältimiseks veenduge enne pumba sisselülitamist, et pumba põhjas asuv sisendava oleks korralikult paigaldatud.

Parandamine ja asendamine

Kui toode läheb katki ja vajab parandamist, saatke see volitatud hoolduskeskusesse. Tootja ei vastuta volitamata isikute tehtud parandustööde tulemuste eest.

### Tõrketuvastus

TÕRGE	VÕIMALIK PÕHJUS	LAHENDUS
Pump töötab, kuid ei anna vett	A. Sisendava võre on ummistunud B. Tiivik on ummistunud või kahjustatud C. Soovitud tõstekõrgus on suurem kui pumba tõstekõrgus	A. Puhastage filter B. Eemaldage ummistus või vahetage tiivik
Pump ei käivitu ega seisku olenevalt veenivoo muutusest	Ujuklüliti ei saa vabalt liikuda	Veenduge, et ujuklüliti liiguks vabalt, ja/või seadistage kaabli vaba pikkus kaabliisoones

Vooluhulk ei ole piisav	A. Sisendava võre on ummistunud B. Tiivik või väljundtoru on ummistunud	Kõrvaldage ummistus
Pump peatub pärast lühiajalist töötamist, kuigi ujuklüliti on sisse lülitatud	Pump seiskub termokaitsme rakendumise tõttu	Mõõtke, kas elektrimootori ülekuumenemise põhjuseks on vedeliku liiga kõrge temperatuur või suur tihedus
Pump ei tööta	A. Kontrollige, kas ujukilüliti liigub vabalt B. Kontrollige, kas toitepistiku ja pistikupesa ühendus on korralik	Veenduge, et ujuklüliti liiguks vabalt, ja/või seadistage kaabli vaba pikkus kaablisoones



Läbikriipsutatud ratastel prügikonteineri tähendus

Ärge kõrvaldage elektriseadmeid koos olmejäätmetega, vaid viige need kogumispunkti.

Vajaduse korral pöörduge kogumiskeskuse leidmiseks kohaliku omavalitsuse poole.

Kui elektriseadmed viiakse prügimäele, võivad nendes olevad ohtlikud ained põhjavette lekkida ning toiduahelasse sattumisel teie tervist ja heaolu kahjustada.

Vanade seadmete asemel uute ostmise korral on edasimüüja kohustatud teie vana seadme töötlemiseks tasuta vastu võtma.

## Garantii

Me pöörame erilist tähelepanu kvaliteetsete materjalide valikule ja kasutame tootmistehnikaid, mis võimaldavad meil luua tänapäevase disaini ja vastupidavusega tooteid. Tootja annab sellele tootele (DFM883) tootmisvigade suhtes 2-aastase lisakuludeta garantii alates ostu- (kui on ostetud poest) või tarnekuupäevast (kui on ostetud veebist).

Selle garantii alusel nõude esitamiseks peate esitama ostutõendi (näiteks müügikviitungi, ostuarve või muu kehtiva õiguse kohaselt aktsepteeritava tõendi). Seetõttu hoidke ostutõendit kindlas kohas. Garantii kehtimiseks

peab ostetud toode olema müüdnud uuena, see ei kehti kasutatud või väljapanekutoodete kohta. Kui kohaldatavas õiguses ei ole sätestatud teisiti, kehtib garantii alusel väljastatud asendustoote garantii ainult esialgse garantiiaja lõpuni.

Garantii hõlmab toote rikkeid ja talitlushäireid, kui toodet kasutati ettenähtud otstarbel, kui see paigaldati, seda puhastati ja hooldati tingimustes ja kasutusjuhendis sisalduva teabe kohaselt ja tavapraktikat järgides, tingimusel et tavapraktika ei ole vastuolus kasutusjuhendiga. Garantii ei hõlma defekte ja kahjustusi, mis on põhjustatud tavalisest kulumisest ja kahjustustest, mis võivad olla tingitud toote ebaõigest kasutamisest, vigasest paigaldamisest või kokkupanekust, hooletusest, õnnetusest, väärkasutamisest või muutmisest. Kui kohaldatavast õigusest ei tulene teisiti, ei kata garantii mingil juhul lisakulusid (saatmine, demonteerimise ja uuesti paigaldamise kulud, tööjõud jne) ega otseseid ja kaudseid kahjusid.

Garantii ei hõlma defekte ja kahjustusi, mis on põhjustatud või tulenevad järgmistest asjaoludest:

- Harilik kulumine;
- Ülekoormus, väärkasutus või hooletus;
- Muude kui volitatud esindaja tehtud parandustööd;
- Iluved;
- Võõrkehadedest, ainetest või õnnetusjuhtumistest põhjustatud kahjustused;
- Juhuslik kahjustus või muudatus;
- Tootja suuniste eiramine;
- Kauba kasutamisel tekkinud kadu.

Kui toode on defektne, parandame või asendame selle mõistliku aja jooksul. Garantiikohased õigused kehtivad riigis, kus te selle toote ostsite. Garantiiga seotud päringud tuleb esitada kauplusele, kust te selle toote ostsite.

Garantii täiendab teie seadusest tulenevaid õigusi ega mõjuta neid.

EE

# EL-i nõuetele vastavuse deklaratsioon

**Meie**

**Onninen Oy**

**Address:** Satamakatu 3, FI-00160, Helsinki, Finland

**Telefon:** +358-10 53032

**kinnitame oma ainuvastutusel, et käesolev toode**

Seade: KÖRG SURVEPUMP

Mark: OPAL

Mudel/tüüp: DFM883/LKS-1100S

**vastab järgmiste direktiivide nõuetele:**

Masinadirektiiv (MD) 2006/42/EÜ

elektromagnetilise ühilduvuse direktiiv (EMC) 2014/30/EÜ

RoHS 2011/65/EU Annex II & (EU) 2015/863

**ja rakendatud on järgmisi harmoneeritud standardseid ja tehnilisi normdokumente:**

MD:

EN 60335-1:2012+A11+A13+A1+A14+A2+A15

EN IEC 60335-2-41:2021+A11

EN 62233:2008

EMC:

EN IEC 55014-1:2021

EN IEC 55014-2:2021

EN IEC 61000-3-2:2019+A1

EN 61000-3-3:2013+A1+A2

Helsinki, Finland, October 30<sup>th</sup>, 2024

Kesko Corporation Group Companies



Ville Särkilähti - General Manager

## LV

Lietošanas pamācība

Cienījamais klient!

Pateicamies par uzticēšanos mūsu izstrādājumiem!

Pirms izstrādājuma pirmās lietošanas, lūdzu, noteikti izlasiet šo lietošanas instrukciju! Šeit jūs atradīsiet informāciju par to, kā droši izmantot šo izstrādājumu un tam nodrošināt ilgu kalpošanas laiku. Pievērsiet uzmanību visām šajā dokumentā iekļautajām drošības norādēm!

## Drošības informācija

### Vispārīgi drošības brīdinājumi

- Šo ierīci nedrīkst lietot bērni. Bērni nedrīkst veikt tīrīšanu un lietotāja apkopi.
- Pirms montāžas, demontāžas vai tīrīšanas vienmēr atvienojiet ierīci no strāvas padeves.
- Ierīces var lietot personas ar ierobežotām fiziskajām, maņu vai garīgajām spējām vai ar nepietiekamu pieredzi un zināšanām, ja tās tiek uzraudzītas vai instruētas par ierīces lietošanu drošā veidā un ja tās saprot ar to saistītos apdraudējumus.
- Bērni nedrīkst spēlēties ar ierīci.
- Sūkņus bez norādes, ka tie ir aizsargāti pret sasalšanas iedarbību, nedrīkst atstāt ārā aukstā laikā.
- Uzmanību! Ja strāvas vads ir bojāts, tas jānomaina ražotājam, tā servisa pārstāvim vai līdzīgi kvalificētām personām, lai izvairītos no drošības apdraudējuma.
- Iepazīstieties ar ierīces darbību, regulēšanu un

funkcijām. Lai izvairītos no iespējamiem riskiem un apdraudējumiem, ievērojiet drošības un lietošanas instrukcijas.

- Ja pēc lietošanas instrukcijas izlasīšanas rodas jautājumi, sazinieties ar kvalificētu speciālistu vai izplatītāju.
- Uzglabāriet lietošanas instrukciju tā, lai tā būtu pieejama visiem lietotājiem. Nododiet to tālāk arī tad, kad dodat produktu citiem.
- Nemēģiniet nekādā veidā pārveidot izstrādājumu. Izmantojiet tikai ražotāja ieteiktos piederumus un papildierīces.
- Izmantojiet izstrādājumu tikai saskaņā ar šo lietošanas instrukciju. Nepareiza lietošana un nepareiza rīcība var radīt apdraudējumu cilvēkiem un īpašumam.
- Nelietojiet izstrādājumu, ja ir redzami bojājumi. Pirms katras lietošanas reizes pārbaudiet strāvas vadu, kontaktdakšu, pievienotās šļūtenes un apvalku. Bojāti izstrādājumi ir jālabo vai pienācīgi jāiznīcina.
- Nekavējoties atvienojiet izstrādājumu no strāvas padeves, ja ir bojāts vads vai izstrādājums, vai ja rodas bojājums.
- Nosūtiet izstrādājumu remontēt tikai kvalificētam speciālistam. Nepareizi veikts remonts var izraisīt elektriskās strāvas triecienu vai citus negadījumus.

- Lai atvienotu izstrādājumu no strāvas padeves, velciet kontaktdakšu, nevis strāvas vadu.
- Neļaujiet strāvas vadam karāties pāri malām, nespiediet to un nelieciet.
- Ja pagarinātāja izmantošana ir neizbēgama, izmantojiet pagarinātājus, kas atbilst šī izstrādājuma tehniskajām prasībām. Lietojot izstrādājumus ārpus telpām, izmantojiet pagarinātāju, kas piemērots lietošanai ārpus telpām.

## **Sūkņa drošības brīdinājumi**

- Iekārta jāuzstāda saskaņā ar nacionālajiem elektroinstalācijas noteikumiem.
- Sūknis jābaro, izmantojot atlikušās strāvas ierīci (RCD), kuras nominālā atlikusī darba strāva nepārsniedz 30 mA.
- Novērsiet bērnu piekļuvi ar atbilstošiem pasākumiem.
- Neizmantojiet sūkni, ja ūdenī atrodas cilvēki.
- Neiedarbiniet sūkni bez ūdens.
- Pārliedzinieties, ka sūknis neiesūc jūras iemītniekus (piemēram, zivis).
- Ņemiet vērā, ka šķidruma piesārņojums var rasties smērvielu noplūdes dēļ.
- Aizsargājiet elektriskos savienojumus un vadus no karstuma, eļļas, asām malām un mitruma.
- Pasargājiet sūkni no sala un darbības sausumā.

- Izvairieties no abrazīvu materiālu agresīvu šķidrumu cirkulācijas.
- Neizmantojiet strāvas vadu vai pludiņslēdža kabeli, lai transportētu vai nostiprinātu produktu. Piestipriniet virvi pie roktura, lai to varētu iegremdēt, pacelt vai nostiprināt.
- Ja nepieciešams, pārbaudiet un iztīriet sūkņa izplūdes un ieplūdes atveri.
- Nesūknējiet šķidrumus ar smiltīm vai citām abrazīvām vielām. Tas palielina nodilumu un samazina sūkņa jaudu.
- Sūknis ir paredzēts tīram ūdenim ar apturētu piemaisījumu diametru, kas nepārsniedz 25 mm.
- Sūknis jāizmanto ūdens sūknēšanai ar temperatūru zem 35 °C, neizmantojiet izstrādājumu citiem šķidrumiem (ogļūdeņražiem, eļļām, kodīgiem šķidrumiem, uzliesmojošiem šķidrumiem...).
- Nekad nelietojiet sūkni, ja pastāv sala draudi.
- Izstrādājums nav paredzēts ilgstošai lietošanai. Lūdzu, atpūtiniet to 10 minūtes pēc katras darbības stundas.

### **Ārkārtas situācija**

Iepazīstieties ar šī izstrādājuma lietošanu, izmantojot šo lietošanas instrukciju. Atcerieties drošības norādījumus un precīzi tos ievērojiet. Tas palīdzēs novērst riskus un apdraudējumus.

1. Lietojot šo produktu, vienmēr esiet modri, lai savlaicīgi varētu atpazīt un novērst riskus. Ātra iejaukšanās var novērst nopietnus ievainojumus un materiālos zaudējumus.

2. Ja rodas darbības traucējumi, atvienojiet no strāvas padeves. Pirms

atkārtotas ierīces lietošanas uzticiet tās pārbaudi kvalificētam speciālistam un, ja nepieciešams, to salabojiet.

### **Atlikušie riski**

Pat tad, ja jūs lietojat šo izstrādājumu saskaņā ar visām drošības prasībām, saglabājas iespējamie traumu un bojājumu riski. Saistībā ar šī izstrādājuma konstrukciju un dizainu var rasties šādas briesmas:

1. Veselības apdraudējumi, ko izraisa vibrācijas emisija, ja izstrādājums tiek lietots ilgstoši vai netiek pienācīgi pārvaldīts un pienācīgi uzturēts.
2. Traumas un materiālie bojājumi, kas radušies no salauztiem stiprinājumiem vai pēkšņa slēptu priekšmetu trieciena lietošanas laikā.
3. Bīstamība gūt traumas un nodarīt materiālos zaudējumus, ko var radīt lidojoši priekšmeti.
4. Sprādziena risks.



**BRĪDINĀJUMS!** Šis izstrādājums darbības laikā rada elektromagnētisko lauku! Šis lauks noteiktos apstākļos var traucēt aktīviem vai pasīviem medicīniskiem implantiem! Lai samazinātu nopietnu vai letālu traumu risku, mēs iesakām personām ar medicīniskiem implantiem pirms šī izstrādājuma lietošanas konsultēties ar savu ārstu un medicīnisko implantu ražotāju!

### **BRĪDINĀJUMS!**

- 1). Elektrisko sūkni ir atļauts izmantot pagrabā un dienvidu pusē tikai tad, ja visi drošības pasākumi atbilst noteikumiem.
- 2). Elektrisko sūkni var pārvietot ar pārnēsāšanas rokturi, un jūs varat arī piesiet virvi pie pārnēsāšanas roktura, lai to pārvietotu, ja to izmanto šaurā telpā.
- 3). Tas nekad nedrīkst darboties bezslodzes režīmā.
- 4). Ja elektriskais sūknis ir bojāts vai ļaunprātīgi

mainīts, ražotāji nevar nodrošināt, ka elektriskais sūkņis normāli darbosies.

5). Uz sūkņa korpusa un galvas vāka kontakta virsmas ir izplūdes gāze. Elektriskā sūkņa normāla parādība ir tā, ka normālas darbības laikā no atveres noplūst nedaudz ūdens.

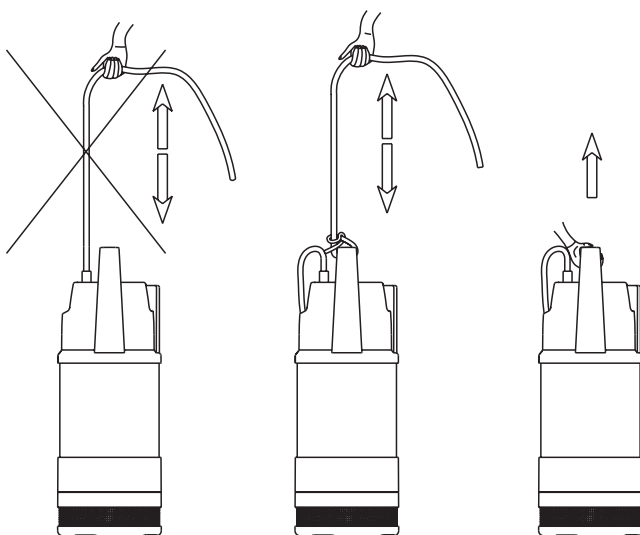
6). Ūdens kvalitāte var mainīties, jo blīvēšanas ierīcē ir netoksiska eļļa. Mēs nevaram izvairīties no elektriskā sūkņa noplūdes neatkarīgi no tā, cik tīrs ir ūdens.

**Uzmanību!** Visas darbības jāveic saskaņā ar drošas ekspluatācijas noteikumiem.



Neveiciet nekādas darbības ar elektrisko sūkni, ja vien nav pārtraukta strāvas padeve.

Lai izvairītos no elektriskās noplūdes, sūknim jābūt iezemētam un aprīkotam ar noplūdes aizsargierīci, kuras aizsardzības strāva ir mazāka par 30 mA.



1	Kabelis	
2	Rokturis	
3	Izplūdes atvere	
4	Kabeļa rievā	
5	Sūkņa korpuss	
6	Pludiņslēdzis	
7	Filtrs	
8	Pamatne	
9	Pamatne	
10	Aizbāznis	

## Lietojums

Daudzpakāpju iegremdējamo sūkņu sērija ir izstrādāta, lai sūknētu neattīrītu ūdeni, kas nesatur šķiedras. To parasti izmanto mājās manuālā vai automātiskā veidā, un to izmanto arī, lai sūknētu šķidrumu kanalizācijā, lietus ūdeni, noplūdi no gropes u. c. Tā kā elektriskais sūknis ir kompaktas formas un labi darbināms, to var izmantot dārzkopībā vai citos parastos apstākļos kā portatīvo sūkni.

Nekad nelietojiet šo elektrisko sūkni peldbaseinā, dīķī vai tvertnē, kur ir daudz cilvēku vai kur ir bīstami ogļūdeņraži (benzīns, dīzeļdegviela, dīzeļdegviela, mazuts, šķīdinātājs utt.), kas var izraisīt negadījumu.

## Tehniskie parametri

Barošanas jauda	220-240V
Ieejas jauda	1100W
Maks. plūsma	7000 l/h
Maks. augstums	42 m
Aizsardzības klase	F
Aizsardzības klase	IPX8
Apkārtējās vides temperatūra	-5 °C līdz 40 °C
Šķidruma temperatūra	0 °C līdz 35 °C
Maks. iegremdēšanas dziļums	7 m
Maks. daļiņu diametrs	1 mm
Izplūdes atvere	G1

## **Slēdža funkcija**

Pludiņslēdzis automātiski iedarbina un aptur sūkni, elektriskais sūknis ieslēdzas, kad ūdens līmenis paaugstinās līdz noteiktai pozīcijai, lai ieslēgtu pludiņslēdzi, un, kad ūdens līmeņa kritums izraisa pludiņslēdzēja izslēgšanu, elektriskais sūknis tiek automātiski izslēgts.

Sūkņa sānos ir kabeļa rievā, ko lietotāji var izmantot, lai pielāgotu pludiņa strāvas kabeļa garumu.

## **Kontaktdakšas funkcija**

Noņemiet aizbāzni no pamatnes, lai iztukšotu ūdeni.

## **Uzmanību:**

- 1). Elektrisko sūkni nevajadzētu ieslēgt vairāk nekā 20 reizes minūtē, lai izvairītos no atkārtotas elektriskā sūkņa iedarbināšanas, kas var saīsināt elektriskā sūkņa kalpošanas laiku.
- 2). Sasalšanas risks: ja elektrisko sūkni nepieciešams novietot temperatūrā zem 0°C, ir jānodrošina, lai sūknī nebūtu šķidrums, lai izvairītos no elektriskā sūkņa daļas bojājumiem.
- 3). Lai izvairītos no nogulšņu izraisītas bloķēšanas vai veiktspējas samazināšanās, elektriskais sūknis pēc lietošanas ar nogulsniem ir jānomazgā tīrā ūdenī, lai izvairītos no nogulšņu izraisītas aizsērēšanas vai veiktspējas samazināšanās.

## **Uzstādīšana**

- 1). Ja elektriskais sūknis darbojas apstākļos, kad ir daudz piemaisījumu, ieteicams novietot elektrisko sūkni noteiktā augstumā, lai sūkņa ieplūdes caurule netiktu bloķēta.
- 2). Vislabākais darba stāvoklis ir, kad elektriskais sūknis ir pilnībā zem ūdens.
- 3). Ir jānodrošina, lai elektriskais sūknis darbotos vietā, kur pludiņslēdzis var brīvi kustēties.

## Elektrisko daļu savienojums

- 1). Elektrisko daļu savienojums un aizsardzība jāveic saskaņā ar vietējiem noteikumiem, un uz datu plāksnītes ir norādīts darba spriegums, pārliedzinieties, ka barošanas avots atbilst elektromotoram.
- 2). Ja elektriskais sūknis darbojas vietā, kas atrodas tālu no strāvas avota, elektriskajam sūknim jāstrādā ar lielāku strāvas kabeli, pretējā gadījumā elektriskais sūknis nevar darboties normālā režīmā sprieguma krituma dēļ.
- 3). Ja elektrisko sūkni izmanto ārpus telpām, sūkņa pagarinātājs ir jānomaina uz gumijas kabeli, kas paredzēts izmantošanai ārpus telpām.
- 4). Elektriskajam sūknim ir paredzēts termiskais aizsargs. Ja elektriskais sūknis automātiski izslēdzas pārslodzes dēļ, sūknis ieslēdzas automātiski pēc elektromotora atdzišanas, ja vien strāvas avots nav atslēgts.
- 5). Nekad nebojājiet un nenogrieziet strāvas kabeli. Ja strāvas kabelis ir bojāts vai nejauši pārrauts, elektrisko sūkni vairs nedrīkst lietot, un jāmeklē persona, kas ir profesionāla vai pilnvarota to salabot vai nomainīt. Uzmanību: elektriskā sūkņa iegremdēšanas dziļumu ierobežo strāvas kabeļa garums.
- 6). Nekad neizmantojiet elektrisko sūkni, ja ūdenī atrodas cilvēki.
- 7). Pārliedzinieties, ka strāvas kontaktdakšas un kontaktlīdzda ir sausas.

## Apkope un tīrīšana

Normāli darbojoties, elektriskajam sūknim nav nepieciešama profesionāla apkope, taču noņemšana jāveic profesionālim. Jebkurā gadījumā viss remonts un apkope jāveic pēc strāvas padeves pārtraukšanas. Ieslēdzot sūkni, pārliedzinieties, ka sūkņa apakšdaļā ieplūdes atvere ir labi uzstādīta, lai izvairītos no mehāniskas avārijas.

### Remonts un nomaiņa

Ja izstrādājums sabojājas un tam nepieciešams remonts, nosūtiet to uz autorizēto remonta centru. Ražotājs nebūs atbildīgs par jebkādiem rezultātiem, ko izraisījis remonts bez atļaujas.

## Traucējummeklēšana

KLŪME	IESPĒJAMĀS CĒĻONIS	RISINĀJUMS
Sūknis darbojas, bet tas nepiegādā ūdeni.	A. Iesūkšanas režģis ir aizsērējis B. Darbrats ir aizsērējis vai bojāts. C. Nepieciešamais spiediens ir lielāks nekā sūkņa raksturlielums.	A. Iztīriet filtru. B. Noņemiet bloku vai nomainiet darbratu.

Sūknis neieslēdzas vai neizslēdzas atkarībā no ūdens līmeņa izmaiņām.	Pludiņslēdzis nevar brīvi šūpoties.	Pārliedziniet, ka pludiņslēdzis brīvi šūpojas, un noregulējiet kabeļa garumu ar kabeļa gropi.
Plūsmas ātrums ir nepietiekams.	A. Iesūkšanas režģis ir aizsērējis. B. Ir aizsērējis darbrats vai izplūdes caurule.	Iztīriet aizsērējumu.
Pēc neilga laika sūknis apstājas ar ieslēgtu pludiņslēdzi.	Sūknis automātiski apstājas, ja ir ieslēgts termiskais aizsargs.	Pārbaudiet, vai šķidrums temperatūra vai blīvums nav pārāk augsts, lai elektromotors pārkarstu.
Sūknis nedarbojas.	A. Pārbaudiet, vai pludiņslēdzis brīvi šūpojas. B. Pārbaudiet, vai strāvas kontaktdakšas un kontaktligzdas savienojums ir kārtībā.	Pārliedziniet, ka pludiņslēdzis brīvi šūpojas, un noregulējiet kabeļa garumu ar kabeļa gropi.



Pārsvītrotas atkritumu tvērtnes nozīme:

Nelikvidējiet elektriskas ierīces kā nešķirotus sadzīves atkritumus, nogādājiet tos atsevišķās savākšanas vietās.

Informāciju par pieejamajām savākšanas sistēmām varat noskaidrot savā pašvaldībā.

Ja elektriskas ierīces likvidē atkritumu poligonos vai izgāztuvēs, gruntsūdeņos var noplūst bīstamas vielas, un tās var nokļūt pārtikas aprītē, pasliktinot jūsu veselību un labsajūtu.

Nomainot vecās ierīces pret jaunām, mazumtirgotājam ir juridisks pienākums vismaz bez maksas pieņemt atpakaļ jūsu veco ierīci utilizācijai.

## Garantija

Mēs īpaši rūpīgi izvēlamies augstas kvalitātes materiālus un izmantojam ražošanas paņēmienus, kas ļauj mums radīt izstrādājumus, kuros apvienots dizains un izturība. Šim izstrādājumam (DFM883) ir 2 gadu ražotāja garantija pret ražošanas defektiem, sākot no iegādes datuma (ja iegādāts veikalā) vai piegādes datuma (ja iegādāts tiešsaistē), bez papildu izmaksām.

Lai iesniegtu prasību saskaņā ar šo garantiju, jums ir jāuzrāda pirkumu apliecinošs dokuments (piemēram, pirkuma kvīts, pirkuma rēķins vai cits pierādījums, kas ir pieļaujams saskaņā ar piemērojamiem tiesību aktiem); lūdzu, glabājiet pirkumu apliecinājošu dokumentu drošā vietā. Lai piemērotu šo garantiju, iegādātajam izstrādājumam jābūt jaunam, tā neattiecas uz lietotiem vai izstrādātiem izstrādājumiem. Ja vien piemērojami tiesību akti nenosaka citādi, jebkuram saskaņā ar šo garantiju izsniegtajam rezerves izstrādājumam garantija tiek piešķirta tikai līdz sākotnējā garantijas termiņa beigām.

Šī garantija attiecas uz izstrādājuma kļūmēm un darbības traucējumiem, ja izstrādājums tika izmantots tam paredzētajam mērķim un ja tas tika uzstādīts, tīrīts, kopts un uzturēts saskaņā ar šajos noteikumos un nosacījumos, lietotāja rokasgrāmatā un standarta praksē iekļauto informāciju, ja vien standarta prakse nav pretrunā ar lietotāja rokasgrāmatu.

Šī garantija neattiecas uz defektiem un bojājumiem, kas radušies normāla nolietojuma vai bojājumu rezultātā, kas varētu būt radušies nepareizas lietošanas, nepareizas uzstādīšanas vai montāžas, nolaidības, nelaiemes gadījuma, nepareizas lietošanas vai izstrādājuma pārveidošanas rezultātā. Ja vien piemērojami tiesību akti nenosaka citādi, šī garantija nekādā gadījumā nesedz papildu izmaksas (transportēšanas, pārvietošanas, noņemšanas un atkārtotas uzstādīšanas, darbaspēka u. c. izmaksas), kā arī tiešos un netiešos zaudējumus.

Šī garantija neattiecas uz defektiem un bojājumiem, kas radušies no:

- Parasts nolietojuma;
- Pārslodzes, nepareizas lietošanas vai nolaidības;
- Remontdarbiem, ko mēģina veikt jebkura cita persona, kas nav pilnvarotais pārstāvis;
- Kosmētiskiem bojājumiem;
- Kaitējuma, ko izraisa svešķermeņi, nepiederošas vielas vai nelaiemes gadījumi;
- Nejaušiem bojājumiem vai modifikācijām;
- Ražotāja norādījumu neievērošanas;
- Preču lietošanas zaudējuma.

Ja precei ir defekts, mēs saprātīgā termiņā to salabosim vai nomainīsim. Tiesības saskaņā ar šo garantiju ir īstenojamas valstī, kurā iegādājāties šo izstrādājumu. Ar garantiju saistīti jautājumi jāadresē veikalam, kurā iegādājāties šo izstrādājumu.

Garantija papildina un neietekmē jūsu likumā noteiktās tiesības.

LV

# Atbilstības deklarācija

Mēs,

**Onninen Oy**

**Adrese:** Satamakatu 3, FI-00160, Helsinki, Finland

**Tālrunis:** +358-10 53032

**uzņemoties pilnu atbildību, apliecinām, ka ražojums**

Aprīkojums: AUGSTSPIEDIENA SŪKNIS

Zīmols: OPAL

MODELS /tips: DFM883/LKS-1100S

**Atbilst**

Mašīnu direktīva (MD) 2006/42/EK,

Direktīvai 2014/30/EK par elektromagnētisko savietojamību

RoHS 2011/65/EU Annex II & (EU) 2015/863

**un šiem saskaņotajiem standartiem un tehniskajām specifikācijām:**

MD:

EN 60335-1:2012+A11+A13+A1+A14+A2+A15

EN IEC 60335-2-41:2021+A11

EN 62233:2008

EMC:

EN IEC 55014-1:2021

EN IEC 55014-2:2021

EN IEC 61000-3-2:2019+A1

EN 61000-3-3:2013+A1+A2

Helsinki, Finland, October 30<sup>th</sup>, 2024

Kesko Corporation Group Companies



Ville Särkilähti - General Manager

**LT**

Instrukcijų vadovas

Gerbiamas pirkėjas!

Dėkojame už pasitikėjimą mūsų gaminiais!

Prieš naudodami gaminį pirmą kartą, būtinai perskaitykite šias naudojimo instrukcijas! Čia pateikta informacija apie tai, kaip saugiai naudoti gaminį ir užtikrinti ilgą jo naudojimo laiką. Būtinai laikykitės visų šiame dokumente pateikiamų saugumo nurodymų!

## **Saugos informacija**

### **Bendrieji saugos įspėjimai**

- Šio prietaiso negali naudoti vaikai. Valymo ir priežiūros negali atlikti vaikai.
- Prieš montuodami, ardydami ar valydami prietaisą visada atjunkite jį nuo elektros tinklo.
- Prietaisus gali naudoti asmenys, kurių fiziniai, jutiminiai ar protiniai gebėjimai yra riboti arba kuriems trūksta patirties ir žinių, jei jie buvo prižiūrimi arba instruktuojami, kaip saugiai naudoti prietaisą, ir jei jie supranta su tuo susijusius pavojus.
- Neleiskite vaikams žaisti su prietaisu.
- Siurbliai, ant kurių nėra nuorodos, kad jie yra apsaugoti nuo užšalimo, neturi būti paliekami lauke šaltuoju metų laiku.
- Dėmesio! Jei maitinimo laidas pažeistas, jį turi pakeisti gamintojas, jo techninės priežiūros atstovas arba panašią kvalifikaciją turintis asmenys, kad būtų išvengta pavojaus saugai.
- Susipažinkite su veikimu, reguliavimu ir

funkcijomis. Laikykitės saugos ir naudojimo instrukcijų, kad išvengtumėte galimos rizikos ir pavojaus.

- Jei perskaitę naudojimo instrukciją turite klausimų, kreipkitės į kvalifikuotą specialistą arba prekybos atstovą.
- Instrukcijos vadovą laikykite taip, kad jis būtų prieinamas visiems naudotojams. Taip pat perduokite jį, kai duodate gaminį pasinaudoti kitiems asmenims.
- Jokiu būdu nebandykite modifikuoti gaminio. Naudokite tik gamintojo rekomenduojamus priedus ir papildomas detales.
- Gaminį naudokite tik vadovaudamiesi šia naudojimo instrukcija. Netinkamas naudojimas ir neteisingas valdymas kelia pavojų žmonėms ir turtui.
- Nenaudokite gaminio, jei matoma, kad gaminys pažeistas. Prieš kiekvieną naudojimą patikrinkite maitinimo laidą, kištuką, prijungtas žarnas ir korpusą. Sugedę gaminiai turi būti taisomi arba tinkamai utilizuojami.
- Jei laidas ar gaminys yra pažeistas arba įvyko gedimas, nedelsdami atjunkite gaminį nuo maitinimo šaltinio.
- Gaminio remontą gali atlikti tik kvalifikuotas specialistas. Netinkamai atliktas remontas gali sukelti elektros smūgį arba kitus nelaimingus

atsitikimus.

- Norėdami atjungti gaminį nuo maitinimo šaltinio, traukite kištuką, o ne maitinimo laidą.
- Neleiskite maitinimo laidui kaboti, jo nesuspauskite ir nelankstykite.
- Jei reikia naudoti ilgintuvą, naudokite šio gaminio techninius reikalavimus atitinkančius ilgintuvus. Jei gaminius naudojate lauke, naudokite lauko sąlygoms pritaikytą prailgintuvą.

### **Siurblio saugos įspėjimai**

- Prietaisas turi būti sumontuotas laikantis šalyje galiojančių elektros instaliacijos reglamentų.
- Siurblys turi būti maitinamas per likutinės srovės įtaisą (RCD), kurio vardinė likutinė darbinė srovė neviršija 30 mA.
- Tinkamomis priemonėmis neleiskite vaikams pasinaudoti prietaisu.
- Nenaudokite siurblio, kai vandenyje yra žmonių.
- Nenaudokite siurblio, kai nėra ką pumpuoti.
- Įsitikinkite, kad siurbliu nebus siurbiami jūros gyvūnai (pvz., žuvis).
- Turėkite omenyje, kad siurbiamas skystis gali būti užterštas dėl tepalų nuotėkio.
- Saugokite elektros jungtis ir laidus nuo karščio, alyvos, aštrių briaunų ir drėgmės.
- Saugokite siurblij nuo šalčio ir veikimo sausa eiga.

- Venkite abrazyvinių medžiagų turinčių skysčių pumpavimo.
- Nenaudokite maitinimo laido arba plūdinio jungiklio laido gaminiui transportuoti arba tvirtinti. Prie rankenos pritvirtinkite virvę, kad galėtumėte panardinti, pakelti ar pritvirtinti prietaisą.
- Kai reikia, patikrinkite ir išvalykite siurblio vandens išleidimo ir įleidimo angas.
- Nepumpuokite skysčių su smėliu ar kitomis abrazyvinėmis medžiagomis. Dėl to padidėja dėvėjimasis ir sumažėja siurblio našumas.
- Pompas skirtas špinamam vandeniui, kurio suspenduotų priemaišų skersmuo neviršija 25 mm.
- Siurblys turi būti naudojamas ne didesnės nei 35 °C temperatūros vandeniui pumpuoti, nenaudokite gaminio kitiems skysčiams (angliavandeniliams, alyvoms, koroziją sukeliantiems skysčiams, degiems skysčiams ir kt.).
- Niekada nenaudokite siurblio, kai yra vandens užšalimo rizika.
- Gaminys nėra skirtas nuolatiniam naudojimui. Po kiekvienos 1 valandos veikimo, 10-čiai minučių išjunkite siurblį.

### **Skubūs atvejai**

Susipažinkite su šio gaminio naudojimu vadovaudamiesi šia naudojimo instrukcija. Įsiminkite saugos nurodymus ir tiksliai jų laikykitės. Tai padės

išvengti rizikos ir pavojų.

1. Visada būkite budrūs naudodami šį gaminį, kad galėtumėte laiku atpažinti ir pašalinti riziką. Greita reakcija gali padėti išvengti rimtų sužalojimų ir žalos turtui.

2. Esant veikimo sutrikimams, atjunkite siurblių nuo maitinimo šaltinio. Prieš vėl pradėdami naudoti gaminį, leiskite jį patikrinti kvalifikuotam specialistui ir, jei reikia, pataisyti.

### **Liekamosios rizikos**

Net jei šį gaminį naudojate laikydamiesi visų saugos reikalavimų, išlieka galimas pavojus susižeisti ir sugadinti gaminį. Dėl šio gaminio konstrukcijos ir dizaino gali kilti šie pavojai:

1. sveikatos sutrikimai, atsirandantys dėl skleidžiamos vibracijos, jei gaminys naudojamas ilgą laiką arba nėra tinkamai valdomas ir prižiūrimas;

2. sužalojimai ir materialinė žala dėl sulūžusių papildomų detalių arba staigaus paslėptų daiktų smūgio naudojimo metu;

3. pavojus susižeisti ir sugadinti turtą dėl skraidančių objektų;

4. sprogo rizika.



**ĮSPĖJIMAS!** Šis gaminys veikimo metu sukuria elektromagnetinį lauką! Šis laukas tam tikromis aplinkybėmis gali sutrikdyti aktyvias arba pasyvias medicinos priemones! Siekiant sumažinti sunkių ar mirtinų sužalojimų riziką, rekomenduojame asmenims, turintiems medicininių priemonių, prieš naudojant šį gaminį pasikonsultuoti su gydytoju ir medicinos priemonių gamintoju!

### **ĮSPĖJIMAS:**

1). Elektrinį siurblių leidžiama naudoti rūsyje ir pusrūsyje tik tuo atveju, jei visos saugos priemonės atitinka taisykles.

2). Elektrinį siurblių galite perkelti naudodami nešiojimui skirtą rankeną, taip pat ant nešiojimo

rankenos galite užrišti virvę, kad galėtumėte jį perkelti, kai naudojate siauroje erdvėje, pvz. šulinyje.

3). Siurblys negali veikti sausąja eiga.

4). Jei elektrinis siurblys sugadintas arba neteisėtai pakeistas, gamintojai negali užtikrinti, kad elektrinis siurblys veiks įprastai.

5). Ant siurblio korpuso ir galvutės dangčio sąlyčio paviršiaus yra išleidimo anga. Elektriniam siurbliui įprasta, kad įprastai veikiant iš angos išteka šiek tiek vandens.

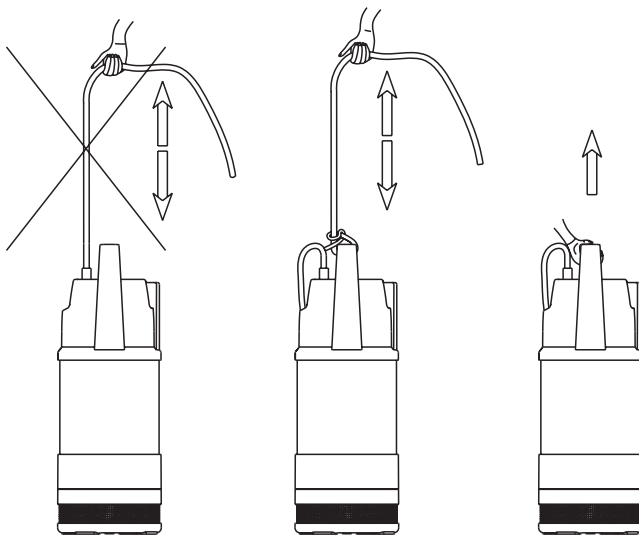
6). Vandens kokybė gali kisti dėl įrenginio sandarinimui naudotos nekenksmingos alyvos. Kad ir koks švarus būtų vanduo, elektros siurblio vandens pratekėjimo neišvengsime.

Dėmesio! Visi darbai turi būti atliekami laikantis saugaus darbo taisyklių.



Neatlikite jokių veiksmų su elektriniu siurbliu, jei elektros tiekimas nėra nutrauktas.

Siurblys turi būti įžemintas, kad būtų išvengta elektros nuotėkio, ir turi būti sumontuota apsauga nuo nuotėkio, kurios apsaugos srovė yra mažesnė nei 30 mA.



1	Kabelis	
2	Rankena	
3	Išleidimo anga	
4	Kabelio griovėlis	
5	Siurblio korpusas	
6	Plūdės jungiklis	
7	Filtras	
8	Pagrindas	
9	Pagrindas	
10	Kaištis	

### Taikymo sritis

Daugiapakopiai panardinamieji siurbliai buvo suprojektuoti nešvariam vandeniui, kuriame nėra skaidulų, pumpuoti. Paprastai jis naudojamas namuose rankiniu arba automatinu būdu, taip pat juo siurbiamas kanalizacijos, lietaus vanduo, iš griovėlio ištekėjęs skystis ir pan. Kadangi elektrinis siurblys yra kompaktiškos formos ir lengvai valdomas, jį galima naudoti sodininkystėje ar kitomis įprastomis sąlygomis kaip nešiojamąjį siurblį.

Niekada nenaudokite šio elektrinio siurblio baseine, tvenkinyje ar rezervuare, kur yra daug žmonių arba pavojingų angliavandenilių (benzino, dyzelino, mazuto, tirpiklio ir pan.), galinčių sukelti nelaimingą atsitikimą.

### Techniniai duomenys

Maitinimo šaltinis	220-240V
Įvesties galia	1100W
Didžiausias srautas	7000 l/h
Didžiausias aukštis	42 m
Apsaugos klasė	F
Apsaugos klasė	IPX8
Aplinkos temperatūra	nuo -5 °C iki 40 °C
Skysčio temperatūra	nuo 0 °C iki 35 °C
Didžiausias panardinimo gylis	7 m
Didžiausias dalelių skersmuo	1 mm
Išleidimo anga	G1

### Jungiklio funkcija

Plūdinis jungiklis automatiškai įjungia ir išjungia siurbį; elektrinis siurblys bus įjungtas, kai vandens lygis pakils iki tam tikro lygio, kad būtų įjungtas plūdinis jungiklis, o vandens lygiui nukritus plūdinis jungiklis bus išjungtas ir elektrinis siurblys išsijungs automatiškai.

Siurblio šone yra kabelio griovelis, kuriuo naudotojai gali reguliuoti plūdės maitinimo kabelio ilgį.

### Kaiščio funkcija

Išimkite kamštį iš pagrindo ir išleiskite vandenį.

## Dėmesio!

- 1). Elektrinis siurblys neturėtų būti jungiamas dažniau kaip 20 kartų per minutę, nes tai gali sutrumpinti elektrinio siurblio tarnavimo laiką.
- 2). Užšalimo pavojus: jei elektrinį siurbį reikia laikyti žemesnėje nei 0 °C temperatūroje, būtina užtikrinti, kad siurblyje neliktų skysčio, kad nebūtų pažeista elektrinio siurblio dalis.
- 3). Kad elektrinis siurblys neužsikimštų ir

nesumažėtų jo veikimas dėl nuosėdų, jį reikia išplauti švariu vandeniu.

### **Montavimas**

- 1). Jei elektrinis siurblys veikia, kai vandenyje yra daug priemaišų, siūloma elektrinį siurblį pastatyti tam tikrame aukštyje, kad neužsikimštų siurblio įsiurbimo anga.
- 2). Geriausia darbinė būseną, kai elektrinis siurblys yra visiškai po vandeniu.
- 3). Būtina užtikrinti, kad elektrinis siurblys veiktų toje vietoje, kur plūdinis jungiklis gali laisvai judėti.

### **Elektrinių dalių prijungimas**

- 1). Elektrinių dalių prijungimas ir apsauga turi būti atliekami pagal vietos taisyklės, o ant vardinės lentelės yra nurodyta darbinė įtampa, todėl įsitikinkite, kad maitinimo šaltinis atitinka elektros variklio specifikacijas
- 2). Kai elektrinis siurblys veikia toli nuo maitinimo šaltinio, elektrinis siurblys turėtų būti prijungtas didesniu maitinimo kabeliu, kitaip elektrinis siurblys negalėtų veikti įprastu režimu dėl žemesnės įtampos.
- 3). Jei elektrinis siurblys naudojamas lauke, siurblio maitinimoj kabelį reikia pakeisti guma aptrauktu kabeliu, skirtu naudoti lauke.
- 4). Elektriniame siurblyje yra šiluminė apsauga. Jei elektrinis siurblys automatiškai išsijungia dėl perkrovos, atvėsus elektros varikliui, siurblys įsijungs automatiškai, jei tik nebus nutrauktas maitinimas.
- 5). Niekada nepažeiskite ir nenupjunkite maitinimo kabelio. Kai maitinimo laidas netyčia sugadinamas arba nutraukiamas, elektrinio siurblio nebegalima naudoti ir reikia rasti specialistą ar įgaliotą asmenį, kuris galėtų jį suremontuoti arba pakeisti.  
Dėmesio: elektrinio siurblio panardinimo gylį riboja maitinimo kabelio ilgis.
- 6). Niekada nenaudokite elektrinio siurblio, kai vandenyje yra žmonių.
- 7). Įsitikinkite, kad maitinimo kištukai ir kištukinis lizdas yra sausi.

### **Priežiūra ir valymas**

Normaliai veikiančiam elektriniam siurbliui nereikalinga jokia profesionali techninė priežiūra, tačiau jo pašalinimas turi būti atliekamas specialisto. Bet kokių atveju visas remonto ir techninės priežiūros darbus reikia atlikti po to, kai siurblys yra atjungiamas nuo elektros tinklo. Įjungdami siurblį įsitikinkite, kad siurblio apačioje esanti įleidimo anga yra gerai sumontuota, kad būtų išvengta mechaninio nelaimingo atsitikimo. Remontas ir keitimas

Jei gaminys sugenda ir jį reikia remontuoti, siųskite jį į įgaliotąjį remonto centrą. Gamintojas neatsako už bet kokias pasekmes, atsiradusias dėl remonto be patvirtinimo.

### **Trikčių šalinimas**

GEDIMAS	GALIMA PRIEŽASTIS	TAISYMAS
Siurblys veikia, bet vanduo netiekiamas.	A. Užsikimšo įsiurbimo tinklelis B. Užsikimšusi arba pažeista sparnuotė. C. Reikalingas tiekimo aukštis yra didesnis nei nurodyta siurblio techninėje specifikacijoje.	A. Išvalykite filtra. B. Išvalykite, kad atkimštumėte arba pakeiskite sparnuotę.
Siurblys neįsijungia ir neišsijungia priklausomai nuo vandens lygio pokyčių.	Plūdinis jungiklis negali būti laisvai judėti.	Įsitikinkite, kad plūdinis jungiklis gali judėti laisvai, ir sureguliuokite kabelio ilgį pagal kabelio griovelį.
Srautas yra nepakankamas.	A. Užsikimšo įsiurbimo tinklelis. B. Užsikimšusi sparnuotė arba išleidimo žarna.	Išvalykite, kad atkimštumėte.
Įjungus plūdinį jungiklį, po trumpo veikimo laiko siurblys nustoja veikti.	Siurblys automatiškai sustoja, jei įsijungia šiluminė apsauga.	Patikrinkite, ar skysčio temperatūra arba jo tankis nėra per dideli, kad elektros variklis neperkaistų.
Siurblys neveikia.	A. Patikrinkite, ar plūdinis jungiklis laisvai juda. B. Patikrinkite, ar gerai sujungti maitinimo kištukas ir lizdas.	Įsitikinkite, kad plūdinis jungiklis gali judėti laisvai, ir sureguliuokite kabelio ilgį pagal kabelio griovelį.



Perbrauktos šiukšliadėžės su ratukais reikšmė: elektriniai prietaisai negali būti utilizuojami kaip nerūšiuotos komunalinės atliekos. Juos reikia nugabenti į atskirą surinkimo punktą.

Kreipkitės į vietos valdžios institucijas, kad gautumėte informacijos apie galimus atliekų surinkimo punktus.

Jei elektros prietaisai yra išmetami į sąvartynus ar šiukšlynus, pavojingos medžiagos gali patekti į požeminį vandenį ir pakliūti į maisto grandinę, taip pakenkdamos jūsų sveikatai ir gerovei.

Keičiant senus prietaisus naujais, mažmenininkas yra teisiškai įgaliotas bent jau nemokamai priimti jūsų seną prietaisą utilizavimui.

## **GARANTIJA**

Ypač kruopščiai renkamės aukštos kokybės medžiagas ir naudojame gamybos būdus, kurie suteikia mums galimybę kurti gaminius, pasižyminčius dizainu ir ilgaamžiškumu. Šiam gaminiui (DFM883) gamintojas suteikia 2 metų garantiją nuo įsigijimo (jei pirktas parduotuvėje) arba pristatymo (jei pirktas internetu) dienos be jokių papildomų išlaidų. Norėdami pareikšti pretenziją pagal šią garantiją, turite pateikti įsigijimo įrodymą (pvz., pirkimo kvitą, pirkimo sąskaitą faktūrą arba kitą pagal galiojančius įstatymus priimtina įrodymą). Kad ši garantija būtų taikoma, įsigytas gaminytis turi būti naujas, ji netaikoma naudotiems ar gaminiams, kurie buvo eksponuojami. Jei galiojančiuose teisės aktuose nenumatyta kitaip, bet kokiam pagal šią garantiją išduotam pakaitiniam gaminiui garantija suteikiama tik iki pirminės garantijos laikotarpio pabaigos. Ši garantija apima gaminio gedimus ir sutrikimus, jei gaminytis buvo naudojamas pagal paskirtį ir buvo montuojamas, valomas, prižiūrimas ir remontuojamas laikantis šiose sąlygose, naudotojo vadove pateiktos informacijos bei taikant standartinę naudojimo praktiką, jei standartinė praktika neprieštarauja naudotojo vadovui.

Ši garantija neapima defektų ir pažeidimų, atsiradusių dėl įprasto nusidėvėjimo ar pažeidimų, kurie gali atsirasti dėl netinkamo naudojimo, netinkamo montavimo ar surinkimo, aplaidumo, nelaimingo atsitikimo, neteisingo naudojimo ar gaminio modifikavimo. Jei galiojančiuose teisės aktuose nenumatyta kitaip, ši garantija jokia būdu neapima papildomų išlaidų (siuntimo, pervežimo, išmontavimo ir pakartotinio sumontavimo, darbo ir kt.), taip pat tiesioginės ir netiesioginės žalos.

Ši garantija netaikoma defektams ir žalai, atsiradusiems dėl:

- Įprasto nusidėvėjimo;
- Perkrovos, netinkamo naudojimo arba aplaidumo;
- Remonto, kurį atliko ne įgaliotasis atstovas;
- Kosmetinė žalos;
- Žalos sukeltos pašalinių objektų, medžiagų arba nelaimingų atsitikimų;
- Atsitiktinio sugadinimo arba modifikavimo;

- Gamintojo nurodymų nesilaikymo;
  - Nebegalėjimo naudotis prekėmis.
- Jei gaminys yra sugedęs, per pagrįstą laiką jį pataisysime arba pakeisime. Teisės pagal šią garantiją įgyvendinamos toje šalyje, kurioje įsigijote šį gaminį. Su garantija susijusias užklaudas reikėtų adresuoti parduotuvei, kurioje įsigijote šį gaminį. Garantija papildo jūsų įstatymuose numatytas teises ir jų nepažeidžia.

LT

# ES atitikties deklaracija

Mes,

**Onninen Oy**

**Adresas:** Satamakatu 3, FI-00160, Helsinki, Finland

**Telefonas:** +358-10 53032

**atsakingai pareiškiame, kad toliau nurodytas gaminys**

Įranga: AUKŠTO SLĖGIO SIURBLYS  
Markės pavadinimas OPAL  
Modelis / tipas: DFM883/LKS-1100S

## Atitinka

Mašinų direktyva (MD) 2006/42/EB,  
Elektromagnetinio suderinamumo direktyva (EMC) 2014/30/EB  
RoHS 2011/65/EU Annex II & (EU) 2015/863

**bei toliau nurodytus darniuosius standartus ir technines specifikacijas:**

MD:

EN 60335-1:2012+A11+A13+A1+A14+A2+A15  
EN IEC 60335-2-41:2021+A11  
EN 62233:2008

EMC:

EN IEC 55014-1:2021  
EN IEC 55014-2:2021  
EN IEC 61000-3-2:2019+A1  
EN 61000-3-3:2013+A1+A2

Helsinki, Finland, October 30<sup>th</sup>, 2024  
Kesko Corporation Group Companies



Ville Särkilähti - General Manager

Manual instructions material /  
Ohjekirjan materiaali /  
Instruktionsmaterial /  
Håndbok instruksjonsmateriale /  
Juhendmaterjal /  
Lietošanas norādījumi /  
Naudojimo vadovo medžiaga



Manufactured for • Valmistuttaja • Tillverkad för • Produsert for • Toodetud  
• Ražošanas pasūtītājs • Kieno užsakymu pagaminta • Wyprodukowano dla  
• Onninen Oy, Työpajankatu 12, FI- 00580 Helsinki. Made in China.