

# OPAL

## User Manual

### Booster Set

### DFM882



English	2 - 16
Finnish	17 - 31
Swedish	32 - 46
Norwegian	47 - 61
Estonian	62 - 76
Latvian	77 - 91
Lithuanian	92 - 106

## **General safety warnings (GB)**

- This appliance can be used by children aged from 8 years and above and persons with reduced physical, sensory or mental capabilities or lack of experience and knowledge if they have been given supervision or instruction concerning use of the appliance in a safe way and understand the hazards involved. Cleaning and user maintenance shall not be carried out by children unless they are aged from 8 years and above and supervised.
- Always disconnect the appliance from the supply before assembling, disassembling or cleaning.
- Appliances can be used by persons with reduced physical, sensory or mental capabilities or lack of experience and knowledge if they have been given supervision or instruction concerning use of the appliance in a safe way and if they understand the hazards involved.
- Children shall not play with the appliance.
- Pumps without indication that they are protected against the effect of freezing shall not be left outside during freezing weather conditions.
- Attention! If the power cord is damaged, it must be replaced by the manufacturer, its service agent or similarly qualified persons in order to avoid a safety hazard.
- Familiarise yourself with the operation, adjustments and functions. Follow the safety and

operation instructions in order to avoid possible risks and hazards.

- Contact a qualified person or your dealer if you have questions after reading the instruction manual.
- Store the instruction manual so that it is accessible for all users. Also relay it when giving the product to others.
- Do not attempt to modify the product in any way. Only use attachments and accessories recommended by the manufacturer.
- Use the product only in accordance with this instruction manual. Misuse and incorrect handling will lead to hazards for people and property.
- Do not use the product if damage is visible. Check the power cord, plug, attached hoses and casing before each use. Faulty products must be repaired or properly disposed of.
- Disconnect the product from the power supply immediately if the cord or the product is damaged or if a breakdown occurs.
- Have the product repaired only by a qualified specialist. Improper repairs can lead to electric shocks or other accidents.
- Pull the plug rather than the power cord to disconnect the product from the power supply.
- Do not let the power cord hang over edges, do

not squeeze or bend it.

- Use extensions cords that correspond with the technical requirements of this product if using an extension cord is unavoidable. When operating products outdoors, use an extension cord suitable for outdoor use.

## **Pump safety warnings**

- The appliance shall be installed in accordance with national wiring regulations.
- The pump is to be supplied through a residual current device (RCD) having a rated residual operating current not exceeding 30 mA.
- Prevent access of children with appropriate measures.
- Do not use the pump when people are in the water.
- Do not operate the pump without water.
- Make sure that no marine animals (e.g. fish) are extracted by the pump.
- Have in mind that pollution of the liquid could occur due to leakage of lubricants.
- Protect the electrical connections and cords from heat, oil, sharp edges and moisture.
- Protect the pump from frost and running dry.
- Avoid circulation of aggressive fluids of abrasive materials.
- Do not use the power cord to transport or

secure the product. Fix a rope to the handle for submerging, lifting or securing.

- Check and clean the outlet and the inlet of the pump when needed.
- Do not pump liquids with sand or other abrasive substances. It causes increased wear and reduces the pumps output.
- The product is designed for clear water with a diameter of suspended impurities not exceeded 1 mm.
- The pump should be used for pumping water temperature below 35°C, do not use the product for other liquids (hydrocarbons, oils, corrosive liquids, flammable liquids...).
- Never use the pump when there is the danger of frost occurring.
- The product is not designed for continuous use. Please rest it for 10 minutes after each 1 hour of running.

### **Emergency**

Familiarise yourself with the use of this product by means of this instruction manual. Memorise the safety directions and follow them to the letter. This will help to prevent risks and hazards.

1. Always be alert when using this product, so that you can recognise and handle risks early. Fast intervention can prevent serious injury and damage to property.
2. Disconnect from the power supply if there are malfunctions. Have the product checked by a qualified professional and repaired, if necessary, before you operate it again.

## Residual risks

Even if you are operating this product in accordance with all the safety requirements, potential risks of injury and damage remain. The following dangers can arise in connection with the structure and design of this product:

1. Health defects resulting from vibration emission if the product is being used over long periods of time or not adequately managed and properly maintained.
2. Injuries and damage to property due to broken attachments or the sudden impact of hidden objects during use.
3. Danger of injury and property damage caused by flying objects.
4. Risk of bursting.



**WARNING!** This product produces an electromagnetic field during operation! This field may under some circumstances interfere with active or passive medical implants! To reduce the risk of serious or fatal injury, we recommend persons with medical implants to consult their doctor and the medical implant manufacturer before operating this product!

## 1. Applications

It is applicable to household water supply, equipment support, well water lifting, pipeline pressurization, garden watering, vegetable greenhouse watering, fish farming and poultry raising, etc..

Transfer clean water and other non-corrosive liquids with low viscosity; do not transport inflammable, explosive, gasified liquids and liquids containing solid particles or fibers. The liquid PH value shall be between 6.5 and 8.5.

### Remark:

The pump can work automatically, equipped with pressure tank, pressure switch and other necessary parts. Function features of the automatic pump are as follows: when the power is on, turn on the water tap and the pump will start working automatically; when the water tap is turned off, the pump will stop working automatically. If a water tower is used along with the automatic pump, connect to the upper limit switch and the pump

will start or stop working automatically with water level in the water tower.

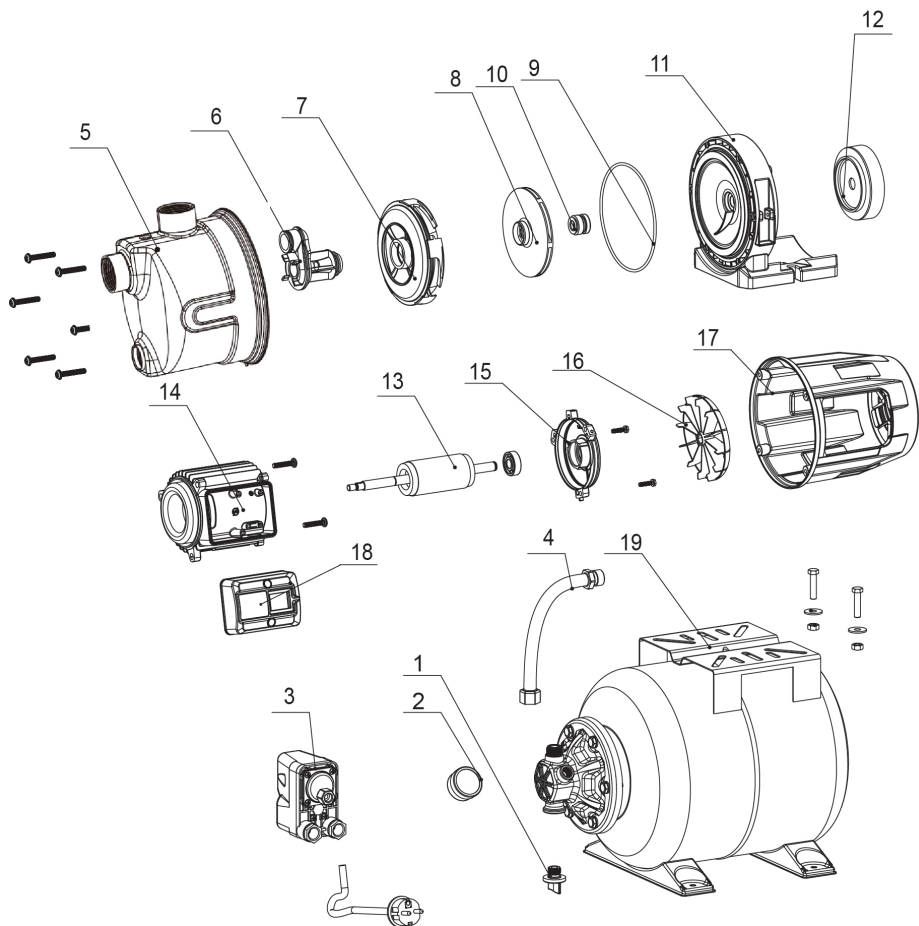
## 2. Technical Data

Model number	DFM882
Max. flow	3.6m <sup>3</sup> /h
Max. head	40m
Input power	800W
Max. suction	7m
Protection class	IPX4
Insulation class	F
Max. water temperature	+35 °C

## 3. Safety Precautions

- 1) To ensure normal and safety operation of the electric pump, read the manual carefully before use.
- 2) To avoid electric shock, make sure the pump is safely grounded and equipped with an earth leakage circuit breaker. Do not get the plug wet and do not use any socket in an area with high humidity.
- 3) Do not touch the electric pump while working; do not wash, swim near working area or let livestock into the water to avoid accidents.
- 4) Avoid splashing pressured water to the electric pump. Do not immerse the pump in water.
- 5) Keep the pump in a well-ventilated place.
- 6) If the environment temperature is below 4°C or after long period of non-use, the liquid inside shall be discharged for freeze and frost protection.
- 7) The pumped liquid may be hot and under high pressure, before moving and disassembling the pump. Valves in both sides of the pump should be turned off first and then empty liquids in the pump and pipelines so as not to be scalded.
- 8) Never use the pump to transport inflammable, gasifying or explosive liquid that exceeds the specified liquids in this manual.
- 9) The power supply should be in accordance with the voltage stated in the nameplate. If the pump is not be used for a long time, empty it completely, wash it with clean water and store it in a dry, well-aired place.

## 4. Product



POS.	Part	POS.	Part
1	Plug	11	Motor flange
2	Gauge	12	Front plate
3	Pressure switch	13	Rotor
4	Flexible tube	14	Stator
5	Pump body	15	Rear cover
6	Injector	16	Fan
7	Diffuser	17	Motor cover
8	Impeller	18	Switch box
9	O-ring	19	Tank
10	Mechanical seal		

## 5. Pipeline Installation



This product shall be installed and maintained by a qualified person who is proficient with this instruction. The installation and operation must be in accordance with local regulations and the recognized operation criteria.

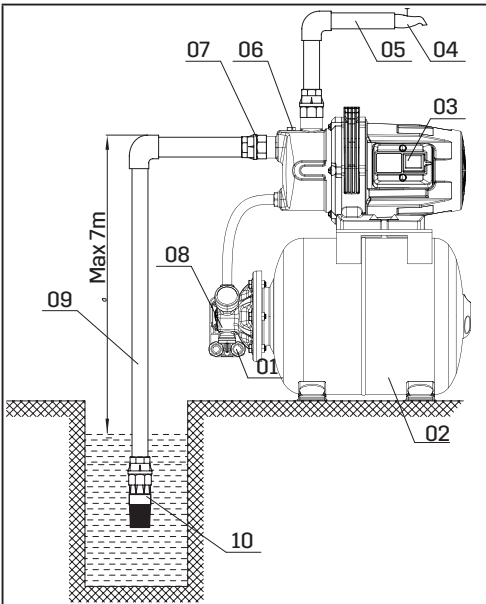
Install the pipeline properly according to the requirement of this instruction, and protect it from freezing.

1. Make the inlet pipeline as short as possible and keep bends as few as possible during installation. Keep the pump in a dry and well-ventilated place. In condition of outdoor installation outdoor, make sure the pump is properly protected by weather-proof covering.
2. Installation of valves on inlet and outlet pipelines is necessary. The valve installed on inlet pipeline shall be one-way valve.

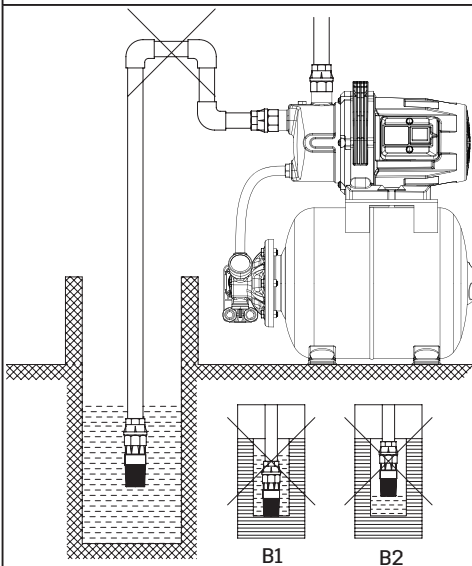


Max. Water Temperature: 35°C

Min. Water Temperature: 4°C



Correct Installation Diagram A



Incorrect Installation Diagram B

A:

- |                  |                    |
|------------------|--------------------|
| 1. Drain Plug    | 6. Filling plug    |
| 2. Tank          | 7. Tie-in          |
| 3. Electric pump | 8. Pressure switch |
| 4. Water tap     | 9. Inlet pipe      |
| 5. Outlet pipe   | 10. Foot valve     |

B: Notes for inlet pipeline installation:

- 1) Do not use soft rubber tube for inlet pipeline during pump installation.
- 2) The bottom valve shall be vertically installed with a distance of 30 cm from the water bottom to avoid suction of sediment (A2).
- 3) All connections of the inlet pipeline must be sealed. To ensure water suction, it's necessary to reduce the quantity of bents of the pipeline.
- 4) The diameter of inlet pipeline must not be less than that of the pump inlet to avoid big hydraulic loss and small water flow.
- 5) Pay attention to the water level during operation. The bottom valve shall not be above the water surface (A1);
- 6) In case the inlet pipeline is more than 10m in length or over 4 m in hoisting height, the diameter of the inlet pipeline must be bigger than that of the pump inlet.
- 7) Make sure that the pump is not affected by the pipeline pressure during pipeline installation.
- 8) It is recommended to install a filter on inlet pipeline to avoid incoming of solid particles to the electric pump.
- 9) Before first operation, the inlet pipeline must be fully filled with water and installed with a bottom valve.

Note for outlet pipeline installation:

The diameter of the outlet pipeline shall be not less than that of the pump outlet to reduce the pressure drop, high flow rate and noise to the lowest level.

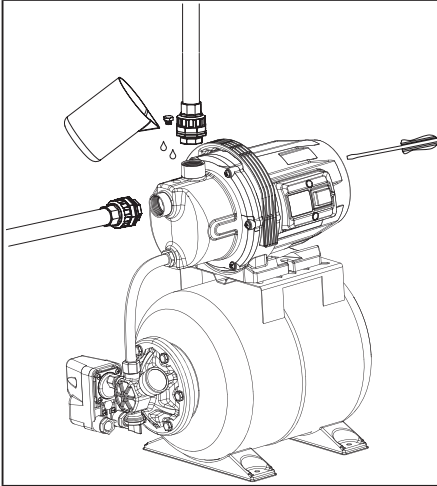
## 6. Start-up and Maintenance



Do not switch on the pump if the pump chamber is not fully filled with water.

Do not touch the electric pump unless the power of pump is cut off for over 5 minutes.

Do not remove the pump bonnet unless the water in pump chamber is completely drained.



Stir the fan with a screwdriver to check if the pump rotates flexibly before startup.

Remove the filling plug and prime the pump chamber fully with clean water, then screw the filling plug. Keep the valve wide opened during startup. When the pump runs normally, adjust the valve to the required flow (The range of flow and head is shown on the nameplate).

### Note:

- 1) If no water can be pumped in 5 minutes after the pump is filled with water and started up, turn off and refill the pump, or check the leakage of inlet pipelines, then restart the pump.
- 2) For frost and freeze protection, remove the discharge plug on the air tank and drain the water in the pump chamber completely. Before restart the pump, it's necessary to remove the filling plug, fill the pump fully with water, and then screw the filling plug.
- 3) In case of no use for a long time, discharge the water in the pump chamber and store the pump in a dry, well-ventilated place.
- 4) If the ambient temperature is high, make sure the pump works in a well ventilated place to avoid electrical faults caused by dew on electrical parts.
- 5) In case of overheat or abnormal operation of the pump motor, cut off the power supply immediately, and check the faults according to the following form.

## 7. Troubleshooting



Check the pump after power cut-off.

Symptom	Cause	Corrective Action
The motor cannot be started	Single-phase power supply (three-phase electric motor): a. poor connection of the power switch; b. fuse is burned out; c. loose power lead; d. phase failure of the cable.	a. repair switch contact or replace the switch; b. replace the safety fuse; c. check and tighten the power connector; d. repair or replace cables.
	Capacitor is burned out.	Replace with a same type capacitor (send to the maintenance point for repair).
	The rotating shaft and bearing are jammed.	Replace the bearing (send to the maintenance point for repair).
	Impeller is jammed.	Turn rotating shaft of the fan blade terminal with screw driver to let it rotate flexibly or demount the pump body to clear sundries.
	Stator winding is damaged.	Replace winding coils (send to the maintenance point for repair).

The motor is in operation, but no water is discharged	Incorrect direction of pump rotation.	Invert two-phase wirings of the motor (three-phase motor).
	The pump is not fully filled with water.	Re-fill the pump with water.
	The impeller is damaged.	Replace the impeller (send to the maintenance point for repair).
	Leakage of the suction pipe.	Check sealing of various joints of the inlet pipelines.
	Water level is too low.	Adjust installation height of the pump.
	Freeze caused by accumulated water in the pipeline or the chamber.	Start up the pump after ice is melted.
	Water that is too hot can result in the failure of plastic parts.	Replace the damaged parts (send to the maintenance point for repair)
Insufficient pressure	Incorrect pump type.	Select suitable model.
	The inlet pipeline is too long or with too many bends, or/and pipe diameter is not selected as required.	Apply the pipe with the stipulated diameter, and make the inlet pipe short.
	Inlet pipeline, filter screen or pump chamber is blocked by foreign materials.	Clean pipeline, foot valve or pump chamber, clear foreign materials.
Motor works intermittently or the stator winding is burned out	The impeller is jammed or in overload operation for a long time.	Clear foreign materials in the pump chamber; operate the pump under the rated flow.
	Incorrect grounding, broken cable or the electric pump is struck by lightning.	Properly grounded, replace the broken cable, and replace winding coils.



Meaning of crossed –out wheeled dustbin:

Do not dispose of electrical appliances as unsorted municipal waste, use separate collection facilities.

Contact you local government for information regarding the collection systems available.

If electrical appliances are disposed of in landfills or dumps, hazardous substances can leak into the groundwater and get into the food chain, damaging your health and well-being.

When replacing old appliances with new ones, the retailer is legally obligated to take back your old appliance for disposals at least free of charge.

## **Guarantee**

We take special care to select high quality materials and use manufacturing

techniques that allow us to create products incorporating design and durability. This product (DFM882) has a manufacturer's guarantee of 2 years against manufacturing defects, from the date of purchase (if bought in store) or date of delivery (if bought online), at no additional cost.

To make a claim under this guarantee, you must present your proof of purchase (such as a sales receipt, purchase invoice or other evidence admissible under applicable law), please keep your proof of purchase in a safe place. For this guarantee to apply, the product you purchased must be new, it will not apply to second hand or display products. Unless stated otherwise by applicable law, any replacement product issued under this guarantee will only be guaranteed until expiry of the original guarantee period.

This guarantee covers product failures and malfunctions provided the product was used for the purpose for which it is intended and subject to installation, cleaning, care and maintenance in accordance with the information contained in these terms and conditions, in the user manual and standard practice, provided that standard practice does not conflict with the user manual.

This guarantee does not cover defects and damage caused by normal wear and tear or damage that could be the result of improper use, faulty installation or assembly, neglect, accident, misuse, or modification of the product. Unless stated otherwise by applicable law, this guarantee will not cover, in any case, ancillary costs (shipping, movement, costs of

uninstalling and reinstalling, labour etc), or direct and indirect damage. This guarantee does not cover defects and damage caused by or resulting from:

- Normal wear and tear
- Overload, misuse or neglect
- Repairs attempted by anyone other than an authorised agent
- Cosmetic damage
- Damage caused by foreign objects, substances or accidents
- Accidental damage or modification
- Failure to follow manufacturer's guidelines
- Loss of use of the goods

If the product is defective, we will, within a reasonable time, repair or replace it. Rights under this guarantee are enforceable in the country in which you purchased this product. Guarantee related queries should be addressed to the store you purchased this product from.

The guarantee is in addition to and does not affect your statutory rights.

GB

# EU Declaration of Conformity

We,

**Onninen Oy**

**Address:** Satamakatu 3, FI-00160, Helsinki, Finland

**Telephone:** +358-10 53032      **Fax:** +358-9 857 4783

**declare under our sole responsibility that the following product**

Equipment: Booster Set

Brand name: OPAL

Model/type: DFM882/EKJ-803SSA

**is in conformity with the**

Machinery Directive (MD) 2006/42/EC

Electromagnetic Compatibility Directive (EMC) 2014/30/EU

RoHS 2011/65/EU Annex II & (EU) 2015/863

**and the following harmonized standards and technical specifications have been applied:**

MD:

EN 60335-1:2012+A11+A13+A1+A14+A2+A15

EN IEC 60335-2-41:2021+A11

EN 62233:2008

EMC:

EN IEC 55014-1:2021

EN IEC 55014-2:2021

EN IEC 61000-3-2:2019+A1

EN 61000-3-3:2013+A1+A2

Helsinki, Finland, October 30<sup>th</sup>, 2024

Kesko Corporation Group Companies



Ville Särkilahti - General Manager

# Turvallisuustietoja (FI)

## Yleiset turvavaroitukset

- Tätä laitetta voivat käyttää vähintään 8-vuotiaat lapset sekä henkilöt, joiden fyysiset, aistilliset tai henkiset kyvyt ovat heikentyneet tai joilla ei ole kokemusta ja tietoja, jos heitä valvotaan tai opastetaan laitteen turvallisesta käytöstä ja he ymmärtävät siihen liittyvät vaarat. Lapset eivät saa suorittaa siivousta ja käyttäjähuoltoa, elleivät he ole vähintään 8-vuotiaita ja ellei heitä valvota.
- Irrota laite aina sähköverkosta ennen laitteen kokoamista, purkamista tai puhdistamista.
- Laitteita voivat käyttää henkilöt, joiden fyysiset, sensoriset tai henkiset kyvyt ovat heikentyneet tai joilla ei ole riittävästi kokemusta tai tietoa, jos heitä valvotaan tai heitä on opastettu laitteen turvallisessa käytössä, ja jos he ymmärtävät siihen liittyvät vaarat.
- Älä anna lasten leikkiä laitteella.
- Pumppuja, joissa ei ole merkintää suojauksesta jäätymisen vaikutuksilta, ei saa jättää ulos pakkasella.
- Huomio! Valmistajan, valtuutetun huoltoedustajan tai muun pätevän henkilön on vaihdettava vaurioitunut virtajohto, jotta turvallisuusriski voidaan välttää.
- Tutustu laitteen toimintaan, säätöihin ja toimintoihin. Noudata turvallisuus- ja

käyttöohjeita mahdollisten riskien ja vaarojen välttämiseksi.

- Ota yhteyttä pätevään henkilöön tai jälleenmyyjään, jos sinulla on kysyttävää vielä käyttöohjeen lukemisen jälkeen.
- Säilytä käyttöopasta kaikkien käyttäjien saatavilla. Anna se mukaan myös silloin, kun annat tuotteen muiden käyttöön.
- Älä yritä muuttaa tuotetta millään tavalla. Käytä vain valmistajan suosittelemia lisälaitteita ja lisävarusteita.
- Käytä tuotetta vain tämän käyttöohjeen mukaisesti. Väärinkäyttö ja virheellinen käsittely aiheuttavat vaaraa ihmisille ja omaisuudelle.
- Älä käytä tuotetta, jos siinä on näkyviä vaurioita. Tarkista virtajohto, pistoke, kiinnitetyt letkut ja kotelo ennen jokaista käyttökertaa. Violliset tuotteet on korjattava tai hävitettävä asianmukaisesti.
- Irrota tuote virtalähteestä välittömästi, jos johto tai tuote on vaurioitunut tai jos se vikaantuu.
- Jätä tuotteen korjaus vain pätevän asiantuntijan tehtäväksi. Virheelliset korjaukset voivat aiheuttaa sähköiskuja tai muita onnettomuuksia.
- Irrota tuote virtalähteestä vetämällä pistokkeesta, ei virtajohdosta.
- Älä anna virtajohdon roikkua reunojen yli, äläkä purista tai taivuta sitä.

- Käytä jatkojohtoja, jotka vastaavat tämän tuotteen teknisiä vaatimuksia, jos jatkojohdon käyttö on välttämätöntä. Kun käytät tuotteita ulkona, käytä ulkokäyttöön soveltuvaa jatkojohtoa.

## **Pumpun turvallisuusvaroitukset**

- Laite on asennettava kansallisten johdotusmääräysten mukaisesti.
- Virta pumppuun on syötettävä vikavirtasuojakytkimen kautta, jonka nimellinen laukaisuvirta on enintään 30 mA.
- Estä käyttö lapsilta asianmukaisin toimenpitein.
- Älä käytä pumppua, kun vedessä on ihmisiä.
- Älä käytä pumppua ilman vettä.
- Varmista, että pumppu ei ime merieläimiä (esim. kaloja).
- Muista, että nesteiden pilaantuminen voi johtua voiteluaineiden vuotamisesta.
- Suojaa sähköliitännöitä ja johtoja kuumuudelta, öljyltä, teräviltä reunoilta ja kosteudelta.
- Suojaa pumppua pakkaselta ja kuivumiselta.
- Vältä aggressiivisten nesteiden tai hankaavien materiaalien pumppaamista.
- Älä käytä virtajohtoa tuotteen kuljettamiseen tai kiinnittämiseen. Kiinnitä köysi kahvaan upottamista, nostamista tai kiinnittämistä varten.
- Tarkista ja puhdista pumpun ulostulo- ja

sisääntuloaukko tarvittaessa.

- Älä pumpppaa nesteitä, joissa on hiekkaa tai muita hankaavia aineita. Se lisää kulumista ja vähentää pumpun tehoa.
- Tuote on suunniteltu käytettäväksi kirkaassa vedessä, jossa veden sisältämien kiinteiden epäpuhtauksien koko on enintään 1 mm.
- Pumpppua käytetään veden pumpppaamiseen alle 35 °C:n lämpötilassa. Älä käytä tuotetta muiden nesteiden pumpppaamiseen (hiilivedyt, öljyt, syövyttävät nesteet, palavat nesteet...).
- Älä koskaan käytä pumpppua, kun on olemassa pakkasvaara.
- Tuotetta ei ole suunniteltu jatkuvaan käyttöön. Lepää sitä 10 minuuttia jokaisen 1 tunnin juoksun jälkeen.

### **Hätäpalvelu**

Tutustu tuotteen käyttöön tämän käyttöohjeen avulla. Opettele turvallisuusohjeet ulkoa ja noudata niitä kirjaimellisesti. Tämä auttaa ehkäisemään riskejä ja vaaroja.

1. Ole aina valppaana, kun käytät tätä tuotetta, jotta voit tunnistaa riskit ja käsitellä niitä ajoissa. Nopea toiminta voi estää vakavia loukkaantumisia ja omaisuusvahinkoja.

2. Irrota laite virtalähteestä, jos laitteessa ilmenee toimintahäiriöitä.

Tarkastuta tuote pätevällä ammattilaisella ja korjaa tarvittaessa, ennen kuin käytät laitetta uudelleen.

### **Jäännösriskit**

Vaikka käyttäisit tätä tuotetta kaikkien turvallisuusvaatimusten mukaisesti, loukkaantumis- ja vahingoittumisvaara on edelleen olemassa. Seuraavat vaarat voivat liittyä tämän tuotteen rakenteeseen ja malliin:

1. Tärinäpäästöistä johtuvat terveyshaitat, jos tuotetta käytetään pitkään tai jos sitä ei hoideta ja huolleta asianmukaisesti.

2. Loukkaantumiset ja omaisuusvahingot, jotka johtuvat kiinnikkeiden rikkoutumisesta tai piilossa olevien esineiden äkillisestä osumasta käytön aikana.
3. Lentävien esineiden aiheuttama loukkaantumis- ja omaisuusvahinkovaara.
4. Murtumisvaara.



**VAROITUS!** Tämä tuote tuottaa käytön aikana sähkömagneettisen kentän! Tämä kenttä voi joissakin olosuhteissa häiritä aktiivisia tai passiivisia lääketieteellisiä implantteja! Vähentääksesi vakavan tai kuolemaan johtavan loukkaantumisen riskiä, suosittelemme, että henkilöt, joilla on lääketieteellisiä implantteja, keskustelevat lääkärinsä ja implanttivalmistajan kanssa ennen tämän tuotteen käyttöä.

### **1. Käyttökohteet**

Laitetta voidaan käyttää kotitalouksissa, osana muita laitekoonpanoja, veden nostamiseen kaivosta, putkien paineistukseen, puutarhan kasteluun, kasvihuoneen kasteluun, kalanviljelyyn ja siipikarjanhoitoon jne.

Laitteella voidaan pumpata puhdasta vettä sekä muita syövyttämättömiä nesteitä, joiden viskositeetti on matala. Ei saa käyttää herkästi syttyvien, räjähtävien, kaasuuntuneiden nesteiden tai kiinteitä hiukkasia tai kuituja sisältävien nesteiden pumppaamiseen. Nesteen pH-arvon on oltava 6,5–8,5.

### **Huomautuksia.**

Pumppu toimii automaattisesti silloin, kun se on varustettu painesäiliöllä, paineakytkimellä ja muilla tarvittavilla osilla. Automaattisissa pumpuissa on seuraavat toiminnot: Aukaise vesihana sen jälkeen, kun pumpun virta on kytketty päälle, ja pumppu käynnistyy automaattisesti. Hanan sulkemisen jälkeen myös pumppu sammuu automaattisesti. Jos automaattinen pumppu kytketään vesitorniin, kytkentä on tehtävä ylärajakytkimeen, ja pumppu käynnistyy tai pysähtyy automaattisesti vedenpinnan laskiessa tornissa.

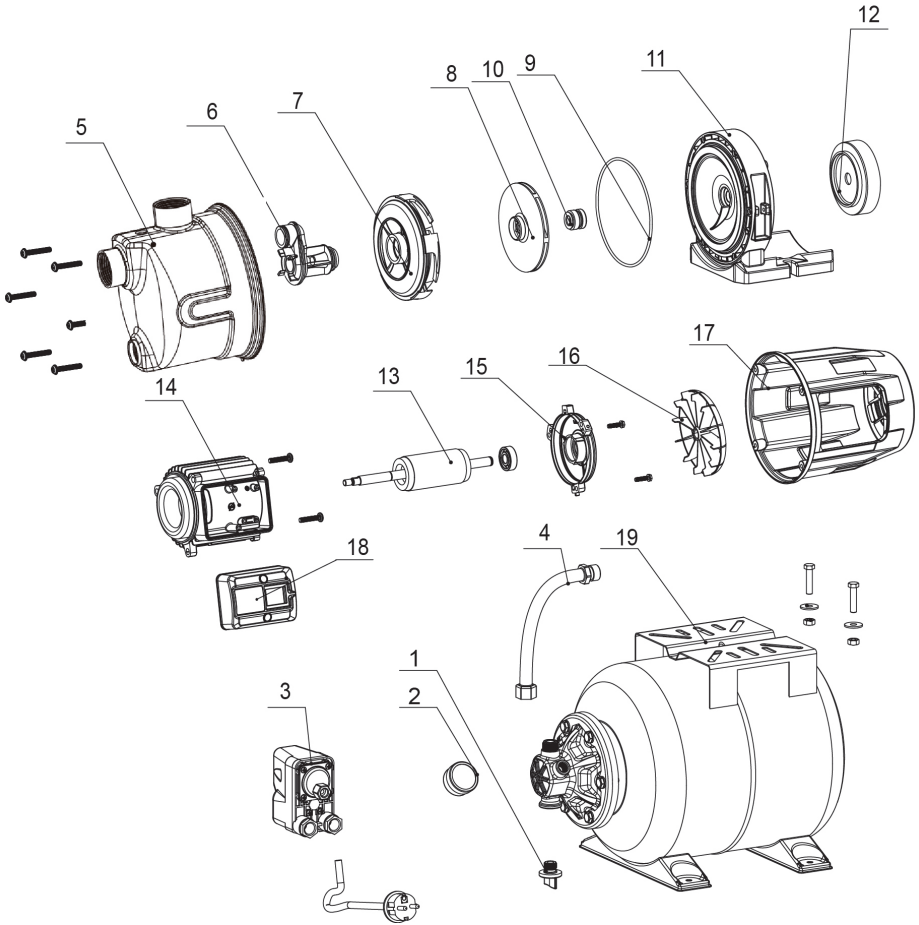
## 2. Tekniset tiedot

Mallinumero	DFM882
Suurin virtaus	3.6m <sup>3</sup> /h
Suurin nostokorkeus	40m
Tehontarve	800W
Suurin imukorkeus	7m
Suojaluokka	IPX4
Eristysluokka	F
Max. veden lämpötila	+35 °C

## 3. Turvallisuusohjeet

- 1) Lue ohjekirja huolellisesti läpi varmistaaksesi sähkökäyttöisen pumpun asianmukaisen ja turvallisen toiminnan.
- 2) Varmista, että pumppu on asianmukaisesti maadoitettu ja maadoitus on varustettu vuotosuojakytkimellä. Älä anna pistotulpan kastua, ja älä käytä kosteissa tiloissa olevaa pistorasiaa.
- 3) Älä koske käynnissä olevaan sähkökäyttöiseen pumppuun tai pese mitään tai ui pumpun lähellä tai päästä karjaa veteen, jotta onnettomuuksilta vältytään.
- 4) Vältä veden roiskumista pumpun päälle. Älä upota pumppua veteen.
- 5) Säilytä pumppu hyvin tuuletetussa tilassa.
- 6) Mikäli ulkolämpötila laskee alle 4 °C tai pumppua ei käytetä pitkään aikaan, neste on poistettava pumpun sisältä ja pumppu on suojattava jäätymiseltä.
- 7) Pumpattava neste voi olla kuumaa tai paineenalaista – huomioi tämä ennen pumpun siirtämistä ja purkamista. Ennen pumpun siirtämistä ja purkamista, pumpun molemmilla puolilla sijaitsevat venttiilit on ensin suljettava ja pumpussa sekä putkissa oleva neste on poistettava palovammojen välttämiseksi.
- 8) Älä koskaan käytä pumppua herkästi syttyvien, kaasuuntuvien tai räjähtävien nesteiden pumppaamiseen, jotka eivät vastaa tässä ohjekirjassa kuvailtuja nesteitä koskevia vaatimuksia.
- 9) Virransyötön on vastattava laitteen tietokilpeen merkittyä jännitettä. Jos pumppua ei käytetä pitkään aikaan, se on tyhjennettävä kokonaan, pestävä puhtaalla vedellä ja siirrettävä kuivaan sekä hyvällä ilmanvaihdolla varustettuun tilaan säilytettäväksi.

## 4. Tuotteen rakenne



NRO	Pos.	NRO	Pos.
1	Tulppa	11	Moottorin laippa
2	Painemittari	12	Etulevy
3	Painekeytkin	13	Roottori
4	Joustava letku	14	Staattori
5	Pumpun runko	15	Takakansi
6	Suutin	16	Tuuletin
7	Diffusori	17	Moottorin kansi
8	Pyörä	18	Vaihdelaatikko
9	O-rengastiiviste	19	Säiliö
10	Mekaaninen tiiviste		

## 5. Putkiston asentaminen



Laitteen voi asentaa ja sitä voi huoltaa pätevä henkilö, joka on perehtynyt näihin ohjeisiin.

Laite on asennettava ja sitä on käytettävä paikallisten määräysten sekä laitteen käyttöä koskevien määräysten edellyttämällä tavalla.

Putket on asennettava ohjekirjassa kuvatulla tavalla ja suojattava jäätymiseltä.

1. Tee imuputkesta mahdollisimman lyhyt ja suora. Säilytä pumppu hyvin tuuletetussa tilassa. Mikäli pumppu asennetaan ulos, varmista, että se suojataan asianmukaisesti säänkestävällä suojuksella.
2. Imu- ja paineputkiin on asennettava sulkuventtiilit. Imuputkeen on asennettava takaiskuventtiili.



Veden maksimilämpötila: 35 °C.

Veden minimilämpötila: 4 °C.



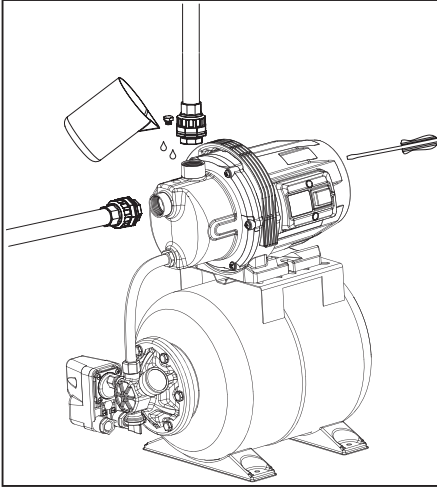
## 6. Käyttöönotto ja kunnossapito



Älä käynnistä pumpppua ennen kuin pumpun kammio on täynnä vettä.

Älä koske sähköpumppuun ennen kuin virta on ollut kytkettynä pois päältä vähintään viisi minuuttia.

Älä irrota pumpun runkoa ennen kuin pumpun kammio on tyhjennetty.



Käännä tuuletinta ruuvimeisselillä varmistaaksesi, että pumpppu pyöri esteettä ennen käynnistämistä. Irrota täyttötulppa ja lisää puhdasta vettä pumpun kammiioon ja ruuvaa tulppa sitten takaisin paikoilleen. Pidä venttiili täysin auki käynnistyksen aikana. Pumpun toimiessa asianmukaisesti, säädä venttiili vastaamaan haluttua virtausta (virtausmäärää ja nostokorkeutta koskevat rajoitukset on merkitty laitteen kilpeen).



### Huomautus

- 1) Mikäli veden pumpppaus ei käynnisty viiden minuutin kuluessa sitä, kun pumpppu täyttyi vedellä ja käynnistettiin, sammuta pumpppu ja täytä se uudelleen tai tarkista, että putket eivät vuoda ja käynnistä pumpppu sitten uudelleen.
- 2) Irrota ilmasäiliön poistotulppa ja poista vesi pumpun kammiosta kokonaan suojataksesi pumpun jäätymiseltä ja jäältä. Irrota täyttötulppa, täytä pumpppu kokonaan vedellä ja ruuvaa tulppa takaisin paikoilleen ennen pumpun käynnistämistä.
- 3) Poista vesi pumpun kammiosta ja siirrä pumpppu kuivaan ja hyvällä ilmanvaihdolla varustettuun tilaan säilytettäväksi, jos pumpppua ei aiota käyttää pitkään aikaan.
- 4) Lämpimällä säällä pumpppua on käytettävä hyvin ilmastoidussa paikassa sähköosiin kerääntyvän kosteuden aiheuttamien sähkövikojen välttämiseksi.
- 5) Mikäli pumpun moottori ylikuumentuu tai toiminnassa ilmenee jotain poikkeavaa, irrota pumpppu virtalähteestä välittömästi ja tarkista viat seuraavan taulukon avulla.

## 7. Vianmääritys



Tarkista pumpun virtalähteestä irti kytkemisen jälkeen.

Oire	Syy	Korjaustoimi
Moottori ei käynnisty	Yksivaiheinen virransyöttö (kolmivaiheinen sähkömoottori). a. virtakytkimen kytkennässä on vikaa b. sulake on palanut c. johto on irronnut d. kaapelin faasi on viallinen.	a. korjaa kytkimen liitin tai vaihda kytkin b. vaihda sulake c. tarkista ja kiristä johdon liitin d. korjaa tai vaihda johdot.
	Kondensaattori on palanut.	Vaihda samanlainen kondensaattori (lähetä valtuutettuun huoltoon korjattavaksi).
	Akseli ja laakeri ovat jumissa.	Vaihda laakeri (lähetä valtuutettuun huoltoon korjattavaksi).
	Juoksupyörä on jumissa.	Käännä tuulettimen siiven liitintä ruuvimeisselillä, jotta se pääsee pyörimään esteettä, tai irrota pumpun runko puhdistusta varten.
	Staattorikäänitys on vaurioitunut.	Vaihda käämit (lähetä valtuutettuun huoltoon korjattavaksi).

Moottori toimii, mutta vettä ei tule ulos	Pumpun pyörimissuunta on väärä.	Vaihda moottorin kahden vaihtojohdon paikkaa (kolmivaiheinen moottori).
	Pumpussa ei ole riittävästi vettä.	Lisää pumppuun vettä.
	Juoksupyörä on vaurioitunut.	Vaihda juoksupyörä (lähetä valtuutettuun huoltoon korjattavaksi).
	Vuoto imuputkistossa	Tarkista kaikkien imuputkiston liitosten tiiviys.
	Vedenpinta on liian matalalla.	Säädä pumpun asennuskorkeutta.
	Putkistossa tai kammiossa oleva vesi on jäänyt.	Käynnistä pumppu sen jälkeen, kun jää on sulanut.
	Liian kuuma vesi voi vaurioittaa muoviosia.	Vaihda vaurioituneet osat (lähetä valtuutettuun huoltoon korjattavaksi).
Paine ei riitä	Pumppu on vääräntyyppinen.	Valitse sopiva pumppu.
	Imuputki on liian pitkä tai siinä on liian monta mutkaa ja/tai putken halkaisija ei vastaa vaadittua.	Käytä halkaisijaltaan sopivaa putkea ja lyhennä imuputkea.
	Imuputki, suodatin tai pumpun kammiosta on tukossa.	Poista vieras aines putkista, pohjaventtiilistä ja pumpun kammioista.
Moottori käy epätasaisesti tai staattorikämit ovat palaneet	Juoksupyörä on jumissa tai ylikuormittunut liian pitkään jatkuneen käytön vuoksi.	Poista vieras aines pumpun kammioista ja anna pumpun käydä nimellisvirtausta hitaammin.
	Maadoitus on viallinen, kaapeli on rikkoontunut tai pumppuun on iskenyt salama.	Maadoita pumppu oikein, vaihda rikkoontunut kaapeli ja vaihda kämit.



Yliviivatun roska-astiasymbolin merkitys:

Älä hävitä sähkölaitteita sekajätteenä, vaan käytä erillisiä keräyspisteitä. Ota yhteyttä paikallishallintoon saadaksesi tietoa käytettävissä olevista keräysjärjestelmistä.

Jos sähkölaitteita hävitetään kaatopaikoille, vaarallisia aineita voi vuotaa pohjaveteen ja joutua sieltä ravintoketjuun vahingoittaen terveyttäsi ja hyvinvointiasi.

Kun vaihdat vanhat laitteet uusiin, jälleenmyyjällä on lakisääteinen velvollisuus ottaa vanha laitteesi takaisin hävitettäväksi maksutta.

## **Takuu**

Pidämme erityistä huolta korkealaatuisten materiaalien valinnasta ja käytämme valmistustekniikoita, joiden avulla voimme luoda tuotteita, joissa yhdistyvät muotoilu ja kestävyys. Tällä tuotteella (DFM882) on valmistajan 2 vuoden takuu valmistusvirheitä vastaan ostopäivästä (jos ostettu myymälästä) tai toimituspäivästä (jos ostettu verkosta) ilman lisäkustannuksia.

Tämän takuun mukaisen korvausvaatimuksen esittämiseksi sinun on esitettävä ostotodistus (kuten myyntikuitti, ostolasku tai muu sovellettavan lain mukaan hyväksyttävä todiste), ja sinun on säilytettävä ostotodistusta turvallisessa paikassa. Jotta tämä takuu olisi voimassa, ostamasi tuotteen on oltava uusi. Takuu ei koske käytettyjä tai esittelytuotteita. Ellei sovellettavassa laissa toisin säädetä, tämän takuun nojalla myönnetylle korvaavalle tuotteelle myönnetään takuu vain alkuperäisen takuuajan päättymiseen saakka.

Tämä takuu kattaa tuotteen vikaantumiset ja toimintahäiriöt edellyttäen, että tuotetta on käytetty siihen tarkoitukseen, johon se on tarkoitettu, ja että se on asennettu, puhdistettu, hoidettu ja huollettu näissä ehdoissa, käyttöohjeessa ja vakiokäytännössä ilmoitettujen tietojen mukaisesti edellyttäen, ettei vakiokäytäntö ole ristiriidassa käyttöohjeen kanssa. Tämä takuu ei kata vikoja ja vaurioita, jotka johtuvat normaalista kulumisesta tai vahingoista, jotka voivat olla seurausta vääränlaisesta käytöstä, virheellisestä asennuksesta tai kokoonpanosta, laiminlyönnistä, onnettomuudesta, väärinkäytöstä tai tuotteen muuttamisesta. Ellei sovellettavassa lainsäädännössä toisin säädetä, tämä takuu ei missään tapauksessa kata liitännäiskustannuksia (kuljetus-, siirto-, purku- ja uudelleenasennuskustannuksia, työvoimakustannuksia jne.) eikä suorita

tai välillisiä vahinkoja.

Tämä takuu ei kata vikoja ja vahinkoja, jotka ovat aiheutuneet tai johtuvat seuraavista:

- Normaali kuluminen
- Ylikuormitus, väärinkäyttö tai laiminlyönti
- Korjausyritykset, joita tekee muu kuin valtuutettu edustaja
- Kosmeettiset vauriot
- Vieraiden esineiden, aineiden tai vahinkojen aiheuttamat vauriot.
- Tahaton vaurioituminen tai muuttaminen
- Valmistajan ohjeiden noudattamatta jättäminen
- Tavaroiden käytön menetys

Jos tuote on viallinen, korjaamme tai vaihdamme sen kohtuullisen ajan kuluessa. Tämän takuun mukaiset oikeudet ovat täytäntöönpanokelpoisia siinä maassa, josta olet ostanut tämän tuotteen. Takuuseen liittyvät kysymykset on osoitettava myymälälle, josta ostit tämän tuotteen.

Takuu täydentää lakisääteisiä oikeuksiasi eikä vaikuta niihin.

FI

# EY-vaatimustenmukaisuusvakuutus

Me,

**Onninen Oy**

**Osoite:** Satamakatu 3, FI-00160, Helsinki, Finland

**Puhelin:** +358-10 53032

**Faksi:** +358-9 857 4783

**takaamme ja vakuutamme, että tämä tuote**

Laitte: VESIAUTOMAATTI

Tuotenimi: OPAL

Malli/tyyppi: DFM882/EKJ-803SSA

**on**

Konedirektiivi (MD) 2006/42/EY,  
sähkömagneettisen yhteensopivuuden direktiivin (EMC) 2014/30/EY,  
RoHS 2011/65/EU Annex II & (EU) 2015/863

**säännösten mukainen ja että seuraavia harmonisoituja standardeja ja teknisiä erittelyjä on sovellettu:**

MD:

EN 60335-1:2012+A11+A13+A1+A14+A2+A15

EN IEC 60335-2-41:2021+A11

EN 62233:2008

EMC:

EN IEC 55014-1:2021

EN IEC 55014-2:2021

EN IEC 61000-3-2:2019+A1

EN 61000-3-3:2013+A1+A2

Helsinki, Finland, October 30<sup>th</sup>, 2024

Kesko Corporation Group Companies



Ville Särkilähti - General Manager

## Säkerhetsinformation (SE)

### Allmänna säkerhetsvarningar

- Denna utrustning får användas av barn som är 8 år eller äldre och personer med nedsatt fysisk, sensorisk eller mental förmåga eller personer som saknar erfarenhet och kunskap om de övervakas eller har fått instruktioner om hur utrustningen ska användas på ett säkert sätt och de förstår riskerna med användningen. Rengöring och användarunderhåll får inte utföras av barn, såvida de inte är 8 år eller äldre och övervakas.
- Koppla alltid bort utrustningen från elnätet före montering, demontering eller rengöring.
- Utrustningen får användas av personer med nedsatt fysisk, sensorisk eller mental förmåga eller personer som saknar erfarenhet och kunskap om de övervakas eller har fått instruktioner om hur utrustningen ska användas på ett säkert sätt och de förstår riskerna med användningen.
- Barn får inte leka med utrustningen.
- Pumpar som saknar uppgift om att de är skyddade mot frysning får inte lämnas utomhus när det råder frostväder.
- Observera! Om nätkabeln är skadad måste den bytas ut av tillverkaren, dennes serviceombud eller motsvarande behöriga personer för att

undvika säkerhetsrisker.

- Bekanta dig med handhavande, justering och funktioner. Följ säkerhets- och bruksanvisningarna för att undvika möjliga risker och faror.
- Kontakta en behörig person eller din återförsäljare om du har frågor efter att ha läst bruksanvisningen.
- Förvara bruksanvisningen så att den är tillgänglig för alla användare. Lämna också med den om du ger produkten till någon annan.
- Försök inte att modifiera produkten på något sätt. Använd endast de redskap och tillbehör som rekommenderas av tillverkaren.
- Använd produkten enbart i enlighet med denna bruksanvisning. Felaktig användning och hantering kan leda till fara för människor och egendom.
- Använd inte produkten om det finns synliga skador. Kontrollera nätkabel, stickpropp, slangar och hölje före varje användningstillfälle. Skadade produkter måste repareras eller kasseras på rätt sätt.
- Koppla omedelbart bort produkten från strömförsörjningen om sladden eller produkten är skadad eller om ett fel uppstår.
- Låt endast en behörig specialist reparera produkten. Felaktiga reparationer kan leda till

elektriska stötar eller andra olyckor.

- Dra i kontakten i stället för i nätkabeln för att koppla bort produkten från strömförsörjningen.
- Kläm eller böj den inte nätkabeln, och låt den inte hänga över kanter.
- Använd förlängningsladdar som uppfyller de tekniska kraven för denna produkt om du måste använda en förlängningsladd. När du använder produkter utomhus ska du använda en förlängningsladd som är lämplig för utomhusbruk.

## **Säkerhetsvarningar för pumpen**

- Utrustningen ska installeras i enlighet med gällande nationella regler för elinstallationer.
- Pumpen ska försörjas med ström via en jordfelsbrytare (RCD) med en brytströmstyrka som inte överstiger 30 mA.
- Förhindra med lämpliga åtgärder att barn får tillgång till utrustningen.
- Använd inte pumpen när människor befinner sig i vattnet.
- Pumpen får inte användas utan vatten.
- Se till att inga vattendjur (t.ex. fiskar) suggs upp av pumpen.
- Tänk på att förorening av vätskan kan uppstå på grund av läckage av smörjmedel.
- Skydda elanslutningar och sladdar mot värme,

olja, vassa kanter och fukt.

- Skydda pumpen mot frost och torrkörning.
- Undvik cirkulation av aggressiva vätskor med frätande material.
- Använd inte nätkabeln för att transportera eller fästa produkten. Fäst ett rep i handtaget för nedsänkning, upplyftning eller fastsättning.
- Kontrollera och rengör pumpens utlopp och inlopp vid behov.
- Pumpa inte vätskor med sand eller andra frätande ämnen. Det orsakar ökat slitage och minskar pumpens effekt.
- Pumpen är konstruerad för rent vatten där suspenderade föroreningars diameter inte överstiger 1 mm.
- Pumpen ska användas för pumpning av vatten vars temperatur är under 35 °C, använd inte produkten för andra vätskor (kolväten, oljor, frätande vätskor, brandfarliga vätskor ...).
- Använd aldrig pumpen när det finns risk för frost.
- Produkten är inte avsedd för kontinuerlig användning. Låt den vila i 10 minuter varje gång efter 1 timmes drift.

### **Nödfall**

Bekanta dig med användningen av denna produkt med hjälp av denna bruksanvisning. Lär dig säkerhetsanvisningarna utantill och följ dem till punkt och pricka. Detta bidrar till att förebygga risker och faror.

1. Var alltid uppmärksam när du använder denna produkt, så att du tidigt

kan upptäcka och hantera risker. Ett snabbt ingripande kan förhindra allvarliga person- och egendomsskador.

2. Koppla från strömförsörjningen om det uppstår funktionsstörningar. Låt en behörig yrkeskunnig kontrollera produkten och vid behov reparera den innan du använder den igen.

### **Kvarstående risker**

Även om du använder denna produkt i enlighet med alla säkerhetsföreskrifter, finns det fortfarande potentiell risk för person- och egendomsskador. Följande faror kan uppstå i samband med produktens konstruktion och utformning:

1. Hälsorisker till följd av vibrationer om produkten används under långa tidsperioder eller inte hanteras och underhålls på rätt sätt.
2. Person- och egendomsskador på grund av trasiga tillbehör eller plötsliga sammanstötningar med dolda föremål under användning.
3. Risk för person- och egendomsskador orsakade av flygande föremål.
4. Risk att produkten spricker.



**! WARNING!** Denna produkt genererar ett elektromagnetiskt fält under drift! Detta fält kan under vissa omständigheter störa aktiva eller passiva medicinska implantat! För att minska risken för allvarliga eller dödliga skador rekommenderar vi att personer med medicinska implantat rådgör med sin läkare och tillverkaren av det medicinska implantatet innan de använder denna produkt!

### **1. Användningsområden**

Pumpen används för vattentillförsel för hushåll, som stöd till utrustningar, pumpa vatten ur brunnar, trycksätta rörledningar, vattna trädgårdar och växthus, fiskodlingar och fjäderfäuppfödning, mm.

Pumpa rent vatten och andra icke korrosiva vätskor med låg viskositet; pumpa inte brandfarliga, explosiva, förgasade vätskor och vätskor som innehåller fasta partiklar eller fibrer. Vätskans pH-värde ska vara mellan 6,5 och 8,5.

## Anmärkning.

Pumpen kan arbeta automatiskt försedd med trycktank, tryckvakt och övriga nödvändiga delar. Den automatiska pumpens funktionsegenskaper är följande: när strömmen är på, vrid på vattenkranen och pumpen startar automatiskt; när vattenkranen stängs stannar pumpen automatiskt. Om ett vattentorn används tillsammans med den automatiska pumpen, anslut till den övre gränslägesbrytaren och pumpen startar eller stannar automatiskt med vattennivån i vattentornet.

## 2. Tekniska data

Modellnummer	DFM882
Max. flöde	3.6m <sup>3</sup> /h
Max. tryckhöjd	40m
Ineffekt	800W
Max. sughöjd	7m
Kapslingsklass	IPX4
Isolationsklass	F
Max. vattentemperatur	+35 °C

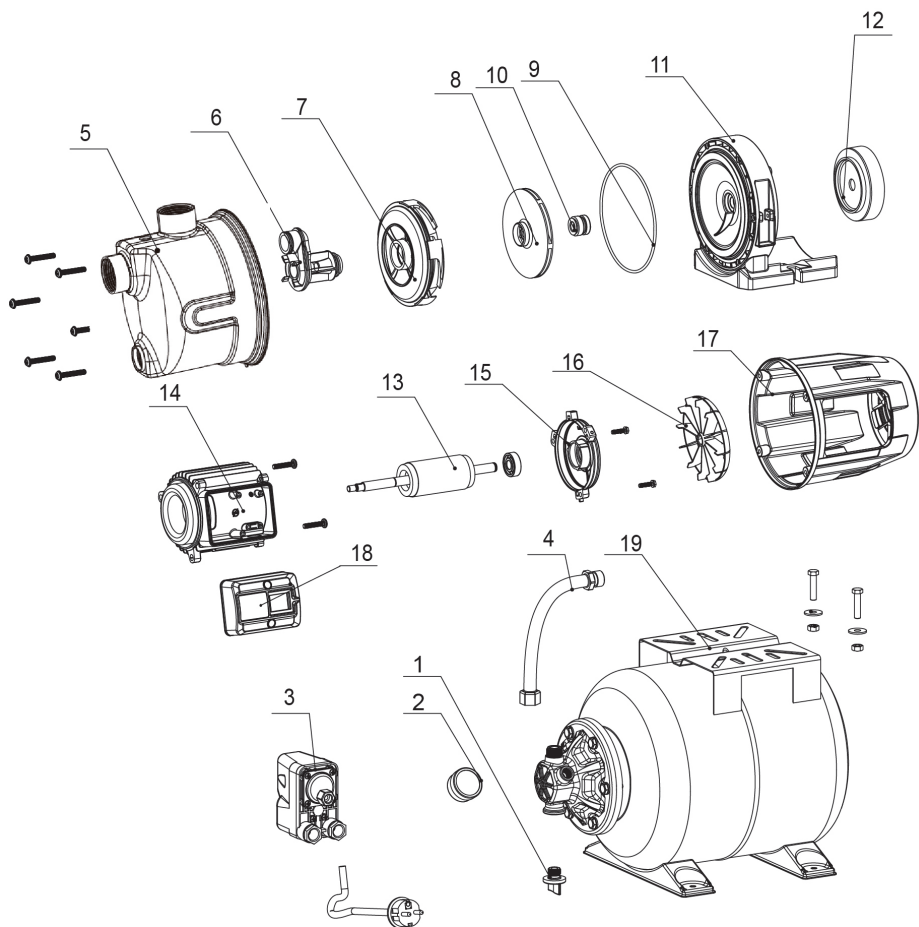
## 3. Säkerhetsanvisningar

- 1) För att säkerställa normal och säker användning av den elektriska pumpen, läs noggrant bruksanvisningen innan användning.
- 2) För att undvika elektriska stötar, försäkra dig om att pumpen är jordad på rätt sätt och försedd med en jordfelsbrytare. Låt inte stickkontakten bli våt och använd inget uttag i områden med hög luftfuktighet.
- 3) Vidrör inte den elektriska pumpen när den är i gång; tvätta inte, simma inte nära arbetsområdet eller låt boskap komma nära vattnet för att undvika olyckor.
- 4) Undvik att stänka vatten på den elektriska pumpen. Sänk inte ned pumpen i vatten.
- 5) Pumpen måste befinna sig på en väl ventilerad plats.
- 6) Om omgivningstemperaturen är lägre än 4 °C eller före en längre period utan att användas ska vätskan inuti tömmas ut för att skydda mot frysning och frost.
- 7) Den pumpade vätskan kan vara het och under högt tryck. Innan förflyttning och demontering av pumpen ska ventilerna på båda sidor på pumpen stängas av först och därefter ska vätska i pumpen och rörsystemet tömmas ut för att undvika skållning.
- 8) Använd aldrig pumpen för att transportera brandfarliga, förgasade eller explosiva vätskor som överskrider de specificerade vätskorna i denna

anvisning.

9) Strömtillförseln ska motsvara spänningen som anges på märkskylten. Om pumpen inte ska användas under en längre tid, töm den helt, skölj ur den med rent vatten och förvara den i ett torrt, väl ventilerat utrymme.

#### 4. Produktens konstruktion



Nr	Del	Nr	Del
1	Stickpropp	11	Motorfläns
2	Manometer	12	Frontplatta
3	Tryckvakt	13	Rotor
4	Flexibelt rör	14	Stator
5	Pumphus	15	Bakkåpa
6	Injektor	16	Fläkt
7	Diffusör	17	Motorkåpa

8	Impeller	18	Byt låda
9	O-ring	19	Tank
10	Mekanisk tätning		

## 5. Installation av rörledning



Denna produkt ska installeras och underhållas av en kvalificerad person som är insatt i denna anvisning.

Installation och drift ska ske i enlighet med lokala föreskrifter och erkända driftstandarder.

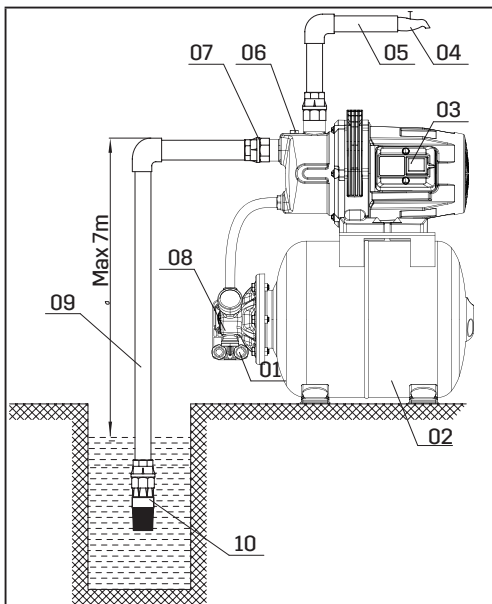
Installera rörledningarna i enlighet med kraven i denna anvisning och skydda från frysning.

1. Gör inloppsröret så kort som möjligt och ha så få böjar som möjligt vid installationen. Pumpen måste befinna sig på en torr och väl ventilerad plats. I händelse av installation utomhus, se till att pumpen är ordentligt skyddad från väderpåverkan.
2. Att montera ventiler på in- och utloppsrören är nödvändigt. Ventilen som monteras på inloppsröret ska vara en bakslagsventil.

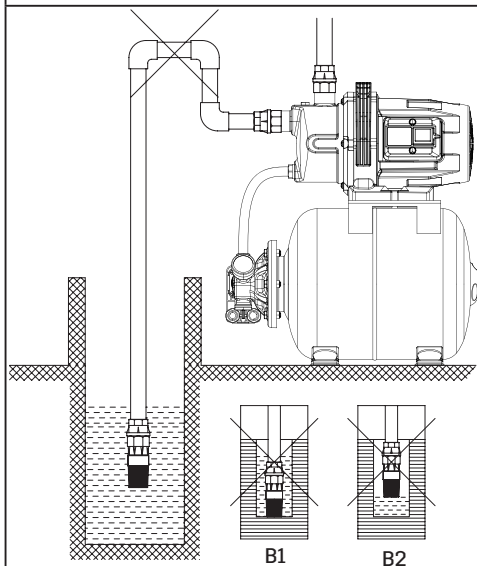


Max. vattentemperatur: 35 °C

Min. vattentemperatur: 4 °C



Korrekt installationsritning A



Felaktig installationsritning B

A:

1. Tömningsplugg 6. Påfyllningsplugg
2. Tank 7. Förbindning
3. Elektrisk pump 8. Tryckvakt
4. Vattenkran 9. Inlopps rör
5. Utlopps rör 10. Bottenbackventil

B: Beakta vid installation av inloppsrör:

- 1) Använd inte mjuka gummirör för inloppsröret vid pumpinstallationen.
- 2) Bottenventilen ska vara vertikalt monterad med ett avstånd på 30 cm från botten för att undvika att sediment sugts upp (A2).
- 3) Alla skarvar för inloppsröret måste vara täta. För att säkerställa att vatten sugts upp är det nödvändigt att reducera antalet böjar för rörledningen.
- 4) Inloppsrörets diameter får inte vara mindre än pumpens inlopp för att undvika stor vattenförlust och mindre vattenflöde.
- 5) Var uppmärksam på vattennivån under drift. Bottenbackventilen ska inte vara ovanför vattenytan (A1).
- 6) Om inloppsröret är längre än 10 m eller om sughöjden överstiger 4 m måste inloppsrörets diameter vara större än diametern på pumpens inlopp.
- 7) Försäkra dig om att pumpen inte påverkas av rörtrycket vid installation av rörledningar.
- 8) Det rekommenderas att montera ett filter på inloppsröret för att undvika att det tränger in fasta partiklar i pumpen.
- 9) Inloppsröret måste vara försett med en bottenbackventil och fyllas helt med vatten innan första användning.

Beakta vid installation av utloppsrör:

Utloppsrörets diameter ska inte vara mindre än pumpens utlopp för att minska tryckfall, hög flödes hastighet och buller till den lägsta nivån.

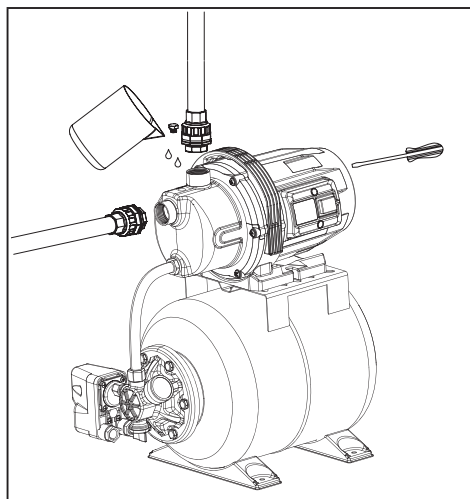
## 6. Idrifttagning och underhåll



Starta inte pumpen om pumpkammaren inte är helt fylld med vatten.

Rör inte den elektriska pumpen om inte strömmen har varit bruten i minst 5 minuter.

Demontera inte pumphuset om inte vattnet i pumpkammaren är helt tomt.



Vrid runt fläkten med en skruvmejsel för att kontrollera att pumpen roterar fritt innan pumpen startas. Ta bort påfyllningspluggen och fyll pumpkammaren med rent vatten och sätt tillbaka påfyllningspluggen. Håll ventilen helt öppen under uppstarten. När pumpen går normalt, ställ in önskat flöde med ventilen (område för flöde och tryckhöjd finns angivet på märkskylten).



**OBS!**

- 1) Om inget vatten pumpas inom 5 minuter efter att pumpen är fylld med vatten och startad, stäng av och fyll på pumpen igen eller kontrollera inloppsröret för läckage, starta därefter om pumpen.
- 2) För frost- och frysskydd, ta bort tömningspluggen på lufttanken och töm ut vattnet i pumpkammaren helt. Innan pumpen startas på nytt är det nödvändigt att ta bort påfyllningspluggen, fylla pumpen helt med vatten och därefter sätta tillbaka påfyllningspluggen.
- 3) Om pumpen inte ska användas under en längre tid, töm pumpkammaren på vatten och förvara pumpen i ett torrt, välventilerat utrymme.
- 4) Om omgivningstemperaturen är hög, se till att pumpen arbetar i ett välventilerat utrymme för att undvika elektriska fel orsakade av fukt på elektriska delar.
- 5) I händelse av överhettning eller om pumpmotorn fungerar onormalt, stäng omedelbart av strömmen och felsök i enlighet med följande tabell.

## 7. Felsökning



Kontrollera pumpen efter att strömmen är avstängd.

Problem	Orsak	Åtgärd
Det går inte att starta motorn	Enfas strömtillförsel (elektrisk trefasmotor): a. dålig anslutning för strömbrytaren b. en säkring har löst ut c. en elektrisk ledare har lossnat d. fasfel i kabeln.	a. Reparera brytarens kontakt eller byt ut brytaren. b. Byt ut säkringen. c. Kontrollera och dra åt anslutningen. d. Reparera eller byt ut kabeln.
	Kondensatorn är bränd.	Byt ut till en likadan kondensator (skicka till underhållscenter för reparation).
	Den roterande axeln och lagret kärvar.	Byt ut lagret (skicka till underhållscenter för reparation).
	Impellern kärvar.	Vrid fläktbladens roterande axel med en skruvmejsel för att låta den rotera fritt eller demontera pumpen för att rengöra.
	Statorns lindning är skadad.	Byt ut lindningen (skicka till underhållscenter för reparation).

Motorn går men inget vatten pumpas	Fel rotationsriktning för pumpen.	Kasta om två faser för motorn (trefasmotor).
	Pumpen är inte helt full med vatten.	Fyll på vatten i pumpen.
	Impellern är skadad.	Byt ut impellern (skicka till underhållscenter för reparation).
	Läckage i sugledningen.	Kontrollera tätningarna på inloppsrörens skarvar.
	Vattennivån är för låg.	Justera pumpens installationshöjd.
	Frysning orsakad av ansamlat vatten i rörledningen eller kammaren.	Starta pumpen efter att isen smält.
	Vatten som är för hett kan orsaka fel för plastdelar.	Byt ut de skadade delarna (skicka till underhållscenter för reparation).
Otilräckligt tryck	Fel typ av pump.	Välj en lämplig modell.
	Inloppsröret är för långt eller har för många böjar och/eller så uppfyller inte rördiameteren kraven.	Montera ett rör med angiven diameter och gör inloppsröret kort.
	Inloppsröret, filtret eller pumpkammaren är igensatt av främmande material.	Rengör rör, bottenbackventil eller pumpkammare, rensa bort främmande material.
Motorn fungerar stötvis eller statorns lindning är bränd.	Impellern är blockerad eller har överbelastats under en lång tid.	Rensa bort främmande material i pumpkammaren; kör pumpen vid nominellt flöde.
	Felaktig jordning, trasig kabel eller pumpen har utsatts för ett blixtnedslag.	Jorda på rätt sätt, ersätt den trasiga kabeln och byt ut lindningen.



Betydelse av överkorsad soptunna med hjul:

Kassera inte elektriska apparater som osorterat hushållsavfall, utan använd särskilda återvinningsanläggningar.

Kontakta din lokala myndighet för information om vilka återvinningsssystem som finns tillgängliga.

Om elektriska apparater kasseras i deponier eller på soptippar, kan farliga ämnen läcka ut i grundvattnet och komma in i livsmedelskedjan, vilket kan skada din hälsa och ditt välbefinnande.

När du byter ut gammal utrustning mot ny är återförsäljaren enligt lag skyldig att kostnadsfritt ta emot din gamla utrustning för bortskaffande.

## Garanti

Vi är noga med att välja material av hög kvalitet och använder tillverkningstekniker som gör det möjligt för oss att skapa produkter som förenar design och hållbarhet. Denna produkt (DFM882) har en tillverkargaranti på 2 år avseende tillverkningsfel, från inköpsdatum (om den köpts i butik) eller leveransdatum (om den köpts online), utan extra kostnad.

För att göra anspråk på denna garanti måste du visa upp ditt inköpsbevis (t.ex. ett kvitto, en inköpsfaktura eller annat bevis som är godkänt enligt tillämplig lag). Förvara ditt inköpsbevis på ett säkert ställe. För att denna garanti ska gälla måste produkten du köpt vara ny, den gäller inte för begagnade produkter eller demonstrationsexemplar. Om inte annat anges i tillämplig lag, kommer varje ersättningsprodukt som överlämnas enligt denna garanti endast att omfattas av garanti fram till utgången av den ursprungliga garantiperioden.

Denna garanti täcker produktfel och funktionsstörningar förutsatt att produkten har använts för det ändamål den är avsedd för och att installation, rengöring, skötsel och underhåll har utförts i enlighet med informationen i dessa villkor, i bruksanvisningen och enligt gängse praxis, förutsatt att gängse praxis inte står i strid med bruksanvisningen.

Denna garanti täcker inte defekter och skador som orsakas av normalt slitage eller skador som kan vara resultatet av felaktig användning, felaktig installation eller montering, försummelse, olycka, felaktig användning eller modifiering av produkten. Om inget annat finns i tillämplig lag omfattar denna garanti inte i något fall följdkostnader (frakt, flyttning, kostnader för borttagande eller återinstallation, arbete etc.) eller direkta och indirekta skador.

Denna garanti täcker inte defekter och skador som orsakas av eller är till följd av:

- Normalt slitage och förslitning
- Överbelastning, felaktig användning eller försummelse
- Reparationsförsök utförda av någon annan än ett auktoriserat ombud
- Kosmetiska skador
- Skador orsakade av främmande föremål, främmande ämnen eller olyckor
- Oavsiktlig skada eller modifiering
- Underlåtenhet att följa tillverkarens riktlinjer
- Förlust till följd av användning av varorna

Om produkten är defekt kommer vi inom rimlig tid att reparera eller byta ut den. Rättigheter enligt denna garanti kan göras gällande i det land där du köpte denna produkt. Garantirelaterade frågor ska ställas till den butik där du köpte produkten.

Garantin är ett tillägg till och påverkar inte dina lagstadgade rättigheter.

SE

# EU-deklaration om överensstämmelse

Vi,

**Onninen Oy**

**Adress:** Satamakatu 3, FI-00160, Helsinki, Finland

**Telefon:** +358-10 53032

**Fax:** +358-9 857 4783

**deklarerar under eget ansvar att följande product**

Produkt: PUMPAUTOMAT

Märkesnamn: OPAL

Modell/typ: DFM882/EKJ-803SSA

**överensstämmer med**

Maskindirektivet (MD) 2006/42/EG,

direktiv om elektromagnetisk kompatibilitet (EMC) 2014/30/EG

RoHS 2011/65/EU Annex II & (EU) 2015/863

**och att följande harmoniserade standarder och tekniska specifikationer har tillämpats:**

MD:

EN 60335-1:2012+A11+A13+A1+A14+A2+A15

EN IEC 60335-2-41:2021+A11

EN 62233:2008

EMC:

EN IEC 55014-1:2021

EN IEC 55014-2:2021

EN IEC 61000-3-2:2019+A1

EN 61000-3-3:2013+A1+A2

Helsinki, Finland, October 30<sup>th</sup>, 2024

Kesko Corporation Group Companies



Ville Särkilahti - General Manager

# Sikkerhetsinformasjon (NO)

## Generelle sikkerhetsadvarsler

- Dette apparatet kan brukes av barn fra 8 år og oppover og personer med reduserte fysiske, sensoriske eller mentale evner eller mangel på erfaring og kunnskap, gitt at de får tilsyn eller instruksjoner om bruk av apparatet på en sikker måte og forstår farene involvert. Rengjøring og brukervedlikehold skal ikke utføres av barn med mindre de er over 8 år og under oppsyn.
- Koble alltid apparatet fra strømforsyningen før montering, demontering eller rengjøring.
- Apparater kan brukes av personer med reduserte fysiske, sensoriske eller mentale evner eller manglende erfaring og kunnskap, gitt at de har fått veiledning eller instruksjon i hvordan apparatet skal brukes på en sikker måte, og at de forstår farene forbundet med bruken.
- Barn skal ikke leke med apparatet.
- Pumper som ikke er beskyttet mot frost, skal ikke etterlates utendørs når det er minusgrader.
- Obs! Hvis strømledningen er skadet, må den skiftes ut av produsenten, dennes serviceverksted eller tilsvarende kvalifiserte personer for å unngå sikkerhetsfare.
- Gjør deg kjent med betjening, justeringer og funksjoner. Følg sikkerhets- og

bruksanvisningene for å unngå mulige farer og risikoer.

- Kontakt en kvalifisert person eller forhandleren din hvis du har spørsmål etter å ha lest bruksanvisningen.
- Oppbevar bruksanvisningen slik at den er tilgjengelig for alle brukere. Gi den også videre når du gir produktet til andre.
- Ikke forsøk å modifisere produktet på noen måte. Bruk kun tilbehør som er anbefalt av produsenten.
- Bruk produktet kun i samsvar med denne bruksanvisningen. Misbruk og feil håndtering vil føre til fare for mennesker og eiendom.
- Ikke bruk produktet hvis det er synlige skader. Kontroller strømledningen, støpselet, tilkoblede slanger og kabinettet før hver bruk. Defekte produkter må repareres eller kasseres på riktig måte.
- Koble produktet fra strømforsyningen umiddelbart hvis ledningen eller produktet er skadet, eller hvis det oppstår en feil.
- Produktet må kun repareres av en kvalifisert fagperson. Feilaktige reparasjoner kan føre til elektrisk støt eller andre ulykker.
- Trekk i støpselet i stedet for i strømledningen for å koble produktet fra strømforsyningen.
- Ikke la strømledningen henge over kanter, og

ikke klem eller bøy den.

- Bruk skjøteledninger som oppfyller de tekniske kravene til dette produktet hvis bruk av skjøteledning er uunngåelig. Bruk en skjøteledning som er egnet for utendørs bruk når produktene brukes utendørs.

## **Advarsler om pumpesikkerhet**

- Apparatet skal installeres i samsvar med nasjonale forskrifter om ledninger.
- Pumpen skal forsynes gjennom en reststrømsenhet (RCD) med nominell driftsstrøm som ikke overstiger 30 mA.
- Bruk egnede tiltak for å forhindre at barn får tilgang.
- Ikke bruk pumpen når det er personer i vannet.
- Ikke bruk pumpen uten vann.
- Sørg for at ingen sjødyr (f.eks. fisk) suges opp av pumpen.
- Vær oppmerksom på at forurensning av væsken kan forekomme på grunn av lekkasje av smøremidler.
- Beskytt de elektriske tilkoblingene og ledningene mot varme, olje, skarpe kanter og fuktighet.
- Beskytt pumpen mot frost og tørrkjøring.
- Unngå sirkulasjon av aggressive væsker og slipende materialer.
- Ikke bruk strømledningen til å transportere eller

sikre produktet. Fest et tau til håndtaket for nedsenking, løfting eller sikring.

- Kontroller og rengjør pumpens utløp og innløp ved behov.
- Ikke pump væsker med sand eller andre slipende stoffer. Det fører til økt slitasje og reduserer pumpens ytelse.
- Produktet er designet for klart vann med en diameter på suspenderte urenheter som ikke overstiger 1 mm.
- Pumpen skal brukes for pumping av vann med temperaturer under 35 °C. Ikke bruk produktet for andre væsker (hydrokarboner, oljer, etsende væsker, brannfarlige væsker...).
- Bruk aldri pumpen når det er fare for frost.
- Produktet er ikke beregnet for kontinuerlig bruk. La den hvile i 10 minutter etter hver en times kjøring.

### **Nødsituasjon**

Gjør deg kjent med bruken av dette produktet ved hjelp av denne bruksanvisningen. Lær deg sikkerhetsanvisningene utenat og følg dem til punkt og prikke. Dette vil bidra til å forebygge risiko og farer.

1. Vær alltid på vakt når du bruker dette produktet, slik at du kan oppdage og håndtere risikoer tidlig. Rask inngripen kan forhindre alvorlige person- og eiendomsskader.


2. Koble fra strømforsyningen hvis det oppstår funksjonsfeil. Få produktet kontrollert av en kvalifisert fagperson og reparer det om nødvendig før du tar det i bruk igjen.

### **Restrisikoer**

Selv om du bruker dette produktet i samsvar med alle sikkerhetskravene, er det fortsatt en potensiell risiko for skader på personer og eiendom.

Følgende farer kan oppstå i forbindelse med dette produktets konstruksjon og design:

1. Helseeffekter som følge av vibrasjonsemisjon hvis produktet brukes over lengre tid eller ikke håndteres og vedlikeholdes på riktig måte.
2. Personskader og materielle skader på grunn av ødelagte festeanordninger eller plutselige sammenstøt med skjulte gjenstander under bruk.
3. Fare for personskader og materielle skader forårsaket av flygende gjenstander.
4. Risiko for sprengning.

 **ADVARSEL!** Dette produktet produserer et elektromagnetisk felt under drift! Dette feltet kan under visse omstendigheter forstyrre aktive eller passive medisinske implantater! For å redusere risikoen for alvorlige eller dødelige skader anbefaler vi at personer med medisinske implantater rådfører seg med legen sin og produsenten av det medisinske implantatet før de tar i bruk dette produktet!

### **1. Bruksområder**

Den egner seg til vannforsyning i husholdninger, som støttepumpe i anlegg, løfting av vann fra brønnen, rørledningstrykksetting, hagevanning, vanning av drivhus, fiskeoppdrett, fjørfeoppdrett osv.

Transporter rent vann og andre ikke-etsende væsker med lav viskositet; ikke transporter brennbare, eksplosive, forgassede væsker og væsker som inneholder faste partikler eller fibre. Væskens pH-verdi skal være mellom 6,5 og 8,5.

Bemerkning:

Pumpen kan fungere automatisk, utstyrt med trykktank, trykkbryter og andre nødvendige deler. Funksjonene til den automatiske pumpen er som følger: Når strømmen er på, slå på vannkranen og pumpen begynner å fungere automatisk; Når vannkranen er slått av, vil pumpen slutte å fungere automatisk. Hvis det brukes et vanntårn sammen med den automatiske pumpen, koble til den øvre grensebryteren, og pumpen starter eller slutter å fungere automatisk avhengig av vannstanden i vanntårnet.

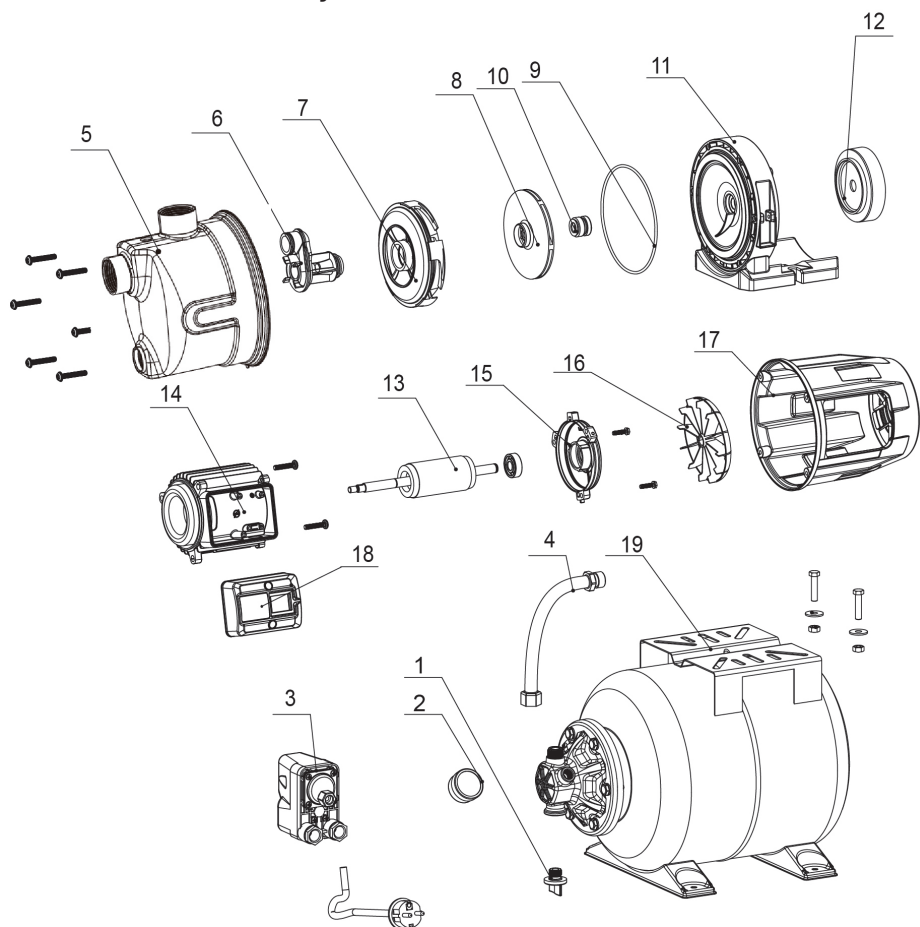
## 2. Tekniske data

Modell nummer	DFM882
Maks. strømningshastighet	3.6m <sup>3</sup> /h
Maks. trykkehøyde	40m
Inngangseffekt	800W
Maks. sugehøyde	7m
Beskyttelsesklasse	IPX4
Isolasjonsklasse	F
Maks. vanntemperatur	+35 °C

## 3. Sikkerhetstiltak

- 1) For å sikre normal og sikker drift av den elektriske pumpen, les bruksanvisningen nøye før bruk.
- 2) For å unngå elektrisk støt, sørg for at pumpen er forsvarlig jordet og utstyrt med en jordfeilbryter. Ikke la pluggen bli våt og ikke bruk noen stikkontakt i et område med høy luftfuktighet.
- 3) Ikke berør den elektriske pumpen mens den går; ikke vask eller bad i nærheten av arbeidsområdet eller la husdyr inn i vannet for å unngå ulykker.
- 4) Unngå å sprute vann på den elektriske pumpen. Ikke senk pumpen i vannet.
- 5) Plasser pumpen på et godt ventilert sted.
- 6) Hvis omgivelsestemperaturen er under 4 °C eller når du ikke skal bruke pumpen i en lengere periode, skal væsken tømmes ut for å beskytte den mot frysing og frost.
- 7) Væsken som pumpes kan være varm og under høyt trykk. Før du flytter og demonterer pumpen skal du først lukke ventilene på begge sider av pumpen og deretter tomme væsker i pumpen og rørledningene for å unngå brannskader.
- 8) Bruk aldri pumpen til å transportere brennbar, gassgivende eller eksplosiv væske som overstiger væskene spesifisert i denne bruksanvisningen.
- 9) Strømforsyningen skal være i samsvar med spenningen som er angitt på dataskiltet. Hvis pumpen ikke skal brukes på lang tid, tøm den helt, vask den med rent vann og oppbevar den på et tørt, godt ventilert sted.

## 4. Produktets konstruksjon



Nr.	Del	Nr.	Del
1	Plugg	11	Motorflens
2	Manometer	12	Frontplate
3	Pressostat	13	Rotor
4	Fleksibelt rør	14	Stator
5	Pumpehus	15	Bakdeksel
6	Injektor	16	Vifte
7	Diffusor	17	Motordeksel
8	Impeller	18	Bryterboks
9	O-ring	19	Tank
10	Mekanisk sel		

## 5. Montering av rørledninger



Dette produktet skal monteres og vedlikeholdes av en kvalifisert person som er kjent med denne bruksanvisningen.

Monteringen og driften skal være i samsvar med lokale forskrifter og anerkjente driftsstandarder.

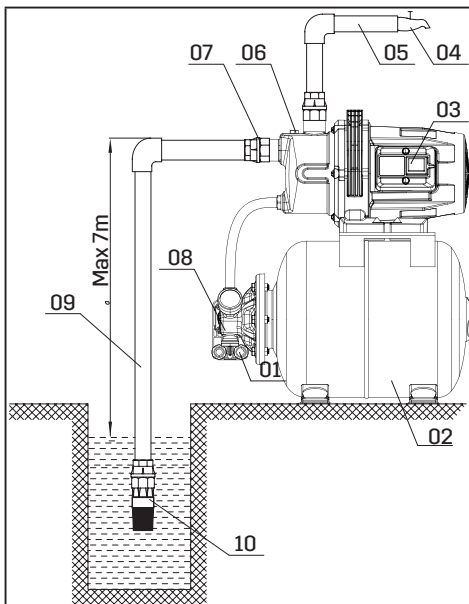
Installer rørledningen riktig i henhold til kravene i denne instruksjonen, og beskytt den mot frysing.

1. Gjør innløpsrørledningen så kort som mulig og ha så få bøyer som mulig under installasjonen. Oppbevar pumpen på et tørt og godt ventilert sted. Ved utendørs montering sørg for at pumpen er godt beskyttet mot været med et værbestandig deksel.
2. Montering av ventiler på innløps- og utløpsrørledninger er nødvendig. Ventilen installert på innløpsrørledningen skal være enveisventil.



Maks. Vanntemperatur: 35 °C

Min. Vanntemperatur: 4 °C



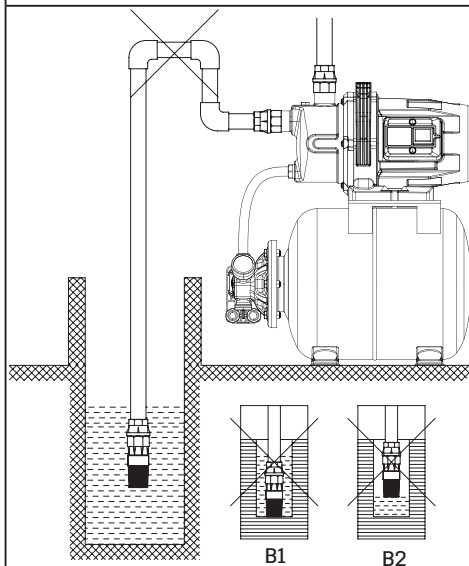
Korrekt montering, tegning A

A:

- |                    |                |
|--------------------|----------------|
| 1. Tappeplugg      | 6. Fylleplugg  |
| 2. Tank            | 7. Tilkobling  |
| 3. Elektrisk pumpe | 8. Pressostat  |
| 4. Vannkran        | 9. Innløpsrør  |
| 5. Utløpsrør       | 10. Bunnventil |

B: Merknader for montering av rørledninger:

- 1) Ikke bruk mykt gummirør som innløpsrørledning ved montering av pumpen.
- 2) Bunnventilen skal monteres vertikalt med en avstand på 30 cm fra vannbunnen for å unngå oppsuging av sediment (A2).
- 3) Alle tilkoblinger til innløpsrørledningen må tettes. For å sikre vannsuging er det nødvendig å redusere mengden bøyer i rørledningen.
- 4) Diameteren på innløpsrørledningen må ikke være mindre enn pumpens innløp for å unngå store hydrauliske tap og liten vannstrøm.
- 5) Vær oppmerksom på vannstanden under drift. Bunnventilen skal ikke stå over vannoverflaten (A1);
- 6) Hvis innløpsrørledningen er mer enn 10 m lang eller har løftehøyde på over 4 m, skal diameteren på innløpsrørledningen være større enn pumpeinnløpet.
- 7) Pass på at pumpen ikke påvirkes av rørledningens trykk under montering av rørledningen.
- 8) Det anbefales å installere et filter på innløpsrørledningen for å unngå inntrenging av faste partikler til den elektriske pumpen.
- 9) Før første drift skal innløpsrørledningen fylles helt med vann og installeres med en bunnventil.



Feil montering, tegning B

Merknad for montering av utløpsrør:

Diameteren på utløpsrørledningen skal ikke være mindre enn pumpeutløpet for å redusere trykkfall, høy strømningshastighet og støy til det laveste nivået.

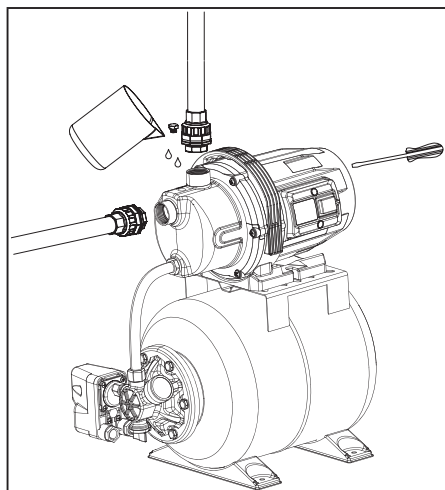
## 6. Oppstart og vedlikehold



Ikke slå på pumpen hvis pumpekammeret ikke er helt fylt med vann.

Ikke berør den elektriske pumpen med mindre strømmen til pumpen har vært slått av i over 5 minutter.

Ikke fjern pumpedekselet med mindre vannet i pumpekammeret er fullstendig tømt av vann.



Rør i viften med en skrutrekker for å sjekke om pumpen roterer fleksibelt før oppstart. Fjern påfyllingspluggen og fyll pumpekammeret helt med rent vann, skru deretter påfyllingspluggen tilbake. Hold ventilen helt åpen under oppstart. Når pumpen går normalt, juster ventilen til ønsket strømning (området for strømning og trykkehøyde er vist på dataskiltet).



### Merk:

- 1) Hvis det ikke kan pumpes noe vann i løpet av 5 minutter etter at pumpen er fylt med vann og startet opp, slå av og fyll pumpen på nytt, eller kontroller lekkasjen fra innløpsrørledninger, og start deretter pumpen på nytt.
- 2) For frost- og frysingsbeskyttelse, fjern utløpspluggen på lufttanken og tøm pumpekammeret helt av vann. Før pumpen startes på nytt, er det nødvendig å fjerne påfyllingspluggen, fyll pumpen helt med vann og skru deretter tilbake påfyllingspluggen.
- 3) Hvis pumpen ikke skal brukes på lang tid, tøm ut vannet i pumpekammeret og oppbevar pumpen på et tørt, godt ventilert sted.
- 4) Hvis omgivelsestemperaturen er høy, sørg for at pumpen fungerer på et godt ventilert sted for å unngå elektriske feil forårsaket av dugg på elektriske deler.
- 5) Ved overoppheting eller unormal drift av pumpemotoren, slå av strømforsyningen umiddelbart, og kontroller feilene i henhold til følgende skjema.

## 7. Feilsøking



Kontroller pumpen etter et strømbrudd.

Problem	Årsak	Handling
Motoren kan ikke startes	Enfase strømforsyning (tre-fase elektrisk motor): a. dårlig tilkobling av strømbryteren; b. sikringen har gått; c. løs strømlledning; d. fasefeil på kabelen.	a. reparer bryterens kontakt eller skift ut bryteren; b. skift ut sikringen; c. sjekk og stram strømkontakten; d. reparer eller skift ut kabler.
	Kondensatoren er utbrent.	Skift ut med en kondensator av samme type (send til vedlikeholdsstedet for reparasjon).
	Den roterende akselen og lageret sitter fast.	Skift ut lageret (send til vedlikeholdsstedet for reparasjon).
	Impelleren sitter fast.	Vri viftens roterende aksel med en skrutrekker for å la den rotere fleksibelt, eller demonter pumpehuset for å fjerne fremmedlegemer.
	Statorviklingen er skadet.	Skift ut viklingsspoler (send til vedlikeholdspunktet for reparasjon).

Motoren er i drift, men det pumpes ikke noe vann	Feil rotasjonsretning på pumpen.	Bytt om to-fase ledninger til motoren (tre-fase motor).
	Pumpen er ikke helt fylt med vann.	Fyll pumpen med vann igjen.
	Impelleren er skadet.	Skift ut impelleren (send til vedlikeholdsstedet for reparasjon).
	Lekkasje av sugerøret.	Kontroller tetning av ulike skjøter på innløpsrørledningene.
	Vannstanden er for lav.	Juster monteringshøyden til pumpen.
	Frysing forårsaket av akkumulert vann i rørledningen eller kammeret.	Start pumpen etter at isen er smeltet.
	Vannet som er for varmt kan føre til svikt i plastdeler.	Skift ut de skadede delene (send til vedlikeholdsstedet for reparasjon)
Utilstrekkelig trykk	Feil pumpetype.	Velg passende modell.
	Innløpsrørledningen er for lang eller med for mange bøyninger, eller/ og rørdiameteren er ikke som krevd.	Monter et rør med den angitte diameteren, og gjør innløpsrøret kort.
	Innløpsrørledningen, filteret eller pumpekammeret er blokkert av fremmedlegemer.	Rengjør rørledningen, bunnventilen eller pumpekammeret, fjern fremmedlegemer.
Motoren fungerer periodisk eller statorviklingen er utbrent	Løftehjulet har satt seg fast eller har vært i overbelastningsdrift i lang tid.	Fjern fremmedlegemer fra pumpekammeret; kjør pumpen ved nominell strømning.
	Feil jording, kabelbrudd eller den elektriske pumpen har blitt truffet av lynet.	Når riktig jordet, skift ut den ødelagte kabelen og viklingsspolene.



Betydning av søppeldunk med kryss over:

Ikke kast elektriske apparater som usortert kommunalt avfall, lever dem til en gjenvinningsstasjon.

Kontakt lokale myndigheter for informasjon om nærmeste tilgjengelige gjenvinningsstasjon.

Hvis elektriske apparater kastes på søppelhauger, kan farlige stoffer lekke ut i grunnvannet og komme inn i næringskjede og føre til skade på helse og velvære.

Når gamle apparater erstattes med nye, er forhandleren rettslig forpliktet til å avhende dine gamle apparater gratis.

## **GARANTI**

Vi er spesielt nøye med å velge materialer av høy kvalitet og bruke produksjonsteknikker som gjør det mulig for oss å skape produkter som kombinerer design og holdbarhet. Dette produktet (DFM882) har en produsentgaranti på 2 år mot produksjonsfeil, fra kjøpsdatoen (ved kjøp i butikk) eller leveringsdatoen (ved kjøp på nett), uten ekstra kostnad. For å gjøre krav i henhold til denne garantien må du fremvise kjøpsbevis (for eksempel kvittering, kjøpsfaktura eller annet bevis som er tillatt i henhold til gjeldende lov), oppbevar kjøpsbeviset på et trygt sted. For at denne garantien skal gjelde må produktet du har kjøpt være nytt, den gjelder ikke for brukte produkter eller utstillingsprodukter. Med mindre annet er angitt i gjeldende lovverk, vil ethvert erstatningsprodukt som utstedes i henhold til denne garantien kun være garantert frem til utløpet av den opprinnelige garantiperioden.

Denne garantien dekker produktfeil og funksjonsfeil forutsatt at produktet er brukt til det formålet det er beregnet for, og at installasjon, rengjøring, stell og vedlikehold er utført i samsvar med informasjonen i disse vilkårene, i bruksanvisning og i henhold til vanlig praksis, forutsatt at vanlig praksis ikke er i strid med bruksanvisningen.

Denne garantien dekker ikke defekter og skader som skyldes normal slitasje eller skader som kan være et resultat av feilaktig bruk, feilaktig installasjon eller montering, forsømmelse, uhell, misbruk eller modifisering av produktet. Med mindre annet følger av gjeldende lovgivning, dekker denne garantien under ingen omstendigheter ekstrakostnader (frakt, flytting, kostnader ved av- og påmontering, arbeid osv.) eller direkte og indirekte skader.

Denne garantien dekker ikke feil og skader forårsaket av eller som følge

av:

- Normal slitasje og elde
- Overbelastning, feil bruk eller forsømmelse
- Reparasjonsforsøk utført av andre enn en autorisert agent
- Kosmetiske skader
- Skade forårsaket av fremmedlegemer, substanser eller ulykker
- Utilsiktet skade eller modifisering
- Unnlatelse av å følge produsentens retningslinjer
- Tap av bruk av varene

Hvis produktet er defekt, vil vi innen rimelig tid reparere eller erstatte det. Rettigheter i henhold til denne garantien kan håndheves i det landet der du kjøpte dette produktet. Garantirelaterte spørsmål skal rettes til butikken du kjøpte dette produktet fra.

Garantien kommer i tillegg til og påvirker ikke dine lovfestede rettigheter.

NO

# EU-samsvarserklæring

Vi

**Kesko Corporation,**

**Address:** PL 1,00016, Helsinki, Finland

**Telefon:** +358-10 53032 **Fax:** +358-9 8574783

**Erklærer under vårt eneansvar at følgende produkt Utstyr:**

Utskyting: Vannpumpe m/tank

Merkenavn: OPAL

Modell/type: DFM882/EKJ-803SSA

**er i samsvar med**

Maskindirektiv (MD) 2006/42/EC

Direktiv om elektromagnetisk kompatibilitet (EMC) 2014/30/EC,

RoHS 2011/65/EU Annex II & (EU)2015/863

**og følgende harmoniserte standarder og tekniske spesifikasjoner er brukt:**

MD:

EN 60335-1:2012+A11+A13+A1+A14+A2+A15

EN IEC 60335-2-41:2021+A11

EN 62233:2008

EMC:

EN IEC 55014-1:2021

EN IEC 55014-2:2021

EN IEC 61000-3-2:2019+A1

EN 61000-3-3:2013+A1+A2

Helsinki, Finland, October 30<sup>th</sup>, 2024

Kesko Corporation Group Companies



Ville Särkilähti - General Manager

## Ohutusteave (EE)

### Üldised ohutushoiatused

- Lapsed alates kaheksandast eluaastast ja isikud, kelle füüsilised, sensoorsed või vaimsed võimed on piiratud või kellel puuduvad kogemused ja teadmised, võivad seadet kasutada juhul, kui neid jälgitakse või kui neid on juhendatud seadet ohutult kasutama ja nad mõistavad sellega seotud ohte. Lapsed ei tohi seadet puhastada ega hooldada, välja arvatud juhul, kui nad on vanemad kui 8 aastat ja nendele on tagatud järelevalve.
- Enne kokkupanekut, lahtivõtmist või puhastamist eemaldage seade alati vooluvõrgust.
- Väheste sensorsete, füüsiliste või vaimsete võimetega isikud ning need, kellel puuduvad vajalikud kogemused ja teadmised, tohivad seadmeid kasutada ainult nende ohutuse eest vastutava isiku järelevalve all või kui on saanud seadme ohutu kasutuse juhised ja mõistavad kaasnevaid ohtusid.
- Ärge lubage lastel seadmega mängida.
- Pumpasid, millel puudub märge, et need on külmumise eest kaitstud, ei tohi külma korral õue jätta.
- Tähelepanu! Kui toitekaabel on kahjustatud, peab selle ohutuse tagamiseks asendama tootja, hoolduspartner või sarnase kvalifikatsiooniga

isik.

- Tutvuge käitus-, seadistus- ja kasutusvõimalustega. Järgige ohutus- ja kasutusjuhiseid, et vältida võimalikke riske ja ohte.
- Kui teil on pärast kasutusjuhendi lugemist küsimusi, võtke ühendust kvalifitseeritud isiku või edasimüüjaga.
- Hoidke kasutusjuhendit nii, et see oleks kõigile kasutajatele kättesaadav. Edastage see samuti, kui annate seadme teistele edasi.
- Ärge püüdke seadet mingil viisil muuta. Kasutage ainult tootja soovitatud lisaseadmeid ja tarvikuid.
- Kasutage seadet ainult kasutusjuhendi kohaselt. Väärkasutamine ja ebaõige käsitsemine ohustab inimesi ja vara.
- Ärge kasutage nähtavalt kahjustatud seadet. Enne iga kasutamist vaadake üle toitekaabli, pistiku, ühendatud volikute ja korpuse seisukord. Vigased seadmed tuleb parandada või nõuetekohaselt kõrvaldada.
- Kui toitekaabel või seade on kahjustatud või tekib rike, eemaldage seade kohe vooluvõrgust.
- Laske seadet parandada ainult kvalifitseeritud spetsialistil. Ebaõiged parandused võivad põhjustada elektrilöögi või muid õnnetusi.
- Toote vooluvõrgust eemaldamiseks tõmmake

pistikust, mitte toitekaablist.

- Ärge laske toitekaabli üle servade rippuda, ärge pigistage ega painutage seda.
- Kui pikenduskaabli kasutamine on vältimatu, kasutage selle seadme tehnilistele nõuetele vastavaid pikenduskaableid. Kui kasutate seadmeid õues, kasutage sobivat pikenduskaablit.

## **Pumba ohutushoiatused**

- Seade tuleb paigaldada kohalike riiklike elektripaigaldiste nõuete kohaselt.
- Pumba toide peab olema ühendatud rikkevoolukaitselüliti (RCD) kaudu, mille rakendumisvool ei tohi ületada 30 mA.
- Vältida laste juurdepääsu asjakohaste meetmetega.
- Ärge kasutage pumpa, kui inimesed on vees.
- Ärge käitage pumpa ilma veeta.
- Veenduge, et pump ei tõmbaks veest veeloomi (nt kalu).
- Pidage meeles, et määrdeainete leke võib põhjustada vedelike reostuse.
- Kaitske elektriühendusi ja kaableid kuumuse, õli, teravate servade ja niiskuse eest.
- Kaitske pumpa külmumise ja kuivkäituse eest.
- Vältige sööbivate vedelike ja abrasiivsete materjalide pumpamist.

- Ärge kasutage toitekaablit seadme teisaldamiseks või kinnitamiseks. Kinnitage sukeldamiseks, tõstmiseks või kinnitamiseks käepidemele kõis.
- Korrastage ja puhastage pumba välja- ja sisselaskeava vajaduse järgi.
- Ärge pumbake liiva või muid abrasiivseid aineid sisaldavaid vedelikke. See kiirendab pumba kulumist ja vähendab tootlikkust.
- Toode on mõeldud puhta vee jaoks, mille hõljuvate lisandite läbimõõt ei ületa 1 mm.
- Pumba tohib kasutada alla 35 °C temperatuuriga vee pumpamiseks. Ärge kasutage seadet muude vedelike (süsivesinikud, õlid, söövitavad vedelikud, tuleohtlikud vedelikud jne) pumpamiseks.
- Ärge kasutage pumba külmumisohu korral.
- Seade ei ole mõeldud pidevaks kasutamiseks. Jätke see iga 1 tunni pikkuse käitamise järel 10 minutiks seisma.

### **Hädaolukord**

Tutvuge kasutusjuhendiga. Jätke ohutusjuhised meelde ja järgige neid täpselt. See aitab vältida riske ja ohte.

1. Kasutage seadet alati tähelepanelikult, et saaksite ohud varakult ära tunda ja nendega toime tulla. Kiire sekkumine võib ära hoida raskeid vigastusi ja varakahjustusi.

2. Tõrgete korral eemaldage vooluvõrgust. Enne uuesti kasutamist laske seade kvalifitseeritud spetsialistil üle vaadata ja vajaduse korral parandada.

### **Jääkriskid**

Isegi kui käitate seda seadet kõigi ohutusnõuete kohaselt, säilib võimalik

vigastuste ja kahjustuste oht. Selle seadme struktuuri ja konstruktsiooni tõttu võivad tekkida järgmised ohud.

1. Vibratsioonist tulenevad tervisekahjustused, kui seadet kasutatakse pikka aega või kui seda ei käsitseta ega hooldata nõuetekohaselt.
2. Vigastused ja varakahjustused, mis on tingitud purunenud kinnitusedetailide tõttu või kasutusaegsest kokkupõrkest varjatud esemetega.
3. Paiskuvate esemete põhjustatud vigastuste ja varakahju oht.
4. Lõhkemisoht.



**HOIATUS!** See seade tekitab käitamise ajal elektromagnetvälja. See väli võib mõnel juhul segada aktiivsete või passiivsete implantaatide tööd. Raskete või surmavate vigastuste ohu vältimiseks soovitame meditsiiniliste implantaatidega isikutel võtta enne seadme kasutamist ühendust arsti ja meditsiiniseadme tootjaga.

### **1. Kasutusvaldkonnad**

Pump on ette nähtud kasutamiseks kodumajapidamise veevarustuseks, abipumbana seadmestikes, vee tõstmiseks kaevust, torustike survestamiseks, aia kastmiseks, kasvuhoonete kastmiseks, kala- ja linnukasvatustes jne.

Pump on ette nähtud puhta vee ja muude väikese viskoossusega mittekorrodeerivate vedelike teisaldamiseks ning see ei sobi kergsüttivate, plahvatusohtlike gaasistatud vedelike ja tahkeid osakesi või kiudmaterjali sisaldavate vedelike teisaldamiseks. Vedeliku pH-tase peab olema vahemikus 6,5 ja 8,5.

### **Märkus**

Pump võib töötada automaatselt, kui süsteem on varustatud survepaagi, rõhulüliti ja muude vajalike komponentidega. Automaatpumba tööpõhimõte on järgmine: Kui elektritoide on sisse lülitatud, hakkab pump veekraani avamisel automaatselt tööle; kui kraan suletakse, seiskub pump automaatselt. Kui koos automaatpumbaga kasutatakse veetorni, tuleb pump ühendada ülemise piirlülitiga ning pump käivitub või seiskub automaatselt sõltuvalt veetasemest tornis.

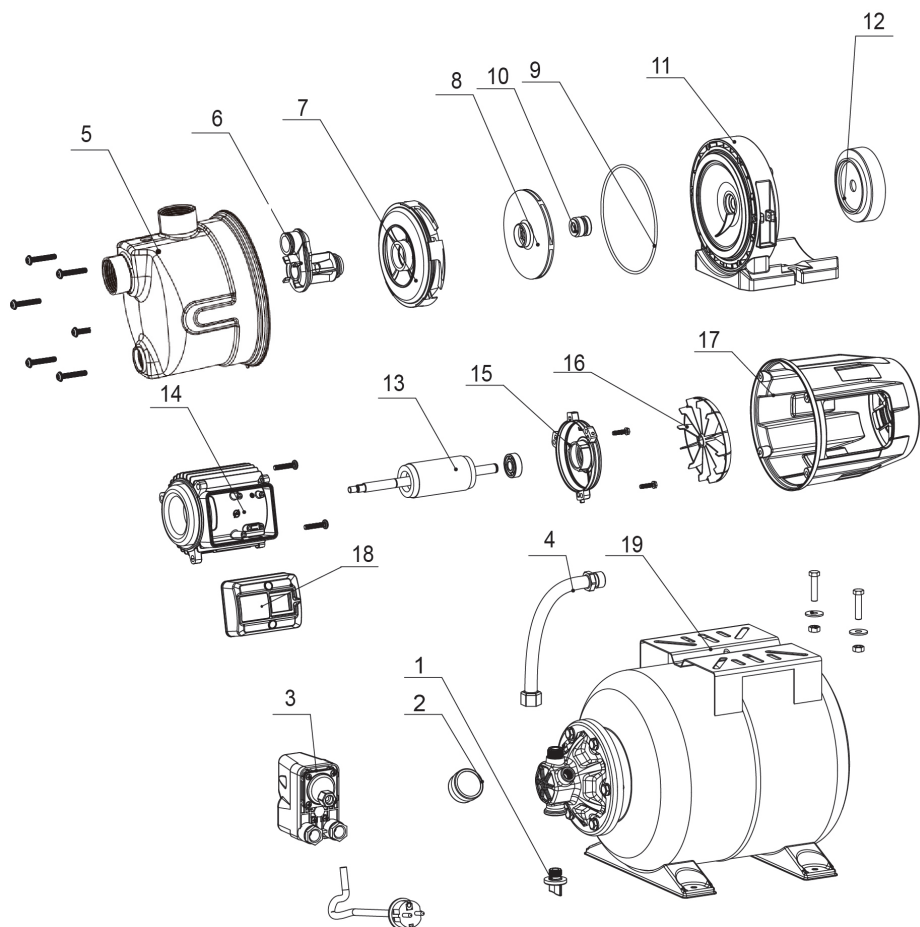
## 2. Tehnilised andmed

Mudeli number	DFM882
Maksimaalne vooluhulk	3.6m <sup>3</sup> /h
Maksimaalne tõstekõrgus	40m
Sisendvõimsus	800W
Maksimaalne imikõrgus	7m
Kaitseaste	IPX4
Isolatsiooniklass	F
Max vee temperatuur	+35 °C

## 3. Ohutusjuhised

- 1) Elektrilise pumba normaalse ja ohutu töö tagamiseks tuleb kasutusjuhend enne pumba kasutuselevõtmist tähelepanelikult läbi lugeda.
- 2) Elektrilöögi vältimiseks tuleb tagada, et pump on ohutult maandatud ja varustatud rikkevoolukaitsmega. Pumpa pistik ei tohi märjaks saada ja kasutada ei tohi pistikupesasid, mis paiknevad kõrge niiskustasemega piirkonnas.
- 3) Õnnetuse ärahoidmiseks tuleb vältida töötava elektrilise pumba puudutamist ning selle läheduses ei tohi pesta, ujuda ega kariloomi vee juurde lasta.
- 4) Vältida tuleb surveveeja suunamist elektrilisele pumbale. Pumpa ei tohi vette sukeldada.
- 5) Pumpa tuleb hoida hästi ventileeritud kohas.
- 6) Kui ümbritseva keskkonna temperatuur on alla 4 °C või kui pumpa ei kasutata pika aja jooksul, tuleb pumbas olev vedelik külmumise vältimiseks välja lasta.
- 7) Pumbatav vedelik võib olla kuum ja kõrge rõhu all. Enne pumba lahtiühendamist ja lahtivõtmist sulgeda pumba ees ja järel olevad ventiilid ning tühjendada pump ja torud põletusohu vältimiseks vedelikust.
- 8) Mitte kunagi ei tohi pumpa kasutada kergesti süttivate, gaasistatud või plahvatusohtlike vedelike teiseldamiseks, mida ei ole käesolevas juhendis lubatud vedelike loendis esitatud.
- 9) Elektritoitepinge peab vastama pumba andmesildil märgitud pingele. Kui pumpa ei kasutata pikemat aega, tühjendada see täielikult, loputada puhta veega ja panna kuiva, hästiventileeritud kohta hoiule.

## 4. Seadme konstruktsioon



Nr	Osa	Nr	Osa
1	Kork	11	Mootori ärik
2	Manomeeter	12	Esiplaat
3	Rõhulüliti	13	Roor
4	Painduv voolik	14	Staator
5	Pumba korpus	15	Tagumine kate
6	Pihusti	16	Ventilaator
7	Suunav ketas	17	Mootori kate
8	Tööratas	18	Lülituskarp
9	Rõngastihend	19	Tank
10	Tihend		

## 5. Torude paigaldamine



Seda toodet tohib paigaldada ja hooldada asjakohase kvalifikatsiooniga isik, kes on tutvunud käesoleva juhendiga.

Paigaldamisel ja kasutamisel tuleb järgida kohalikke eeskirju ja tunnustatud tööstandardeid.

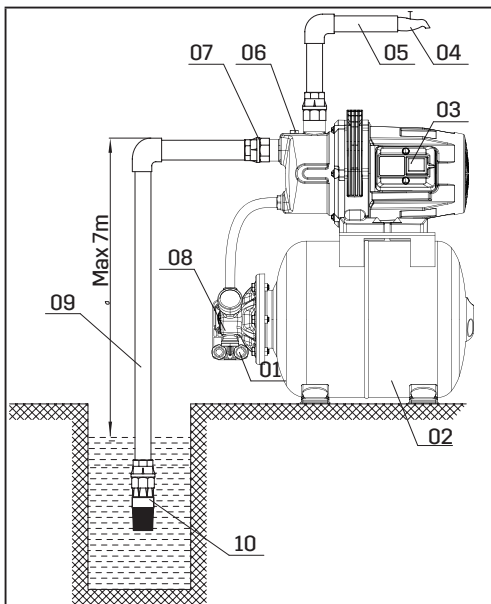
Torud tuleb paigaldada vastavalt käesoleva juhendi nõuetele ja torud peavad olema külmumise eest kaitstud.

1. Sissevoolutoru peab olema võimalikult lühike ja käänukohtade arv minimaalne. Pump peab paiknema kuivas ja hästi ventileeritud kohas. Välistingimustesse paigaldamise korral tuleb kontrollida, et pump on ilmastikukindla kattega kindlalt kaitstud.
2. Sisse- ja väljavoolutorudele tuleb paigaldada ventiilid. Sissevoolutorule paigaldatav ventiil peab olema tagasilöögiventiiil.

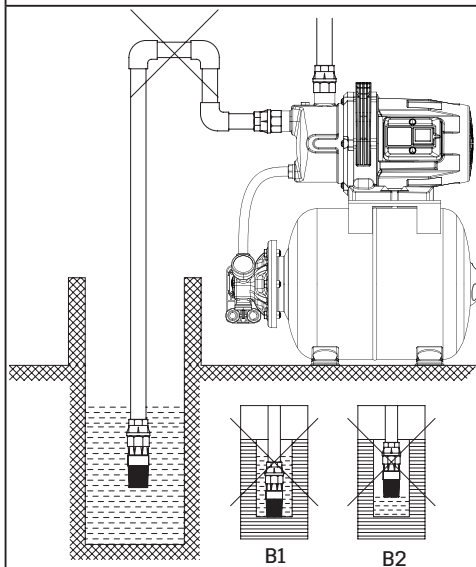


Maksimaalne veetemperatuur: 35 °C

Minimaalne veetemperatuur: 4 °C



Õige paigaldusjoonis A



Ebaõige paigaldusjoonis B

A:

- |                      |                    |
|----------------------|--------------------|
| 1. Tühjendusava kork | 6. Täitmisava kork |
| 2. Paak              | 7. Ühendus         |
| 3. Elektriline pump  | 8. Rõhulüliti      |
| 4. Veekraan          | 9. Sissevoolutoru  |
| 5. Väljavoolutoru    | 10. Põhjklapp      |

B: Juhised sissevoolutoru paigaldamiseks

- 1) Sissevoolutoruks ei tohi kasutada pehmet kummitoru.
- 2) Põhjklapp peab paiknema vertikaalselt ja u. 30 cm kõrgusel põhjast, et ära vältida setete sisseimu (A2).
- 3) Kõik sissevoolutoru ühenduskohad peavad olema hermeetilised. Vee tõhusa sisseimu tagamiseks peab toru käänukohtade arv olema võimalikult väike.
- 4) Sissevoolutoru läbimõõt ei tohi olla pumba sissevooluava läbimõödust väiksem, et vältida liigset rõhukadu ja väikest vooluhulka.
- 5) Pumba töötamise ajal tuleb jälgida vee taset. Põhjklapp ei tohi olla veepinnast kõrgemal (A1).
- 6) Juhul kui sissevoolutoru on üle 10 m pikk või kui imikõrgus ületab 4 m, peab sissevoolutoru läbimõõt olema pumba sissevooluava läbimõödust suurem.
- 7) Torustikku paigaldamise korral tuleb kontrollida, et torustikus olev rõhk ei mõjuta pumba tööd.
- 8) Sissevoolutorule on soovitatav paigaldada filter, et vältida tahkete osakeste sattumist elektrilisse pumba.
- 9) Enne esimest kasutamist tuleb sissevoolutoru täita täielikult veega ja sellele peab olema paigaldatud põhjklapp.

Juhised väljavoolutoru paigaldamiseks

Väljavoolutoru läbimõõt ei tohi olla väiksem

kui pumba väljavooluava läbimõõt, et tagada võimalikult väike rõhukadu, voolamiskiirus ja voolamismüra.

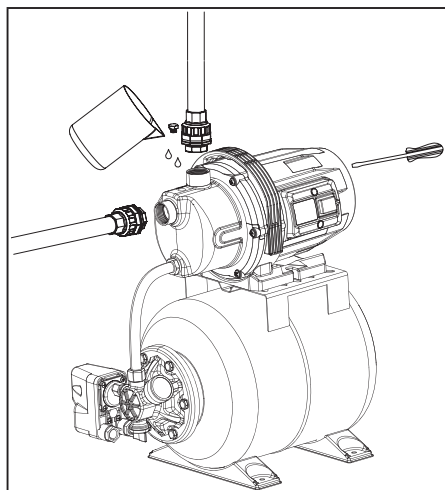
## 6. Kasutuselevõtmine ja hooldamine



Pumpa ei tohi käivitada enne, kui pumbakamber on täielikult veega täidetud.

Elektrilist pumpa ei tohi puudutada enne, kui selle elektritoide on olnud vähemalt 5 minutit välja lülitatud.

Pumba korpust ei tohi lahti monteerida enne, kui pumbakamber on täielikult veest tühjendatud.



Enne käivitamist keerata ventilaatorit kruvikeerajaga, et kontrollida, kas pump pöörleb vabalt. Eemaldada täitmisava kork ja täita pumbakamber täielikult puhta veega, seejärel keerata täitmisava kork tagasi.

Hoida ventiil käivitamise ajal täielikult avatud. Kui pump töötab normaalselt, seada ventiili abil vooluhulk sobivaks. (Pumba vooluhulk ja tõstekõrgus on märgitud andmesildile).



### Märkus

1) Kui 5 minuti jooksul pärast pumba veega täitmist ja käivitamist ei hakka see vett pumpama, lülitada pump välja ja täita uuesti või kontrollida sissevoolutoru lekete puudumist, seejärel käivitada pump uuesti.

2) Külumumisohtu korral eemaldada õhupaagilt tühjenduskork ja eemaldada vesi pumbakambrist täielikult. Enne pumba uuesti käivitamist tuleb eemaldada täitmisava kork, täita pump täielikult veega ja keerata täitmisava kork tagasi.

3) Juhul kui pumba ei kasutata pikema aja jooksul, eemaldada pumbakambrist vesi ja panna pump kuiva, hästiventileeritud kohta hoiule.

4) Kui ümbritseva keskkonna temperatuur on kõrge, tuleb kontrollida, et pump töötab hästi ventileeritud kohas, et vältida elektrilistele osadele kondenseeruvast veest põhjustatud elektririkkeid.

5) Pumba mootori ülekuumenemise või ebanormaalse töö korral lülitada elektritoide kohe välja ja püüda leida tõrke põhjus vastavalt alljärgnevale tabelile.

## 7. Tõrgete kõrvaldamine



Pumpa tohib kontrollida alles pärast elektritoite väljalülitamist.

Tõrke tunnus	Põhjus	Kõrvaldamine
Mootor ei käivitu	Ühefaasiline toitepinge (kolmefaasiline elektrimootor): a. toitelüliti halb ühendus b. kaitse on läbi põlenud c. toitejuhe on lahti d. kaabli faasiviga.	a. Parandada lüliti kontakt või vahetada lüliti välja. b. Vahetada kaitse välja. c. Kontrollida ja pingutada toitepistiku klemme. d. Parandada või vahetada kaabel välja.
	Kondensaator on läbi põlenud.	Asendada sama tüüpi kondensaatoriga (saata remondiks hooldusettevõttesse).
	Pumba võll ja laager on kinni kiildunud.	Vahetada laager välja (saata remondiks hooldusettevõttesse).
	Tööratas on kinni kiildunud.	Pöörata pumba ventilaatorit kruvikeerajaga, et võll hakkaks vabalt pöörlema või demonteerida pumba korpus võörkehade eemaldamiseks.
	Staatori mähis on kahjustunud.	Vahetada mähised välja (saata remondiks hooldusettevõttesse).

Mootor töötab, kuid vett ei tule	Pumba vale pöörlemissuund.	Vahetada mootori kahe faasi juhtmed (kolmefaasiline mootor).
	Pump ei ole täielikult veega täidetud.	Täita pump täielikult veega.
	Tööratas on kahjustunud.	Vahetada tööratas välja (saata remondiks hooldusettevõttesse).
	Imitoru leke	Kontrollida imitoru ühenduste hermeetilisust.
	Veetase on liiga madal.	Reguleerida pumba paigalduskõrgust.
	Vesi on torus või pumbakambris külmunud.	Käivitada pump pärast seda, kui jää on sulanud.
	Liiga kuum vesi võib kahjustada plastosasid.	Vahetada kahjustatud osad välja (saata remondiks hooldusettevõttesse).
Ebapiisav surve	Vale pumbatüüp	Valida sobiv mudel.
	Sissevoolutoru on liiga pikk või liiga paljude käänukohtadega või/ja toru läbimõõt on vale.	Paigaldada õige läbimõõduga toru ja teha sissevoolutoru võimalikult lühike.
	Sissevoolutoru, sõelfilter või pumbakamber on võõrkehadest ummistunud.	Puhastada sissevoolutoru, põhjaklapp või pumbakamber, eemaldada võõrkehad.
Mootor töötab katkendlikult või staatori mähis on läbi põlenud	Tööratas on kinni kiildunud või pump on töötanud pikka aega ülekoormusel.	Kõrvaldada võõrkehad pumbakambrist; vältida andmesildile märgitud vooluhulga ületamist.
	Ebaõige maandus, katkine kaabel või pumpa on tabanud pikselööök.	Maandada pump õigesti, vahetada katkine kaabel välja ja vahetada mähised välja.



Läbikriipsutatud ratastel prügikonteineri tähendus

Ärge kõrvaldage elektriseadmeid koos olmejäätmetega, vaid viige need kogumispunkti.

Vajaduse korral pöörduge kogumiskeskuse leidmiseks kohaliku omavalitsuse poole.

Kui elektriseadmed viiakse prügimäele, võivad nendes olevad ohtlikud ained põhjavette lekkida ning toiduahelasse sattumisel teie tervist ja heaolu kahjustada.

Vanade seadmete asemel uute ostmise korral on edasimüüja kohustatud teie vana seadme töötlemiseks tasuta vastu võtma.

## Garantii

Me pöörame erilist tähelepanu kvaliteetsete materjalide valikule ja kasutame tootmistehnikaid, mis võimaldavad meil luua tänapäevase disaini ja vastupidavusega tooteid. Tootja annab sellele tootele (DFM882) tootmisvigade suhtes 2-aastase lisakuludeta garantii alates ostu- (kui on ostetud poest) või tarnekuupäevast (kui on ostetud veebist).

Selle garantii alusel nõude esitamiseks peate esitama ostutõendi (näiteks müügikviitungi, ostuarve või muu kehtiva õiguse kohaselt aktsepteeritava tõendi). Seetõttu hoidke ostutõendit kindlas kohas. Garantii kehtimiseks peab ostetud toode olema müüdud uuena, see ei kehti kasutatud või väljapanekutoodete kohta. Kui kohaldatavas õiguses ei ole sätestatud teisiti, kehtib garantii alusel väljastatud asendustoote garantii ainult esialgse garantiiaja lõpuni.

Garantii hõlmab toote rikkeid ja talitlushäireid, kui toodet kasutati ettenähtud otstarbel, kui see paigaldati, seda puhastati ja hooldati tingimustes ja kasutusjuhendis sisalduva teabe kohaselt ja tavapraktikat järgides, tingimusel et tavapraktika ei ole vastuolus kasutusjuhendiga. Garantii ei hõlma defekte ja kahjustusi, mis on põhjustatud tavalisest kulumisest ja kahjustustest, mis võivad olla tingitud toote ebaõigest kasutamisest, vigasest paigaldamisest või kokkupanekust, hooletusest, õnnetusest, väärkasutamisest või muutmisest. Kui kohaldatavast õigusest ei tulene teisiti, ei kata garantii mingil juhul lisakulusid (saatmine, demonteerimise ja uuesti paigaldamise kulud, tööjõud jne) ega otseseid ja kaudseid kahjusid.

Garantii ei hõlma defekte ja kahjustusi, mis on põhjustatud või tulenevad järgmistest asjaoludest:

- Harilik kulumine;

- Ülekoormus, väärkasutus või hooletus;
- Muude kui volitatud esindaja tehtud parandustööd;
- Iluvead;
- Võõrkehaded, ainetest või õnnetusjuhtumistest põhjustatud kahjustused;
- Juhuslik kahjustus või muudatus;
- Tootja suuniste eiramine;
- Kauba kasutamisel tekkinud kadu.

Kui toode on defektne, parandame või asendame selle mõistliku aja jooksul. Garantiikohased õigused kehtivad riigis, kus te selle toote ostsite. Garantiiga seotud päringud tuleb esitada kauplusele, kust te selle toote ostsite.

Garantii täiendab teie seadusest tulenevaid õigusi ega mõjuta neid.

EE

# EL-i nõuetele vastavuse deklaratsioon

**Meie**

**Onninen Oy**

**Address:** Satamakatu 3, FI-00160, Helsinki, Finland

**Telefon:** +358-10 53032

**Faks:** +358-9 857 4783

**kinnitame oma ainuvastutusel, et käesolev toode**

Seade: PUMP-VEEAUTOMAAT

Mark: OPAL

Mudel/tüüp: DFM882/EKJ-803SSA

**vastab järgmiste direktiivide nõuetele:**

Masinadirektiiv (MD) 2006/42/EÜ

elektromagnetilise ühilduvuse direktiiv (EMC) 2014/30/EÜ

RoHS 2011/65/EU Annex II & (EU) 2015/863

**ja rakendatud on järgmisi harmoneeritud standardseid ja tehnilisi normdokumente:**

MD:

EN 60335-1:2012+A11+A13+A1+A14+A2+A15

EN IEC 60335-2-41:2021+A11

EN 62233:2008

EMC:

EN IEC 55014-1:2021

EN IEC 55014-2:2021

EN IEC 61000-3-2:2019+A1

EN 61000-3-3:2013+A1+A2

Helsinki, Finland, October 30<sup>th</sup>, 2024

Kesko Corporation Group Companies



Ville Särkilahti - General Manager

## **Drošības informācija (LV)**

### **Vispārīgi drošības brīdinājumi**

- Šo ierīci nedrīkst lietot bērni, kas nav sasnieguši 8 gadu vecumu. Bērni, kas sasnieguši 8 gadu vecumu, kā arī cilvēki ar fiziskiem, maņu vai garīgiem traucējumiem un cilvēki bez pieredzes un zināšanām šo ierīci drīkst lietot, ja viņi tiek uzraudzīti vai ir saņēmuši norādījumus par ierīces drošu lietošanu un saprot ar to saistītos apdraudējumus. Tīrīšanu un lietotāja apkopi drīkst veikt tikai bērni vecumā no 8 gadiem un tikai uzraudzībā.
- Pirms montāžas, demontāžas vai tīrīšanas vienmēr atvienojiet ierīci no strāvas padeves.
- Ierīces var lietot personas ar ierobežotām fiziskajām, maņu vai garīgajām spējām vai ar nepietiekamu pieredzi un zināšanām, ja tās tiek uzraudzītas vai instruētas par ierīces lietošanu drošā veidā un ja tās saprot ar to saistītos apdraudējumus.
- Bērni nedrīkst spēlēt ar ierīci.
- Sūkņus bez norādes, ka tie ir aizsargāti pret sasalšanas iedarbību, nedrīkst atstāt ārā aukstā laikā.
- Uzmanību! Ja strāvas vads ir bojāts, tas jānomaina ražotājam, tā servisa pārstāvim vai līdzīgi kvalificētām personām, lai izvairītos no drošības apdraudējuma.

- Iepazīstieties ar ierīces darbību, regulēšanu un funkcijām. Lai izvairītos no iespējamiem riskiem un apdraudējumiem, ievērojiet drošības un lietošanas instrukcijas.
- Ja pēc lietošanas instrukcijas izlasīšanas rodas jautājumi, sazinieties ar kvalificētu speciālistu vai izplatītāju.
- Uzglabājiet lietošanas instrukciju tā, lai tā būtu pieejama visiem lietotājiem. Nododiet to tālāk arī tad, kad dodat produktu citiem.
- Nemēģiniet nekādā veidā pārveidot izstrādājumu. Izmantojiet tikai ražotāja ieteiktos piederumus un papildierīces.
- Izmantojiet izstrādājumu tikai saskaņā ar šo lietošanas instrukciju. Nepareiza lietošana un nepareiza rīcība var radīt apdraudējumu cilvēkiem un īpašumam.
- Nelietojiet izstrādājumu, ja ir redzami bojājumi. Pirms katras lietošanas reizes pārbaudiet strāvas vadu, kontaktdakšu, pievienotās šļūtenes un apvalku. Bojāti izstrādājumi ir jālabo vai pienācīgi jāiznīcina.
- Nekavējoties atvienojiet izstrādājumu no strāvas padeves, ja ir bojāts vads vai izstrādājums, vai ja rodas bojājums.
- Nosūtiet izstrādājumu remontēt tikai kvalificētam speciālistam. Nepareizi veikts remonts var izraisīt elektriskās strāvas triecienu

vai citus negadījumus.

- Lai atvienotu izstrādājumu no strāvas padeves, velciet kontaktdakšu, nevis strāvas vadu.
- Neļaujiet strāvas vadam karāties pāri malām, nespiediet to un nelieciet.
- Ja pagarinātāja izmantošana ir neizbēgama, izmantojiet pagarinātājus, kas atbilst šī izstrādājuma tehniskajām prasībām. Lietojot izstrādājumus ārpus telpām, izmantojiet pagarinātāju, kas piemērots lietošanai ārpus telpām.

## **Sūkņa drošības brīdinājumi**

- Iekārta jāuzstāda saskaņā ar nacionālajiem elektroinstalācijas noteikumiem.
- Sūknis jābaro, izmantojot atlikušās strāvas ierīci (RCD), kuras nominālā atlikusī darba strāva nepārsniedz 30 mA.
- Novērsiet bērnu piekļuvi ar atbilstošiem pasākumiem.
- Neizmantojiet sūkni, ja ūdenī atrodas cilvēki.
- Neiedarbiniet sūkni bez ūdens.
- Pārlicinieties, ka sūknis neiesūc jūras iemītniekus (piemēram, zivis).
- Ņemiet vērā, ka šķidruma piesārņojums var rasties smērvielu noplūdes dēļ.
- Aizsargājiet elektriskos savienojumus un vadus no karstuma, eļļas, asām malām un mitruma.

- Pasargājiet sūkni no sala un darbības sausumā.
- Izvairieties no abrazīvu materiālu agresīvu šķidrumu cirkulācijas.
- Neizmantojiet strāvas vadu, lai transportētu vai nostiprinātu izstrādājumu. Piestipriniet virvi pie roktura, lai to varētu iegremdēt, pacelt vai nostiprināt.
- Ja nepieciešams, pārbaudiet un iztīriet sūkņa izplūdes un ieplūdes atveri.
- Nesūknējiet šķidrumus ar smiltīm vai citām abrazīvām vielām. Tas palielina nodilumu un samazina sūkņa jaudu.
- Izstrādājums ir paredzēts tīram ūdenim, kurā suspendēto piemaisījumu diametrs nepārsniedz 1 mm.
- Sūknis jāizmanto ūdens sūknēšanai ar temperatūru zem 35 °C, neizmantojiet izstrādājumu citiem šķidrumiem (ogļūdeņražiem, eļļām, kodīgiem šķidrumiem, uzliesmojošiem šķidrumiem...).
- Nekad nelietojiet sūkni, ja pastāv sala draudi.
- Izstrādājums nav paredzēts ilgstošai lietošanai. Lūdzu, atpūtiniet to 10 minūtes pēc katras darbības stundas.

### **Ārkārtas situācija**

Iepazīstieties ar šī izstrādājuma lietošanu, izmantojot šo lietošanas instrukciju. Atcerieties drošības norādījumus un precīzi tos ievērojiet. Tas palīdzēs novērst riskus un apdraudējumus.

1. Lietojot šo produktu, vienmēr esiet modri, lai savlaicīgi varētu atpazīt

un novērst riskus. Ātra iejaukšanās var novērst nopietnus ievainojumus un materiālos zaudējumus.

2. Ja rodas darbības traucējumi, atvienojiet no strāvas padeves. Pirms atkārtotas ierīces lietošanas uzticiet tās pārbaudi kvalificētam speciālistam un, ja nepieciešams, to salabojiet.

### **Atlikušie riski**

Pat tad, ja jūs lietojat šo izstrādājumu saskaņā ar visām drošības prasībām, saglabājas iespējamie traumu un bojājumu riski. Saistībā ar šī izstrādājuma konstrukciju un dizainu var rasties šādas briesmas:

1. Veselības apdraudējumi, ko izraisa vibrācijas emisija, ja izstrādājums tiek lietots ilgstoši vai netiek pienācīgi pārvaldīts un pienācīgi uzturēts.
2. Traumas un materiālie bojājumi, kas radušies no salauztiem stiprinājumiem vai pēkšņa slēptu priekšmetu trieciena lietošanas laikā.
3. Bīstamība gūt traumas un nodarīt materiālos zaudējumus, ko var radīt lidojoši priekšmeti.
4. Sprādziena risks.



**BRĪDINĀJUMS!** Šis izstrādājums darbības laikā rada elektromagnētisko lauku! Šis lauks noteiktos apstākļos var traucēt aktīviem vai pasīviem medicīniskiem implantiem! Lai samazinātu nopietnu vai letālu traumu risku, mēs iesakām personām ar medicīniskiem implantiem pirms šī izstrādājuma lietošanas konsultēties ar savu ārstu un medicīnisko implantu ražotāju!

### **1. Pielietojumi**

Šo ierīci var izmantot, piemēram, māsasaimniecības ūdensapgādei, aprīkojuma atbalstam, akas ūdens līmeņa paaugstināšanai, spiediena palielināšanai cauruļvados, dārza laistīšanai, siltumnīcas laistīšanai, zivsaimniecībā un mājputnu audzēšanā.

To var izmantot ar tīru ūdeni un citiem nekorodējošiem šķīdriem, kuriem ir zems viskozitātes līmenis. Nedrīkst izmantot uzliesmojošu, sprādzienbīstamu, gazificētu, kā arī cietas daļiņas vai šķiedras saturošu šķīdriem pārvietošanai. Šķīdriem PH līmenim jābūt robežās no 6,5 līdz 8,5.

## Piezīme!

Sūknis var darboties automātiski, aprīkots ar spiediena tvertni, spiediena slēdzi un citām nepieciešamajām daļām. Automātiskā sūkņa darbība: pēc strāvas ieslēgšanas ieslēdziet ūdens krānu, un sūknis sāks darboties automātiski; izslēdzot ūdens krānu, sūknis automātiski beigs darbu. Ja kopā ar automātisko sūkni tiek izmantots ūdens tornis, pievienojiet to pie augšējā gala slēdža, un sūknis automātiski sāks vai beigs darboties atkarībā no ūdens līmeņa ūdens tornī.

## 2. Tehniskie dati

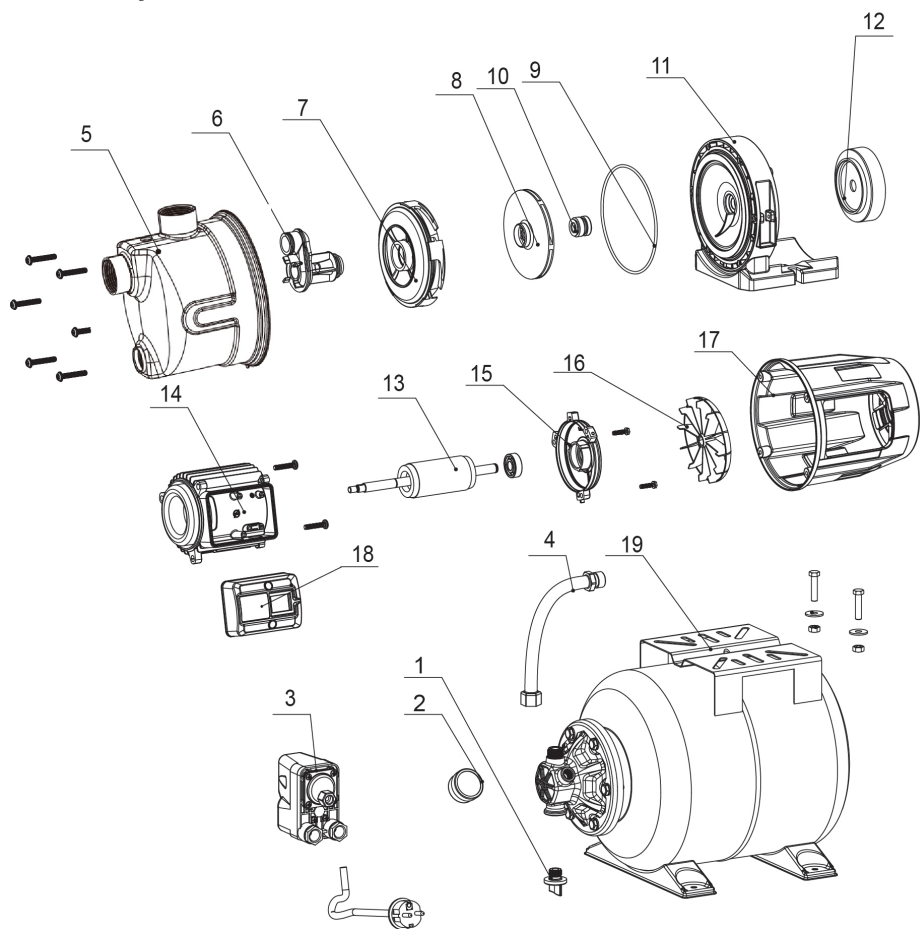
Modeļa numurs	DFM882
Maksimālā plūsma	3.6m <sup>3</sup> /h
Galvas maksimums	40m
Ieejas jauda	800W
Maksimālā iesūkšana	7m
Aizsardzības klase	IPX4
Izolācijas klase	F
Maks. ūdens temperatūra	+35 °C

## 3. Drošības pasākumi

- 1) Lai panāktu normālu un drošu elektriskā sūkņa ekspluatāciju, pirms lietošanas uzmanīgi izlasiet rokasgrāmatu.
- 2) Lai izvairītos no elektrošoka, pārliecinieties, vai sūknis ir droši iezemēts un aprīkots ar zemējuma noplūdes slēgiekārtu. Nedrīkst pieļaut kontaktdakšas samirkšanu; neizmantojiet kontaktlīgzdu vietās, kurās ir augsts mitruma līmenis.
- 3) Neaizskariet elektrisko sūkni darba laikā; nemazgājieties un nepeldieties darba zonas tuvumā, kā arī nepieļaujiet dzīvnieku ieiešanu ūdenī, lai izvairītos no negadījumiem.
- 4) Elektriskajam sūknim nedrīkst uzšļakstīties ūdens zem spiediena. Sūkni neiegremdējiet ūdenī.
- 5) Sūkni glabājiet labi vēdināmā vietā.
- 6) Ja vides temperatūra ir zem 4 °C vai sūknis nav ilgāku laiku izmantots, jāizlaiž tajā esošais šķidrums, lai nodrošinātos pret sasalšanu un salu.
- 7) Sūknētais šķidrums var būt karsts un zem augsta spiediena — atcerieties par to pirms sūkņa pārvietošanas un demontāžas. Vispirms ir jāizslēdz vārsti abās sūkņa pusēs un pēc tam jāizlaiž šķidrums no sūkņa un cauruļvadiem, lai neapplaucētos.
- 8) Sūkni nekad neizmantojiet uzliesmojošu, gazificētu, sprādzienbīstamu vai šajā rokasgrāmatā nenorādītu šķidrumu sūknēšanai.

9) Strāvas padevei ir jāatbilst nosaukuma plāksnītē norādītajam spriegumam. Ja sūknis netiks izmantots ilgāku laiku, iztukšojiet to pilnībā, izmazgājiet ar tīru ūdeni un glabājiet sausā vietā, kurā ir laba ventilācija.

#### 4. Izstrādājuma struktūra



Poz.	Daļa	Poz.	Daļa
1	Noslēgs	11	Motora atloks
2	Mērinstruments	12	Priekšējā plāksne
3	Spiediena slēdzis	13	Rotors
4	Elastīgā caurule	14	Stators
5	Sūkņa korpuss	15	Aizmugurējais vāks
6	Injektors	16	Ventilators
7	Difuzors	17	Motora pārsegs
8	Lāpstiņritenis	18	Slēdžu kārba

9	Blīvgredzens	19	Tvertne
10	Mehāniskā blīve		

## 5. Cauruļvadu uzstādīšana

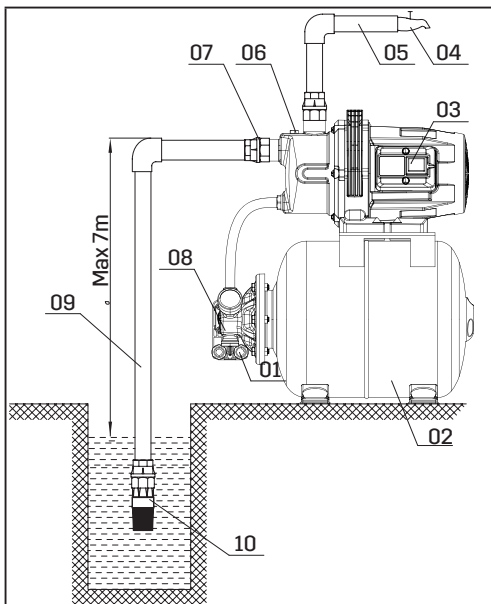


Šī izstrādājuma uzstādīšana un apkope ir jāveic kvalificētam darbiniekam, kurš labi pārzina šo instrukciju. Uzstādīšanai un ekspluatācijai ir jāatbilst vietējiem noteikumiem un atzītiem darbības kritērijiem. Uzstādiet pareizi cauruļvadu atbilstoši šīs instrukcijas prasībām un aizsargājiet to pret sasalšanu.

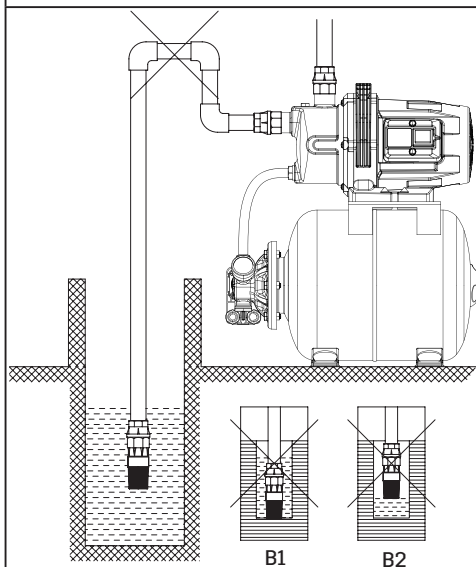
1. Ieejas cauruļvadu izveidojiet pēc iespējas īsāku un uzstādot izmantojiet pēc iespējas mazāk līkumu. Sūkni glabājiet sausā un labi vēdināmā vietā. Uzstādot ārā, sūknim jānodrošina pārsegs, kas to var pienācīgi aizsargāt pret laikapstākļu ietekmi.
2. Ieejas un izejas cauruļvadiem ir jāuzstāda vārsti. Ieejas cauruļvadam ir jāuzstāda vienvirziena vārsts.



Maksimālā ūdens temperatūra: 35 °C  
Minimālā ūdens temperatūra: 4°C



Pareizas uzstādīšanas shēma A



Nepareizas uzstādīšanas shēma B

A:

- |                        |                             |
|------------------------|-----------------------------|
| 1. Drenāžas noslēgts   | 6. Uzpildes vietas noslēgts |
| 2. Tvertne             | 7. Atsaite                  |
| 3. Elektriskais sūkņis | 8. Spiediena slēdzis        |
| 4. Ūdens krāns         | 9. Ieejas cauruļvads        |
| 5. Izejas cauruļvads   | 10. Kājas vārsts            |

B: Piezīmes par ieejas cauruļvada uzstādīšanu:

- 1) ieejas cauruļvadā sūkņa uzstādīšanas laikā neizmantojiet mīkstu gumijas cauruli;
- 2) apakšas vārsts ir jāuzstāda vertikāli 30 cm atstatumā no ūdens apakšas, lai izvairītos no nogulšņu iesūkšanas (A2);
- 3) visiem ieejas cauruļvada savienojumiem jābūt noblīvētiem; lai nodrošinātu ūdens iesūkšanu, jāsamazina cauruļvada līkumu skaits;
- 4) lai izvairītos no lieliem hidraulikas zudumiem un mazas plūsmas, ieejas cauruļvada diametrs nedrīkst būt mazāks par sūkņa ieeju;
- 5) darbības laikā pievērsiet uzmanību ūdens līmenim; apakšas vārsts nedrīkst atrasties virs ūdens virsmas (A1);
- 6) ja ieejas cauruļvada garums pārsniedz 10 m vai tā celšanas augstums tiek pārsniegts par vairāk nekā 4 m, ieejas cauruļvada diametram ir jāpārsniedz sūkņa ieejas diametrs;
- 7) nodrošiniet, lai cauruļvada spiediens cauruļvada uzstādīšanas laikā neietekmētu sūkni;
- 8) lai elektriskajā sūkņī neiekļūtu cietas daļiņas, ieejas cauruļvadā ieteicams uzstādīt filtru;
- 9) pirms pirmās darbības ieejas cauruļvadā ir jābūt pilnībā uzpildītam ar ūdeni un aprīkotam ar apakšas vārstu.

Piezīme par izejas cauruļvada uzstādīšanu:

lai spiediena kritumu, augstu plūsmas ātrumu un troksni samazinātu līdz minimumam, izejas cauruļvada diametrs nedrīkst būt mazāks par sūkņa izejas diametru.

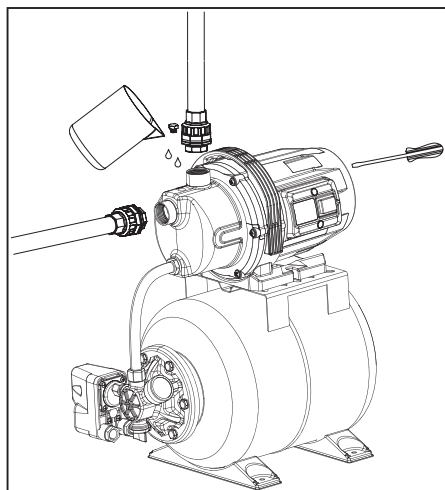
## 6. Palaišana un apkope



Neieslēdziet sūkni, pirms sūkņa nodalījums ir pilnībā uzpildīts ar ūdeni.

Neaizskariet elektrisko sūkni, ja tam strāva nav atslēgta vairāk nekā 5 minūtes.

Ja ūdens nav pilnībā izlaists no sūkņa nodalījuma, nenoņemiet sūkņa pārsegu.



Pirms iedarbināšanas pakustiniet ventilatoru ar skrūvgriezi, lai pārbaudītu, vai sūkņa rotācija ir elastīga. Noņemiet uzpildes vietas aizbāzni un sūkņa nodalījumu pilnībā uzpildiet ar tīru ūdeni, pēc tam ieskrūvējiet uzpildes vietas noslēgu. Iedarbināšanas laikā vārstam ir jābūt pilnīgi atvērtam. Ja sūknis darbojas normāli, noregulējiet vārstam nepieciešamo plūsmu (plūsmas diapazons un galva ir redzama uz nosaukuma plāksnītes).

### **Piezīme.**

- 1) Ja pēc sūkņa uzpildīšanas ar ūdeni un iedarbināšanas 5 minūšu laikā nevar iesūknēt ūdeni, izslēdziet un vēlreiz uzpildiet sūkni vai pārbaudiet ieejas cauruļvadu noplūdi, pēc tam restartējiet sūkni.
- 2) Lai aizsargātu pret salu un sasalšanu, noņemiet izvades noslēgu no gaisa tvertnes un pareizi izlaidiet ūdeni no sūkņa nodalījuma. Pirms sūkņa atkārtotas iedarbināšanas noņemiet uzpildīšanas noslēgu, sūkni pilnībā uzpildiet ar ūdeni un pēc tam uzskrūvējiet uzpildes noslēgu.
- 3) Ja sūknis netiek izmantots ilgāku laiku, izlaidiet ūdeni no sūkņa nodalījuma un sūkni glabājiet sausā, labi vēdinātā vietā.
- 4) Ja vides temperatūra ir augsta, pārliedzinieties, vai sūknis darbojas labi vēdināmā vietā, lai izvairītos no elektrības kļūmēm, ko izraisa rasa uz elektrības daļām.
- 5) Ja sūkņa motors ir pārkaris vai darbojas savādi, nekavējoties atslēdziet strāvas padevi un pārbaudiet kļūmes stāvokli pēc nākamās tabulas.

## 7. Problēmu novēršana



Pēc strāvas atslēgšanas pārbaudiet sūkni.

Problēma	Iemesls	Koriģējošā darbība
Nevar iedarbināt motoru	Vienas fāzes strāvas padeve (trīs fāzu elektromotors): a. slikts strāvas slēdža savienojums; b. izdedzis drošinātājs; c. vaļīgs strāvas pievads; d. kabeļa fāzes atteice.	a. salabojiet slēdža kontaktu vai nomainiet slēdzi; b. nomainiet drošinātāju; c. pārbaudiet un pievelciet strāvas savienotāju; d. salabojiet vai nomainiet kabeļus.
	Izdedzis kondensators.	Nomainiet ar tāda paša veida kondensatoru (nosūtiet remontam uz apkopes punktu).
	Iesprūdusi rotējošā ass un gultnis.	Nomainiet gultni (nosūtiet remontam uz apkopes punktu).
	Iestrēdzis lāpstiņritenis.	Pagrieziet ventilatora lāpstiņas spaiļus rotējošo asi ar skrūvgriezi, lai tā rotētu elastīgi, vai demontējiet sūkņa korpusu, lai notīrītu gružus.
	Bojāts statora tinums.	Nomainiet tinuma spoles (nosūtiet remontam uz apkopes punktu).

Motors darbojas, bet ūdens netiek izvadīts	Nepareizs sūkņa rotācijas virziens.	Pārstatiet motora divu fāzu vadojumu (trīs fāzu motoram).
	Sūknis nav pilnībā uzpildīts ar ūdeni.	Vēlreiz uzpildiet sūkni ar ūdeni.
	Bojāts lāpstīņritenis.	Nomainiet lāpstīņriteni (nosūtiet remontam uz apkopes punktu).
	Iesūkšanas caurules uzstādīšana	Pārbaudiet blīvējumu dažādiem ieplūdes cauruļvadu savienojumiem.
	Pārāk zems ūdens līmenis.	Noregulējiet sūkņa uzstādījuma augstumu.
	Cauruļvadā vai nodalījumā uzkrātais ūdens izraisījis sasalšanu.	Iedarbiniet sūkni pēc ledus izkušanas.
	Pārāk karsts ūdens var izraisīt plastmasas daļu atteici.	Nomainiet bojātās daļas (nosūtiet remontam uz apkopes punktu).
Nepietiekams spiediens	Nepareizs sūkņa veids.	Izvēlieties piemērotu modeli.
	Pārāk garš ieejas cauruļvads vai pārāk daudz izliekumu, vai/un nav izvēlēts nepieciešamais caurules diametrs.	Izmantojiet atrunātā diametra cauruli un izveidojiet īsu ieejas cauruli.
	Ieejas cauruļvadu, filtra sietu vai sūkņa nodalījumu ir nosprostojuši svešķermeņi.	Iztīriet cauruļvadu, kājas vārstu vai sūkņa nodalījumu, notīriet svešķermeņus.
Motors darbojas saraustīti vai izdedzis statora tinums	Iesprūdis lāpstīņritenis vai ilgstoša darbība ar pārslodzi.	Iztīriet svešķermeņus no sūkņa nodalījuma; darbiniet sūkni ar nominālu plūsmu.
	Nepareizs zemējums, pārrauts kabelis vai elektrisko sūkni ir sabojājis zibens.	Pareizi iezemējiet, nomainiet pārrauto kabeli un nomainiet tinumu spoles.



Pārsvītrotas atkritumu tvertnes nozīme:

Nelikvidējiet elektriskas ierīces kā nešķirotus sadzīves atkritumus, nogādājiet tos atsevišķās savākšanas vietās.

Informāciju par pieejamajām savākšanas sistēmām varat noskaidrot savā pašvaldībā.

Ja elektriskas ierīces likvidē atkritumu poligonos vai izgāztuvēs, gruntsūdeņos var noplūst bīstamas vielas, un tās var nokļūt pārtikas aprītē, pasliktinot jūsu veselību un labsajūtu.

Nomainot vecās ierīces pret jaunām, mazumtirgotājam ir juridisks pienākums vismaz bez maksas pieņemt atpakaļ jūsu veco ierīci utilizācijai.

## **Garantija**

Mēs īpaši rūpīgi izvēlamies augstas kvalitātes materiālus un izmantojam ražošanas paņēmienus, kas ļauj mums radīt izstrādājumus, kuros apvienots dizains un izturība. Šim izstrādājumam (DFM882) ir 2 gadu ražotāja garantija pret ražošanas defektiem, sākot no iegādes datuma (ja iegādāts veikalā) vai piegādes datuma (ja iegādāts tiešsaistē), bez papildu izmaksām.

Lai iesniegtu prasību saskaņā ar šo garantiju, jums ir jāuzrāda pirkumu apliecinošs dokuments (piemēram, pirkuma kvīts, pirkuma rēķins vai cits pierādījums, kas ir pieļaujams saskaņā ar piemērojamiem tiesību aktiem); lūdzu, glabājiet pirkumu apliecinājošu dokumentu drošā vietā. Lai piemērotu šo garantiju, iegādātajam izstrādājumam jābūt jaunam, tā neattiecas uz lietotiem vai izstādītiem izstrādājumiem. Ja vien piemērojamie tiesību akti nenosaka citādi, jebkuram saskaņā ar šo garantiju izsniegtajam rezerves izstrādājumam garantija tiek piešķirta tikai līdz sākotnējā garantijas termiņa beigām.

Šī garantija attiecas uz izstrādājuma kļūmēm un darbības traucējumiem, ja izstrādājums tika izmantots tam paredzētajam mērķim un ja tas tika uzstādīts, tīrīts, kopts un uzturēts saskaņā ar šajos noteikumos un nosacījumos, lietotāja rokasgrāmatā un standarta praksē iekļauto informāciju, ja vien standarta prakse nav pretrunā ar lietotāja rokasgrāmatu.

Šī garantija neattiecas uz defektiem un bojājumiem, kas radušies normāla nolietojuma vai bojājumu rezultātā, kas varētu būt radušies nepareizas lietošanas, nepareizas uzstādīšanas vai montāžas, nolaidības, nelaimes gadījuma, nepareizas lietošanas vai izstrādājuma pārveidošanas rezultātā. Ja vien piemērojamie tiesību akti nenosaka citādi, šī garantija nekādā

gadījumā nesedz papildu izmaksas (transportēšanas, pārvietošanas, noņemšanas un atkārtotas uzstādīšanas, darbaspēka u. c. izmaksas), kā arī tiešos un netiešos zaudējumus.

Šī garantija neattiecas uz defektiem un bojājumiem, kas radušies no:

- Parasts nolietojuma;
- Pārslodzes, nepareizas lietošanas vai nolaidības;
- Remontdarbiem, ko mēģina veikt jebkura cita persona, kas nav pilnvarotais pārstāvis;
- Kosmētiskiem bojājumiem;
- Kaitējuma, ko izraisa svešķermeņi, nepiederošas vielas vai nelaimes gadījumi;
- Nejaušiem bojājumiem vai modifikācijām;
- Ražotāja norādījumu neievērošanas;
- Preču lietošanas zaudējuma.

Ja precei ir defekts, mēs saprātīgā termiņā to salabosim vai nomainīsim.

Tiesības saskaņā ar šo garantiju ir īstenojamas valstī, kurā iegādājāties šo izstrādājumu. Ar garantiju saistīti jautājumi jāadresē veikalam, kurā iegādājāties šo izstrādājumu.

Garantija papildina un neietekmē jūsu likumā noteiktās tiesības.

LV

# Atbilstības deklarācija

Mēs,

**Onninen Oy**

**Adrese:** Satamakatu 3, FI-00160, Helsinki, Finland

**Tālrunis:** +358-10 53032

**Fakss:** +358-9 857 4783

**uzņemoties pilnu atbildību, apliecinām, ka ražojums**

Aprikojums: ÜDENS APGĀDES AUTOMĀTS

Zīmols: OPAL

MODELS /tips: DFM882/EKJ-803SSA

## Atbilst

Mašīnu direktīva (MD) 2006/42/EK,

Direktīvai 2014/30/EK par elektromagnētisko savietojamību

RoHS 2011/65/EU Annex II & (EU) 2015/863

**un šiem saskaņotajiem standartiem un tehniskajām specifikācijām:**

MD:

EN 60335-1:2012+A11+A13+A1+A14+A2+A15

EN IEC 60335-2-41:2021+A11

EN 62233:2008

EMC:

EN IEC 55014-1:2021

EN IEC 55014-2:2021

EN IEC 61000-3-2:2019+A1

EN 61000-3-3:2013+A1+A2

Helsinki, Finland, October 30<sup>th</sup>, 2024

Kesko Corporation Group Companies



Ville Särkilähti - General Manager

## Saugos informacija (LT)

### Bendrieji saugos įspėjimai

- Šiuo prietaisu gali naudotis vaikai nuo 8 metų ir vyresni, taip pat asmenys su ribotais fiziniais, jutiminiais ir protiniais gebėjimais arba neturintys patirties ir žinių, jei jie yra prižiūrimi arba buvo instruktuoti, kaip saugiai naudotis prietaisu, ir supranta su tuo susijusius pavojus. Valymo ir priežiūros darbų negali atlikti vaikai, išskyrus atvejus, kai jie yra vyresni nei 8 metų amžiaus ir prižiūrimi.
- Prieš montuodami, ardydami ar valydami prietaisą visada atjunkite jį nuo elektros tinklo.
- Prietaisus gali naudoti asmenys, kurių fiziniai, jutiminiai ar protiniai gebėjimai yra riboti arba kuriems trūksta patirties ir žinių, jei jie buvo prižiūrimi arba instruktuojami, kaip saugiai naudoti prietaisą, ir jei jie supranta su tuo susijusius pavojus.
- Neleiskite vaikams žaisti su prietaisu.
- Siurbliai, ant kurių nėra nuorodos, kad jie yra apsaugoti nuo užšalimo, neturi būti paliekami lauke šaltuoju metų laiku.
- Dėmesio! Jei maitinimo laidas pažeistas, jį turi pakeisti gamintojas, jo techninės priežiūros atstovas arba panašią kvalifikaciją turintis asmenys, kad būtų išvengta pavojaus saugai.
- Susipažinkite su veikimu, reguliavimu ir

funkcijomis. Laikykitės saugos ir naudojimo instrukcijų, kad išvengtumėte galimos rizikos ir pavojaus.

- Jei perskaitę naudojimo instrukciją turite klausimų, kreipkitės į kvalifikuotą specialistą arba prekybos atstovą.
- Instrukcijos vadovą laikykite taip, kad jis būtų prieinamas visiems naudotojams. Taip pat perduokite jį, kai duodate gaminį pasinaudoti kitiems asmenims.
- Jokiu būdu nebandykite modifikuoti gaminio. Naudokite tik gamintojo rekomenduojamus priedus ir papildomas detales.
- Gaminį naudokite tik vadovaudamiesi šia naudojimo instrukcija. Netinkamas naudojimas ir neteisingas valdymas kelia pavojų žmonėms ir turtui.
- Nenaudokite gaminio, jei matoma, kad gaminys pažeistas. Prieš kiekvieną naudojimą patikrinkite maitinimo laidą, kištuką, prijungtas žarnas ir korpusą. Sugedę gaminiai turi būti taisomi arba tinkamai utilizuojami.
- Jei laidas ar gaminys yra pažeistas arba įvyko gedimas, nedelsdami atjunkite gaminį nuo maitinimo šaltinio.
- Gaminio remontą gali atlikti tik kvalifikuotas specialistas. Netinkamai atliktas remontas gali sukelti elektros smūgį arba kitus nelaimingus

atsitikimus.

- Norėdami atjungti gaminį nuo maitinimo šaltinio, traukite kištuką, o ne maitinimo laidą.
- Neleiskite maitinimo laidui kaboti, jo nesuspauskite ir nelankstykite.
- Jei reikia naudoti ilgintuvą, naudokite šio gaminio techninius reikalavimus atitinkančius ilgintuvus. Jei gaminius naudojate lauke, naudokite lauko sąlygoms pritaikytą prailgintuvą.

### **Siurblio saugos įspėjimai**

- Prietaisas turi būti sumontuotas laikantis šalyje galiojančių elektros instaliacijos reglamentų.
- Siurblys turi būti maitinamas per likutinės srovės įtaisą (RCD), kurio vardinė likutinė darbinė srovė neviršija 30 mA.
- Tinkamomis priemonėmis neleiskite vaikams pasinaudoti prietaisu.
- Nenaudokite siurblio, kai vandenyje yra žmonių.
- Nenaudokite siurblio, kai nėra ką pumpuoti.
- Įsitikinkite, kad siurbliu nebus siurbiami jūros gyvūnai (pvz., žuvis).
- Turėkite omenyje, kad siurbiamas skystis gali būti užterštas dėl tepalų nuotėkio.
- Saugokite elektros jungtis ir laidus nuo karščio, alyvos, aštrių briaunų ir drėgmės.
- Saugokite siurblij nuo šalčio ir veikimo sausa eiga.

- Venkite abrazyvinių medžiagų turinčių skysčių pumpavimo.
- Nenaudokite maitinimo laido gaminiui transportuoti ar tvirtinti. Prie rankenos pritvirtinkite virvę, kad galėtumėte panardinti, pakelti ar pritvirtinti prietaisą.
- Kai reikia, patikrinkite ir išvalykite siurblio vandens išleidimo ir įleidimo angas.
- Nepumpuokite skysčių su smėliu ar kitomis abrazyvinėmis medžiagomis. Dėl to padidėja dėvėjimasis ir sumažėja siurblio našumas.
- Gaminys skirtas švaraus vandens pumpavimui, kurio suspenduotų priemaišų skersmuo neviršija 1 mm.
- Siurblys turi būti naudojamas ne didesnės nei 35 °C temperatūros vandeniui pumpuoti, nenaudokite gaminio kitiems skysčiams (angliavandeniliams, alyvoms, koroziją sukeliantiems skysčiams, degiems skysčiams ir kt.).
- Niekada nenaudokite siurblio, kai yra vandens užšalimo rizika.
- Gaminys nėra skirtas nuolatiniam naudojimui. Po kiekvienos 1 valandos veikimo, 10-čiai minučių išjunkite siurblį.

### **Skubūs atvejai**

Susipažinkite su šio gaminio naudojimu vadovaudamiesi šia naudojimo instrukcija. Įsiminkite saugos nurodymus ir tiksliai jų laikykitės. Tai padės išvengti rizikos ir pavojų.

1. Visada būkite budrūs naudodami šį gaminį, kad galėtumėte laiku atpažinti ir pašalinti riziką. Greita reakcija gali padėti išvengti rimtų sužalojimų ir žalos turtui.
2. Esant veikimo sutrikimams, atjunkite siurblių nuo maitinimo šaltinio. Prieš vėl pradėdami naudoti gaminį, leiskite jį patikrinti kvalifikuotam specialistui ir, jei reikia, pataisyti.

### **Liekamosios rizikos**

Net jei šį gaminį naudojate laikydamiesi visų saugos reikalavimų, išlieka galimas pavojus susižeisti ir sugadinti gaminį. Dėl šio gaminio konstrukcijos ir dizaino gali kilti šie pavojai:

1. sveikatos sutrikimai, atsirandantys dėl skleidžiamos vibracijos, jei gaminys naudojamas ilgą laiką arba nėra tinkamai valdomas ir prižiūrimas;
2. sužalojimai ir materialinė žala dėl sulūžusių papildomų detalių arba staigaus paslėptų daiktų smūgio naudojimo metu;
3. pavojus susižeisti ir sugadinti turtą dėl skraidančių objektų;
4. sprogo rizika.



**ĮSPĖJIMAS!** Šis gaminys veikimo metu sukuria elektromagnetinį lauką! Šis laukas tam tikromis aplinkybėmis gali sutrikdyti aktyvias arba pasyvias medicinos priemones! Siekiant sumažinti sunkių ar mirtinų sužalojimų riziką, rekomenduojame asmenims, turintiems medicininių priemonių, prieš naudojant šį gaminį pasikonsultuoti su gydytoju ir medicinos priemonių gamintoju!

### **1. Taikymo sritys**

Taikoma namų ūkio vandens tiekimo sistemai, pagalbinei įrangai, šulinių vandens tiekimo reikmėms, vamzdinių sandarumui užtikrinti, daržams ir sodams laistyti, daržovių šiltnamiams laistyti, žuvininkystei, paukštininkystei ir kt.

Naudokite švariam vandeniui ir kitoms nekorozinėms mažo klampumo medžiagoms, nenaudokite degių, sprogių, dujinių skysčių ir skysčių, kurių sudėtyje yra kietų dalelių ar pluoštų. Skysčio pH vertė turi būti 6,5-8,5.

### **Pastabos**

Siurblys gali veikti automatiškai, įrengus slėginį indą, slėginį jungiklį ir

kitas būtinas dalis. Toliau nurodytos automatinio siurblio veikimo savybės. Kai įjungtas maitinimas, atsukus vandens čiaupą siurblys pradeda veikti automatiškai; vandens čiaupas užsukus siurblys automatiškai sustoja veikęs. Jeigu kartu su automatinio siurblio naudojamas vandens bokštas, prijunkite viršutinės ribos jungiklį, ir siurblys automatiškai sustos veikęs reaguodamas į vandens bokšte esantį vandens lygį.

## 2. Techniniai duomenys

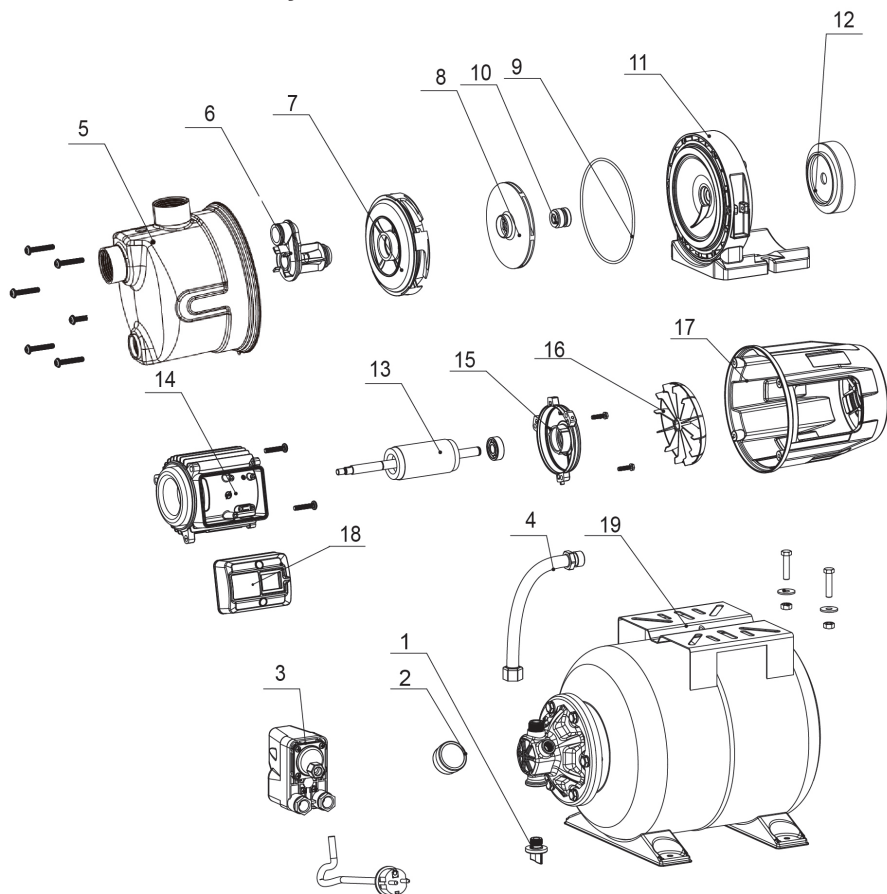
Modelio numeris	DFM882
Maks. srautas	3.6m <sup>3</sup> /h
Maks. atstumas	40m
Įėjimo galia	800W
Maks. siurbimas	7m
Apsaugos rūšis	IPX4
Izoliacijos klasė	F
Maks. vandens temperatūra	+35 °C

## 3. Atsargumo priemonės

- 1) Kad būtų užtikrintas saugus elektrinio siurblio eksploatavimas, prieš naudodami atidžiai perskaitykite naudojimo vadovą.
- 2) Kad išvengtumėte elektros smūgio, siurblys turi būti saugiai įžemintas ir jame įrengtas nuotėkio srovės išjungiklis. Nesušlapinkite kištuko ir nenaudokite jokio lizdo aplinkoje, kurioje didelė drėgmė.
- 3) Kad būtų išvengta nelaimingų atsitikimų, nelieskite elektrinio siurblio, kai jis veikia, neskalbkite ir neplaukite arti darbinės srities, neleiskite į vandenį gyvulių.
- 4) Saugokitės, kad suslėgtasis vanduo neužtikštų ant siurblio. Nenardinkite siurblio į vandenį.
- 5) Pakuotę laikyti gerai vėdinamoje vietoje.
- 6) Jeigu aplinkos temperatūra yra žemesnė negu 4 °C arba siurblys ilgesnį laiką nebuvo naudojamas, siekiant apsaugoti nuo užšalimo daromos žalos skystį jo viduje reikia pašalinti.
- 7) Prieš judindami ir išsardydami siurblių atminti, kad pumpuojamas skystis gali būti karštas ir didelio slėgio. Pirma abiejose siurblio pusėse reikia atsukti vožtuvus, tada reikia pašalinti siurblyje ir vamzdyne esančius skysčius, kad nenusiplikytumėte.
- 8) Niekada nenaudokite siurblio degiems, dujiniams arba sprogiems skysčiams, kurie nenurodyti šiame vadove.
- 9) Maitinimas turėtų būti tokios įtampos, kokia nurodyta gamyklinėje duomenų lentelėje. Jeigu siurblio kintate nenaudoti ilgesnį laiką, visiškai

į jį ištuštinkite, nuplaukite švariu vandeniu ir laikykite sausoje, gerai vėdinamoje vietoje.

#### 4. Gaminio konstrukcija



Poz.	Dalis	Poz.	Dalis
1	Kaištis	11	Variklio flanšas
2	Matuoklis	12	Priekinė plokštė
3	Slėginis jungiklis	13	Rotorius
4	Lankstusis vamzdis	14	Statorius
5	Siurblio korpusas	15	Užpakalinis dangtis
6	Purkštukas	16	Ventiliatorius
7	Difuzorius	17	Variklio gaubtas
8	Sraigtas	18	Jungiklių dėžė
9	O formos jungė	19	Talpykla
10	Mechaninis užraktas		

## 5. Vamzdyno montavimas



Šį gaminį turi montuoti ir prižiūrėti kvalifikuotas asmuo, susipažinęs su šia instrukcija.

Montuoti ir eksploatuoti reikia laikantis vietos reglamentų ir pripažintų eksploatavimo kriterijų.

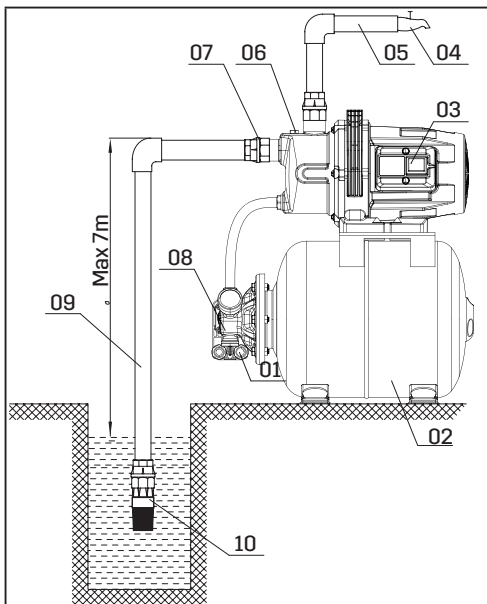
Tinkamai sumontuokite vamzdyną pagal šiose instrukcijose pateiktus reikalavimus ir apsaugokite nuo užšalimo.

1. Montuojant siurbį, įleidimo vamzdis turėtų būti kuo trumpesnis ir turi turėti kuo mažiau linkių. Pakuotę laikyti sausoje ir gerai vėdinamoje vietoje. Jeigu siurblys montuojamas lauke, įsitikinkite, kad siurblys tinkamai apsaugotas nuo oro sąlygų saugančia danga.
2. Įleidimo ir išleidimo vamzdžiuose būtina sumontuoti vožtuvus. Įleidimo vamzdyje montuojamas vožtuvas turi būti atbulinis.

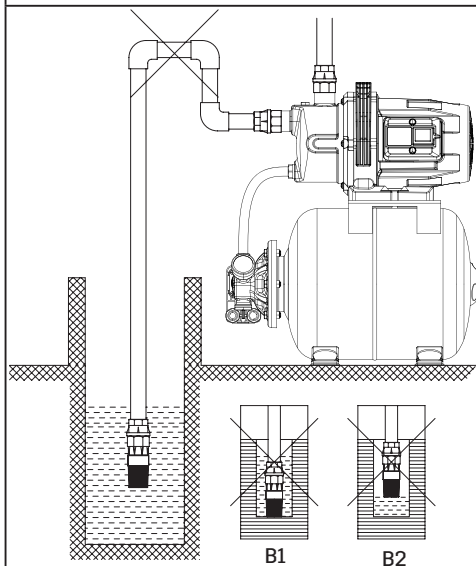


Maks. vandens temperatūra - 35 °C

Minim. vandens temperatūra - 4 °C



Tinkamas montavimas. A diagrama



Netinkamas įrengimas. B diagrama

A

- |                        |                          |
|------------------------|--------------------------|
| 1. Drenavimo kaištis   | 6. Pildymo angos kaištis |
| 2. Talpykla            | 7. Sujunginys            |
| 3. Elektrinis siurblys | 8. Slėginis jungiklis    |
| 4. Vandens čiaupas     | 9. Įleidimo vamzdis      |
| 5. Išleidimo vamzdis   | 10. Įvadinis             |
| vožtuvas               |                          |

B

Pastabos dėl įleidimo vamzdžio montavimo

- 1) Naudodami siurblių įleidimo vamzdžiui nenaudokite minkšto guminio vamzdžio.
- 2) Įvadinis vožtuvas turi būti vertikaliai sumontuotas 30 cm atstumu nuo vandens terpės dugno, kad būtų išvengta nuosėdų įsiurbimo (A2).
- 3) Visos jungtys įleidimo vamzdyje turi būti užsandarintos. Kad būtų užtikrintas vandens siurbimas, būtina sumažinti vamzdžio linkių skaičių.
- 4) Kad būtų išvengta didelių hidraulinį nuostolių ir mažo vandens srauto, įleidimo vamzdžio skersmuo turi būti ne mažesnis negu siurblio įvado skersmuo.
- 5) Naudodami siurblių atkreipkite dėmesį į vandens lygį. Įvadinis vožtuvas negali būti virš vandens paviršiaus (A1).
- 6) Jeigu įleidimo vamzdis yra ilgesnis negu 10 m ir kilimo aukštis didesnis negu 4 m, įleidimo vamzdžio skersmuo turi būti didesnis negu siurblio įvado skersmuo.
- 7) Įsitinkinkite, kad montuojant vamzdinį siurblio neveikia vamzdžio slėgis.
- 8) Rekomenduojama įleidimo vamzdyje sumontuoti filtrą, kad į elektrinį siurblių nepatektų kietos dalelės.
- 9) Prieš paleidžiant pirmą kartą, vamzdynas turi būti visiškai pripildytas vandens ir turi būti įrengtas įvadinis vožtuvas.

Pastabos dėl išleidimo vamzdžio montavimo

Išleidimo vamzdžio skersmuo turi būti ne mažesnis negu siurblio išvado skersmuo, kad sumažėtų slėgio kritimas, didelis srauto greitis ir triukšmas.

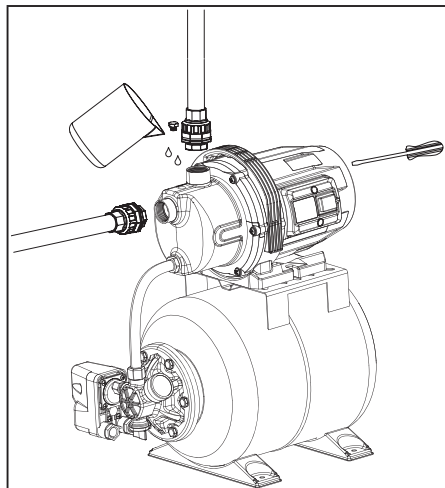
## 6. Paleidimas ir techninė priežiūra



Nepaleiskite siurblio, jeigu jo kamera nėra iki galo pripildyta vandeniu.

Nelieskite elektrinio siurblio bent 5 minutes, kai buvo nutrauktas maitinimas.

Nenuimkite siurblio gaubto, kol iš siurblio kameros buvo visiškai nepašalintas vanduo.



Pasukite ventiliatorių atsuktuvu ir patikrinkite, ar prieš paleidžiamas siurblys laisvai sukasi. Ištraukite pildymo angos kaištį ir pripildykite siurblio kamerą švaraus vandens iki galo, tada prisukite pildymo angos kaištį. Paleidžiant vožtuvus turi būti plačiai atidarytas. Kai siurblys veiks normaliai, sureguliuokite vožtuvą iki reikalingo srauto (darbinis diapazonas nurodytas duomenų lentelėje).

### **Atminkite!**

- 1) Jeigu per 5 minutes po to, kai siurblys buvo pripildytas vandens ir paleistas, nepumpuojamas vanduo, išjunkite siurbį ir iš naujo pripildykite vandeniu arba patikrinkite, ar įleidimo vamzdyne nėra nuotėkio, tada paleiskite siurbį iš naujo.
- 2) Kad apsaugotumėte nuo šalčio ir užšalimo, ištraukite išleidimo kaištį ant oro talpyklos ir iš siurblio kameros išleiskite visą vandenį. Prieš paleidžiant siurbį iš naujo, būtina ištraukti pildymo angos kaištį, iki galo pripildyti siurbį vandens ir prisukti pildymo angos kaištį.
- 3) Jeigu siurblio neketinate naudoti ilgesnį laiką, išleiskite iš siurblio kameros vandenį ir laikykite siurbį sausoje ir gerai vėdinamoje vietoje.
- 4) Jeigu aplinkos temperatūra aukšta, įsitikinkite, kad siurblys veikia gerai vėdinamoje vietoje, kad būtų išvengta elektros gedimų, sukeltų rasos ant elektrinių dalių.
- 5) Jeigu siurblio variklis perkaitęs arba veikia neįprastai, nedelsdami nutraukite maitinimą ir patikrinkite galimus gedimus pagal toliau pateiktą formą.

## 7. Trikčių šalinimas



Išjungę maitinimą patikrinkite siurbį

Simptomas	Priežastis	Taisymo darbas
Nepavyksta paleisti variklio	Vienfazis maitinimo tiekimas (trifazis elektrinis variklis): a) blogai prijungtas maitinimo jungiklis; b) išmuštas saugiklis; c) atjungtas maitinimo laidas; d) kabelio fazės gedimas.	a) sutaisykite jungiklio kontaktą arba pakeiskite jungiklį; b) pakeiskite saugiklį; c) patikrinkite ir pritvirtinkite maitinimo jungtį; d) pataisykite arba pakeiskite kabelius.
	Perdegę kondensatoriai	Pakeiskite kitu to paties tipo kondensatoriumi (atsiųskite į techninės priežiūros punktą pataisyti).
	Užsikimšęs sukamasis velenas ir guolis.	Pakeiskite guolį (atsiųskite į techninės priežiūros punktą pataisyti).
	Užstrigęs sraigtas.	Pasukite ventiliatoriaus ašmenų terminalo sukamąjį veleną atsuktuvu, kad jis suktysi laisvai, arba išmontuokite siurbį, kad pašalintumėte smulkias sankaupas.
	Pažeista statoriaus apvija.	Pakeiskite statoriaus apvijų ritę (atsiųskite į techninės priežiūros punktą pataisyti).

Variklis veikia, bet neišleidžiama vandens	Ne ta siurblio sukimosi kryptis.	Sukeiskite variklio dvifazius laidus (trifazis variklis).
	Siurblys ne iki galo pripildytas vandens.	Pripildykite siurbį vandeniu iš naujo.
	Sugedęs sraigtas.	Pakeiskite sraigta (atsiųskite į techninės priežiūros punktą pataisyti).
	Nuotėkis siurbimo vamzdyje.	Patikrinkite įleidimo vamzdžio skirtingų jungčių sandariklius.
	Per žemas vandens lygis.	Sureguliuokite siurblio montavimo aukštį.
	Užšalimas dėl susikaupusio vandens vamzdyne arba kameroje.	Paleiskite variklį, kai ledas ištirps.
	Per karštas vanduo gali sukelti plastikinių dalių gedimą.	Pakeiskite sugedusias dalis (atsiųskite į techninės priežiūros punktą pataisyti).
Nepakankamas slėgis	Netinkamas siurblio tipas.	Pasirinkite tinkamą modelį.
	Per ilgas arba turi per daug linkių įleidimo vamzdis ir (arba) ne pagal reikalavimus pasirinktas vamzdžio skersmuo.	Naudokite nurodyto skersmens vamzdį ir patrumpinkite įleidimo vamzdį.
	Pašalinėmis medžiagomis užblokuotas įleidimo vamzdis, filtras arba siurblio kamera.	Išvalykite vamzdį, įvadinį vožtuvą arba siurblio kamerą, kad neliktų pašalinių medžiagų.
Variklis veikia su pertrūkiiais arba perdegusi statoriaus apvija	Užstrigęs arba ilgą laiką perkrovos sąlygomis veikia sraigtas.	Išvalykite pašalines medžiagas iš siurblio kameros, siurbį naudokite pagal vardinį srautą.
	Netinkamai įžeminta, nutrūkęs kabelis arba elektriniam siurbliui pakenkė žaibas.	Tinkamai įžeminkite, pakeiskite sugedusį kabelį ir apvijų ritę.



Perbrauktos šiukšliadėžės su ratukais reikšmė: elektriniai prietaisai negali būti utilizuojami kaip nerūšiuotos komunalinės atliekos. Juos reikia nugabenti į atskirą surinkimo punktą. Kreipkitės į vietos valdžios institucijas, kad gautumėte informacijos apie galimus atliekų surinkimo punktus. Jei elektros prietaisai yra išmetami į sąvartynus ar šiukšlynus, pavojingos medžiagos gali patekti į požeminį vandenį ir pakliūti į maisto grandinę, taip pakenkdamos jūsų sveikatai ir gerovei. Keičiant senus prietaisus naujais, mažmenininkas yra teisiškai įgaliojtas bent jau nemokamai priimti jūsų seną prietaisą utilizavimui.

## **GARANTIJA**

Ypač kruopščiai renkamės aukštos kokybės medžiagas ir naudojame gamybos būdus, kurie suteikia mums galimybę kurti gaminius, pasižyminčius dizainu ir ilgaamžiškumu. Šiam gaminiui (DFM882) gamintojas suteikia 2 metų garantiją nuo įsigijimo (jei pirktas parduotuvėje) arba pristatymo (jei pirktas internetu) dienos be jokių papildomų išlaidų. Norėdami pareikšti pretenziją pagal šią garantiją, turite pateikti įsigijimo įrodymą (pvz., pirkimo kvitą, pirkimo sąskaitą faktūrą arba kitą pagal galiojančius įstatymus priimtina įrodymą). Kad ši garantija būtų taikoma, įsigytas gaminytis turi būti naujas, ji netaikoma naudotiems ar gaminiams, kurie buvo eksponuojami. Jei galiojančiuose teisės aktuose nenumatyta kitaip, bet kokiam pagal šią garantiją išduotam pakaitiniam gaminiui garantija suteikiama tik iki pirminės garantijos laikotarpio pabaigos. Ši garantija apima gaminio gedimus ir sutrikimus, jei gaminytis buvo naudojamas pagal paskirtį ir buvo montuojamas, valomas, prižiūrimas ir remontuojamas laikantis šiose sąlygose, naudotojo vadove pateiktos informacijos bei taikant standartinę naudojimo praktiką, jei standartinė praktika neprieštarauja naudotojo vadovui.

Ši garantija neapima defektų ir pažeidimų, atsiradusių dėl įprasto nusidėvėjimo ar pažeidimų, kurie gali atsirasti dėl netinkamo naudojimo, netinkamo montavimo ar surinkimo, aplaidumo, nelaimingo atsitikimo, neteisingo naudojimo ar gaminio modifikavimo. Jei galiojančiuose teisės aktuose nenumatyta kitaip, ši garantija jokia būdu neapima papildomų išlaidų (siuntimo, pervežimo, išmontavimo ir pakartotinio sumontavimo, darbo ir kt.), taip pat tiesioginės ir netiesioginės žalos.

Ši garantija netaikoma defektams ir žalai, atsiradusiems dėl:

- Įprasto nusidėvėjimo;

- Perkrovos, netinkamo naudojimo arba aplaidumo;
- Remonto, kurį atliko ne įgaliotasis atstovas;
- Kosmetinė žalos;
- Žalos sukeltos pašalinių objektų, medžiagų arba nelaimingų atsitikimų;
- Atsitiktinio sugadinimo arba modifikavimo;
- Gamintojo nurodymų nesilaikymo;
- Nebegalėjimo naudotis prekėmis.

Jei gaminys yra sugedęs, per pagrįstą laiką jį pataisysime arba pakeisime.

Teisės pagal šią garantiją įgyvendinamos toje šalyje, kurioje įsigijote šį gaminį. Su garantija susijusias užklaugas reikėtų adresuoti parduotuvei, kurioje įsigijote šį gaminį.

Garantija papildo jūsų įstatymuose numatytas teises ir jų nepažeidžia.

LT

# ES atitikties deklaracija

Mes,

**Onninen Oy**

**Adresas:** Satamakatu 3, FI-00160, Helsinki, Finland

**Telefonas:** +358-10 53032

**Faksas:** +358-9 857 4783

**atsakingai pareiškiame, kad toliau nurodytas gaminys**

Jranga: VANDENS TIEKIMAS AUTOMATINĖ

Markės pavadinimas OPAL

Modelis / tipas: DFM882/EKJ-803SSA

**Atitinka**

Mašinų direktyva (MD) 2006/42/EB,

Elektromagnetinio suderinamumo direktyvą (EMC) 2014/30/EB

RoHS 2011/65/EU Annex II & (EU) 2015/863

**bei toliau nurodytus darniuosius standartus ir technines specifikacijas:**

MD:

EN 60335-1:2012+A11+A13+A1+A14+A2+A15

EN IEC 60335-2-41:2021+A11

EN 62233:2008

EMC:

EN IEC 55014-1:2021

EN IEC 55014-2:2021

EN IEC 61000-3-2:2019+A1

EN 61000-3-3:2013+A1+A2

Helsinki, Finland, October 30<sup>th</sup>, 2024

Kesko Corporation Group Companies



Ville Särkilahti - General Manager

Manual instructions material /  
Ohjekirjan materiaali /  
Instruktionsmaterial /  
Håndbok instruksjonsmateriale /  
Juhendmaterjal /  
Lietošanas norādījumi /  
Naudojimo vadovo medžiaga



Manufactured for • Valmistuttaja • Tillverkad för • Produsert for • Toodetud  
• Ražošanas pasūtītājs • Kieno užsakymu pagaminta • Wyprodukowano dla  
• Onninen Oy, Työpajankatu 12, FI- 00580 Helsinki. Made in China.