

# OPAL

## User Manual

### Submersible Pump DFM877 DFM878



English	2 - 14
Finnish	15 - 28
Swedish	29 - 42
Norwegian	43 - 56
Estonian	57 - 69
Latvian	70 - 83
Lithuanian	84 - 97

# Submersible Pump (GB)

Instruction Manual

Dear customer,

Thank you for placing your trust in our product!

Before using the product for the first time, please make sure you read these operating instructions! Here you will find information about how to use the product safely and ensure its long service life. You should pay attention to all of the safety instructions in this document!

## General safety warnings

- This appliance shall not be used by children. Cleaning and user maintenance shall not be carried out by children.
- Always disconnect the appliance from the supply before assembling, disassembling or cleaning.
- Appliances can be used by persons with reduced physical, sensory or mental capabilities or lack of experience and knowledge if they have been given supervision or instruction concerning use of the appliance in a safe way and if they understand the hazards involved.
- Children shall not play with the appliance.
- Pumps without indication that they are protected against the effect of freezing shall not be left outside during freezing weather conditions.
- Attention! If the power cord is damaged, it must be replaced by the manufacturer, its service agent or similarly qualified persons in order to avoid a safety hazard.
- Familiarise yourself with the operation, adjustments and functions. Follow the safety and

operation instructions in order to avoid possible risks and hazards.

- Contact a qualified person or your dealer if you have questions after reading the instruction manual.
- Store the instruction manual so that it is accessible for all users. Also relay it when giving the product to others.
- Do not attempt to modify the product in any way. Only use attachments and accessories recommended by the manufacturer.
- Use the product only in accordance with this instruction manual. Misuse and incorrect handling will lead to hazards for people and property.
- Do not use the product if damage is visible. Check the power cord, plug, attached hoses and casing before each use. Faulty products must be repaired or properly disposed of.
- Disconnect the product from the power supply immediately if the cord or the product is damaged or if a breakdown occurs.
- Have the product repaired only by a qualified specialist. Improper repairs can lead to electric shocks or other accidents.
- Pull the plug rather than the power cord to disconnect the product from the power supply.
- Do not let the power cord hang over edges, do

not squeeze or bend it.

- Use extensions cords that correspond with the technical requirements of this product if using an extension cord is unavoidable. When operating products outdoors, use an extension cord suitable for outdoor use.

## **Pump safety warnings**

- The appliance shall be installed in accordance with national wiring regulations.
- The pump is to be supplied through a residual current device (RCD) having a rated residual operating current not exceeding 30 mA.
- Prevent access of children with appropriate measures.
- Do not use the pump when people are in the water.
- Do not operate the pump without water.
- Make sure that no marine animals (e.g. fish) are extracted by the pump.
- Have in mind that pollution of the liquid could occur due to leakage of lubricants.
- Protect the electrical connections and cords from heat, oil, sharp edges and moisture.
- Protect the pump from frost and running dry.
- Avoid circulation of aggressive fluids of abrasive materials.
- Do not use the power cord or the float switch

cable to transport or secure the produce. Fix a rope to the handle for submerging, lifting or securing.

- Check and clean the outlet and the inlet of the pump when needed.
- Do not pump liquids with sand or other abrasive substances. It causes increased wear and reduces the pumps output.
- The pump is designed for dirty water with a diameter of suspended impurities not exceeding 25 mm (DFM877), 35 mm (DFM878).
- The pump should be used for pumping water temperature below 35°C, do not use the product for other liquids (hydrocarbons, oils, corrosive liquids, flammable liquids...).
- Never use the pump when there is the danger of frost occurring.
- The product is not designed for continuous use. Please rest it for 10 minutes after each 1 hour of running.

### **Emergency**

Familiarise yourself with the use of this product by means of this instruction manual. Memorise the safety directions and follow them to the letter. This will help to prevent risks and hazards.

1. Always be alert when using this product, so that you can recognise and handle risks early. Fast intervention can prevent serious injury and damage to property.
2. Disconnect from the power supply if there are malfunctions. Have the product checked by a qualified professional and repaired, if necessary, before you operate it again.

## Residual risks

Even if you are operating this product in accordance with all the safety requirements, potential risks of injury and damage remain. The following dangers can arise in connection with the structure and design of this product:

1. Health defects resulting from vibration emission if the product is being used over long periods of time or not adequately managed and properly maintained.
2. Injuries and damage to property due to broken attachments or the sudden impact of hidden objects during use.
3. Danger of injury and property damage caused by flying objects.
4. Risk of bursting.



**WARNING!** This product produces an electromagnetic field during operation! This field may under some circumstances interfere with active or passive medical implants! To reduce the risk of serious or fatal injury, we recommend persons with medical implants to consult their doctor and the medical implant manufacturer before operating this product!

## Prior to Operation

### Installation

- Required space is approx. 50cm x 50cm (for the float switch to operate properly it must be able to move freely).
- During operation, the pump must always be submersed in the water up to the minimum submersion depth of 70mm.
- Place pump so that the suction inlet can not be blocked by foreign objects (stand on a base, if necessary).
- Ensure sufficient upright stability.



**Caution!**

Do not lift the pump at the cable or discharge hose; both are not designed for the tensile load by the weight of the pump.

1. Submerge pump at an angle to avoid an air cushion at the underside, which would prevent priming.

Once the pump is submerged, it can be set into an upright position.

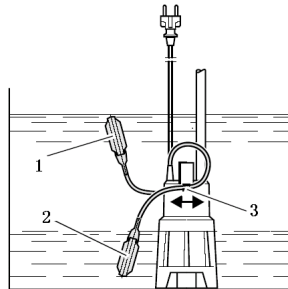
2. Lower pump to the bottom of the fluid container. Use a strong rope, fastened to the cable eye, to lower the pump.

3. The pump can also be operated when suspended by a rope.

### Operation

Switching ON and OFF After connection to the mains, the submersible pump is automatically switched ON and OFF by the float switch:

- It starts pumping when the fluid has lifted the float switch fully (1).
- The pump switches OFF when the float switch has fallen down (2).



The cable for the float switch can be moved in the cable holder (3) to adjust the distance between the switching ON and OFF positions:

- Float switch on a short cable: the On and OFF positions are close together.
- Float switch on a long cable: the On and OFF positions are wide apart.

Do not allow the pump to run for more than 10 minutes against the closed pressure side (e.g. closed valve, closed dispenser etc.).



**Caution!**

The float switch must be able to move in such way

that the pump can not run dry.

## Care and Maintenance



**Danger!**

### Prior to all servicing:

- Switch Off.
- Unplug mains cable.
- Ensure that the device and connected accessories are depressurized.
- Repair and maintenance work other than described here should only be carried out by qualified specialists.

### Periodic maintenance

For the pump to function perfectly at any time periodic maintenance is required.

This also applies if the pump is used under heavy conditions, but does not run for extended periods of time (e.g. when used in well drains)

### Yearly service

- Check the pump casing and cables for damage.
- Rinse the pump with clear water. Remove persistence soiling, e.g. algae deposits, with brush and dishwashing liquid.
- To flush the Inside of the pump, place it in to a container filled with clear water and switch ON briefly.

### Pump storage



**Caution!**



Frost damages the pump and accessories, as both always contain water!

- When there is danger of freezing remove pump and accessories and store at a frost-proof location.

### Technical Specifications

Model	DFM877	DFM878
Voltage / Frequency	AC220-240V, 50Hz	AC220-240V, 50Hz
Rated power input	400W	750W
Max.head	7m	9m

Max. flow	14m <sup>3</sup> /h	18m <sup>3</sup> /h
Max. immersion (m)	7m	7m
Max dia. of particle (mm)	25mm	35mm
Max. media temperature	35 °C	35 °C

### Function cover for dirty/clear water

Turn the function cover (b) to a desired setting as your intended use:

#### For clear water use:

1. Lift the function cover (b) to make it disengaged, then turn it to make the clear water inlet (c) stay in the center of bottom plate (a) (Fig.1).
2. Release the function cover (b) to engage it when aligning the corresponding markings. Ensure that the function cover (b) is flush with the bottom plate (a).

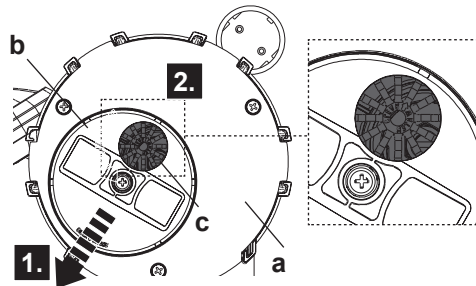


Fig.1

#### For dirty water use:

1. Lift the function cover (b) to make it disengaged, then turn it 180° (Fig.2) to make the clear water inlet (c) stay in the opposite position of the center (Fig.2).
2. Release the function cover (b) to engage it when aligning the corresponding markings. Ensure that the function cover (b) is flush with the bottom plate (a).

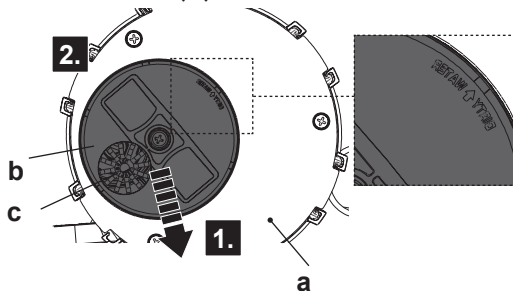


Fig.2

## Trouble Shooting



**Danger!**

### Prior to all servicing:

- Switch Off.
- Unplug mains cable.

Fault finding	Possible cause	Remedy
Pump does not run	No mains voltage	Check ON/OFF switch, cables, plug, socket and mains fuse
	Mains voltage too low	Use only extension cables with sufficient lead cross section
	Motor overheated, motor protection relay tripped	<ul style="list-style-type: none"> <li>- Observe maximum supply temperature</li> <li>- Guarantee sufficient ventilation, keep air slots free</li> <li>- After cooling the pump will switch on again</li> </ul>
	Pump blocked by foreign objects	Clean the pump
	Float switch does not switch the pump ON	<ul style="list-style-type: none"> <li>- Ensure there is a sufficient water supply</li> <li>- Make sure the float switch can move unrestricted</li> </ul>
Motor hums but does not start	Pump blocked by foreign object	Clean pump
Pump does not pump properly	Delivery head too high	Observe max. delivery head
	Discharge hose kinked	Straighten discharge hose
	Discharge hose leaky	Seal discharge hose and tighten screw fittings
Pump runs very noisily	Pump primes air	<ul style="list-style-type: none"> <li>- Ensure there is a sufficient water supply</li> <li>- Adjust float switch correctly.</li> <li>- Hold pump at an angle when submerging</li> </ul>
Pump runs continuously	Float switch does not reach lower position	Make sure the float switch can move unrestricted

## Repairs



### **Danger!**

Repairs to electric tools must only be carried out by a qualified electrician! Electric tools in need of repair can be sent to an authorized service center in your country. Please attach a description of the fault to the electric tool.

### **Environmental Protection**

The packaging of the pump can be 100% recycled.

Worn out power tools and accessories contain considerable amounts of valuable raw and plastic materials, which can be recycled.

These instructions are printed on chlorine-free bleached paper.



Meaning of crossed –out wheeled dustbin:

Do not dispose of electrical appliances as unsorted municipal waste, use separate collection facilities.

Contact you local government for information regarding the collection systems available.

If electrical appliances are disposed of in landfills or dumps, hazardous substances can leak into the groundwater and get into the food chain, damaging your health and well-being.

When replacing old appliances with new ones, the retailer is legally obligated to take back your old appliance for disposals at least free of charge.

### **Guarantee**

We take special care to select high quality materials and use manufacturing

techniques that allow us to create products incorporating design and durability. This product (DFM877 DFM878) has a manufacturer's guarantee of 2 years against manufacturing defects, from the date of purchase (if bought in store) or date of delivery (if bought online), at no additional cost.

To make a claim under this guarantee, you must present your proof of purchase (such as a sales receipt, purchase invoice or other evidence admissible under applicable law), please keep your proof of purchase in a safe place. For this guarantee to apply, the product you purchased must be new, it will not apply to second hand or display products. Unless stated otherwise by applicable law, any replacement product issued under this

guarantee will only be guaranteed until expiry of the original guarantee period.

This guarantee covers product failures and malfunctions provided the product was used for the purpose for which it is intended and subject to installation, cleaning, care and maintenance in accordance with the information contained in these terms and conditions, in the user manual and standard practice, provided that standard practice does not conflict with the user manual.

This guarantee does not cover defects and damage caused by normal wear and tear or damage that could be the result of improper use, faulty installation or assembly, neglect, accident, misuse, or modification of the product. Unless stated otherwise by applicable law, this guarantee will not cover, in any case, ancillary costs (shipping, movement, costs of uninstalling and reinstalling, labour etc), or direct and indirect damage. This guarantee does not cover defects and damage caused by or resulting from:

- Normal wear and tear
- Overload, misuse or neglect
- Repairs attempted by anyone other than an authorised agent
- Cosmetic damage
- Damage caused by foreign objects, substances or accidents
- Accidental damage or modification
- Failure to follow manufacturer's guidelines
- Loss of use of the goods

If the product is defective, we will, within a reasonable time, repair or replace it. Rights under this guarantee are enforceable in the country in which you purchased this product. Guarantee related queries should be addressed to the store you purchased this product from.

The guarantee is in addition to and does not affect your statutory rights.

GB

# EU Declaration of Conformity

We,

**Onninen Oy**

**Address:** Satamakatu 3, FI-00160, Helsinki, Finland

**Telephone:** +358-10 53032      **Fax:** +358-9 857 4783

**declare under our sole responsibility that the following product**

Equipment: Submersible Pump  
Brand name: OPAL  
Model/type: DFM877/EKS-400PD

**is in conformity with the**

Machinery Directive (MD) 2006/42/EC  
Electromagnetic Compatibility Directive (EMC) 2014/30/EU  
RoHS 2011/65/EU Annex II & (EU) 2015/863

**and the following harmonized standards and technical specifications have been applied:**

MD: EN 60335-1:2012+A11+A13+A1+A14+A2+A15  
EN IEC 60335-2-41:2021+A11  
EN 62233:2008  
EN ISO 12100:2010

EMC:  
EN IEC 55014-1:2021  
EN IEC 55014-2:2021  
EN IEC 61000-3-2:2019+A1  
EN 61000-3-3:2013+A1+A2

Helsinki, Finland, October 30<sup>th</sup>, 2024  
Kesko Corporation Group Companies



Ville Särkilähti - General Manager

GB

# EU Declaration of Conformity

We,

**Onninen Oy**

**Address:** Satamakatu 3, FI-00160, Helsinki, Finland

**Telephone:** +358-10 53032      **Fax:** +358-9 857 4783

**declare under our sole responsibility that the following product**

Equipment: Submersible Pump  
Brand name: OPAL  
Model/type: DFM878/EKS-750PD

**is in conformity with the**

Machinery Directive (MD) 2006/42/EC  
Electromagnetic Compatibility Directive (EMC) 2014/30/EU  
RoHS 2011/65/EU Annex II & (EU)2015/863

**and the following harmonized standards and technical specifications have been applied:**

MD: EN 60335-1:2012+A11+A13+A1+A14+A2+A15  
EN IEC 60335-2-41:2021+A11  
EN 62233:2008  
EN ISO 12100:2010

EMC: EN IEC 55014-1:2021  
EN IEC 55014-2:2021  
EN IEC 61000-3-2:2019+A1  
EN 61000-3-3:2013+A1+A2

Helsinki, Finland, October 30<sup>th</sup>, 2024  
Kesko Corporation Group Companies



---

Ville Särkilähti - General Manager

## **Uppopumppu (FI)**

Käyttöohje

Hyvä asiakas

Kiitos, että valitsit tuotteemme!

Varmista, että olet lukenut nämä käyttöohjeet ennen laitteen käyttöönottoa.

Ohjeista löytyy tietoa laitteen turvallisesta käytöstä sekä siitä, kuinka laitteen pitkä käyttöikä voidaan varmistaa. Erityistä huomiota on kiinnitettävä annettuihin turvallisuusohjeisiin.

## **Turvallisuustietoja**

### **Yleiset turvavaroitukset**

- Lapset eivät saa käyttää tätä laitetta. Lapset eivät saa tehdä puhdistusta ja käyttäjähuoltoa.
- Irrota laite aina sähköverkosta ennen laitteen kokoamista, purkamista tai puhdistamista.
- Laitteita voivat käyttää henkilöt, joiden fyysiset, sensoriset tai henkiset kyvyt ovat heikentyneet tai joilla ei ole riittävästi kokemusta tai tietoa, jos heitä valvotaan tai heitä on opastettu laitteen turvallisessa käytössä, ja jos he ymmärtävät siihen liittyvät vaarat.
- Älä anna lasten leikkiä laitteella.
- Pumppuja, joissa ei ole merkintää suojauksesta jäätymisen vaikutuksilta, ei saa jättää ulos pakkasella.
- Huomio! Valmistajan, valtuutetun huoltoedustajan tai muun pätevän henkilön on vaihdettava vaurioitunut virtajohto, jotta turvallisuusriski voidaan välttää.
- Tutustu laitteen toimintaan, säätöihin ja

toimintoihin. Noudata turvallisuus- ja käyttöohjeita mahdollisten riskien ja vaarojen välttämiseksi.

- Ota yhteyttä pätevään henkilöön tai jälleenmyyjään, jos sinulla on kysyttävää vielä käyttöohjeen lukemisen jälkeen.
- Säilytä käyttöopasta kaikkien käyttäjien saatavilla. Anna se mukaan myös silloin, kun annat tuotteen muiden käyttöön.
- Älä yritä muuttaa tuotetta millään tavalla. Käytä vain valmistajan suosittelemia lisälaitteita ja lisävarusteita.
- Käytä tuotetta vain tämän käyttöohjeen mukaisesti. Väärinkäyttö ja virheellinen käsittely aiheuttavat vaaraa ihmisille ja omaisuudelle.
- Älä käytä tuotetta, jos siinä on näkyviä vaurioita. Tarkista virtajohto, pistoke, kiinnitetyt letkut ja kotelo ennen jokaista käyttökertaa. Violliset tuotteet on korjattava tai hävitettävä asianmukaisesti.
- Irrota tuote virtalähteestä välittömästi, jos johto tai tuote on vaurioitunut tai jos se vikaantuu.
- Jätä tuotteen korjaus vain pätevän asiantuntijan tehtäväksi. Virheelliset korjaukset voivat aiheuttaa sähköiskuja tai muita onnettomuuksia.
- Irrota tuote virtalähteestä vetämällä pistokkeesta, ei virtajohdosta.
- Älä anna virtajohdon roikkua reunojen yli, äläkä

purista tai taivuta sitä.

- Käytä jatkojohtoja, jotka vastaavat tämän tuotteen teknisiä vaatimuksia, jos jatkojohdon käyttö on välttämätöntä. Kun käytät tuotteita ulkona, käytä ulkokäyttöön soveltuvaa jatkojohtoa.

## **Pumpun turvallisuusvaroitukset**

- Laite on asennettava kansallisten johdotusmääräysten mukaisesti.
- Virta pumppuun on syötettävä vikavirtasuojakytkimen kautta, jonka nimellinen laukaisuvirta on enintään 30 mA.
- Estä käyttö lapsilta asianmukaisin toimenpitein.
- Älä käytä pumppua, kun vedessä on ihmisiä.
- Älä käytä pumppua ilman vettä.
- Varmista, että pumppu ei ime merieläimiä (esim. kaloja).
- Muista, että nesteen pilaantuminen voi johtua voiteluaineiden vuotamisesta.
- Suojaa sähköliitännöitä ja johtoja kuumuudelta, öljyltä, teräviltä reunoilta ja kosteudelta.
- Suojaa pumppua pakkaselta ja kuivumiselta.
- Vältä aggressiivisten nesteiden tai hankaavien materiaalien pumppaamista.
- Älä käytä virtajohtoa tai uimurikytkimen kaapelia tuotteiden kuljettamiseen tai kiinnittämiseen. Kiinnitä köysi kahvaan upottamista, nostamista

tai kiinnittämistä varten.

- Tarkista ja puhdista pumpun ulostulo- ja sisääntuloaukko tarvittaessa.
- Älä pumpppaa nesteitä, joissa on hiekkaa tai muita hankaavia aineita. Se lisää kulumista ja vähentää pumpun tehoa.
- Pumppu on tarkoitettu likaiselle vedelle johon sitoutuneiden epäpuhtauksien läpimitta on enintään 25 mm (DFM877), 35 mm (DFM878).
- Pumppua käytetään veden pumppaamiseen alle 35 °C:n lämpötilassa. Älä käytä tuotetta muiden nesteiden pumppaamiseen (hiilivedyt, öljyt, syövyttävät nesteet, palavat nesteet...).
- Älä koskaan käytä pumppua, kun on olemassa pakkasvaara.
- Tuotetta ei ole suunniteltu jatkuvaan käyttöön. Lepää sitä 10 minuuttia jokaisen 1 tunnin juoksun jälkeen.

### **Hätäpalvelu**

Tutustu tuotteen käyttöön tämän käyttöohjeen avulla. Opettele turvallisuusohjeet ulkoa ja noudata niitä kirjaimellisesti. Tämä auttaa ehkäisemään riskejä ja vaaroja.

1. Ole aina valppaana, kun käytät tätä tuotetta, jotta voit tunnistaa riskit ja käsitellä niitä ajoissa. Nopea toiminta voi estää vakavia loukkaantumisia ja omaisuusvahinkoja.

2. Irrota laite virtalähteestä, jos laitteessa ilmenee toimintahäiriöitä.

Tarkastuta tuote pätevällä ammattilaisella ja korjaa tarvittaessa, ennen kuin käytät laitetta uudelleen.

### **Jäännösriskit**

Vaikka käyttäisit tätä tuotetta kaikkien turvallisuusvaatimusten mukaisesti, loukkaantumis- ja vahingoittumisvaara on edelleen olemassa. Seuraavat

vaarat voivat liittyä tämän tuotteen rakenteeseen ja malliin:

1. Tärinäpäästöistä johtuvat terveyshaitat, jos tuotetta käytetään pitkään tai jos sitä ei hoideta ja huolleta asianmukaisesti.
2. Loukkaantumiset ja omaisuusvahingot, jotka johtuvat kiinnikkeiden rikkoutumisesta tai piilossa olevien esineiden äkillisestä osumasta käytön aikana.
3. Lentävien esineiden aiheuttama loukkaantumis- ja omaisuusvahinkovaara.
4. Murtumisvaara.



**VAROITUS!** Tämä tuote tuottaa käytön aikana sähkömagneettisen kentän! Tämä kenttä voi joissakin olosuhteissa häiritä aktiivisia tai passiivisia lääketieteellisiä implantteja! Vähentääksesi vakavan tai kuolemaan johtavan loukkaantumisen riskiä, suosittelemme, että henkilöt, joilla on lääketieteellisiä implantteja, keskustelevat lääkärinsä ja implanttivalmistajan kanssa ennen tämän tuotteen käyttöä.

## **Ennen käyttöä**

### **ASENNUS**

- Pumppu tarvitsee noin 50 x 50 cm tilaa (uimurikytkimen on päästävä liikkumaan esteettä, jotta se toimisi asianmukaisesti).
- Käytön aikana pumpun on aina oltava upotettu veteen vähintään 70 mm verran.
- Aseta pumppu siten, että vieraat esineet eivät pääse tukkimaan imua (aseta pumppu tarvittaessa alustan päälle).
- Varmista, että pumppu on pystysuorassa.



**Varoitus!**

Älä nosta pumppua virtajohdosta tai paineletkusta, kumpaakaan näistä ei ole suunniteltu kestämään pumpun painoa.

1. Upota pumppu sellaisessa kulmassa, että sen alapuolelle ei pääse muodostumaan ilmatyynyä,

mikä voi estää veden pääsyn pumppuun. Pumppu voidaan suoristaa pystyasentoon veteen upottamisen jälkeen.

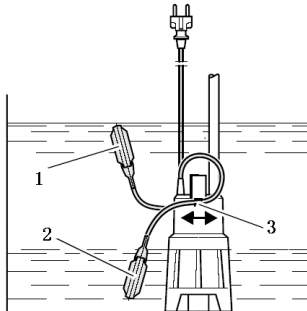
2. Laske pumppu nestesäiliön pohjalle. Käytä kestävää, nostosilmukkaan kiinnitettyä vaijeria pumpun laskemiseen.

3. Pumppua voidaan käyttää myös silloin, kun se roikkuu vaijerin varassa.

### Käyttö

Päälle ja pois päältä kytkeminen. Verkkovirtaan kytkemisen jälkeen uppopumppu kytkeytyy automaattisesti päälle ja pois päältä uimurikytkimestä.

- Pumppu alkaa pumpata nesteen nostettua uimurikytkimen kokonaan ylös (1).
- Pumppu kytkeytyy pois päältä uimurikytkimen laskeuduttua alas (2).



Uimurikytkimen kaapelin pituutta voidaan säätää kaapelipidikkeestä (3) käsin pumpun päälle ja pois päältä kytkeytymisen säätämistä varten:

- lyhyeen kaapeliin kiinnitetty uimurikytkin: uppopumpun päälle ja pois päältä kytkeytymisen välinen etäisyys on lyhyt
- pitkään kaapeliin kiinnitetty uimurikytkin: uppopumpun päälle ja pois päältä kytkeytymisen välinen etäisyys on pitkä.

Älä anna pumpun käydä yli 10 minuuttia suljetulla painepuolella (esim. suljettu venttiili, suljettu annostelija jne.).



**Varoitus!**

Uimurikytkimen täytyy pystyä liikkumaan siten, että

pumppu ei pääse käymään kuivana.

## Huolto ja kunnossapito



**Vaara!**

### Aina ennen huoltoa:

- Sammutus.
- Irrota verkkovirtakaapeli pistorasiasta.
- Varmista, että paine on poistettu laitteesta ja siihen kytketyistä varusteista.
- Muut kuin tässä mainitut huoltotyöt täytyy antaa valtuutetun huoltohenkilön tehtäväksi.

### Määräaikaishuollot

Pumppua on huolettava säännöllisesti, jotta se toimisi virheettömästi. Tämä koskee myös kovassa käytössä olevia pumppuja, joita ei kuitenkaan käytetä pitkiä aikoja kerrallaan (esim. kaivojen tyhjentämiseen käytettävät pumput).

### Vuosihuolto

- Tarkista pumpun kotelo ja kaapelit vaurioiden varalta.
- Huuhtelee pumppu puhtaalla vedellä. Poista pinttynyt lika, kuten esimerkiksi levä, harjalla ja astianpesuaineella.
- Huuhtelee pumppu sisältä asettamalla se puhtaalla vedellä täytettyyn astiaan ja kytkemällä pumppu vähäksi aikaa päälle.

### Säilytys



**Varoitus!**



Jäätyminen vaurioittaa pumppua ja varusteista, sillä niissä on aina vettä!

- Irrota pumppu ja lisävarusteet ja säilytä ne lämpimässä, mikäli jäätymisvaara on olemassa.

### Tekniset tiedot

Malli	DFM877	DFM878
Jännite/taajuus	AC220-240 V, 50 Hz	AC220-240 V, 50 Hz
Nimellis-tehontarve	400 W	750 W

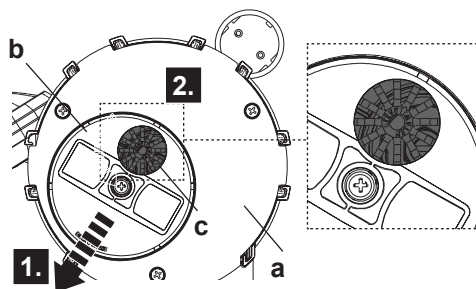
Suurin nostokorkeus	7 m	9 m
Suurin virtaus	14 m <sup>3</sup> /h	18 m <sup>3</sup> /h
Suurin upotussyvyys	7 m	7 m
Raekoko	25 mm	35 mm
Nesteen suurin sallittu lämpötila	35 °C	35 °C

## Toiminto kansi likaiselle/puhtaalle vedelle

Käännä toimintokansi (b) käyttötarkoitusta vastaavaan haluttuun asetukseen:

### Puhdasvesikäyttöön:

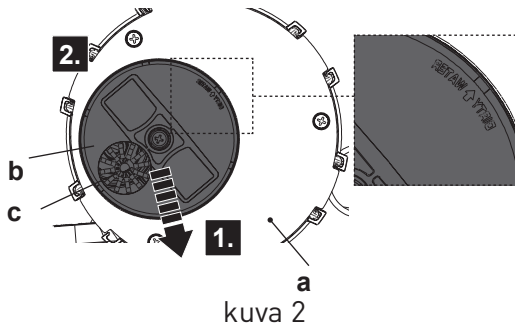
1. Nosta toimintokansi (b), jotta se irtoaa, ja käännä sitä, jotta puhtasveden tuloaukko (c) pysyy pohjalevyn (a) keskellä (kuva 1).
2. Vapauta toimintokansi (b), jotta se kytkeytyy, kun kohdistat vastaavat merkinnät. Varmista, että toimintokansi (b) on samassa tasossa pohjalevyn (a) kanssa.



kuva 1

### Likaisen veden käyttöön:

1. Nosta toimintokansi (b), jotta se irtoaa, ja käännä sitä sitten 180° (kuva 2), jotta kirkkaan veden tuloaukko (c) pysyy keskikohdan vastakkaisessa asennossa (kuva 2).
2. Vapauta toimintokansi (b), jotta se kytkeytyy, kun kohdistat vastaavat merkinnät. Varmista, että toimintokansi (b) on samassa tasossa pohjalevyn (a) kanssa.



## Vianmääritys



**Vaara!**

### Aina ennen huoltoa

- Sammutus.
- Irrota verkkovirtakaapeli pistorasiasta.

Vika	Mahdollinen syy	Korjauskeino
Pumppu ei käynnisty	Ei verkkovirtaa.	Tarkista virtakytkin, johdot, pistotulppa, pistorasia sekä sulakkeet.
	Syöttöjännite on liian matala.	Käytä vain riittävän isolla poikkipinnalla jatkojohtoja.
	Moottori on ylikuumentunut ja ylikuumennussuojaus on kytkettyyn päälle.	- Noudata suurinta sallittua tulolämpötilaa. - Varmista riittävä ilmanvaihto -ilmanvaihtoaukot eivät saa tukkeutua. - Kytke pumppu uudelleen päälle sen jälkeen, kun se on jäähtynyt.
	Vieraat esineet ovat tukkineet pumpun.	Puhdista pumppu.
	Uimurikytkin ei kytke pumppua päälle.	- Varmista, että vettä on riittävästi. - Varmista, että uimurikytkin voi liikkua esteettä.

Moottori hyrisee mutta ei käynnisty.	Vieraat esineet ovat tukkineet pumpun.	Puhdista pumppu.
Pumppu ei toimi oikein.	Liian suuri tarvittava nostokorkeus.	Suurinta sallittua nostokorkeutta on noudatettava.
	Paineletku on mutkalla.	Suorista paineletku.
	Paineletku vuotaa.	Tiivistä paineletku ja kiristä liitokset.
Pumpusta kuuluu melua.	Pumppu imee veden sijasta ilmaa.	- Varmista, että vettä on riittävästi. - Säädä uimurikytkin oikein. - Kallista pumppua upotuksen aikana.
Pumppu käy koko ajan.	Uimurikytkin ei laskeudu alas.	Varmista, että uimurikytkin voi liikkua esteettä.

## Korjaukset



### **Vaara!**

Sähkölaitteiden korjauksia saavat tehdä vain valtuutetut sähköasentajat. Vialliset sähkölaitteet lähetetään korjattavaksi lähimpään valtuutettuun huoltoon.

Sähkölaitteen mukana on lähetettävä myös vian kuvaus.

### **Ympäristönsuojelu**

Pumpun pakkaus on 100 % kierrätettävissä.

Käytöstä poistetut sähkölaitteet ja lisävarusteet sisältävät huomattavia määriä arvokkaita raaka- ja muovimateriaaleja, jotka voidaan kierrättää. Nämä ohjeet on tulostettu valkaisemattomalle paperille.



Yliviivatun roska-astiasymbolin merkitys:

Älä hävitä sähkölaitteita sekajätteenä, vaan käytä erillisiä keräyspisteitä. Ota yhteyttä paikallishallintoon saadaksesi tietoa käytettävissä olevista keräysjärjestelmistä.

Jos sähkölaitteita hävitetään kaatopaikoille, vaarallisia aineita voi vuotaa

pohjaveteen ja joutua sieltä ravintoketjuun vahingoittaen terveyttäsi ja hyvinvointiasi.

Kun vaihdat vanhat laitteet uusiin, jälleenmyyjällä on lakisääteinen velvollisuus ottaa vanha laitteesi takaisin hävitettäväksi maksutta.

## **Takuu**

Pidämme erityistä huolta korkealaatuisten materiaalien valinnasta ja käytämme valmistustekniikoita, joiden avulla voimme luoda tuotteita, joissa yhdistyvät muotoilu ja kestävyys. Tällä tuotteella (DFM877 DFM878) on valmistajan 2 vuoden takuu valmistusvirheitä vastaan ostopäivästä (jos ostettu myymälästä) tai toimituspäivästä (jos ostettu verkosta) ilman lisäkustannuksia.

Tämän takuun mukaisen korvausvaatimuksen esittämiseksi sinun on esitettävä ostotodistus (kuten myyntikuitti, ostolasku tai muu sovellettavan lain mukaan hyväksyttävä todiste), ja sinun on säilytettävä ostotodistusta turvallisessa paikassa. Jotta tämä takuu olisi voimassa, ostamasi tuotteen on oltava uusi. Takuu ei koske käytettyjä tai esittelytuotteita. Ellei sovellettavassa laissa toisin säädetä, tämän takuun nojalla myönnetylle korvaavalle tuotteelle myönnetään takuu vain alkuperäisen takuuajan päättymiseen saakka.

Tämä takuu kattaa tuotteen vikaantumiset ja toimintahäiriöt edellyttäen, että tuotetta on käytetty siihen tarkoitukseen, johon se on tarkoitettu, ja että se on asennettu, puhdistettu, hoidettu ja huollettu näissä ehdoissa, käyttöohjeessa ja vakiokäytännössä ilmoitettujen tietojen mukaisesti edellyttäen, ettei vakiokäytäntö ole ristiriidassa käyttöohjeen kanssa. Tämä takuu ei kata vikoja ja vaurioita, jotka johtuvat normaalista kulumisesta tai vahingoista, jotka voivat olla seurausta vääränlaisesta käytöstä, virheellisestä asennuksesta tai kokoonpanosta, laiminlyönnistä, onnettomuudesta, väärinkäytöstä tai tuotteen muuttamisesta. Ellei sovellettavassa lainsäädännössä toisin säädetä, tämä takuu ei missään tapauksessa kata liitännäiskustannuksia (kuljetus-, siirto-, purku- ja uudelleenasennuskustannuksia, työvoimakustannuksia jne.) eikä suoria tai välillisiä vahinkoja.

Tämä takuu ei kata vikoja ja vahinkoja, jotka ovat aiheutuneet tai johtuvat seuraavista:

- Normaali kuluminen
- Ylikuormitus, väärinkäyttö tai laiminlyönti
- Korjausyritykset, joita tekee muu kuin valtuutettu edustaja
- Kosmeettiset vauriot
- Vieraiden esineiden, aineiden tai vahinkojen aiheuttamat vauriot.
- Tahaton vaurioituminen tai muuttaminen

- Valmistajan ohjeiden noudattamatta jättäminen
- Tavaroiden käytön menetys

Jos tuote on viallinen, korjaamme tai vaihdamme sen kohtuullisen ajan kuluessa. Tämän takuun mukaiset oikeudet ovat täytäntöönpanokelpoisia siinä maassa, josta olet ostanut tämän tuotteen. Takuuseen liittyvät kysymykset on osoitettava myymälälle, josta ostit tämän tuotteen. Takuu täydentää lakisääteisiä oikeuksiasi eikä vaikuta niihin.

FI

# EY-vaatimustenmukaisuusvakuutus

Me,

**Onninen Oy**

**Osoite:** Satamakatu 3, FI-00160, Helsinki, Finland

**Puhelin:** +358-10 53032

**Faksi:** +358-9 857 4783

**takaamme ja vakuutamme, että tämä tuote**

Laitte: Uppopumppu

Tuotenimi: OPAL

Malli/tyyppi: DFM877/EKS-400PD

**on**

Konedirektiivi (MD) 2006/42/EY,  
sähkömagneettisen yhteensopivuuden direktiivin (EMC) 2014/30/EY,  
RoHS 2011/65/EU Annex II & (EU) 2015/863

**säännösten mukainen ja että seuraavia harmonisoituja standardeja ja teknisiä erittelyjä on sovellettu:**

MD: EN 60335-1:2012+A11+A13+A1+A14+A2+A15

EN IEC 60335-2-41:2021+A11

EN 62233:2008

EN ISO 12100:2010

EMC:

EN IEC 55014-1:2021

EN IEC 55014-2:2021

EN IEC 61000-3-2:2019+A1

EN 61000-3-3:2013+A1+A2

Helsinki, Finland, October 30<sup>th</sup>, 2024

Kesko Corporation Group Companies



Ville Särkilähti - General Manager

FI

# EY-vaatimustenmukaisuusvakuutus

Me,

**Onninen Oy**

**Osoite:** Satamakatu 3, FI-00160, Helsinki, Finland

**Puhelin:** +358-10 53032

**Faksi:** +358-9 857 4783

**takaamme ja vakuutamme, että tämä tuote**

Laitte: Uppopumppu

Tuotenimi: OPAL

Malli/tyyppi: DFM878/EKS-750PD

**on**

Konedirektiivi (MD) 2006/42/EY,  
sähkömagneettisen yhteensopivuuden direktiivin (EMC) 2014/30/EY,  
RoHS 2011/65/EU Annex II & (EU) 2015/863

**säännösten mukainen ja että seuraavia harmonisoituja standardeja ja teknisiä erittelyjä on sovellettu:**

MD: EN 60335-1:2012+A11+A13+A1+A14+A2+A15

EN IEC 60335-2-41:2021+A11

EN 62233:2008

EN ISO 12100:2010

EMC:

EN IEC 55014-1:2021

EN IEC 55014-2:2021

EN IEC 61000-3-2:2019+A1

EN 61000-3-3:2013+A1+A2

Helsinki, Finland, October 30<sup>th</sup>, 2024

Kesko Corporation Group Companies



Ville Särkilähti - General Manager

## **Dränkbar pump (SE)**

Bruksanvisning

Bästa kund

Tack för ditt förtroende för vår produkt!

Innan du använder produkten för första gången, var god läs denna bruksanvisning! Här finns information om hur produkten används på ett säkert sätt som säkerställer en lång livslängd för produkten. Du bör ägna uppmärksamhet åt alla säkerhetsanvisningar i detta dokument!

## **Säkerhetsinformation**

### **Allmänna säkerhetsvarningar**

- Denna utrustning får inte användas av barn. Rengöring och användarunderhåll får inte utföras av barn.
- Koppla alltid bort utrustningen från elnätet före montering, demontering eller rengöring.
- Utrustningen får användas av personer med nedsatt fysisk, sensorisk eller mental förmåga eller personer som saknar erfarenhet och kunskap om de övervakas eller har fått instruktioner om hur utrustningen ska användas på ett säkert sätt och de förstår riskerna med användningen.
- Barn får inte leka med utrustningen.
- Pumpar som saknar uppgift om att de är skyddade mot frysning får inte lämnas utomhus när det råder frostväder.
- Observera! Om nätkabeln är skadad måste den bytas ut av tillverkaren, dennes serviceombud eller motsvarande behöriga personer för att undvika säkerhetsrisker.

- Bekanta dig med handhavande, justering och funktioner. Följ säkerhets- och bruksanvisningarna för att undvika möjliga risker och faror.
- Kontakta en behörig person eller din återförsäljare om du har frågor efter att ha läst bruksanvisningen.
- Förvara bruksanvisningen så att den är tillgänglig för alla användare. Lämna också med den om du ger produkten till någon annan.
- Försök inte att modifiera produkten på något sätt. Använd endast de redskap och tillbehör som rekommenderas av tillverkaren.
- Använd produkten enbart i enlighet med denna bruksanvisning. Felaktig användning och hantering kan leda till fara för människor och egendom.
- Använd inte produkten om det finns synliga skador. Kontrollera nätkabel, stickpropp, slangar och hölje före varje användningstillfälle. Skadade produkter måste repareras eller kasseras på rätt sätt.
- Koppla omedelbart bort produkten från strömförsörjningen om sladden eller produkten är skadad eller om ett fel uppstår.
- Låt endast en behörig specialist reparera produkten. Felaktiga reparationer kan leda till elektriska stötar eller andra olyckor.

- Dra i kontakten i stället för i nätkabeln för att koppla bort produkten från strömförsörjningen.
- Kläm eller böj den inte nätkabeln, och låt den inte hänga över kanter.
- Använd förlängningsladdar som uppfyller de tekniska kraven för denna produkt om du måste använda en förlängningsladd. När du använder produkter utomhus ska du använda en förlängningsladd som är lämplig för utomhusbruk.

## **Säkerhetsvarningar för pumpen**

- Utrustningen ska installeras i enlighet med gällande nationella regler för elinstallationer.
- Pumpen ska försörjas med ström via en jordfelsbrytare (RCD) med en brytströmstyrka som inte överstiger 30 mA.
- Förhindra med lämpliga åtgärder att barn får tillgång till utrustningen.
- Använd inte pumpen när människor befinner sig i vattnet.
- Pumpen får inte användas utan vatten.
- Se till att inga vattendjur (t.ex. fiskar) suggs upp av pumpen.
- Tänk på att förorening av vätskan kan uppstå på grund av läckage av smörjmedel.
- Skydda elanslutningar och sladdar mot värme, olja, vassa kanter och fukt.

- Skydda pumpen mot frost och torrkörning.
- Undvik cirkulation av aggressiva vätskor med frätande material.
- Använd inte nätkabeln eller flottörbrytarens kabel för att transportera eller fästa produkten. Fäst ett rep i handtaget för nedsänkning, upplyftning eller fastsättning.
- Kontrollera och rengör pumpens utlopp och inlopp vid behov.
- Pumpa inte vätskor med sand eller andra frätande ämnen. Det orsakar ökat slitage och minskar pumpens effekt.
- Pumpen är konstruerad för smutsigt vatten där suspenderade föroreningars diameter inte överstiger 25 mm (DFM877), 35 mm (DFM878).
- Pumpen ska användas för pumpning av vatten vars temperatur är under 35 °C, använd inte produkten för andra vätskor (kolväten, oljor, frätande vätskor, brandfarliga vätskor ...).
- Använd aldrig pumpen när det finns risk för frost.
- Produkten är inte avsedd för kontinuerlig användning. Låt den vila i 10 minuter varje gång efter 1 timmes drift.

### **Nödfall**

Bekanta dig med användningen av denna produkt med hjälp av denna bruksanvisning. Lär dig säkerhetsanvisningarna utantill och följ dem till punkt och pricka. Detta bidrar till att förebygga risker och faror.

1. Var alltid uppmärksam när du använder denna produkt, så att du tidigt

kan upptäcka och hantera risker. Ett snabbt ingripande kan förhindra allvarliga person- och egendomsskador.

2. Koppla från strömförsörjningen om det uppstår funktionsstörningar. Låt en behörig yrkeskunnig kontrollera produkten och vid behov reparera den innan du använder den igen.

### **Kvarstående risker**

Även om du använder denna produkt i enlighet med alla säkerhetsföreskrifter, finns det fortfarande potentiell risk för person- och egendomsskador. Följande faror kan uppstå i samband med produktens konstruktion och utformning:

1. Hälsorisker till följd av vibrationer om produkten används under långa tidsperioder eller inte hanteras och underhålls på rätt sätt.
2. Person- och egendomsskador på grund av trasiga tillbehör eller plötsliga sammanstötningar med dolda föremål under användning.
3. Risk för person- och egendomsskador orsakade av flygande föremål.
4. Risk att produkten spricker.



**! WARNING!** Denna produkt genererar ett elektromagnetiskt fält under drift! Detta fält kan under vissa omständigheter störa aktiva eller passiva medicinska implantat! För att minska risken för allvarliga eller dödliga skador rekommenderar vi att personer med medicinska implantat rådgör med sin läkare och tillverkaren av det medicinska implantatet innan de använder denna produkt!

### **Före användning**

#### **Installation**

- Nödvändigt utrymme är ungefär 50 cm x 50 cm (för att flottörbrytaren ska fungera korrekt måste den kunna röra sig obehindrat).
- Under driften måste pumpen alltid vara nedsänkt i vattnet upp till ett minimalt nedsänkingsdjup på 70 mm.
- Placera pumpen så att suginloppet inte kan täppas till av främmande föremål (ställ den på ett underlag, om nödvändigt).
- Se till att pumpen står stabilt i upprätt läge.



## Se upp!

Lyft inte pumpen i kabeln eller utlopps-slangen; ingen av dessa är designad för den dragpåkänning som pumpens vikt orsakar.

1. Sänk ned pumpen något vinklad för att undvika att det bildas en luftkudde på undersidan vilken kan förhindra förfyllningen. När pumpen är nedsänkt kan den ställas i en stående position.

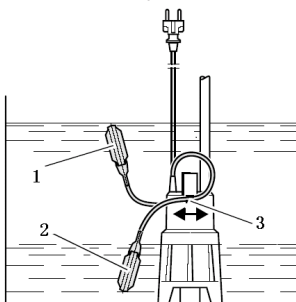
2. Sänk ned pumpen till botten i vätskebehållaren. Använd en kraftig lina, fäst i upphängningsöglet, för att sänka ned pumpen.

3. Pumpen kan även användas när den hänger i en lina.

### Användning

Sätta PÅ och stänga AV. Efter anslutning till elnätet kopplas den dränkbara pumpen automatiskt PÅ och AV genom flottörbrytaren.

- Den börjar pumpa när vätskan har lyft flottörbrytaren helt (1).
- Pumpen stänger AV när flottörbrytaren har fallit ned (2).



Kabeln till flottörbrytaren kan förflyttas i kabelhållaren (3) för att justera avståndet mellan lägena PÅ och AV.

- Flottörbrytare med en kort kabel: lägena PÅ och AV är nära varandra.
- Flottörbrytare med en lång kabel: lägena PÅ och AV är långt från varandra.

Låt inte pumpen gå längre än 10 minuter mot en stängd trycksida (t.ex.

stängd ventil, stängd fördelare etc.).



Se upp!

Flottörbrytaren måste kunna röra sig på sådant sätt att pumpen inte kan köras torr.

### Skötsel och underhåll



Fara!

#### Före allt servicearbete:

- Stäng av.
- Dra ut nätkabeln.
- Säkerställ att apparaten och anslutna tillbehör är trycklösa.
- Reparationer och underhållsarbete som beskrivs i detta avsnitt ska endast utföras av behöriga specialister.

#### Periodiskt underhåll

För att pumpen alltid ska fungera perfekt krävs regelbundet underhåll. Detta gäller även om pumpen används under ansträngande förhållanden med inte körs i längre tidsperioder (t.ex. vid tömning av brunnar).

#### Årlig service

- Kontrollera efter skador på pumphöljet och kablar.
- Skölj pumpen med rent vatten. Ta bort envis smuts, t.ex. alger, med en borste och diskmedel.
- För att skölja pumpen på insidan, placera den i en behållare fylld med rent vatten och starta pumpen kort.

#### Förvaring av pumpen



Se upp!



Frost skadar pumpen och tillbehören eftersom dessa alltid innehåller vatten!

- När det föreligger frostrisk, avlägsna pumpen och tillbehören och förvara dessa på en frostskyddad plats.

## Tekniska data

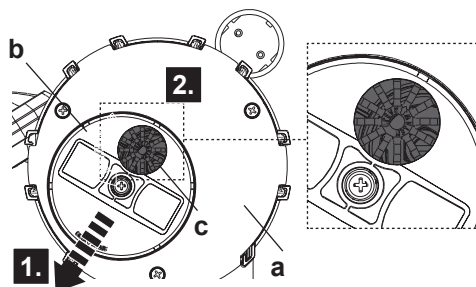
Modell	DFM877	DFM878
Spänning/frekvens	AC220-240 V, 50 Hz	AC220-240 V, 50 Hz
Nominell ineffekt	400 W	750 W
Max. tryckhöjd	7 m	9 m
Max. flöde	14 m <sup>3</sup> /h	18 m <sup>3</sup> /h
Max. nedsänkingsdjup (m)	7 m	7 m
Max. partikeldiameter (mm)	25 mm	35 mm
Max. medietemperatur	35 °C	35 °C

## Funktionslock för smutsigt/rent vatten

Vrid funktionslocket (b) till önskad inställning för avsedd användning:

### För användning i rent vatten:

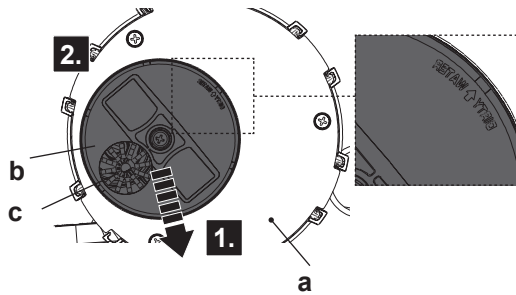
1. Lyft funktionslocket (b) så att det frigörs och vrid det sedan så att inloppet för rent vatten (c) befinner sig i mitten av bottenplattan (a) (figur 1).
2. Släpp funktionslocket (b) för att låsa fast det när du riktar in motsvarande markeringar. Se till att funktionslocket (b) ligger i linje med bottenplattan (a).



Figur 1

### För användning i smutsigt vatten:

1. Lyft funktionslocket (b) så att det frigörs och vrid det sedan 180° (figur 2) så att inloppet för rent vatten (c) befinner sig mittemot mitten (figur 2).
2. Släpp funktionslocket (b) för att låsa fast det när du riktar in motsvarande markeringar. Se till att funktionslocket (b) ligger i linje med bottenplattan (a).



figur 2

## Felsökning



**Fara!**

### Före allt servicearbete:

- Stäng av.
- Dra ut nätkabeln.

Problem	Eventuell orsak	Åtgärd
Pumpen går inte	Ingen elström	Kontrollera strömbrytaren, kablar, stickkontakt, uttag och säkring.
	Elnätets spänning är för låg	Använd endast skarvsladdar med tillräcklig tvärsnittsarea.
	Motorn överhettad, motorskyddet har löst ut	- Beakta maximal utloppstemperatur. - Sörj för tillräcklig ventilation, håll ventilationsöppningar fria. - När pumpen har svalnat startar den igen.
	Pumpen igensatt av främmande föremål	Rengör pumpen.
	Flottörbrytaren sätter inte PÅ pumpen	- Försäkra dig om att det finns tillräckligt med vatten. - Se till att flottörbrytaren kan röra sig obehindrat.
Motorn surrar men startar inte	Pumpen igensatt av främmande föremål	Rengör pumpen.

Pumpen pumpar inte på rätt sätt	Tryckhöjden är för stor	Beakta max. tryckhöjd.
	Utloppsslangen veckad	Räta ut utloppsslangen.
	Utloppsslangen läcker	Täta utloppsslangen och dra åt skarvarna.
Pumpen låter väldigt mycket	Pumpen drar in luft	<ul style="list-style-type: none"> <li>- Försäkra dig om att det finns tillräckligt med vatten.</li> <li>- Justera flottörbrytaren.</li> <li>- Håll pumpen i vinkel när du sänker ned den.</li> </ul>
Pumpen går oavbrutet	Flottörbrytaren når inte sitt lägsta läge	Se till att flottörbrytaren kan röra sig obehindrat.

## Reparationer



### Fara!

Reparationer av elektriska redskap får endast utföras av en behörig elektriker!

Elektriska redskap som behöver repareras kan skickas till ett behörigt servicecenter i ditt land. Var god bifoga en beskrivning av felet på det elektriska redskapet.

### Miljöskydd

Pumpens förpackning är 100 % återvinningsbar.

Uttjänta elektriska apparater och tillbehör innehåller en hel del värdefulla rå- och plastmaterial vilka kan återvinnas.

Denna bruksanvisning är tryckt på papper som är blekt utan klor.



Betydelse av överkorsad soptunna med hjul:

Kassera inte elektriska apparater som osorterat hushållsavfall, utan använd särskilda återvinningsanläggningar.

Kontakta din lokala myndighet för information om vilka återvinningsssystem som finns tillgängliga.

Om elektriska apparater kasseras i deponier eller på soptippar, kan farliga ämnen läcka ut i grundvattnet och komma in i livsmedelskedjan, vilket kan skada din hälsa och ditt välbefinnande.

När du byter ut gammal utrustning mot ny är återförsäljaren enligt lag skyldig att kostnadsfritt ta emot din gamla utrustning för bortskaffande.

## **Garanti**

Vi är noga med att välja material av hög kvalitet och använder tillverkningstekniker som gör det möjligt för oss att skapa produkter som förenar design och hållbarhet. Denna produkt (DFM877 DFM878) har en tillverkargaranti på 2 år avseende tillverkningsfel, från inköpsdatum (om den köpts i butik) eller leveransdatum (om den köpts online), utan extra kostnad.

För att göra anspråk på denna garanti måste du visa upp ditt inköpsbevis (t.ex. ett kvitto, en inköpsfaktura eller annat bevis som är godkänt enligt tillämplig lag). Förvara ditt inköpsbevis på ett säkert ställe. För att denna garanti ska gälla måste produkten du köpt vara ny, den gäller inte för begagnade produkter eller demonstrationsexemplar. Om inte annat anges i tillämplig lag, kommer varje ersättningsprodukt som överlämnas enligt denna garanti endast att omfattas av garanti fram till utgången av den ursprungliga garantiperioden.

Denna garanti täcker produktfel och funktionsstörningar förutsatt att produkten har använts för det ändamål den är avsedd för och att installation, rengöring, skötsel och underhåll har utförts i enlighet med informationen i dessa villkor, i bruksanvisningen och enligt gängse praxis, förutsatt att gängse praxis inte står i strid med bruksanvisningen.

Denna garanti täcker inte defekter och skador som orsakas av normalt slitage eller skador som kan vara resultatet av felaktig användning, felaktig installation eller montering, försummelse, olycka, felaktig användning eller modifiering av produkten. Om inget annat finns i tillämplig lag omfattar denna garanti inte i något fall följdkostnader (frakt, flyttning, kostnader för borttagande eller återinstallation, arbete etc.) eller direkta och indirekta skador.

Denna garanti täcker inte defekter och skador som orsakas av eller är till följd av:

- Normalt slitage och förslitning
- Överbelastning, felaktig användning eller försummelse
- Reparationsförsök utförda av någon annan än ett auktoriserat ombud
- Kosmetiska skador
- Skador orsakade av främmande föremål, främmande ämnen eller olyckor
- Oavsiktlig skada eller modifiering
- Underlåtenhet att följa tillverkarens riktlinjer

- Förlust till följd av användning av varorna

Om produkten är defekt kommer vi inom rimlig tid att reparera eller byta ut den. Rättigheter enligt denna garanti kan göras gällande i det land där du köpte denna produkt. Garantirelaterade frågor ska ställas till den butik där du köpte produkten.

Garantin är ett tillägg till och påverkar inte dina lagstadgade rättigheter.

SE

# EU-deklaration om överensstämmelse

Vi,

**Onninen Oy**

**Adress:** Satamakatu 3, FI-00160, Helsinki, Finland

**Telefon:** +358-10 53032

**Fax:** +358-9 857 4783

**deklarerar under eget ansvar att följande product**

Produkt: Dränkbar pump

Märkesnamn: OPAL

Modell/typ: DFM877/EKS-400PD

**överensstämmer med**

Maskindirektivet (MD) 2006/42/EG,

direktiv om elektromagnetisk kompatibilitet (EMC) 2014/30/EG

RoHS 2011/65/EU Annex II & (EU) 2015/863

**och att följande harmoniserade standarder och tekniska specifikationer har tillämpats:**

MD: EN 60335-1:2012+A11+A13+A1+A14+A2+A15

EN IEC 60335-2-41:2021+A11

EN 62233:2008

EN ISO 12100:2010

EMC:

EN IEC 55014-1:2021

EN IEC 55014-2:2021

EN IEC 61000-3-2:2019+A1

EN 61000-3-3:2013+A1+A2

Helsinki, Finland, October 30<sup>th</sup>, 2024

Kesko Corporation Group Companies



Ville Särkilähti - General Manager

SE

# EU-deklaration om överensstämmelse

Vi,

**Onninen Oy**

**Adress:** Satamakatu 3, FI-00160, Helsinki, Finland

**Telefon:** +358-10 53032

**Fax:** +358-9 857 4783

**deklarerar under eget ansvar att följande product**

Produkt: Dränkbar pump

Märkesnamn: OPAL

Modell/typ: DFM878/EKS-750PD

**överensstämmer med**

Maskindirektivet (MD) 2006/42/EG,

direktiv om elektromagnetisk kompatibilitet (EMC) 2014/30/EG

RoHS 2011/65/EU Annex II & (EU) 2015/863

**och att följande harmoniserade standarder och tekniska specifikationer har tillämpats:**

MD: EN 60335-1:2012+A11+A13+A1+A14+A2+A15

EN IEC 60335-2-41:2021+A11

EN 62233:2008

EN ISO 12100:2010

EMC:

EN IEC 55014-1:2021

EN IEC 55014-2:2021

EN IEC 61000-3-2:2019+A1

EN 61000-3-3:2013+A1+A2

Helsinki, Finland, October 30<sup>th</sup>, 2024

Kesko Corporation Group Companies



Ville Särkilähti - General Manager

## **Nedsenkbar pumpe (NO)**

Bruksanvisning

Kjære kunde

Takk for at du stoler på produktet vårt!

Før du bruker produktet for første gang, les denne bruksanvisningen! Her finner du informasjon om hvordan å bruke produktet trygt og sikre dets lange levetid. Vær oppmerksom på alle sikkerhetsinstruksjonene i dette dokumentet!

## **Sikkerhetsinformasjon**

### **Generelle sikkerhetsadvarsler**

- Dette apparatet skal ikke brukes av barn. Rengjøring og brukervedlikehold skal ikke utføres av barn.
- Koble alltid apparatet fra strømforsyningen før montering, demontering eller rengjøring.
- Apparater kan brukes av personer med reduserte fysiske, sensoriske eller mentale evner eller manglende erfaring og kunnskap, gitt at de har fått veiledning eller instruksjon i hvordan apparatet skal brukes på en sikker måte, og at de forstår farene forbundet med bruken.
- Barn skal ikke leke med apparatet.
- Pumper som ikke er beskyttet mot frost, skal ikke etterlates utendørs når det er minusgrader.
- Obs! Hvis strømledningen er skadet, må den skiftes ut av produsenten, dennes serviceverksted eller tilsvarende kvalifiserte personer for å unngå sikkerhetsfare.

- Gjør deg kjent med betjening, justeringer og funksjoner. Følg sikkerhets- og bruksanvisningene for å unngå mulige farer og risikoer.
- Kontakt en kvalifisert person eller forhandleren din hvis du har spørsmål etter å ha lest bruksanvisningen.
- Oppbevar bruksanvisningen slik at den er tilgjengelig for alle brukere. Gi den også videre når du gir produktet til andre.
- Ikke forsøk å modifisere produktet på noen måte. Bruk kun tilbehør som er anbefalt av produsenten.
- Bruk produktet kun i samsvar med denne bruksanvisningen. Misbruk og feil håndtering vil føre til fare for mennesker og eiendom.
- Ikke bruk produktet hvis det er synlige skader. Kontroller strømledningen, støpselet, tilkoblede slanger og kabinettet før hver bruk. Defekte produkter må repareres eller kasseres på riktig måte.
- Koble produktet fra strømforsyningen umiddelbart hvis ledningen eller produktet er skadet, eller hvis det oppstår en feil.
- Produktet må kun repareres av en kvalifisert fagperson. Feilaktige reparasjoner kan føre til elektrisk støt eller andre ulykker.
- Trekk i støpselet i stedet for i strømledningen for

å koble produktet fra strømforsyningen.

- Ikke la strømledningen henge over kanter, og ikke klem eller bøy den.
- Bruk skjøteledninger som oppfyller de tekniske kravene til dette produktet hvis bruk av skjøteledning er uunngåelig. Bruk en skjøteledning som er egnet for utendørs bruk når produktene brukes utendørs.

## **Advarsler om pumpesikkerhet**

- Apparatet skal installeres i samsvar med nasjonale forskrifter om ledninger.
- Pumpen skal forsynes gjennom en reststrømsenhet (RCD) med nominell driftsstrøm som ikke overstiger 30 mA.
- Bruk egnede tiltak for å forhindre at barn får tilgang.
- Ikke bruk pumpen når det er personer i vannet.
- Ikke bruk pumpen uten vann.
- Sørg for at ingen sjødyr (f.eks. fisk) suges opp av pumpen.
- Vær oppmerksom på at forurensning av væsken kan forekomme på grunn av lekkasje av smøremidler.
- Beskytt de elektriske tilkoblingene og ledningene mot varme, olje, skarpe kanter og fuktighet.
- Beskytt pumpen mot frost og tørrkjøring.
- Unngå sirkulasjon av aggressive væsker og

slipende materialer.

- Ikke bruk strømledningen eller flottørbryterkabelen til å transportere eller sikre produktene. Fest et tau til håndtaket for nedsenking, løfting eller sikring.
- Kontroller og rengjør pumpens utløp og innløp ved behov.
- Ikke pump væsker med sand eller andre slipende stoffer. Det fører til økt slitasje og reduserer pumpens ytelse.
- Pumpen er beregnet for skittent vann med en diameter på suspenderte urenheter som ikke overstiger 25 mm (DFM877), 35 mm (DFM878).
- Pumpen skal brukes for pumping av vann med temperaturer under 35 °C. Ikke bruk produktet for andre væsker (hydrokarboner, oljer, etsende væsker, brannfarlige væsker...).
- Bruk aldri pumpen når det er fare for frost.
- Produktet er ikke beregnet for kontinuerlig bruk. La den hvile i 10 minutter etter hver en times kjøring.

### **Nødsituasjon**

Gjør deg kjent med bruken av dette produktet ved hjelp av denne bruksanvisningen. Lær deg sikkerhetsanvisningene utenat og følg dem til punkt og prikke. Dette vil bidra til å forebygge risiko og farer.

1. Vær alltid på vakt når du bruker dette produktet, slik at du kan oppdage og håndtere risikoer tidlig. Rask inngripen kan forhindre alvorlige person- og eiendomsskader.

2. Koble fra strømforsyningen hvis det oppstår funksjonsfeil. Få produktet kontrollert av en kvalifisert fagperson og reparer det om nødvendig før du tar det i bruk igjen.

## Restrisikoer

Selv om du bruker dette produktet i samsvar med alle sikkerhetskravene, er det fortsatt en potensiell risiko for skader på personer og eiendom. Følgende farer kan oppstå i forbindelse med dette produktets konstruksjon og design:

1. Helseeffekter som følge av vibrasjonsemissjon hvis produktet brukes over lengre tid eller ikke håndteres og vedlikeholdes på riktig måte.
2. Personskader og materielle skader på grunn av ødelagte festeanordninger eller plutselige sammenstøt med skjulte gjenstander under bruk.
3. Fare for personskader og materielle skader forårsaket av flygende gjenstander.
4. Risiko for sprengning.



**ADVARSEL!** Dette produktet produserer et elektromagnetisk felt under drift! Dette feltet kan under visse omstendigheter forstyrre aktive eller passive medisinske implantater! For å redusere risikoen for alvorlige eller dødelige skader anbefaler vi at personer med medisinske implantater rådfører seg med legen sin og produsenten av det medisinske implantatet før de tar i bruk dette produktet!

## Før bruk

### Montering

- Nødvendig plass er ca. 50 cm x 50 cm (for at flottørbryteren skal fungere ordentlig, må den kunne bevege seg fritt).
- Under drift skal pumpen alltid være nedsenket i vannet opp til den minimale nedsenkingsdybden på 70 mm.
- Plasser pumpen slik at sugeinntaket ikke kan blokkeres av fremmedlegemer (plasser på et underlag om nødvendig).
- Forsikre deg om at pumpen står stabilt i oppreist stilling.



Vær forsiktig!

Ikke løft pumpen i kabelen eller utløpsslangen;

De er ikke designet for strekkbelastningen fra pumpen.

1. Senk pumpen i en vinkel for å unngå en luftpute på undersiden, noe som ville forhindre forfylling. Når pumpen er nedsenket, kan den settes i oppreist stilling.

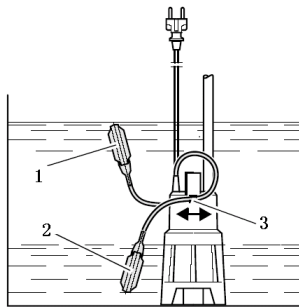
2. Senk pumpen til bunnen av væskebeholderen. Bruk et sterkt tau, festet til kabeløyet, for å senke pumpen.

3. Pumpen kan også betjenes når den er opphengt i et tau.

### Drift

Å slå PÅ og AV Etter tilkobling til strømmettet slås den nedsenkbare pumpen automatisk på og av med flottørbryteren:

- Den begynner å pumpe når væsken har løftet flottørbryteren helt opp (1).
- Pumpen slås AV når flottørbryteren har falt ned (2).



Kabelen til flottørbryteren kan flyttes i kabelholderen (3) for å justere avstanden mellom stillingene PÅ og AV:

- Flottørbryteren med en kort kabel: stillingene PÅ og AV er tett sammen.
- Flottørbryteren med en lang kabel: stillingene PÅ og AV er langt fra hverandre.

Ikke la pumpen gå i mer enn 10 minutter mot den lukkede trykksiden (f.eks. lukket ventil, lukket dispenser osv.).



Vær forsiktig!

Flottørbryteren må kunne bevege seg på en slik måte at pumpen ikke kan gå tørr.

### Stell og vedlikehold



**Fare!**

#### **Før all vedlikehold:**

- Slå pumpen av.
- Trekk ut strømkabelen.
- Sørg for at enheten og tilkoblet tilbehør er trykkløse.
- Reparasjons- og vedlikeholdsarbeid annet enn beskrevet her bør bare utføres av kvalifiserte spesialister.

#### **Regelmessig vedlikehold**

For at pumpen skal fungere perfekt når som helst, er det nødvendig med regelmessig vedlikehold.

Dette gjelder også hvis pumpen brukes under vanskelige forhold, men ikke er i bruk i lengre perioder (f.eks. når den brukes i brønnavløp)

#### **Årlig vedlikehold**

- Kontroller pumpehuset og kablene for skader.
- Skyll pumpen med klart vann. Fjern vedvarende tilsmussing, f.eks. alger, med børste og oppvaskmiddel.
- For å skylle innsiden av pumpen, plasser den i en beholder fylt med klart vann og slå pumpen PÅ for en kort tid.

### **Lagring av pumpe**



Vær forsiktig!



Frosten skader pumpen og tilbehøret, ettersom begge deler alltid inneholder vann!

- Når det er fare for frost, fjern pumpen og tilbehøret og oppbevar på et frostsikkert sted.

## Tekniske spesifikasjoner

Modell	DFM877	DFM878
Spenning/Frekvens	AC220-240 V, 50 Hz	AC220-240 V, 50 Hz
Nominell inngang	400 W	750 W
Maks. trykkehøyde	7 m	9 m
Maks. strømningshastighet	14 m <sup>3</sup> /h	18 m <sup>3</sup> /h
Maks. nedsenkingsdybde (m)	7 m	7 m
Maks. partikkeldiameter (mm)	25 mm	35 mm
Maks. væsketemperatur	35 °C	35 °C

### Funksjonsdeksel for skittent/klart vann

Vri funksjonsdekselet (b) til ønsket innstilling i henhold til tiltenkt bruk:

#### For bruk i rent vann:

1. Løft funksjonsdekselet (b) slik at det løsner, og vri det deretter slik at det klare vanninntaket (c) forblir i midten av bunnplaten (a) (fig.1).
2. Slipp funksjonsdekselet (b) for å aktivere det ved innretting av de tilsvarende markeringene. Sikre at funksjonsdekselet (b) ligger flukt med bunnplaten (a).

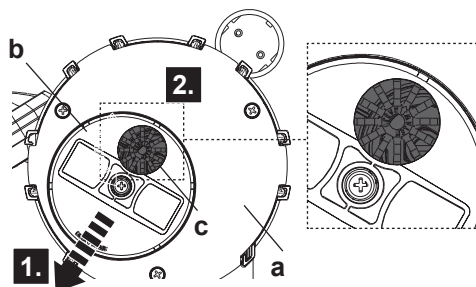


Fig.1

#### For bruk med skittent vann:

1. Løft funksjonsdekselet (b) slik at det kobles ut, og vri det deretter 180° (fig. 2) slik at inntaket for rent vann (c) blir stående i motsatt posisjon av midten (fig. 2).
2. Slipp funksjonsdekselet (b) for å aktivere det ved innretting av de tilsvarende markeringene. Sikre at funksjonsdekselet (b) ligger flukt med bunnplaten (a).

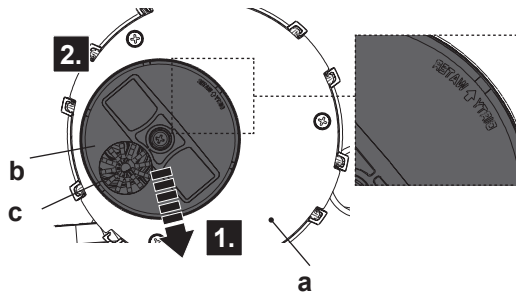


Fig.2

## Feilsøking



**Fare!**

### Før all vedlikehold:

- Slå pumpen av.
- Trekk ut strømkabelen.

Problem	Mulig årsak	Eliminering
Pumpen starter ikke	Ingen strøm	Sjekk PÅ/AV-bryteren, kablene, pluggen, stikkontakten og nettsikringen
	For lav nettspenning	Bruk kun skjøteledninger med tilstrekkelig tverrsnittsareal
	Motor overopphetet, motorvernrelé aktivert	- Vær oppmerksom på maksimal væsketemperatur - Sikre tilstrekkelig ventilasjon, hold ventilasjonsåpninger frie - Etter avkjøling vil pumpen starte igjen
	Pumpen blokkert av fremmedlegemer	Rengjør pumpen
	Flottørbryteren slår ikke pumpen PÅ	- Forsikre deg om at det er tilstrekkelig vannforsyning - Forsikre deg om at flottørbryteren kan bevege seg ubegrenset

Motoren brummer, men starter ikke	Pumpen blokkert av fremmedlegemer	Rengjør pumpen
	Trykkhøyden er for stor	Sjekk maks. trykkhøyde
Pumpen pumper ikke ordentlig	Utslippsslangen krøller	Rett utslippsslangen
	Utslippsslangen lekker	Tett utslippsslangen og stram skruene.
Pumpen lager mye støy	Pumpen drar inn luft	<ul style="list-style-type: none"> <li>- Forsikre deg om at det er tilstrekkelig vannforsyning</li> <li>- Juster flottørbryteren.</li> <li>- Hold pumpen i en vinkel når den senkes ned</li> </ul>
Pumpen går kontinuerlig	Flottørbryteren når ikke sin laveste stilling	Forsikre deg om at flottørbryteren kan bevege seg ubegrenset

## Reparasjoner



### Fare!

Reparasjoner av elektriske verktøy kan kun utføres av en kvalifisert elektriker!

Det elektriske verktøyet som trenger reparasjon kan sendes til et autorisert verksted i ditt land.

Vennligst legg ved en beskrivelse av feilen ved det elektriske verktøyet.

### Miljøvern

Emballasjen til pumpen kan resirkuleres 100 %.

Utslitte elektroverktøy og tilbehør inneholder betydelige mengder verdifulle rå- og plastmaterialer som kan resirkuleres.

Denne bruksanvisningen er trykt på klorfritt bleket papir.



Betydning av søppeldunk med kryss over:

Ikke kast elektriske apparater som usortert kommunalt avfall, lever dem til en gjenvinningsstasjon.

Kontakt lokale myndigheter for informasjon om nærmeste tilgjengelige

gjenvinningsstasjon.

Hvis elektriske apparater kastes på søppelhauger, kan farlige stoffer lekke ut i grunnvannet og komme inn i næringskjede og føre til skade på helse og velvære.

Når gamle apparater erstattes med nye, er forhandleren rettslig forpliktet til å avhende dine gamle apparater gratis.

## **GARANTI**

Vi er spesielt nøye med å velge materialer av høy kvalitet og bruke produksjonsteknikker som gjør det mulig for oss å skape produkter som kombinerer design og holdbarhet. Dette produktet (DFM877 DFM878) har en produsentgaranti på 2 år mot produksjonsfeil, fra kjøpsdatoen (ved kjøp i butikk) eller leveringsdatoen (ved kjøp på nett), uten ekstra kostnad. For å gjøre krav i henhold til denne garantien må du fremvise kjøpsbevis (for eksempel kvittering, kjøpsfaktura eller annet bevis som er tillatt i henhold til gjeldende lov), oppbevar kjøpsbeviset på et trygt sted. For at denne garantien skal gjelde må produktet du har kjøpt være nytt, den gjelder ikke for brukte produkter eller utstillingsprodukter. Med mindre annet er angitt i gjeldende lovverk, vil ethvert erstatningsprodukt som utstedes i henhold til denne garantien kun være garantert frem til utløpet av den opprinnelige garantiperioden.

Denne garantien dekker produktfeil og funksjonsfeil forutsatt at produktet er brukt til det formålet det er beregnet for, og at installasjon, rengjøring, stell og vedlikehold er utført i samsvar med informasjonen i disse vilkårene, i bruksanvisning og i henhold til vanlig praksis, forutsatt at vanlig praksis ikke er i strid med bruksanvisningen.

Denne garantien dekker ikke defekter og skader som skyldes normal slitasje eller skader som kan være et resultat av feilaktig bruk, feilaktig installasjon eller montering, forsømmelse, uhell, misbruk eller modifisering av produktet. Med mindre annet følger av gjeldende lovgivning, dekker denne garantien under ingen omstendigheter ekstrakostnader (frakt, flytting, kostnader ved av- og påmontering, arbeid osv.) eller direkte og indirekte skader.

Denne garantien dekker ikke feil og skader forårsaket av eller som følge av:

- Normal slitasje og elde
- Overbelastning, feil bruk eller forsømmelse
- Reparasjonsforsøk utført av andre enn en autorisert agent
- Kosmetiske skader
- Skade forårsaket av fremmedlegemer, substanser eller ulykker

- Utilsiktet skade eller modifisering
- Unnlatelse av å følge produsentens retningslinjer
- Tap av bruk av varene

Hvis produktet er defekt, vil vi innen rimelig tid reparere eller erstatte det. Rettigheter i henhold til denne garantien kan håndheves i det landet der du kjøpte dette produktet. Garantirelaterte spørsmål skal rettes til butikken du kjøpte dette produktet fra.

Garantien kommer i tillegg til og påvirker ikke dine lovfestede rettigheter.

NO

# EU-samsvarserklæring

Vi

**Kesko Corporation,**

**Address:** PL 1,00016, Helsinki, Finland

**Telefon:** +358-10 53032 **Fax:** +358-9 8574783

**Erklærer under vårt eneansvar at følgende produkt Utstyr:**

Utskyting: Nedsenkbar pumpe

Merkenavn: OPAL

Modell/type: DFM877/EKS-400PD

**er i samsvar med**

Maskindirektiv (MD) 2006/42/EC

Direktiv om elektromagnetisk kompatibilitet (EMC) 2014/30/EC,

RoHS 2011/65/EU Annex II & (EU)2015/863

**og følgende harmoniserte standarder og tekniske spesifikasjoner er brukt:**

MD: EN 60335-1:2012+A11+A13+A1+A14+A2+A15

EN IEC 60335-2-41:2021+A11

EN 62233:2008

EN ISO 12100:2010

EMC:

EN IEC 55014-1:2021

EN IEC 55014-2:2021

EN IEC 61000-3-2:2019+A1

EN 61000-3-3:2013+A1+A2

Helsinki, Finland, October 30<sup>th</sup>, 2024

Kesko Corporation Group Companies



Ville Särkilahti - General Manager

NO

# EU-samsvarserklæring

Vi

**Kesko Corporation,**

**Address:** PL 1,00016, Helsinki, Finland

**Telefon:** +358-10 53032 **Fax:** +358-9 8574783

**Erklærer under vårt eneansvar at følgende produkt Utstyr:**

Utskyting: Nedsenkbar pumpe

Merkenavn: OPAL

Modell/type: DFM878/EKS-750PD

**er i samsvar med**

Maskindirektiv (MD) 2006/42/EC

Direktiv om elektromagnetisk kompatibilitet (EMC) 2014/30/EC,

RoHS 2011/65/EU Annex II & (EU)2015/863

**og følgende harmoniserte standarder og tekniske spesifikasjoner er brukt:**

MD: EN 60335-1:2012+A11+A13+A1+A14+A2+A15

EN IEC 60335-2-41:2021+A11

EN 62233:2008

EN ISO 12100:2010

EMC:

EN IEC 55014-1:2021

EN IEC 55014-2:2021

EN IEC 61000-3-2:2019+A1

EN 61000-3-3:2013+A1+A2

Helsinki, Finland, October 30<sup>th</sup>, 2024

Kesko Corporation Group Companies



Ville Särkilahti - General Manager

## **Sukelpump (EE)**

Kasutusjuhend

Lugupeetud klient

Täname teid, et usaldate meie toodet!

Enne toote esmakordset kasutamist lugege palun käesolev kasutusjuhend kindlasti läbi. Leiata siit teavet selle kohta, kuidas kasutada toodet ohutult ja tagada selle pikk kasutuskestus. Palun pöörake tähelepanu kõigile selles dokumendis esitatud ohutusjuhiste.

## **Ohutusteave**

### **Üldised ohutushoiatused**

- Lapsed ei tohi seadet kasutada. Lapsed ei tohi seadet puhastada ega hooldada.
- Enne kokkupanekut, lahtivõtmist või puhastamist eemaldage seade alati vooluvõrgust.
- Väheste sensorsete, füüsiliste või vaimsete võimetega isikud ning need, kellel puuduvad vajalikud kogemused ja teadmised, tohivad seadmeid kasutada ainult nende ohutuse eest vastutava isiku järelevalve all või kui on saanud seadme ohutu kasutuse juhised ja mõistavad kaasnevaid ohtusid.
- Ärge lubage lastel seadmega mängida.
- Pumpasid, millel puudub märged, et need on külmumise eest kaitstud, ei tohi külma korral õue jätta.
- Tähelepanu! Kui toitekaabel on kahjustatud, peab selle ohutuse tagamiseks asendama tootja, hoolduspartner või sarnase kvalifikatsiooniga isik.

- Tutvuge käitus-, seadistus- ja kasutusvõimalustega. Järgige ohutus- ja kasutusjuhiseid, et vältida võimalikke riske ja ohte.
- Kui teil on pärast kasutusjuhendi lugemist küsimusi, võtke ühendust kvalifitseeritud isiku või edasimüüjaga.
- Hoidke kasutusjuhendit nii, et see oleks kõigile kasutajatele kättesaadav. Edastage see samuti, kui annate seadme teistele edasi.
- Ärge püüdke seadet mingil viisil muuta. Kasutage ainult tootja soovitatud lisaseadmeid ja tarvikuid.
- Kasutage seadet ainult kasutusjuhendi kohaselt. Väärkasutamine ja ebaõige käsitsemine ohustab inimesi ja vara.
- Ärge kasutage nähtavalt kahjustatud seadet. Enne iga kasutamist vaadake üle toitekaabli, pistiku, ühendatud voolikute ja korpuse seisukord. Vigased seadmed tuleb parandada või nõuetekohaselt kõrvaldada.
- Kui toitekaabel või seade on kahjustatud või tekib rike, eemaldage seade kohe vooluvõrgust.
- Laske seadet parandada ainult kvalifitseeritud spetsialistil. Ebaõiged parandused võivad põhjustada elektrilöögi või muid õnnetusi.
- Toote vooluvõrgust eemaldamiseks tõmmake pistikust, mitte toitekaablist.

- Ärge laske toitekaabli üle servade rippuda, ärge pigistage ega painutage seda.
- Kui pikenduskaabli kasutamine on vältimatu, kasutage selle seadme tehnilistele nõuetele vastavaid pikenduskaableid. Kui kasutate seadmeid õues, kasutage sobivat pikenduskaablit.

## **Pumba ohutushoiatused**

- Seade tuleb paigaldada kohalike riiklike elektripaigaldiste nõuete kohaselt.
- Pumba toide peab olema ühendatud rikkevoolukaitselüli (RCD) kaudu, mille rakendumisvool ei tohi ületada 30 mA.
- Vältida laste juurdepääsu asjakohaste meetmetega.
- Ärge kasutage pumpa, kui inimesed on vees.
- Ärge käitage pumpa ilma veeta.
- Veenduge, et pump ei tõmbaks veest veeloomi (nt kalu).
- Pidage meeles, et määrdeainete leke võib põhjustada vedelike reostuse.
- Kaitske elektriühendusi ja kaableid kuumuse, õli, teravate servade ja niiskuse eest.
- Kaitske pumpa külmumise ja kuivkäituse eest.
- Vältige sööbivate vedelike ja abrasiivsete materjalide pumpamist.
- Ärge kasutage toitekaablit või ujuklüüti kaablit

seadme teisaldamiseks või kinnitamiseks. Kinnitage sukeldamiseks, tõstmiseks või kinnitamiseks käepidemele köis.

- Korrastage ja puhastage pumba välja- ja sisselaskeava vajaduse järgi.
- Ärge pumbake liiva või muid abrasiivseid aineid sisaldavaid vedelikke. See kiirendab pumba kulumist ja vähendab tootlikkust.
- Pump on mõeldud määrdunud vee jaoks, mille suspensioonilisandite läbimõõt ei ületa 25 mm (DFM877), 35 mm (DFM878).
- Pumpa tohib kasutada alla 35 °C temperatuuriga vee pumpamiseks. Ärge kasutage seadet muude vedelike (süsivesinikud, õlid, söövitavad vedelikud, tuleohtlikud vedelikud jne) pumpamiseks.
- Ärge kasutage pumba külmumisohu korral.
- Seade ei ole mõeldud pidevaks kasutamiseks. Jätke see iga 1 tunni pikkuse käitamise järel 10 minutiks seisma.

### **Hädaolukord**

Tutvuge kasutusjuhendiga. Jätke ohutusjuhised meelde ja järgige neid täpselt. See aitab vältida riske ja ohte.

1. Kasutage seadet alati tähelepanelikult, et saaksite ohud varakult ära tunda ja nendega toime tulla. Kiire sekkumine võib ära hoida raskeid vigastusi ja varakahjustusi.

2. Tõrgete korral eemaldage vooluvõrgust. Enne uuesti kasutamist laske seade kvalifitseeritud spetsialistil üle vaadata ja vajaduse korral parandada.

### **Jääkriskid**

Isegi kui käitate seda seadet kõigi ohutusnõuete kohaselt, säilib võimalik

vigastuste ja kahjustuste oht. Selle seadme struktuuri ja konstruktsiooni tõttu võivad tekkida järgmised ohud.

1. Vibratsioonist tulenevad tervisekahjustused, kui seadet kasutatakse pikka aega või kui seda ei käsitseta ega hooldata nõuetekohaselt.

2. Vigastused ja varakahjustused, mis on tingitud purunenud kinnitusdetailide tõttu või kasutusaegsest kokkupõrkest varjatud esemetega.

3. Paiskuvate esemete põhjustatud vigastuste ja varakahju oht.

4. Lõhkemisoht.



**HOIATUS!** See seade tekitab käitamise ajal elektromagnetvälja. See väli võib mõnel juhul segada aktiivsete või passiivsete implantaatide tööd. Raskete või surmavate vigastuste ohu vältimiseks soovitame meditsiiniliste implantaatidega isikutel võtta enne seadme kasutamist ühendust arsti ja meditsiiniseadme tootjaga.

### **Enne kasutamist**

#### **Paigaldamine**

Vajalik ruum on u 50 x 50 cm (selleks, et ujuklüliti töötaks õigesti, peab see saama vabalt liikuda).

Töötamise ajal peab pump olema alati sukeldatud vette kuni minimaalse sukeldamissügavuseni 70 mm.

Pump tuleb paigutada nii, et võõrkehad ei saa imiava blokeerida (vajaduse korral paigutada alusele).

Tagada tuleb piisav vertikaalne stabiilsus.



### **Ettevaatust!**

Pumpa ei tohi tõsta toitekaablist ega survevoolikust, sest kumbki neist ei ole arvestatud vastu pidama pumba kaalust põhjustatud tõmbejõule.

1. Sukeldada pump nurga all, et vältida pumba

veega täitumist takistava õhupadja moodustumist pumba alla. Kui pump on sukeldatud, saab selle seada püstasendisse.

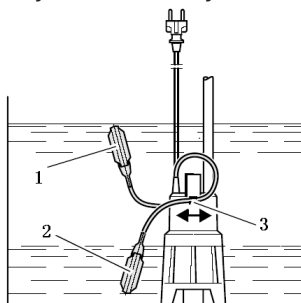
2. Lasta pump vedelikumahuti põhja. Pumba sukeldamiseks tuleb kasutada tugevat, riputusaasade külge kinnitatud nõõri.

3. Pumba võib kasutada ka nõõri otsa riputatult.

### Kasutamine

Sisse- ja väljalülitamise. Elekritoitevõrku ühendatud sukelpump lülitub ujuklüliti abil automaatselt sisse ja välja.

- Pump hakkab tööle kui vedelik on ujuki täiesti üles tõstnud (1).
- Pump lülitub välja, kui ujuk on alla vajunud (2).



Ujuklüliti kaablit saab kaablihoidikus (3) liigutada, et reguleerida sisse- ja väljalülitumispunktide vahelist kaugust:

- Ujuklüliti on lühikese kaabli otsas: sisse- ja väljalülitumispunktid on teineteise lähedal.
- Ujuklüliti on pika kaabli otsas: sisse- ja väljalülitumispunktid on teineteisest kaugel.

Pumbal ei tohi lasta töötada suletud survepoolega (nt suletud kraan, suletud kollektor jne) kauem kui 10 minutit.



**Ettevaatust!**

Ujuklülitiil peab olema võimalik liikuda nii, et pump ei saa töötada kuivalt.

## Korrashoid ja hooldamine



Oht!

### Enne mistahes hooldustöö alustamist:

- Lülitada pump välja.
- Tõmmata pistik pistikupesast välja.
- Veenduda, et seade ja ühendatud tarvikud on rõhu alt vabastatud.
- Siinkirjeldatutest erinevaid remondi- ja hooldustöid tohivad teha ainult asjakohase kvalifikatsiooniga spetsialistid.

### Regulaarhooldus

Selleks, et pump töötaks alati tõrgeteta, tuleb seda regulaarselt hooldada. See kehtib ka juhul, kui pumpa kasutatakse rasketes tingimustes, kuid kasutuskordade vahele jäävad pikad ajavahemikud, mil pumpa ei kasutata (nt kogumiskaevude tühjendamine).

### Aastahooldus

- Kontrollida pumba korpuse ja kaablite kahjustuste puudumist.
- Loputada pumpa puhta veega. Eemaldada kinnijäänud mustus, nt vetikakogumid, harja ja nõudepesuvahendi abil.
- Pumba sisemuse läbipesemiseks panna see puhta veega täidetud anumasse ja lülitada lühikeseks ajaks sisse.

### Pumba hoidmine



Ettevaatust!



Külmumine kahjustab pumpa ja tarvikuid, sest neisse jääb alati vett.

- Külmumisohu korral eemaldada pump ja tarvikud ning panna need külmumiskindlasse kohta hoiule.

### Tehnilised andmed

Mudel	DFM877	DFM878
Pinge/sagedus	AC220-240 V, 50 Hz	AC220-240 V, 50 Hz
Nimivõimsustarve	400 W	750 W
Maksimaalne tõstekõrgus	7 m	9 m
Maksimaalne vooluhulk	14 m <sup>3</sup> /h	18 m <sup>3</sup> /h

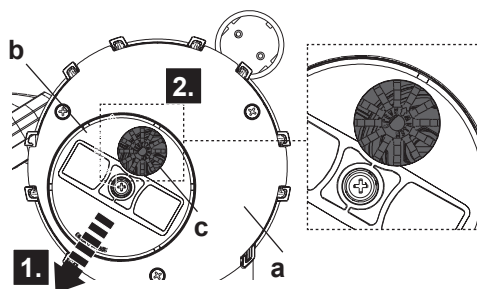
Maksimaalne sukeldamissügavus	7 m	7 m
Maksimaalne osakeste läbimõõt	25 mm	35 mm
Pumbatava vedeliku maksimaalne temperatuur	35 °C	35 °C

## Saastunud/puhta vee pumpamise talitluskate

Keerake talitluskate (b) kasutusotstarbele vastavasse soovitud asendisse.

### Puhta veega kasutamiseks

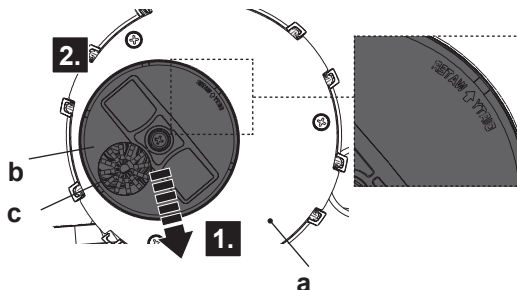
1. Tõstke talitluskatet (b), et see vabastada, seejärel keerake nii, et puhta vee sisendava (c) jääks põhjaplaadi (a) keskele (joonis 1).
2. Vabastage talitluskate (b), et see haakuks pärast märgistuste joondamist. Veenduge, et talitluskate (b) oleks põhjaplaadiga (a) samas tasapinnas.



Joonis 1

### Saastunud veega kasutamiseks

1. Tõstke talitluskatet (b), et see vabastada, seejärel keerake seda 180° (joonis 2), et puhta vee sisendava (c) jääks põhjaplaadi keskkohast vastaspoolele (joonis 2).
2. Vabastage talitluskate (b), et see haakuks pärast märgistuste joondamist. Veenduge, et talitluskate (b) oleks põhjaplaadiga (a) samas tasapinnas.



Joonis 2

## Tõrgete kõrvaldamine



Oht!

### Enne mistahes hooldustöö alustamist:

- Lülitada pump välja.
- Tõmmata pistik pistikupesast välja.

Tõrge	Võimalik põhjus	Kõrvaldamine
Pump ei tööta.	Puudub toitepinge.	Kontrollida töölülitit, kaableid, pistikut, pistikupesa ja toiteahela kaitset.
	Toitepinge on liiga madal.	Kasutada ainult piisava ristlõikepindalaga pikendusjuhtmeid.
	Mootor kuumeneb üle, mootori kaitserelee rakendub.	- Järgida pumbatava vee maksimaalset temperatuuri. - Tagada piisav ventilatsioon, hoida pumba õhuavad vabad. - Pärast jahtumist lülitub pump jälle sisse.
	Pump on võõrkehade poolt blokeeritud.	Puhastada pump.
	Ujuklülitit ei lülita pumba sisse.	- Kontrollida, kas veetase on piisavalt kõrge. - Kontrollida, et ujuklülitit saab vabalt liikuda.
Mootor undab, aga ei käivitu.	Pump on võõrkehade poolt blokeeritud.	Puhastada pump.
Pump ei pumba korralikult.	Tõstekõrgus on liiga suur.	Järgida maksimaalset tõstekõrgust.
	Survevoolik on keerdus.	Seada survevoolik sirgeks.
	Survevoolik lekib.	Kõrvaldada survevooliku leke ja pingutada keermesliitmikud.

Pump teeb väga kõva müra.	Pump tõmbab õhku sisse.	- Kontrollida, kas veetase on piisavalt kõrge. - Seada ujuklüliti õigesti. - Hoida pumba sukeldamise ajal nurga all.
Pump töötab pidevalt.	Ujuklüliti ei saavuta alumist asendit.	Kontrollida, et ujuklüliti saab vabalt liikuda.

## Remont



### Oht!

Elektriseadmeid tohib remontida ainult vastava kvalifikatsiooniga elektrik! Remonti vajavad elektriseadmed võib saata kohalikku volitatud hoolduskeskusesse.

Palun lisada elektriseadme töötörke kirjeldus.

## Keskkonnakaitse

Pumba pakend on 100% taaskasutatav.

Kasutuselt kõrvaldatavad elektritööriistad ja tarvikud sisaldavad märkimisväärset hulgal väärtuslikku toor- ja plastmaterjali, mida saab taaskasutada.

Käesolev juhend on trükitud ilma kloorita pleegitatud paberile.



Läbikriipsutatud ratastel prügikonteineri tähendus

Ärge kõrvaldage elektriseadmeid koos olmejäätmetega, vaid viige need kogumispunkti.

Vajaduse korral pöörduge kogumiskeskuse leidmiseks kohaliku omavalitsuse poole.

Kui elektriseadmed viiakse prügimäele, võivad nendes olevad ohtlikud ained põhjavette lekkida ning toiduahelasse sattumisel teie tervist ja heaolu kahjustada.

Vanade seadmete asemel uute ostmise korral on edasimüüja kohustatud teie vana seadme töötlemiseks tasuta vastu võtma.

## Garantii

Me pöörame erilist tähelepanu kvaliteetsete materjalide valikule ja kasutame tootmistehnikaid, mis võimaldavad meil luua tänapäevase

disaini ja vastupidavusega tooteid. Tootja annab sellele tootele (DFM877 DFM878) tootmisvigade suhtes 2-aastase lisakuludeta garantii alates ostu- (kui on ostetud poest) või tarnekuupäevast (kui on ostetud veebist). Selle garantii alusel nõude esitamiseks peate esitama ostutõendi (näiteks müügikviitungi, ostuarve või muu kehtiva õiguse kohaselt aktsepteeritava tõendi). Seetõttu hoidke ostutõendit kindlas kohas. Garantii kehtimiseks peab ostetud toode olema müüdud uuena, see ei kehti kasutatud või väljapanekutoodete kohta. Kui kohaldatavas õiguses ei ole sätestatud teisiti, kehtib garantii alusel väljastatud asendustoote garantii ainult esialgse garantiiaja lõpuni.

Garantii hõlmab toote rikkeid ja talitlushäireid, kui toodet kasutati ettenähtud otstarbel, kui see paigaldati, seda puhastati ja hooldati tingimustes ja kasutusjuhendis sisalduva teabe kohaselt ja tavapraktikat järgides, tingimusel et tavapraktika ei ole vastuolus kasutusjuhendiga. Garantii ei hõlma defekte ja kahjustusi, mis on põhjustatud tavalisest kulumisest ja kahjustustest, mis võivad olla tingitud toote ebaõigest kasutamisest, vigasest paigaldamisest või kokkupanekust, hooletusest, õnnetusest, väärkasutamisest või muutmisest. Kui kohaldatavast õigusest ei tulene teisiti, ei kata garantii mingil juhul lisakulusid (saatmine, demonteerimise ja uuesti paigaldamise kulud, tööjõud jne) ega otseseid ja kaudseid kahjusid.

Garantii ei hõlma defekte ja kahjustusi, mis on põhjustatud või tulenevad järgmistest asjaoludest:

- Harilik kulumine;
- Ülekoormus, väärkasutus või hooletus;
- Muude kui volitatud esindaja tehtud parandustööd;
- Iluved;
- Võõrkehadedest, ainetest või õnnetusjuhtumistest põhjustatud kahjustused;
- Juhuslik kahjustus või muudatus;
- Tootja suuniste eiramine;
- Kauba kasutamisel tekkinud kadu.

Kui toode on defektne, parandame või asendame selle mõistliku aja jooksul. Garantiikohased õigused kehtivad riigis, kus te selle toote ostsite. Garantiiga seotud päringud tuleb esitada kauplusele, kust te selle toote ostsite.

Garantii täiendab teie seadusest tulenevaid õigusi ega mõjuta neid.

EE

# EL-i nõuetele vastavuse deklaratsioon

**Meie**

**Onninen Oy**

**Address:** Satamakatu 3, FI-00160, Helsinki, Finland

**Telefon:** +358-10 53032

**Faks:** +358-9 857 4783

**kinnitame oma ainuvastutusel, et käesolev toode**

Seade: Sukelpump

Mark: OPAL

Mudel/tüüp: DFM877/EKS-400PD

**vastab järgmiste direktiivide nõuetele:**

Masinadirektiiv (MD) 2006/42/EÜ

elektromagnetilise ühilduvuse direktiiv (EMC) 2014/30/EÜ

RoHS 2011/65/EU Annex II & (EU) 2015/863

**ja rakendatud on järgmisi harmoneeritud standardseid ja tehnilisi normdokumente:**

MD: EN 60335-1:2012+A11+A13+A1+A14+A2+A15

EN IEC 60335-2-41:2021+A11

EN 62233:2008

EN ISO 12100:2010

EMC:

EN IEC 55014-1:2021

EN IEC 55014-2:2021

EN IEC 61000-3-2:2019+A1

EN 61000-3-3:2013+A1+A2

Helsinki, Finland, October 30<sup>th</sup>, 2024

Kesko Corporation Group Companies



Ville Särkilahti - General Manager

EE

# EL-i nõuetele vastavuse deklaratsioon

**Meie**

**Onninen Oy**

**Address:** Satamakatu 3, FI-00160, Helsinki, Finland

**Telefon:** +358-10 53032

**Faks:** +358-9 857 4783

**kinnitame oma ainuvastutusel, et käesolev toode**

Seade: Sukelpump

Mark: OPAL

Mudel/tüüp: DFM878/EKS-750PD

**vastab järgmiste direktiivide nõuetele:**

Masinadirektiiv (MD) 2006/42/EÜ

elektromagnetilise ühilduvuse direktiiv (EMC) 2014/30/EÜ

RoHS 2011/65/EU Annex II & (EU) 2015/863

**ja rakendatud on järgmisi harmoneeritud standardseid ja tehnilisi normdokumente:**

MD: EN 60335-1:2012+A11+A13+A1+A14+A2+A15

EN IEC 60335-2-41:2021+A11

EN 62233:2008

EN ISO 12100:2010

EMC:

EN IEC 55014-1:2021

EN IEC 55014-2:2021

EN IEC 61000-3-2:2019+A1

EN 61000-3-3:2013+A1+A2

Helsinki, Finland, October 30<sup>th</sup>, 2024

Kesko Corporation Group Companies



Ville Särkilahti - General Manager

## **Iegremdējamais sūknis (LV)**

Lietošanas pamācība

Cienījamais klient!

Pateicamies par uzticēšanos mūsu izstrādājumiem!

Pirms izstrādājuma pirmās lietošanas, lūdzu, noteikti izlasiet šo lietošanas instrukciju! Šeit jūs atradīsiet informāciju par to, kā droši izmantot šo izstrādājumu un tam nodrošināt ilgu kalpošanas laiku. Pievērsiet uzmanību visām šajā dokumentā iekļautajām drošības norādēm!

## **Drošības informācija**

### **Vispārīgi drošības brīdinājumi**

- Šo ierīci nedrīkst lietot bērni. Bērni nedrīkst veikt tīrīšanu un lietotāja apkopi.
- Pirms montāžas, demontāžas vai tīrīšanas vienmēr atvienojiet ierīci no strāvas padeves.
- Ierīces var lietot personas ar ierobežotām fiziskajām, maņu vai garīgajām spējām vai ar nepietiekamu pieredzi un zināšanām, ja tās tiek uzraudzītas vai instruētas par ierīces lietošanu drošā veidā un ja tās saprot ar to saistītos apdraudējumus.
- Bērni nedrīkst spēlēties ar ierīci.
- Sūkņus bez norādes, ka tie ir aizsargāti pret sasalšanas iedarbību, nedrīkst atstāt ārā aukstā laikā.
- Uzmanību! Ja strāvas vads ir bojāts, tas jānomaina ražotājam, tā servisa pārstāvim vai līdzīgi kvalificētām personām, lai izvairītos no drošības apdraudējuma.
- Iepazīstieties ar ierīces darbību, regulēšanu un

funkcijām. Lai izvairītos no iespējamiem riskiem un apdraudējumiem, ievērojiet drošības un lietošanas instrukcijas.

- Ja pēc lietošanas instrukcijas izlasīšanas rodas jautājumi, sazinieties ar kvalificētu speciālistu vai izplatītāju.
- Uzglabājiet lietošanas instrukciju tā, lai tā būtu pieejama visiem lietotājiem. Nododiet to tālāk arī tad, kad dodat produktu citiem.
- Nemēģiniet nekādā veidā pārveidot izstrādājumu. Izmantojiet tikai ražotāja ieteiktos piederumus un papildierīces.
- Izmantojiet izstrādājumu tikai saskaņā ar šo lietošanas instrukciju. Nepareiza lietošana un nepareiza rīcība var radīt apdraudējumu cilvēkiem un īpašumam.
- Nelietojiet izstrādājumu, ja ir redzami bojājumi. Pirms katras lietošanas reizes pārbaudiet strāvas vadu, kontaktdakšu, pievienotās šļūtenes un apvalku. Bojāti izstrādājumi ir jālabo vai pienācīgi jāiznīcina.
- Nekavējoties atvienojiet izstrādājumu no strāvas padeves, ja ir bojāts vads vai izstrādājums, vai ja rodas bojājums.
- Nosūtiet izstrādājumu remontēt tikai kvalificētam speciālistam. Nepareizi veikts remonts var izraisīt elektriskās strāvas triecienu vai citus negadījumus.

- Lai atvienotu izstrādājumu no strāvas padeves, velciet kontaktdakšu, nevis strāvas vadu.
- Neļaujiet strāvas vadam karāties pāri malām, nespiediet to un nelieciet.
- Ja pagarinātāja izmantošana ir neizbēgama, izmantojiet pagarinātājus, kas atbilst šī izstrādājuma tehniskajām prasībām. Lietojot izstrādājumus ārpus telpām, izmantojiet pagarinātāju, kas piemērots lietošanai ārpus telpām.

## **Sūkņa drošības brīdinājumi**

- Iekārta jāuzstāda saskaņā ar nacionālajiem elektroinstalācijas noteikumiem.
- Sūknis jābaro, izmantojot atlikušās strāvas ierīci (RCD), kuras nominālā atlikusī darba strāva nepārsniedz 30 mA.
- Novērsiet bērnu piekļuvi ar atbilstošiem pasākumiem.
- Neizmantojiet sūkni, ja ūdenī atrodas cilvēki.
- Neiedarbiniet sūkni bez ūdens.
- Pārliedzinieties, ka sūknis neiesūc jūras iemītniekus (piemēram, zivis).
- Ņemiet vērā, ka šķidruma piesārņojums var rasties smērvielu noplūdes dēļ.
- Aizsargājiet elektriskos savienojumus un vadus no karstuma, eļļas, asām malām un mitruma.
- Pasargājiet sūkni no sala un darbības sausumā.

- Izvairieties no abrazīvu materiālu agresīvu šķidrumu cirkulācijas.
- Neizmantojiet strāvas vadu vai pludiņslēdža kabeli, lai transportētu vai nostiprinātu produktu. Piestipriniet virvi pie roktura, lai to varētu iegremdēt, pacelt vai nostiprināt.
- Ja nepieciešams, pārbaudiet un iztīriet sūkņa izplūdes un ieplūdes atveri.
- Nesūknējiet šķidrumus ar smiltīm vai citām abrazīvām vielām. Tas palielina nodilumu un samazina sūkņa jaudu.
- Sūknis ir paredzēts tīram ūdenim ar apturētu piemaisījumu diametru, kas nepārsniedz 25 mm (DFM877), 35 mm (DFM878).
- Sūknis jāizmanto ūdens sūknēšanai ar temperatūru zem 35 °C, neizmantojiet izstrādājumu citiem šķidrumiem (ogļūdeņražiem, eļļām, kodīgiem šķidrumiem, uzliesmojošiem šķidrumiem...).
- Nekad nelietojiet sūkni, ja pastāv sala draudi.
- Izstrādājums nav paredzēts ilgstošai lietošanai. Lūdzu, atpūtiniet to 10 minūtes pēc katras darbības stundas.

### **Ārkārtas situācija**

Iepazīstieties ar šī izstrādājuma lietošanu, izmantojot šo lietošanas instrukciju. Atcerieties drošības norādījumus un precīzi tos ievērojiet. Tas palīdzēs novērst riskus un apdraudējumus.

1. Lietojot šo produktu, vienmēr esiet modri, lai savlaicīgi varētu atpazīt un novērst riskus. Ātra iejaukšanās var novērst nopietnus ievainojumus un materiālos zaudējumus.

2. Ja rodas darbības traucējumi, atvienojiet no strāvas padeves. Pirms atkārtotas ierīces lietošanas uzticiet tās pārbaudi kvalificētam speciālistam un, ja nepieciešams, to salabojiet.

### **Atlikušie riski**

Pat tad, ja jūs lietojat šo izstrādājumu saskaņā ar visām drošības prasībām, saglabājas iespējamie traumu un bojājumu riski. Saistībā ar šī izstrādājuma konstrukciju un dizainu var rasties šādas briesmas:

1. Veselības apdraudējumi, ko izraisa vibrācijas emisija, ja izstrādājums tiek lietots ilgstoši vai netiek pienācīgi pārvaldīts un pienācīgi uzturēts.
2. Traumas un materiālie bojājumi, kas radušies no salauztiem stiprinājumiem vai pēkšņa slēptu priekšmetu trieciena lietošanas laikā.
3. Bīstamība gūt traumas un nodarīt materiālos zaudējumus, ko var radīt lidojoši priekšmeti.
4. Sprādziena risks.



**BRĪDINĀJUMS!** Šis izstrādājums darbības laikā rada elektromagnētisko lauku! Šis lauks noteiktos apstākļos var traucēt aktīviem vai pasīviem medicīniskiem implantiem! Lai samazinātu nopietnu vai letālu traumu risku, mēs iesakām personām ar medicīniskiem implantiem pirms šī izstrādājuma lietošanas konsultēties ar savu ārstu un medicīnisko implantu ražotāju!

### **Pirms darbības**

#### **Uzstādīšana**

- Nepieciešamā platība: apmēram 50 cm x 50 cm (lai pludiņa slēdzis darbotos pareizi, tam ir nepieciešama brīva kustība).
- Darbības laikā sūknim vienmēr jābūt iegremdētam ūdenī līdz 70 mm (minimālais iegremdēšanas dziļums).
- Sūkni novietojiet tā, lai iesūkšanas ieeju nenobloķētu svešķermeņi (ja nepieciešamas, novietojiet uz pamatnes).
- Nodrošiniet pietiekamu vertikālo stabilitāti.



## Brīdinājums!

Neceliet sūkni aiz kabeļa vai izvades šļūtenes, jo tās nav paredzētas nospriegojuma slodzei, ko rada sūkņa svars.

1. Sūkni iegremdējiet slīpi, lai izvairītos no gaisa spilvena veidošanās tā apakšā, jo tas traucē uzpildīšanai. Pēc sūkņa iegremdēšanas to var uzstādīt vertikāli.

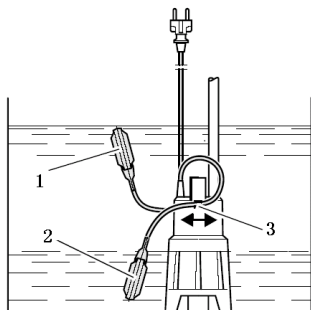
2. Sūkni nolaidiet līdz šķidruma konteinera apakšai. Sūkņa nolaišanai izmantojiet stipru virvi, kas ir nostiprināta pie kabeļa cilpas.

3. Sūkni var darbināt arī iekārtu virvē.

### Izmantošana

Ieslēgšana un izslēgšana Pēc pievienošanas elektrotīklam iegremdējamais sūknis automātiski ieslēdzas un izslēdzas ar pludiņa slēdža palīdzību:

- kad šķidrums ir pilnībā pacēlis pludiņu, sākas sūknēšana (1);
- ja pludiņa slēdzis ir nolaidies, sūknis izslēdzas (2).



Pludiņa slēdža kabeli var pārvietot kabeļa turētājā (3), lai pielāgotu attālumu starp ieslēgšanas un izslēgšanas pozīcijām:

- pludiņa slēdzis uz īsa kabeļa: ieslēgšanas un izslēgšanas pozīcijas atrodas tuvu viena otrai;
- pludiņa slēdzis uz gara kabeļa: ieslēgšanas un izslēgšanas pozīcijas ir attālu viena no otras.

Nepieļaujiet, lai sūknis darbotos ilgāk kā 10 minūtes pret aizvērtu

spiediena pusi (piemēram, aizvērtu vārstu vai aizvērtu dozatoru).



## Brīdinājums!

Plūdiņa slēdzim ir jānodrošina kustība tā, lai sūknis nevarētu darboties sauss.

### Aprūpe un apkope



#### Bīstami!

#### Pirms visiem apkopes darbiem:

- izslēdziet;
- atvienojiet strāvas vadu;
- pārliedziniet, vai ierīcē un pievienotajos piederumos nav spiediena;
- remonta un apkopes darbi, kas nav šeit aprakstīti, jāveic tikai kvalificētiem speciālistiem.

#### Regulārā apkope

Lai sūknis vienmēr darbotos nevainojami, ir nepieciešama regulāra apkope.

Tas attiecas arī uz gadījumiem, kad sūknis tiek izmantots smagos apstākļos, bet nedarbojas ilgstoši (piemēram, izmantojot aku iztukšošanai)

#### Ikgadējā apkope

- Pārbaudiet, vai sūknim un kabeļiem nav bojājumu.
- Noskalojiet sūkni ar tīru ūdeni. Uzkrājušos netīrumus, piemēram, aļģu nogulsnes, notīriet ar suku un trauku mazgāšanas šķidrumu.
- Lai izskalotu sūkņa iekšpusi, novietojiet to ar tīru ūdeni piepildītā tvertnē un uz īsu brīdi ieslēdziet.

#### Sūkņa glabāšana



## Brīdinājums!



Tā kā sūknī un piederumos vienmēr ir ūdens, sals izraisa to bojājumus!

- Sasalšanas riska gadījumā sūkni un piederumus noņemiet un glabājiet vietā, kur tie nevar sasalt.

## Tehniskās specifikācijas

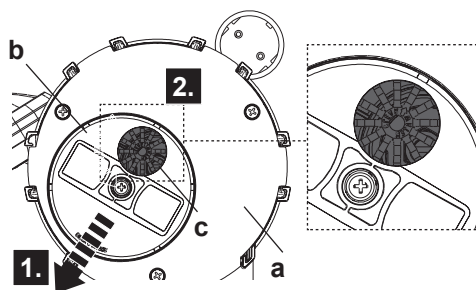
Modelis	DFM877	DFM878
Spriegums/frekvence	AC220-240 V, 50 Hz	AC220-240 V, 50 Hz
Nominālā ieejas jauda	400 W	750 W
Galva (maksimums)	7 m	9 m
Maksimālā plūsma	14 m <sup>3</sup> /h	18 m <sup>3</sup> /h
Maksimālā iegremdēšana (m)	7 m	7 m
Daļiņu maksimālais diametrs (mm)	25 mm	35 mm
Maksimālā materiāla temperatūra	35 °C	35 °C

### Funkciju pārsegs netīram/dzidram ūdenim

Pagrieziet funkciju vāciņu (b) uz vajadzīgo iestatījumu atbilstoši paredzētajam lietojumam:

#### Lietošanai tīrā ūdenī:

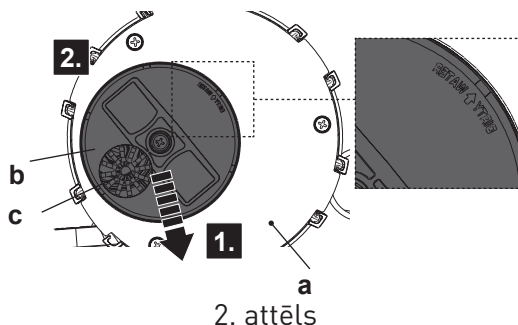
1. Paceliet funkcionālo vāciņu (b), lai tas tiktu atvienots, pēc tam pagrieziet to, lai dzidrā ūdens ieplūdes caurule (c) paliktu apakšējās plāksnes (a) centrā (1. attēls).
2. Atbrīvojiet funkcionālo vāciņu (b), lai to ieslēgtu, saskaņojot atbilstošās atzīmes. Pārliedzinieties, ka funkcionālais vāks (b) ir vienā līmenī ar apakšējo plāksni (a).



1. attēls

#### Lietošanai netīrā ūdenī:

1. Paceliet funkcionālo vāciņu (b), lai tas tiktu atvienots, pēc tam pagrieziet to par 180° (2. attēls), lai tīrā ūdens ieplūdes atvere (c) atrastos pretējā centrālajai pozīcijai (2. attēls).
2. Atbrīvojiet funkcionālo vāciņu (b), lai to ieslēgtu, saskaņojot atbilstošās atzīmes. Pārliedzinieties, ka funkcionālais vāks (b) ir vienā līmenī ar apakšējo plāksni (a).



2. attēls

## Traucējummeklēšana



**Bīstami!**

### Pirms visiem apkopes darbiem:

- izslēdziet;
- atvienojiet strāvas vadu;

Kļūmju atrašana	Iespējamais cēlonis	Risinājums
Sūknis nedarbojas	Nav strāvas padeves	Pārbaudiet ieslēgšanas/izslēgšanas slēdzi, kabelus, spraudni, kontaktligzdu un drošinātāju
	Pārāk zems elektrotīkla spriegums	Izmantojiet tikai pagarinātājkabeļus ar pietiekamu vada šķērsriezumu
	Pārkaršis motors, izslēdzies motora aizsardzības relejs	- Ievērojiet maksimālo padeves temperatūru - Nodrošiniet pietiekamu ventilāciju, gādājiet par to, lai gaisa spraugas būtu brīvas - Pēc atdzišanas sūknis atkal ieslēgsies
	Sūkni nosprostojuši svešķermeņi	Notīriet sūkni
	Pludiņa slēdzis neieslēdz sūkni	- Pārbaudiet, vai ūdens padeve ir pietiekama - Pārbaudiet, vai pludiņa slēdzis var darboties bez ierobežojumiem

Motors dūc, bet neiedarbojas	Sūkni nosprostojis svešķermenis	Notīriet sūkni
Sūknis nesūknē pareizi	Piegādes galva atrodas pārāk augstu	Ņemiet vērā piegādes galvas maksimumu
	Sapinusies izvades šļūtene	Iztaisnojiet izvades šļūteni
	Izvades šļūtenes noplūde	Noblīvējiet izvades šļūteni un pievelciet skrūvju savienojumus
Sūknis darbojas ļoti skaļi	Sūknis sūknē gaisu	<ul style="list-style-type: none"> <li>- Pārbaudiet, vai ūdens padeve ir pietiekama</li> <li>- Pareizi noregulējiet pludiņa slēdzi.</li> <li>- Iegremdējot sūkni turiet slīpi</li> </ul>
Sūknis darbojas nepārtraukti	Pludiņa slēdzis nerasniedz apakšējo pozīciju	Pārbaudiet, vai pludiņa slēdzis var darboties bez ierobežojumiem

## Remonts



### Bīstami!

Elektrisko instrumentu remontu drīkst veikt tikai kvalificēti elektriķi! Elektroinstrumentus, kuriem nepieciešams remonts, varat nosūtīt uz pilnvarotu apkopes centru savā valstī. Elektroinstrumentam pievienojiet bojājuma aprakstu.

### Vides aizsardzība

Sūkņa iepakojumu var 100% atkārtoti pārstrādāt. Nolietoti elektroinstrumenti un piederumi satur ievērojamu daudzumu vērtīgu izejmateriālu un plastmasas, ko var pārstrādāt. Šī instrukcija ir izdrukāta uz papīra, kas nesatur hloru.



Pārsvītrotas atkritumu tvertnes nozīme:  
Nelikvidējiet elektriskas ierīces kā nešķirotus sadzīves atkritumus, nogādājiet tos atsevišķās savākšanas vietās.  
Informāciju par pieejamajām savākšanas sistēmām varat noskaidrot savā pašvaldībā.

Ja elektriskas ierīces likvidē atkritumu poligonos vai izgāztuvēs, gruntsūdeņos var noplūst bīstamas vielas, un tās var nokļūt pārtikas aprīvē, pasliktinot jūsu veselību un labsajūtu.

Nomainot vecās ierīces pret jaunām, mazumtirgotājam ir juridisks pienākums vismaz bez maksas pieņemt atpakaļ jūsu veco ierīci utilizācijai.

## **Garantija**

Mēs īpaši rūpīgi izvēlamies augstas kvalitātes materiālus un izmantojam ražošanas paņēmienus, kas ļauj mums radīt izstrādājumus, kuros apvienots dizains un izturība. Šim izstrādājumam (DFM877 DFM878) ir 2 gadu ražotāja garantija pret ražošanas defektiem, sākot no iegādes datuma (ja iegādāts veikalā) vai piegādes datuma (ja iegādāts tiešsaistē), bez papildu izmaksām.

Lai iesniegtu prasību saskaņā ar šo garantiju, jums ir jāuzrāda pirkumu apliecinošs dokuments (piemēram, pirkuma kvīts, pirkuma rēķins vai cits pierādījums, kas ir pieļaujams saskaņā ar piemērojamiem tiesību aktiem); lūdzu, glabājiet pirkumu apliecinājošu dokumentu drošā vietā. Lai piemērotu šo garantiju, iegādātajam izstrādājumam jābūt jaunam, tā neattiecas uz lietotiem vai izstādītiem izstrādājumiem. Ja vien piemērojamie tiesību akti nenosaka citādi, jebkuram saskaņā ar šo garantiju izsniegtajam rezerves izstrādājumam garantija tiek piešķirta tikai līdz sākotnējā garantijas termiņa beigām.

Šī garantija attiecas uz izstrādājuma kļūmēm un darbības traucējumiem, ja izstrādājums tika izmantots tam paredzētajam mērķim un ja tas tika uzstādīts, tīrīts, kopts un uzturēts saskaņā ar šajos noteikumos un nosacījumos, lietotāja rokasgrāmatā un standarta praksē iekļauto informāciju, ja vien standarta prakse nav pretrunā ar lietotāja rokasgrāmatu.

Šī garantija neattiecas uz defektiem un bojājumiem, kas radušies normāla nolietojuma vai bojājumu rezultātā, kas varētu būt radušies nepareizas lietošanas, nepareizas uzstādīšanas vai montāžas, nolaidības, nelaiemes gadījuma, nepareizas lietošanas vai izstrādājuma pārveidošanas rezultātā. Ja vien piemērojamie tiesību akti nenosaka citādi, šī garantija nekādā gadījumā nesedz papildu izmaksas (transportēšanas, pārvietošanas, noņemšanas un atkārtotas uzstādīšanas, darbaspēka u. c. izmaksas), kā arī tiešos un netiešos zaudējumus.

Šī garantija neattiecas uz defektiem un bojājumiem, kas radušies no:

- Parasts nolietojuma;
- Pārslodzes, nepareizas lietošanas vai nolaidības;
- Remontdarbiem, ko mēģina veikt jebkura cita persona, kas nav pilnvarotais pārstāvis;

- Kosmētiskiem bojājumiem;
- Kaitējuma, ko izraisa svešķermeņi, nepiederošas vielas vai nelaimes gadījumi;
- Nejaušiem bojājumiem vai modifikācijām;
- Ražotāja norādījumu neievērošanas;
- Preču lietošanas zaudējuma.

Ja precei ir defekts, mēs saprātīgā termiņā to salabosim vai nomainīsim. Tiesības saskaņā ar šo garantiju ir īstenojamas valstī, kurā iegādājāties šo izstrādājumu. Ar garantiju saistīti jautājumi jāadresē veikalam, kurā iegādājāties šo izstrādājumu.

Garantija papildina un neietekmē jūsu likumā noteiktās tiesības.

LV

# Atbilstības deklarācija

Mēs,

**Onninen Oy**

**Adrese:** Satamakatu 3, FI-00160, Helsinki, Finland

**Tālrunis:** +358-10 53032

**Fakss:** +358-9 857 4783

**uzņemoties pilnu atbildību, apliecinām, ka ražojums**

Aprīkojums: Zemūdens sūkņis

Zīmols: OPAL

MODELS /tips: DFM877/EKS-400PD

**Atbilst**

Mašīnu direktīva (MD) 2006/42/EK,

Direktīvai 2014/30/EK par elektromagnētisko savietojamību

RoHS 2011/65/EU Annex II & (EU) 2015/863

**un šiem saskaņotajiem standartiem un tehniskajām specifikācijām:**

MD: EN 60335-1:2012+A11+A13+A1+A14+A2+A15

EN IEC 60335-2-41:2021+A11

EN 62233:2008

EN ISO 12100:2010

EMC:

EN IEC 55014-1:2021

EN IEC 55014-2:2021

EN IEC 61000-3-2:2019+A1

EN 61000-3-3:2013+A1+A2

Helsinki, Finland, October 30<sup>th</sup>, 2024

Kesko Corporation Group Companies



Ville Särkilähti - General Manager

LV

# Atbilstības deklarācija

Mēs,

**Onninen Oy**

**Adrese:** Satamakatu 3, FI-00160, Helsinki, Finland

**Tālrunis:** +358-10 53032

**Fakss:** +358-9 857 4783

**uzņemoties pilnu atbildību, apliecinām, ka ražojums**

Aprīkojums: Zemūdens sūkņis

Zīmols: OPAL

MODELS /tips: DFM878/EKS-750PD

**Atbilst**

Mašīnu direktīva (MD) 2006/42/EK,

Direktīvai 2014/30/EK par elektromagnētisko savietojamību

RoHS 2011/65/EU Annex II & (EU) 2015/863

**un šiem saskaņotajiem standartiem un tehniskajām specifikācijām:**

MD: EN 60335-1:2012+A11+A13+A1+A14+A2+A15

EN IEC 60335-2-41:2021+A11

EN 62233:2008

EN ISO 12100:2010

EMC:

EN IEC 55014-1:2021

EN IEC 55014-2:2021

EN IEC 61000-3-2:2019+A1

EN 61000-3-3:2013+A1+A2

Helsinki, Finland, October 30<sup>th</sup>, 2024

Kesko Corporation Group Companies



Ville Särkilahti - General Manager

## **Panardinamasis siurblys (LT)**

Instrukcijų vadovas

Gerbiamas pirkėjas!

Dėkojame už pasitikėjimą mūsų gaminiais!

Prieš naudodami gaminį pirmą kartą, būtinai perskaitykite šias naudojimo instrukcijas! Čia pateikta informacija apie tai, kaip saugiai naudoti gaminį ir užtikrinti ilgą jo naudojimo laiką. Būtinai laikykitės visų šiame dokumente pateikiamų saugumo nurodymų!

## **Saugos informacija**

### **Bendrieji saugos įspėjimai**

- Šio prietaiso negali naudoti vaikai. Valymo ir priežiūros negali atlikti vaikai.
- Prieš montuodami, ardydami ar valydami prietaisą visada atjunkite jį nuo elektros tinklo.
- Prietaisus gali naudoti asmenys, kurių fiziniai, jutiminiai ar protiniai gebėjimai yra riboti arba kuriems trūksta patirties ir žinių, jei jie buvo prižiūrimi arba instruktuojami, kaip saugiai naudoti prietaisą, ir jei jie supranta su tuo susijusius pavojus.
- Neleiskite vaikams žaisti su prietaisu.
- Siurbliai, ant kurių nėra nuorodos, kad jie yra apsaugoti nuo užšalimo, neturi būti paliekami lauke šaltuoju metų laiku.
- Dėmesio! Jei maitinimo laidas pažeistas, jį turi pakeisti gamintojas, jo techninės priežiūros atstovas arba panašią kvalifikaciją turintis asmenys, kad būtų išvengta pavojaus saugai.
- Susipažinkite su veikimu, reguliavimu ir

funkcijomis. Laikykitės saugos ir naudojimo instrukcijų, kad išvengtumėte galimos rizikos ir pavojaus.

- Jei perskaitę naudojimo instrukciją turite klausimų, kreipkitės į kvalifikuotą specialistą arba prekybos atstovą.
- Instrukcijos vadovą laikykite taip, kad jis būtų prieinamas visiems naudotojams. Taip pat perduokite jį, kai duodate gaminį pasinaudoti kitiems asmenims.
- Jokiu būdu nebandykite modifikuoti gaminio. Naudokite tik gamintojo rekomenduojamus priedus ir papildomas detales.
- Gaminį naudokite tik vadovaudamiesi šia naudojimo instrukcija. Netinkamas naudojimas ir neteisingas valdymas kelia pavojų žmonėms ir turtui.
- Nenaudokite gaminio, jei matoma, kad gaminys pažeistas. Prieš kiekvieną naudojimą patikrinkite maitinimo laidą, kištuką, prijungtas žarnas ir korpusą. Sugedę gaminiai turi būti taisomi arba tinkamai utilizuojami.
- Jei laidas ar gaminys yra pažeistas arba įvyko gedimas, nedelsdami atjunkite gaminį nuo maitinimo šaltinio.
- Gaminio remontą gali atlikti tik kvalifikuotas specialistas. Netinkamai atliktas remontas gali sukelti elektros smūgį arba kitus nelaimingus

atsitikimus.

- Norėdami atjungti gaminį nuo maitinimo šaltinio, traukite kištuką, o ne maitinimo laidą.
- Neleiskite maitinimo laidui kaboti, jo nesuspauskite ir nelankstykite.
- Jei reikia naudoti ilgintuvą, naudokite šio gaminio techninius reikalavimus atitinkančius ilgintuvus. Jei gaminius naudojate lauke, naudokite lauko sąlygoms pritaikytą prailgintuvą.

### **Siurblio saugos įspėjimai**

- Prietaisas turi būti sumontuotas laikantis šalyje galiojančių elektros instaliacijos reglamentų.
- Siurblys turi būti maitinamas per likutinės srovės įtaisą (RCD), kurio vardinė likutinė darbinė srovė neviršija 30 mA.
- Tinkamomis priemonėmis neleiskite vaikams pasinaudoti prietaisu.
- Nenaudokite siurblio, kai vandenyje yra žmonių.
- Nenaudokite siurblio, kai nėra ką pumpuoti.
- Įsitikinkite, kad siurbliu nebus siurbiami jūros gyvūnai (pvz., žuvis).
- Turėkite omenyje, kad siurbiamas skystis gali būti užterštas dėl tepalų nuotėkio.
- Saugokite elektros jungtis ir laidus nuo karščio, alyvos, aštrių briaunų ir drėgmės.
- Saugokite siurblij nuo šalčio ir veikimo sausa eiga.

- Venkite abrazyvinių medžiagų turinčių skysčių pumpavimo.
- Nenaudokite maitinimo laido arba plūdinio jungiklio laido gaminiui transportuoti arba tvirtinti. Prie rankenos pritvirtinkite virvę, kad galėtumėte panardinti, pakelti ar pritvirtinti prietaisą.
- Kai reikia, patikrinkite ir išvalykite siurblio vandens išleidimo ir įleidimo angas.
- Nepumpuokite skysčių su smėliu ar kitomis abrazyvinėmis medžiagomis. Dėl to padidėja dėvėjimasis ir sumažėja siurblio našumas.
- Pompas skirtas špinamam vandeniui, kurio suspenduotų priemaišų skersmuo neviršija 25 mm (DFM877), 35 mm (DFM878).
- Siurblys turi būti naudojamas ne didesnės nei 35 °C temperatūros vandeniui pumpuoti, nenaudokite gaminio kitiems skysčiams (angliavandeniliams, alyvoms, koroziją sukeliantiems skysčiams, degiems skysčiams ir kt.).
- Niekada nenaudokite siurblio, kai yra vandens užšalimo rizika.
- Gaminys nėra skirtas nuolatiniam naudojimui. Po kiekvienos 1 valandos veikimo, 10-čiai minučių išjunkite siurblį.

### **Skubūs atvejai**

Susipažinkite su šio gaminio naudojimu vadovaudamiesi šia naudojimo instrukcija. Įsiminkite saugos nurodymus ir tiksliai jų laikykitės. Tai padės

išvengti rizikos ir pavojų.

1. Visada būkite budrūs naudodami šį gaminį, kad galėtumėte laiku atpažinti ir pašalinti riziką. Greita reakcija gali padėti išvengti rimtų sužalojimų ir žalos turtui.

2. Esant veikimo sutrikimams, atjunkite siurblių nuo maitinimo šaltinio. Prieš vėl pradėdami naudoti gaminį, leiskite jį patikrinti kvalifikuotam specialistui ir, jei reikia, pataisyti.

### **Liekamosios rizikos**

Net jei šį gaminį naudojate laikydamiesi visų saugos reikalavimų, išlieka galimas pavojus susižeisti ir sugadinti gaminį. Dėl šio gaminio konstrukcijos ir dizaino gali kilti šie pavojai:

1. sveikatos sutrikimai, atsirandantys dėl skleidžiamos vibracijos, jei gaminys naudojamas ilgą laiką arba nėra tinkamai valdomas ir prižiūrimas;
2. sužalojimai ir materialinė žala dėl sulūžusių papildomų detalių arba staigaus paslėptų daiktų smūgio naudojimo metu;
3. pavojus susižeisti ir sugadinti turtą dėl skraidančių objektų;
4. sprogo rizika.



**ĮSPĖJIMAS!** Šis gaminys veikimo metu sukuria elektromagnetinį lauką! Šis laukas tam tikromis aplinkybėmis gali sutrikdyti aktyvias arba pasyvias medicinos priemones! Siekiant sumažinti sunkių ar mirtinų sužalojimų riziką, rekomenduojame asmenims, turintiems medicininių priemonių, prieš naudojant šį gaminį pasikonsultuoti su gydytoju ir medicinos priemonių gamintoju!

### **Prieš naudojant**

#### **Montavimas**

- Reikalinga erdvė yra apie 50 cm x 50 cm (kad plūdinis jungiklis veiktų tinkamai, jis turi laisvai judėti).
- Veikiantis siurblys visada turi būti paniręs į vandenį bent 70 mm gylyje.
- Siurblio padėtis turi būti tokia, kad siurbimo įvado negalėtų užblokuoti pašaliniai objektai (jeigu reikia, pastatykite jį ant pagrindo).
- Pasirūpinkite, kad siurblys stovėtų stabiliai.



## Atsargiai!

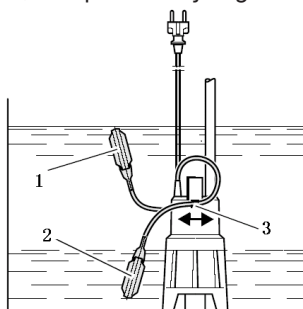
Nekelkite siurblio už kabelio ar išleidimo žarnos - nė vienas iš jų nėra sukurtas atlaikyti siurblio svoriui.

1. Siurblių panardinkite pasvirą, kad po dugnu nesusikaupytų oro; tai gali kliudyti gruntavimui. Kai tik siurblys panardinamas po vandeniu, jį galima pakreipti vertikaliai.
2. Nuleiskite siurblių ant skysčio talpyklos dugno. Siurbliui nuleisti naudokite tvirtą virvę, pritvirtintą prie kabelio ąsos.
3. Virve siurblių galima valdyti ir tada, kai jis sustabdytas.

### **Eksploatavimas**

Perjungimas į padėtis ON (įjungta) ir OFF (išjungta) prijungus į tinklą: siurblys automatiškai perjungiamas į padėtis ON ir OFF plūdinio jungikliu

- Pumpuoti pradedama, kai skystis iki galo pakelia plūdinį jungiklį (1).
- Siurblys išsijungia (OFF), kai plūdinis jungiklis nusileidžia (2).



Kad būtų sureguliuotas atstumas tarp jungimo padėčių ON ir OFF, plūdinio jungiklio laidą galima perkelti į laido laikiklį (3):

- Plūdinis jungiklis su trumpu laidu: ON ir OFF padėtys yra arti viena kitos.
  - Plūdinis jungiklis su ilgu laidu: ON ir OFF padėtys yra toli viena nuo kitos.
- Siurblys neturi veikti ilgiau negu 10 minučių, kai uždarytas slėginis įtaisas (pvz., uždarytas vožtuvas ar dalytuvas ir pan.)



Atsargiai!

Plūdinis jungiklis turi judėti taip, kad siurblys negalėtų veikti sausąja eiga.

### Priežiūra



**Pavojus!**

### Prieš techninės priežiūros darbus

- Jei norite įrankį išjungti:
- Išjunkite tinklo kabelį.
- Pasirūpinkite, kad iš prietaiso ir prijungtų priedų būtų pašalintas slėgis.
- Kitus, čia neaprašytus, techninės priežiūros darbus turi atlikti tik kvalifikuoti specialistai.

### Periodinė techninė priežiūra

Kad siurblys kuo geriau veiktų bet kuriuo metu, reikalinga periodinė techninė priežiūra.

Tai taip pat taikoma, jeigu siurblys naudojamas sunkiomis sąlygomis, bet ilgesnį laiko tarpą nenaudojamas (pvz., kai veikia gręžinio drenaže).

### Metinė techninė priežiūra

- Patikrinkite, ar nepakenktas siurblio gaubtas ir kabeliai.
- Perskalaukite siurblių švairiu vandeniu. Likusius nešvarumus, pvz., dumblių likučius, nušveiskite šepetėliu naudodami indų ploviklį.
- Jei norite išskalauti siurblio vidų, padėkite jį į talpyklą su švairiu vandeniu ir trumpam įjunkite į padėtį ON.

### Siurblio laikymas



Atsargiai!



Siurbliui ir jo priedams kenkia šaltis, nes juose visada yra vandens!

- Jeigu kyla užšalimo pavojus, ištraukite siurblių ir jo priedus ir padėkite nuo šalčio apsaugotoje vietoje.

## Techninės specifikacijos

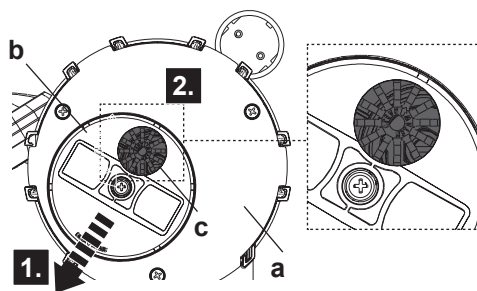
Modelis	DFM877	DFM878
Įtampa, dažnis	AC220-240 V, 50 Hz	AC220-240 V, 50 Hz
Vardinė įvesties galia	400 W	750 W
Maks. atstumas	7 m	9 m
Maks. srautas	14 m <sup>3</sup> /h	18 m <sup>3</sup> /h
Maks. panardinimas (m)	7 m	7 m
Maks. dalelių skersmuo (mm)	25 mm	35 mm
Maks. terpės temperatūra	35 °C	35 °C

### Funkcijų dangtelis nešvariam ir (arba) švariam vandeniui

Pasukite funkcijų dangtelį (b) į pageidaujamą nustatymą pagal numatytą paskirtį:

#### Švariam vandeniui:

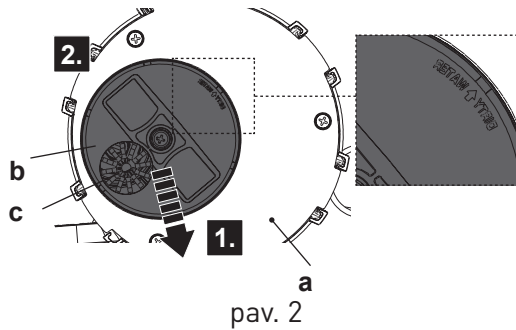
1. pakelkite funkcinį dangtelį (b), kad jis atsidarytų, tada jį pasukite, kad švaraus vandens įvadas (c) liktų dugno plokštės (a) centre (1 pav.).
2. Atleiskite funkcinį dangtelį (b), kad jį užfiksuotumėte sulygiuodami atitinkamas žymes. Įsitinkinkite, kad funkcinis dangtelis (b) yra viename lygyje su apatine plokšte (a).



pav. 1

#### Nešvariam vandeniui:

1. pakelkite funkcinį dangtelį (b), kad jis būtų atjungtas, tada pasukite jį 180° kampu (2 pav.), kad švaraus vandens įsiurbimo angos (c) liktų priešingoje padėtyje nei centre (2 pav.).
2. Atleiskite funkcinį dangtelį (b), kad jį užfiksuotumėte sulygiuodami atitinkamas žymes. Įsitinkinkite, kad funkcinis dangtelis (b) yra viename lygyje su apatine plokšte (a).



pav. 2

## Gedimų paieška ir šalinimas



**Pavojus!**

### Prieš techninės priežiūros darbus

- Jei norite įrankį išjungti:
- Išjunkite tinklo kabelį.

Gedimo paieška	Galima priežastis	Kaip gedimą pašalinti
Siurblys neveikia	Tinkle nėra įtampos	Patikrinkite jungiklį ON/OFF, laidus, kištuką, lizdą ir tinklo saugiklį
	Tinkle per žema įtampa	Naudokite tik tokius ilgintuvus, kurių pakankamas plieno skerspjuvis
	Perkalto variklis, suveikė variklio apsaugos relė	- Paisykite maksimalios temperatūros - Užtikrinkite pakankamą vėdinimą, oro angos turi būti laisvos - Atvėsus siurblys vėl įsijungs
	Siurblys užblokuotas pašaliniais objektais	Nuvalykite siurblij
	Plūdinis jungiklis neįjungia siurblio į padėtį ON	- Įsitikinkite, kad yra pakankamas vandens tiekimas - Pasirūpinkite, kad plūdinis jungiklis galėtų nekludomas judėti

Variklis burzgia, bet jo negalima paleisti	Siurblys užblokuotas pašaliniu objektu	Nuvalykite siurblių
Siurblys tinkamai nepumpuoja	Per aukštas tiekimo atstumas	Paisykite maks. tiekimo atstumo aukščio
	Sulinkusi išleidimo žarna	Ištiesinkite išleidimo žarną
	Išleidimo žarnoje yra nuotėkis	Užsandarinkite išleidimo žarną ir užveržkite sraigtnes detales
Siurblys veikia labai triukšmingai	Po siurbliu yra oro	- Įsitikinkite, kad yra pakankamas vandens tiekimas - Tinkamai sureguliuokite plūdinį jungiklį - Panardindami laikykite siurblių pasvirą
Siurblys veikia nepertraukiamai	Plūdinis jungiklis nepasiekia apatinės padėties	Pasirūpinkite, kad plūdinis jungiklis galėtų nekliudomas judėti

## Taisymas



### Pavojus!

Elektrinius prietaisus taisyti privalo tik kvalifikuotas elektrikas! Taisytinus elektros prietaisus galima nusiųsti į patvirtintą šalies techninės priežiūros centrą. Prašom prie elektros prietaiso pridėti gedimo aprašymą.

### Aplinkos apsauga

Siurblio pakuotė yra 100 % perdirbama. Susidėvėjusiuose elektros prietaisuose ir prieduose yra nemažai vertingų žaliavų ir plastiko, kuriuos galima perdirbti. Instrukcijos išspausdintos ant popieriaus, kuris nebuvo balintas chloru.



Perbrauktos šiukšliadėžės su ratukais reikšmė: elektriniai prietaisai negali būti utilizuojami kaip nerūšiuotos komunalinės atliekos. Juos reikia nugabenti į atskirą surinkimo punktą. Kreipkitės į vietos valdžios institucijas, kad gautumėte informacijos apie

galimus atliekų surinkimo punktus.

Jei elektros prietaisai yra išmetami į sąvartynus ar šiukšlynus, pavojingos medžiagos gali patekti į požeminį vandenį ir pakliūti į maisto grandinę, taip pakenkdamos jūsų sveikatai ir gerovei.

Keičiant senus prietaisus naujais, mažmenininkas yra teisiškai įgaliotas bent jau nemokamai priimti jūsų seną prietaisą utilizavimui.

## **GARANTIJA**

Ypač kruopščiai renkamės aukštos kokybės medžiagas ir naudojame gamybos būdus, kurie suteikia mums galimybę kurti gaminius, pasižyminčius dizainu ir ilgaamžiškumu. Šiam gaminiui (DFM877 DFM878) gamintojas suteikia 2 metų garantiją nuo įsigijimo (jei pirktas parduotuvėje) arba pristatymo (jei pirktas internetu) dienos be jokių papildomų išlaidų. Norėdami pareikšti pretenziją pagal šią garantiją, turite pateikti įsigijimo įrodymą (pvz., pirkimo kvitą, pirkimo sąskaitą faktūrą arba kitą pagal galiojančius įstatymus priimtina įrodymą). Kad ši garantija būtų taikoma, įsigytas gaminytis turi būti naujas, ji netaikoma naudotiems ar gaminiams, kurie buvo eksponuojami. Jei galiojančiuose teisės aktuose nenumatyta kitaip, bet kokiam pagal šią garantiją išduotam pakaitiniam gaminiui garantija suteikiama tik iki pirminės garantijos laikotarpio pabaigos. Ši garantija apima gaminio gedimus ir sutrikimus, jei gaminytis buvo naudojamas pagal paskirtį ir buvo montuojamas, valomas, prižiūrimas ir remontuojamas laikantis šiose sąlygose, naudotojo vadove pateiktos informacijos bei taikant standartinę naudojimo praktiką, jei standartinė praktika neprieštarauja naudotojo vadovui.

Ši garantija neapima defektų ir pažeidimų, atsiradusių dėl įprasto nusidėvėjimo ar pažeidimų, kurie gali atsirasti dėl netinkamo naudojimo, netinkamo montavimo ar surinkimo, aplaidumo, nelaimingo atsitikimo, neteisingo naudojimo ar gaminio modifikavimo. Jei galiojančiuose teisės aktuose nenumatyta kitaip, ši garantija jokia būdu neapima papildomų išlaidų (siuntimo, pervežimo, išmontavimo ir pakartotinio sumontavimo, darbo ir kt.), taip pat tiesioginės ir netiesioginės žalos.

Ši garantija netaikoma defektams ir žalai, atsiradusiems dėl:

- Įprasto nusidėvėjimo;
- Perkrovos, netinkamo naudojimo arba aplaidumo;
- Remonto, kurį atliko ne įgaliotasis atstovas;
- Kosmetinė žalos;
- Žalos sukeltos pašalinių objektų, medžiagų arba nelaimingų atsitikimų;
- Atsitiktinio sugadinimo arba modifikavimo;
- Gamintojo nurodymų nesilaikymo;

- Nebegalėjimo naudotis prekėmis.

Jei gaminys yra sugedęs, per pagrįstą laiką jį pataisysime arba pakeisime. Teisės pagal šią garantiją įgyvendinamos toje šalyje, kurioje įsigijote šį gaminį. Su garantija susijusias užklausas reikėtų adresuoti parduotuvei, kurioje įsigijote šį gaminį.

Garantija papildo jūsų įstatymuose numatytas teises ir jų nepažeidžia.

LT

# ES atitikties deklaracija

Mes,

**Onninen Oy**

**Adresas:** Satamakatu 3, FI-00160, Helsinki, Finland

**Telefonas:** +358-10 53032

**Faksas:** +358-9 857 4783

**atsakingai pareiškiame, kad toliau nurodytas gaminys**

Įranga: Panardinamasis siurblys

Markės pavadinimas OPAL

Modelis / tipas: DFM877/EKS-400PD

**Atitinka**

Mašinų direktyva (MD) 2006/42/EB,

Elektromagnetinio suderinamumo direktyvą (EMC) 2014/30/EB

RoHS 2011/65/EU Annex II & (EU) 2015/863

**bei toliau nurodytus darniuosius standartus ir technines specifikacijas:**

MD: EN 60335-1:2012+A11+A13+A1+A14+A2+A15

EN IEC 60335-2-41:2021+A11

EN 62233:2008

EN ISO 12100:2010

EMC:

EN IEC 55014-1:2021

EN IEC 55014-2:2021

EN IEC 61000-3-2:2019+A1

EN 61000-3-3:2013+A1+A2

Helsinki, Finland, October 30<sup>th</sup>, 2024

Kesko Corporation Group Companies



Ville Särkilahti - General Manager

LT

# ES atitikties deklaracija

Mes,

**Onninen Oy**

**Adresas:** Satamakatu 3, FI-00160, Helsinki, Finland

**Telefonas:** +358-10 53032

**Faksas:** +358-9 857 4783

**atsakingai pareiškiame, kad toliau nurodytas gaminys**

Įranga: Panardinamasis siurblys

Markės pavadinimas OPAL

Modelis / tipas: DFM878/EKS-750PD

**Atitinka**

Mašinų direktyva (MD) 2006/42/EB,

Elektromagnetinio suderinamumo direktyvą (EMC) 2014/30/EB

RoHS 2011/65/EU Annex II & (EU) 2015/863

**bei toliau nurodytus darniuosius standartus ir technines specifikacijas:**

MD: EN 60335-1:2012+A11+A13+A1+A14+A2+A15

EN IEC 60335-2-41:2021+A11

EN 62233:2008

EN ISO 12100:2010

EMC:

EN IEC 55014-1:2021

EN IEC 55014-2:2021

EN IEC 61000-3-2:2019+A1

EN 61000-3-3:2013+A1+A2

Helsinki, Finland, October 30<sup>th</sup>, 2024

Kesko Corporation Group Companies



Ville Särkilahti - General Manager

Manual instructions material /  
Ohjekirjan materiaali /  
Instruktionsmaterial /  
Håndbok instruksjonsmateriale /  
Juhendmaterjal /  
Lietošanas norādījumi /  
Naudojimo vadovo medžiaga



Manufactured for • Valmistuttaja • Tillverkad för • Produsert for • Toodetud  
• Ražošanas pasūtītājs • Kieno užsakymu pagaminta • Wyprodukowano dla  
• Onninen Oy, Työpajankatu 12, FI- 00580 Helsinki. Made in China.