



HOME thermostat set

RTW-RA, RLV-S & RA-FN

User Guide

What is a thermostatic radiator valve (TRV)?

TRVs sense the air temperature around them and regulate the flow of water through the radiator which they are fitted to.

They should be set at a level that gives you the room temperature you want. These settings may have to be different in each room, and you should set the TRVs to suit each room and then leave them to do their job. As guide to the temperatures is shown on the right.

Turning a TRV to a higher setting will not make the room heat up any faster. How quickly the room heats up depends on the boiler size and setting, and the radiator size. Turning a TRV to a lower setting will result in the room being controlled at a lower temperature, and saves energy.

Set and Forget

The thermostat maintains a constant temperature in your room, set your preferred room temperature according to the thermometer below and that's it. The thermostat will open and close depending on the heat demand thereby utilizing the free heat from sunlight, appliances and people.

Additional heat saves energy

Sunlight, kitchen appliances and electric light give off additional heat. The thermostat registers such additional heat by automatically closing down. When there no longer is enough additional heat available, the thermostat automatically opens again.

Please do not cover the thermostat!

The thermostat must be able to register the temperature of the room. If it is covered by e.g. thick curtains or furniture, use a thermostat with remote sensor.

* Frost Protection

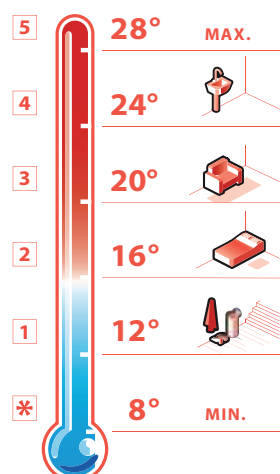
If you leave your home for a longer period of time, you can safely turn the thermostat to *. At this setting, the temperature will keep the room temperature at about 7-8 °C.

Night Setback

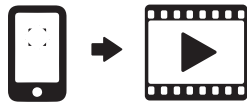
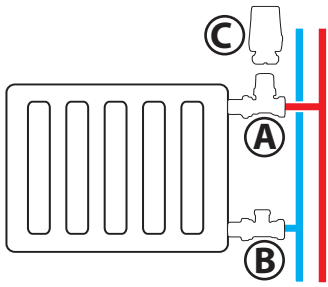
To save energy, simply lower the room temperature at night or at times when nobody is at home.

Cleaning

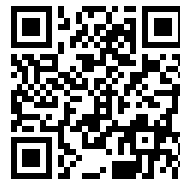
The radiator thermostat can be cleaned with mild detergents such as dish washing liquid. Do not use scourers, alcohol, solvents or bleaching agents as they can damage the radiator thermostat.



Installation Guide

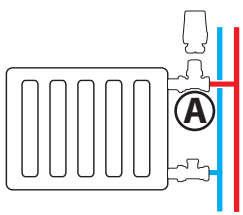


Easy Installation
Scan for video guide

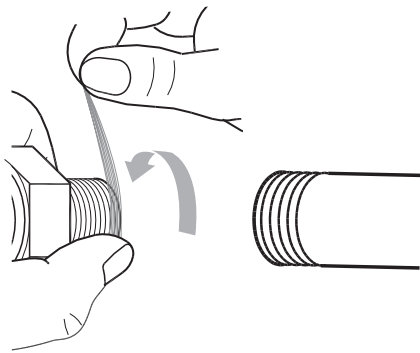


Fitting valve:

(Straight or Angled) Radiators with side connection.

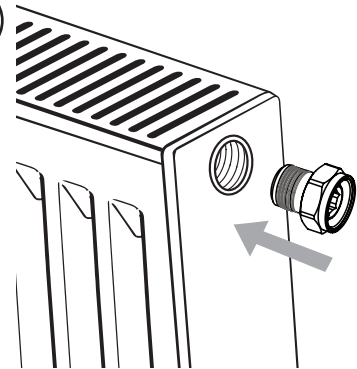


1



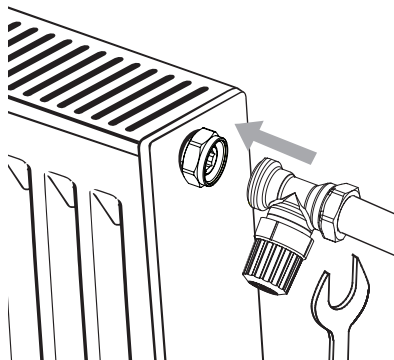
Separate the valve and the tail piece.
Apply the PTFE tape to the valve and pipe

2



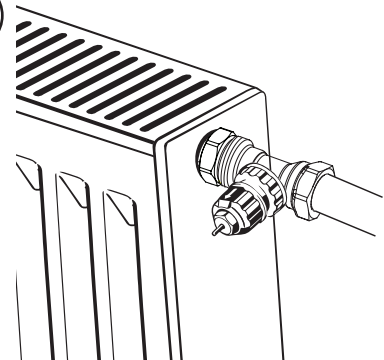
Fit the tail piece to the radiator and tighten with a 10mm Allen key

3



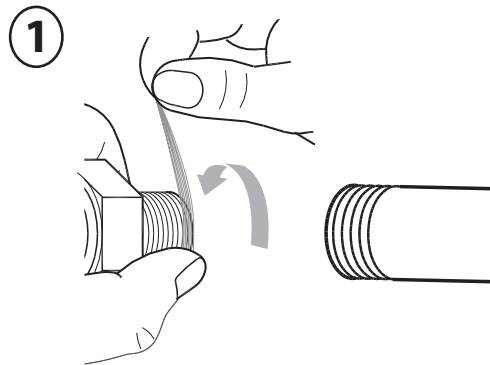
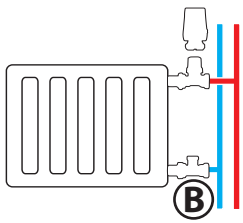
Fit the valve to the pipe; tighten the union nut with a spanner.
Now, fit the valve to the tail piece and tighten the union nuts.

4

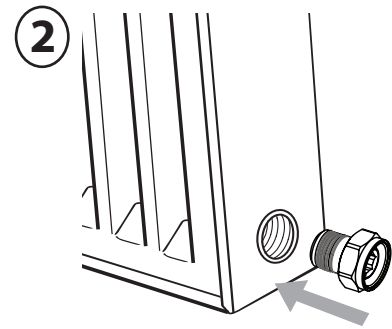


Fit the valve position as shown, ready to mount the sensor.

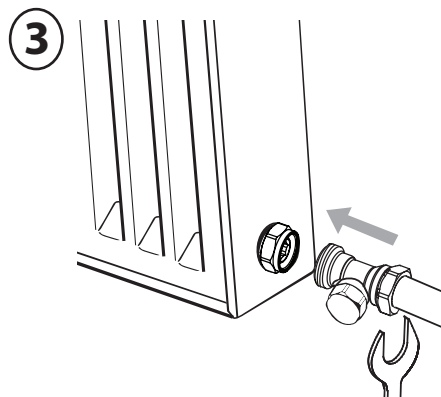
Fitting the lock shield (Straight or Angled)



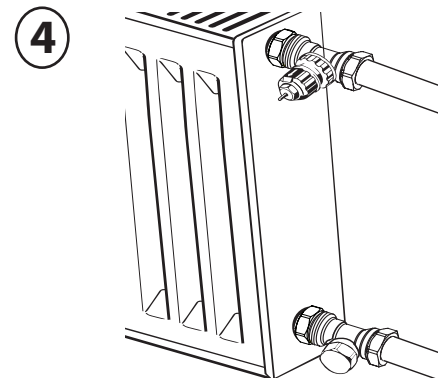
1 Separate the lock shield and the tail piece. Apply the PTFE tape to the lock shield and pipe



2 Fit the tail piece to the radiator and tighten with a 10mm Allen key

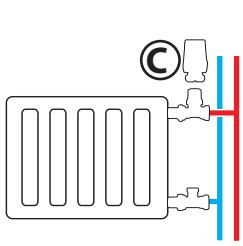


3 Fit the lock shield to the pipe; tighten the union nut with a spanner. Next, fit the lock shield to the tail piece and tighten the union nuts.

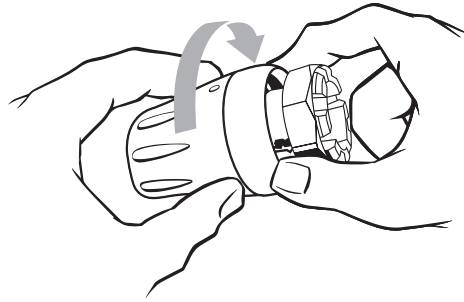


4 Once installed take off the lock shield cover. Ensure the RLV is open using a 8mm Allen key, then put the cover back on.

Fitting the radiator thermostat (TRV)

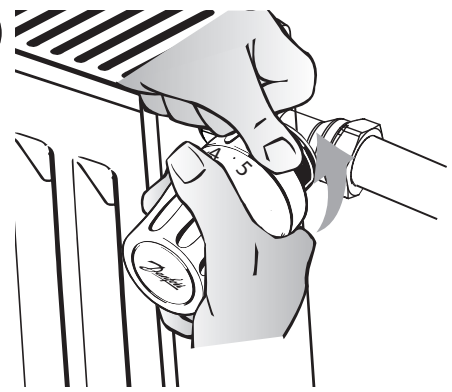


1



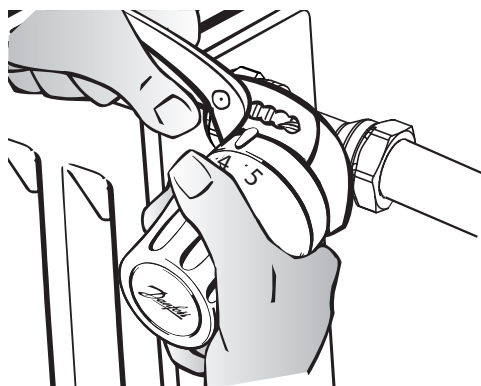
Remove cap from valve and turn sensor to 5. Make sure union nut is turned loosely up towards the sensor body until it is only slightly free of the lower part of the sensor body.

2



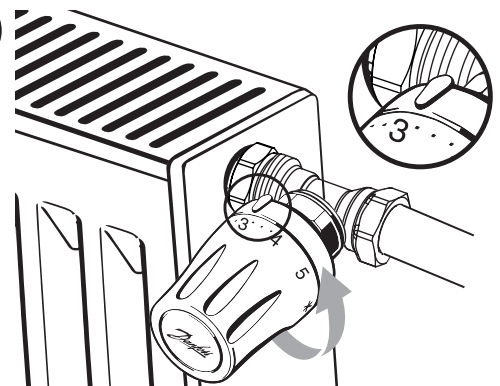
Press the sensor firmly onto the valve, ensuring that the scale pointer is at top.

3



Whilst holding the sensor firmly on the valve secure connection by turning the union nut clockwise by hand. Whilst still holding the sensor firmly on the valve fully tighten the metal union.

4



Set desired room temperature.

Removing the Sensor:

Turn the sensor to max. position 5. Turn union nut anti-clockwise to release locking mechanism.

HOME thermostat sets:

Radiator Sensor (TRV)	Lock Shield	Valve	Product Code	Pipe size	Building Regulation
RTW- RA	RLV-S Angle	RA-FN Angle	013G6506	3/8" (DN 10)	DE Building Regulation
			013G5607	3/8" (DN 10)	FR Building Regulation
			013G6508	1/2" (DN 15)	DE Building Regulation
			013G6509	1/2" (DN 15)	FR Building Regulation
			013G6514	3/8" (DN 10)	SE Building Regulation
			013G6515	1/2" (DN 15)	SE Building Regulation
	RLV-S Straight	RA-FN Straight	013G6510	3/8" (DN 10)	DE Building Regulation
			013G6511	3/8" (DN 10)	FR Building Regulation
			013G6512	1/2" (DN 15)	DE Building Regulation
			013G6513	1/2" (DN 15)	FR Building Regulation
			013G6516	3/8" (DN 10)	SE Building Regulation
			013G6517	1/2" (DN 15)	SE Building Regulation

Danfoss A/S
Haarupvaenget 11
DK-8600 Silkeborg
Denmark

homeretail.danfoss.com

Danfoss can accept no responsibility for possible errors in catalogues, brochures and other printed material. Danfoss reserves the right to alter its products without notice. This also applies to products already on order provided that such alterations can be made without consequential changes being necessary in specifications already agreed. All trademarks in this material are property of the respective companies. Danfoss and the Danfoss logotype are trademarks of Danfoss A/S. All rights reserved.