

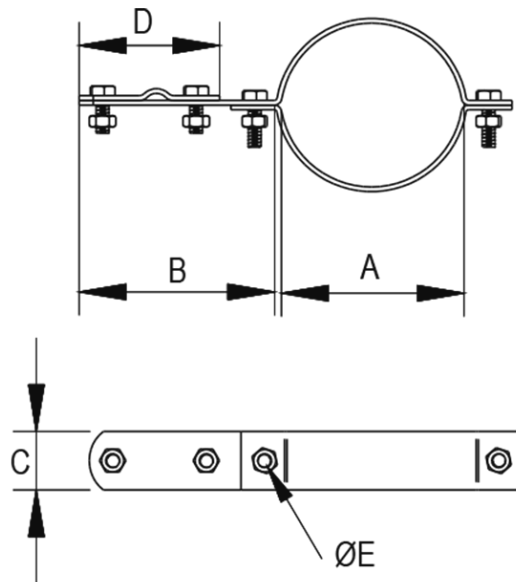
Drainage pipe holder

Cat. no.
96411005

Type
64.10/S

Material
(StSt V2A) stainless steel
V2A

Used to fix the wire conductor to a drain pipe.
Appropriate for wire conductor with diameter
8-10 mm. Holders appropriate for different
pipe diameters available on request.



TYP	A	B	C	E	D
64.10/S	100	80	26	7	60