

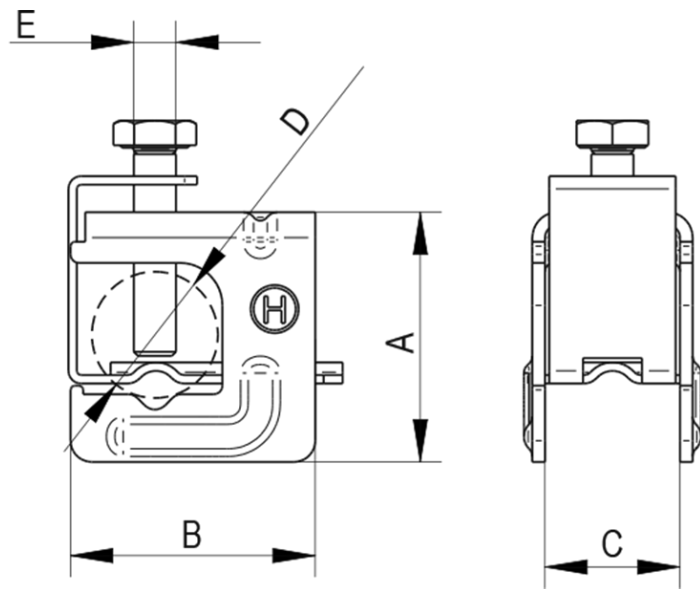
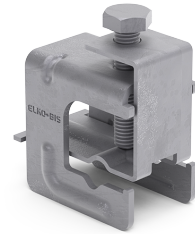
Rebar and earthing foundation clamp

Cat. no.
11700202

To connect tape conductors with reinforcing bars at foundation earthing and in reinforced concrete columns. Black steel or hot-dip galvanized options.

Type
117.2

Material
(St/tZn) hot galvanized steel



TYP	A	B	C	D	E	TAPE CONDUCTOR	NOTES
117.2	59	58	32	Ø28	M10×50	MAX 30×4	with holdfast plate

