



Installation instructions



Congratulations on your new Yale Doorman L3 smart lock!

Please read these instructions with care to ensure the easy and correct installation and operation of the product. In this manual, we will explain how to safely install the product on your door.

The Yale Doorman L3 smart lock can be used with the Yale Home mobile app or without the app by using the lock's keypad and other buttons. Instructions for both use cases are included in a later section of the manual.

For remote management and connecting your lock to various smart home and voice control systems, you can purchase the Yale Connect Wi-Fi Bridge accessory for your Yale Doorman L3 smart lock.

Proceed to the next page to start exploring the product and preparing for its installation by checking that the installation location requirements are met.

Hereby ABLOY OY declares that the radio equipment type Yale Doorman L3, F4, Smart Lock is in compliance with Directive 2014/53/EU. The full text of the EU declaration of conformity is available at the following internet address: abloy.fi/doc

RFID
Max radio power: -34.93 dB μ A/m
Frequency: 13.56 MHz

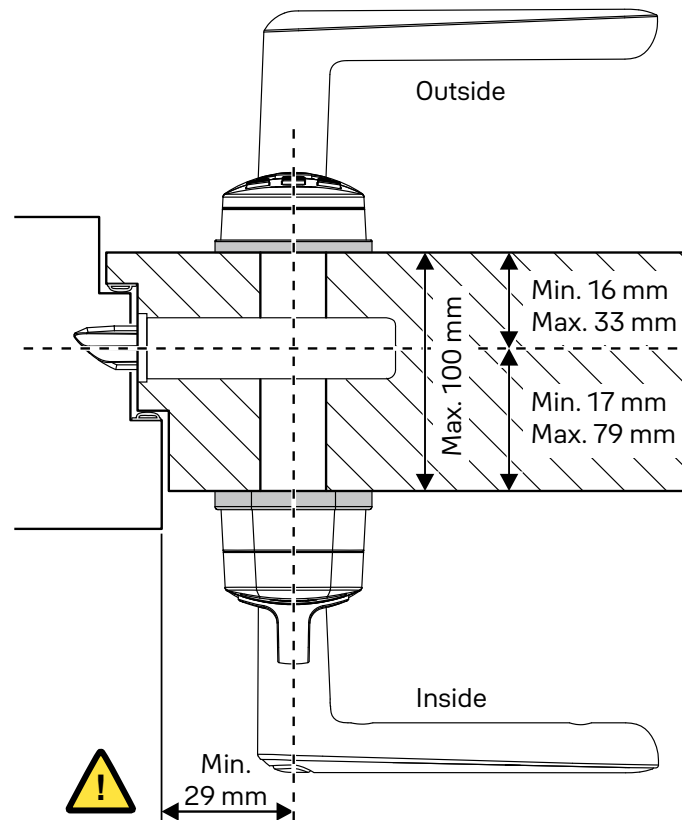
BLE
Max radio power: -1.30 dB μ A/m
Frequency: 2412 – 2462 MHz



Yale Home

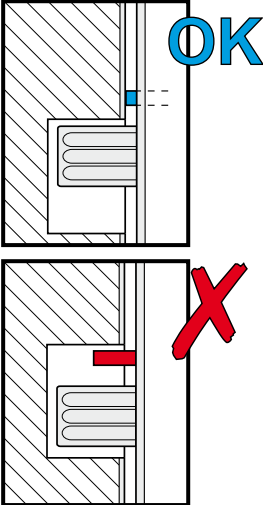
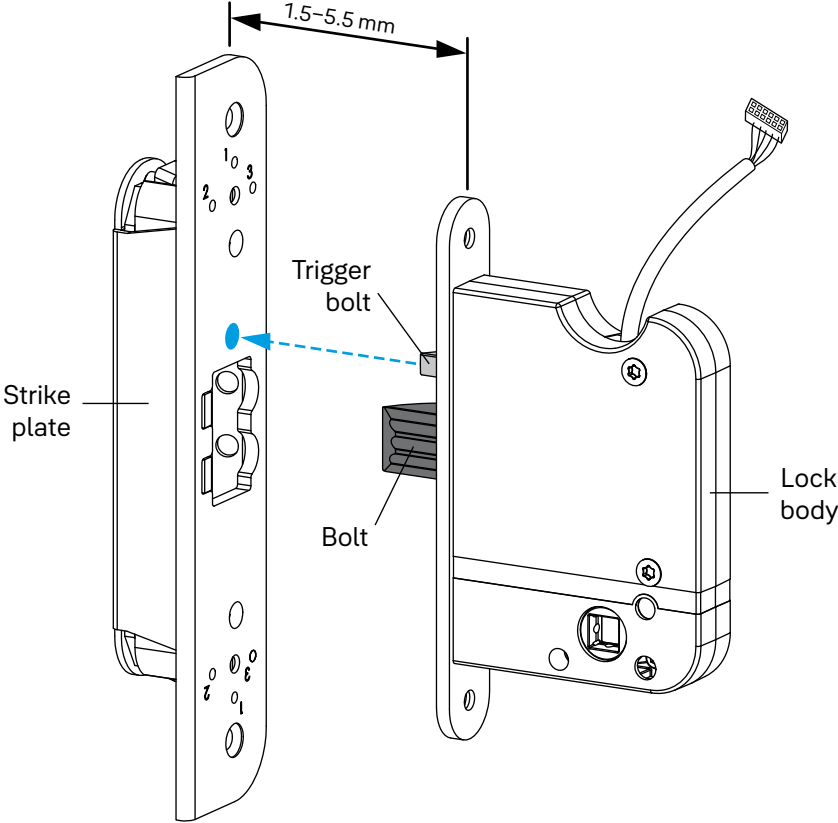
INSTALLATION LOCATION REQUIREMENTS

- The BL907 lock body included in the package can replace the following lock bodies: ABLOY 4190, LC100, LC102, and LC190. If you are installing the lock on a fire door, you must consult the door's manufacturer to verify that the door's fire rating is retained with the Yale Doorman L3 smart lock. In this case, the lock must be installed with the separate fire door kit.
- Check that there is sufficient space available on the inside of the door. The recommended minimum distance between the door frame and the centre of the current handle is 29 mm. The lock may impact the door frame when the door is used if the distance is less than 29 mm.
- Note the operating temperature: +5...+50 °C on the inside (dry) and -25...+70 °C on the outside.

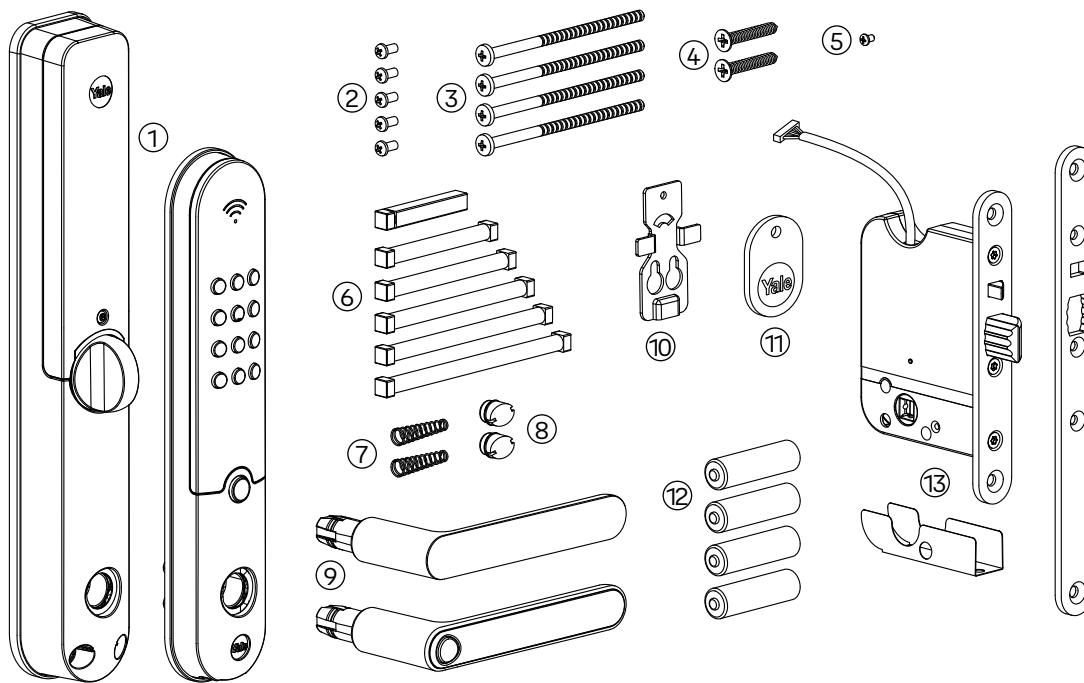


INSTALLATION LOCATION REQUIREMENTS

- The distance between the door and the strike plate must be between 1.5 and 5.5 mm. If the gap is wider than 5.5 mm, the lock may not work reliably. Adjust the door or the strike plate to reduce the gap, if necessary.
- The trigger bolt must not slip into the strike plate's opening. Replace or adjust the strike plate, if necessary.



PACKAGE CONTENTS



- Tools required for installation:
- PH2 crosshead screwdriver
 - T20 Torx screwdriver
 - Hex key
 - Measuring tape
 - Bolt cutter or hacksaw
 - **DO NOT USE POWER TOOLS WITH INSTALLATION!**

① Outside and inside units ② 5 M4×8 screws ③ 4 snap-off screws ④ 2 wood screw 4x25 ⑤ 1 small screw ⑥ 6 pins ⑦ 2 springs ⑧ 22 rubber plugs ⑨ 2 handles ⑩ 1 support plate ⑪ 1 Desfire-access control tag ⑫ 4 AA batteries (replace after four months from date of installation) ⑬ 1 lock body

BEFORE YOU CONTINUE

We recommend that you connect your Yale Doorman L3 smart lock to our free Yale Home mobile app. The app is an easy way to manage your lock and offers many useful features, such as locking delay adjustment, automatic opening, and remote control*. The app also includes the product's installation instructions in video format. The app is free to use.

How to use your lock with the Yale Home app:

- ① Take a moment before you install your lock!
- ② Download the free Yale Home mobile app from your phone's app store.
- ③ Open the app and create an account to log in.
- ④ Connect the lock to the app by opening the app menu and selecting "add new device".
- ⑤ Follow the in-app instructions. You can now view videos on your phone for clear instructions on how to install and start using your lock.

If you would prefer to use your smart lock without the Yale Home app, skip to page 8 for smart lock installation instructions.

* The Yale Connect Wi-Fi Bridge accessory is required for remote lock control.



Yale Home

PREPARE THE INSTALLATION

Note the model and handing of your door's current lock body. Compare the bolts and latches of your current lock body to those of the BL907 and change its handing, if necessary. Replace the face plate with the Onefit model, if necessary.

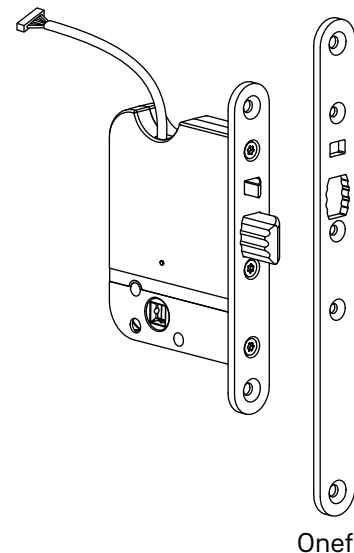
Old lock body

ABLOY 4190 or **LC100**: use the short face plate.

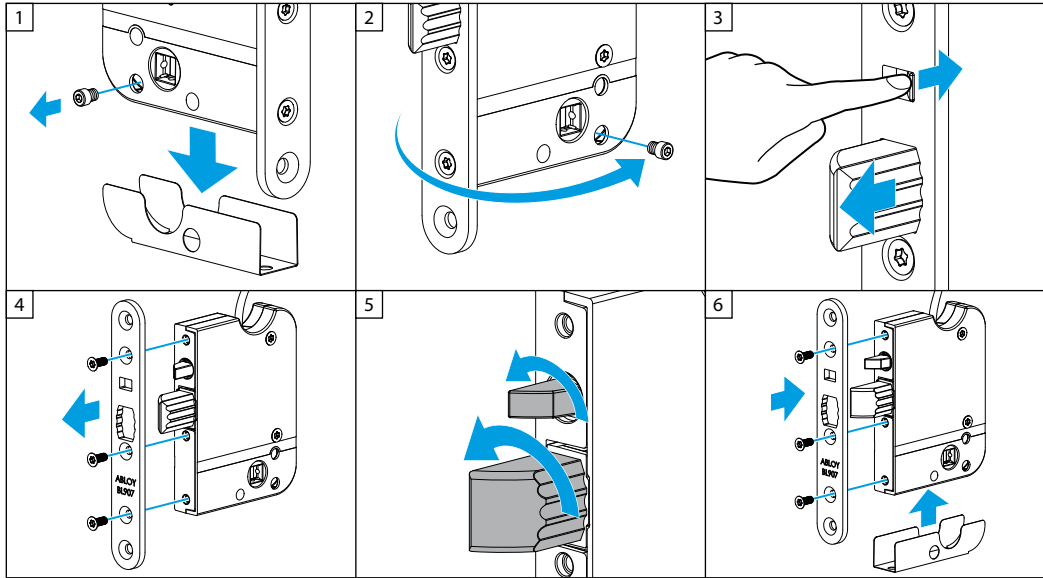
ABLOY LC190 or **LC102**: use the long Onefit face plate.

Avoid overtightening the screws – excessive force may damage the lock body's screw threads!

If the old lock body is not listed above, the door may need to be modified and the installation will therefore differ from these instructions. In this case, we recommend that you use your local Abloy-authorized Yale Partner for installation. Visit yale.fi to find your nearest local partners.

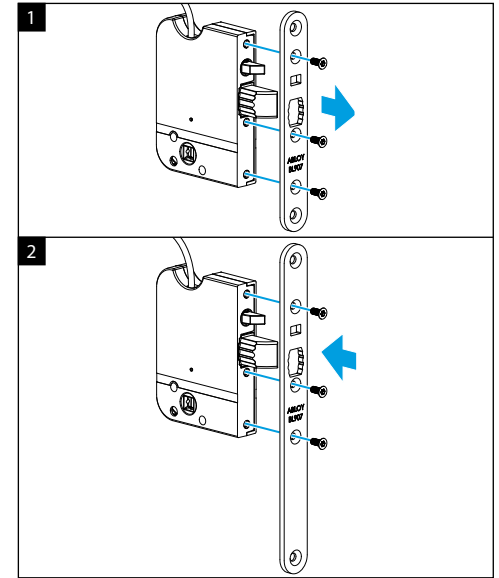


CHANGING THE HANDING OF THE LOCK BODY



Side selection: Remove the anti-drill shield. Remove the side selection screw and reinstall it on the inside (Figures 1 and 2). The screw-side handle is always operated mechanically. Avoid overtightening the screw!

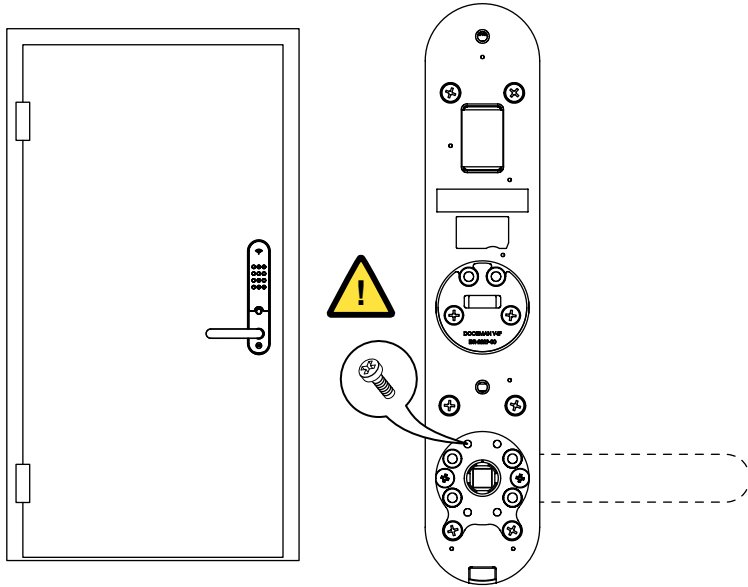
CHANGING THE FACE PLATE



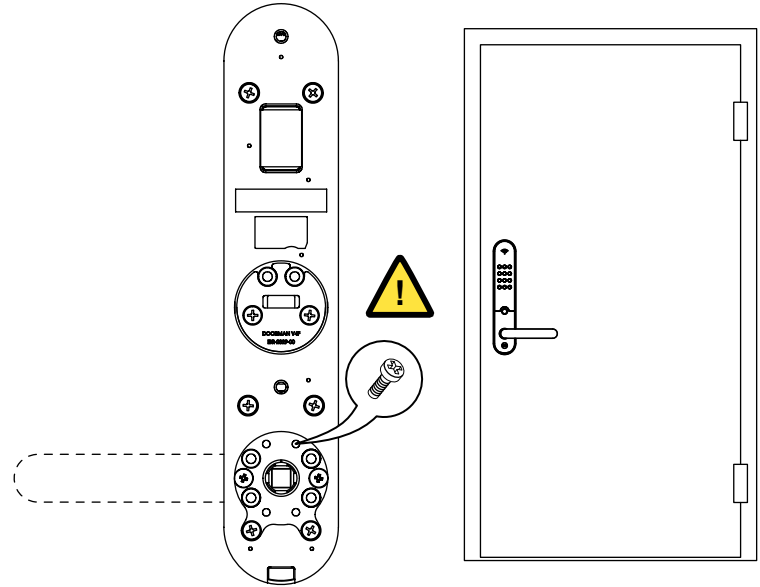
Change the face plate, if necessary.

PREPARE THE INSTALLATION

Left-handed installation



Right-handed installation

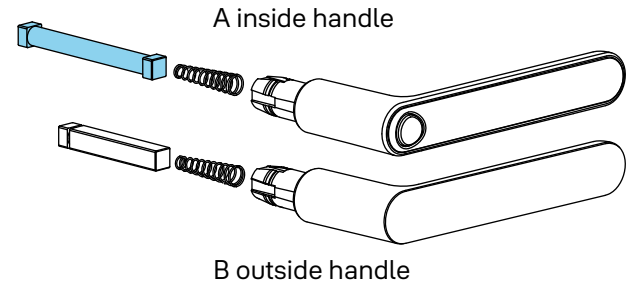
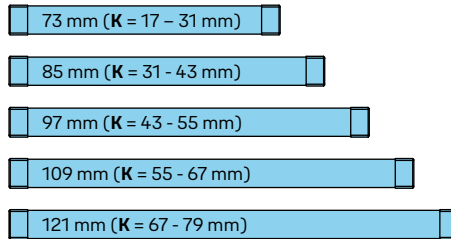
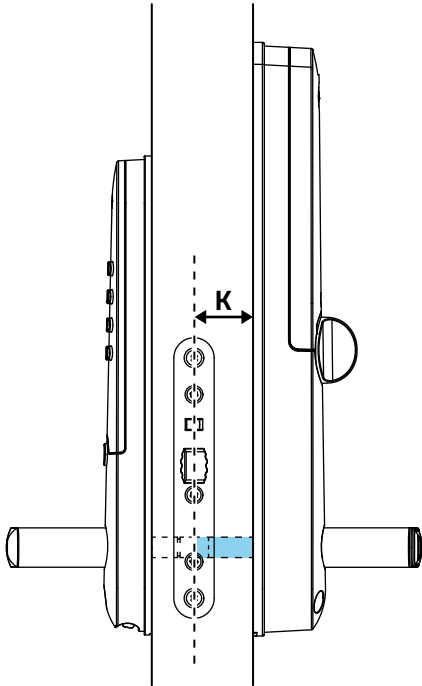


Check the handing of your door by viewing it from the outside. Keep the handle uninstalled for now. Prepare the outside unit according to your door's handing by installing an M4x8 screw as pictured.

PREPARE THE HANDLES

Open the package and find both handles and their spindles. Measure distance K as pictured from the centre of the lock body to the inside surface of the door. Select the correct spindle size for the inside handle according to K .

- ① Select the spindle size of the inside handle (A) according to distance K .
Note: the handle with a button is the inside handle.
- ② The outside handle (B) uses a square spindle.
- ③ Note the necessary springs and their correct orientation for installation.
- ④ Set the handles aside to await final installation.

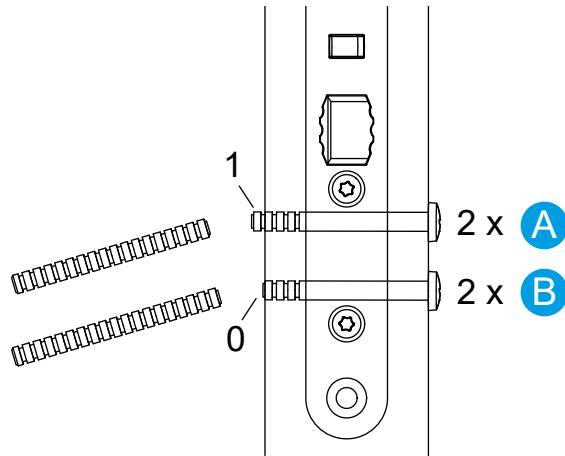


PREPARE THE INSTALLATION

The outside unit is mounted with four snap-off screws that span the depth of the door.

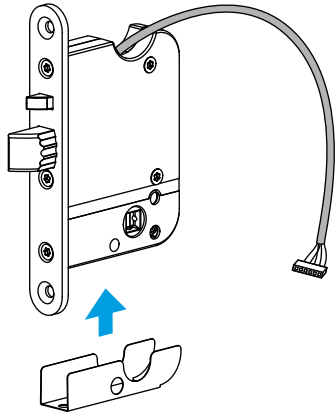
- Cut two of the screws (A) to exceed the depth of the door by one section (groove).
- Cut the other two screws (B) to match the depth of the door.
- Set the screws aside.

Completely remove the old lock from your door, including handles and the lock body.

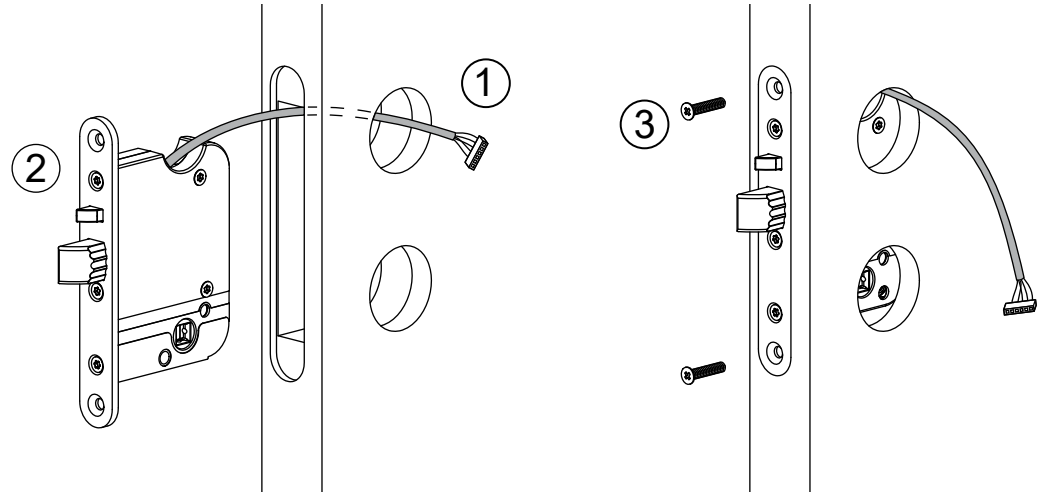


INSTALLATION

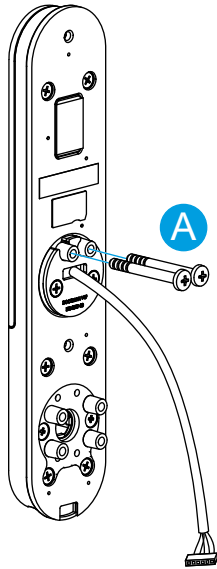
Place the anti-drill shield on the lower part of the lock body.



Install the BL907 lock body (included in the package) into your door. The lock body's wire must be on the inside of the door.

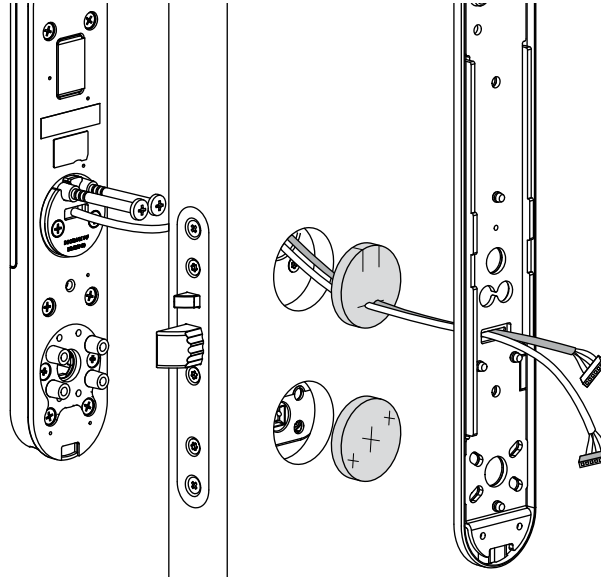


Place the longer snap-off screws in the outside unit's middle screw towers and screw them in by a couple twists.
Do NOT tighten the screws yet!



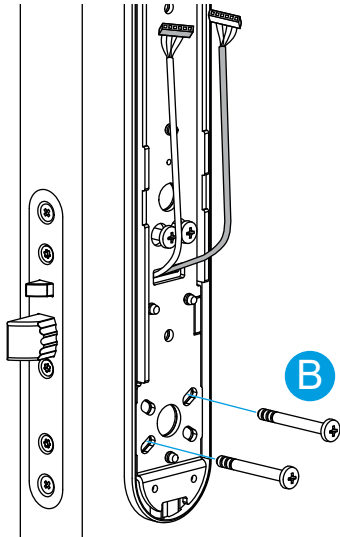
Place the outside unit with screws on the door. Thread the cable and screwheads above the lock body. Next, thread the wire harnesses through the opening in the insulation block and push in the insulation block. The snap-off screws pass through the two cut-off channels in the insulation block.

Also insert the handle hole insulation block inside the door – note the position of the screw holes in relation to the lock body's holes.

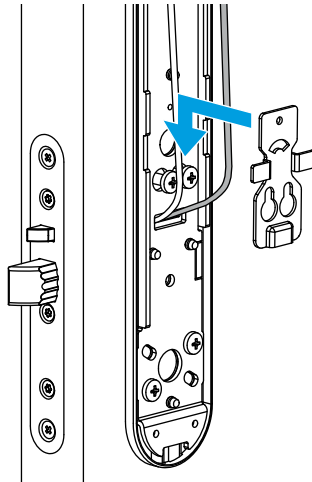


The insulation blocks reduce the amount of airflow through the holes on the door. This prevents moisture and ice forming inside the lock in abnormally difficult weather circumstances and in houses that have high under pressure or over pressure inside the house due to strong ventilation.

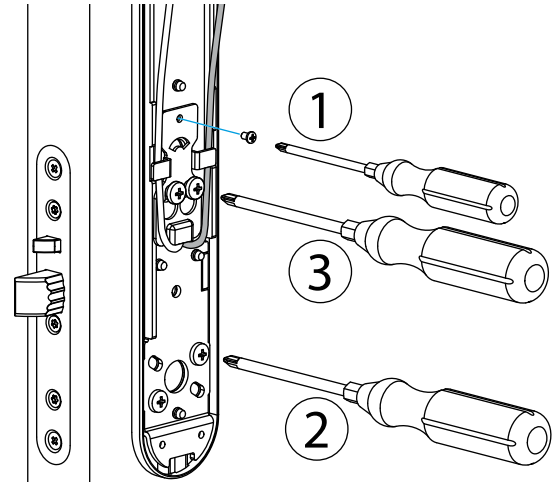
Thread the two shorter snap-off screws through the mounting plate and lock body to connect the mounting plate to the outside unit through the door.
Tighten the screws lightly.



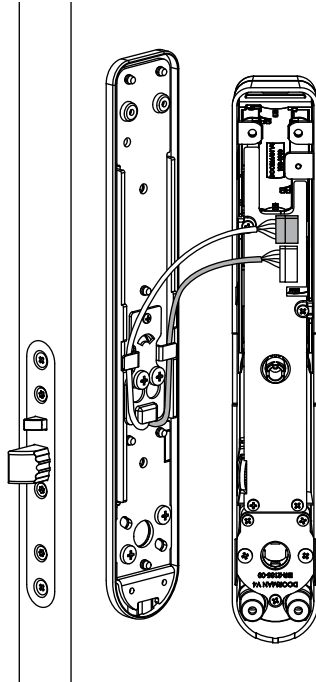
Locate the support plate on the upper screws by sliding the support plate downwards. The snap-off screws should set into their corresponding notches. Check that the cables run as pictured, below the slots on the sides.



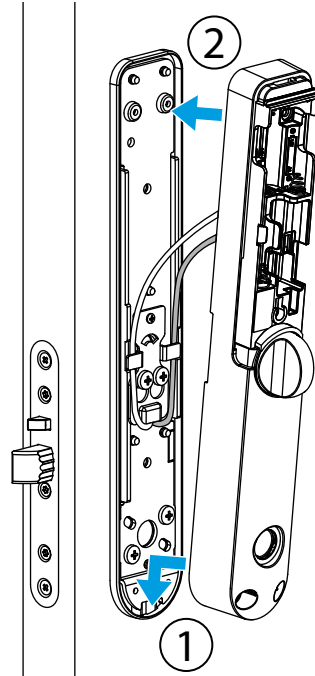
Fix the support plate in place with the included screw and make sure to leave the cables free. Now screw in the snap-off screws. Take turns in turning the upper and lower screws. Avoid turning too much at a time to allow an even tightening of the outside unit and (inside) mounting plate. Tighten down the screws just enough to secure the mounting plate in place. Overtightening the screws may warp the mounting plate.



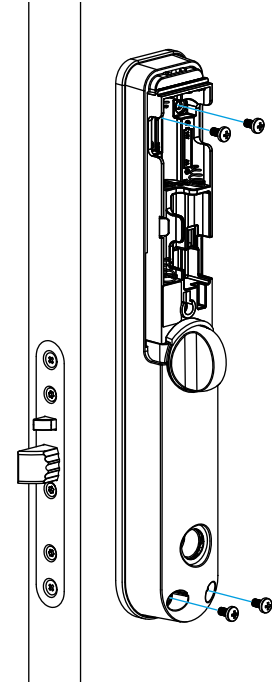
Connect the wire harness connectors to the inside unit. Install the white connector on the white header and the black connector on the black header. The connectors will only seat in the correct orientation.



Place the inside unit on its mounting plate bottom first. Avoid leaving any cables pinched under the edges.



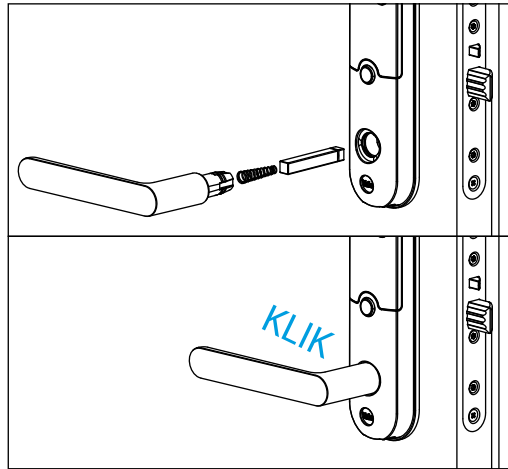
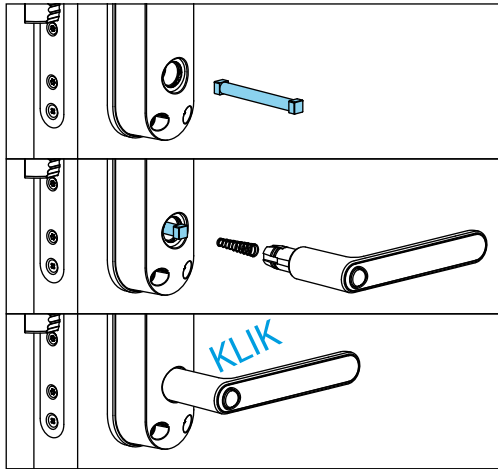
The inside unit is secured to the mounting plate with four M4x8 screws.



Take the prepared handles and mount them on the door.

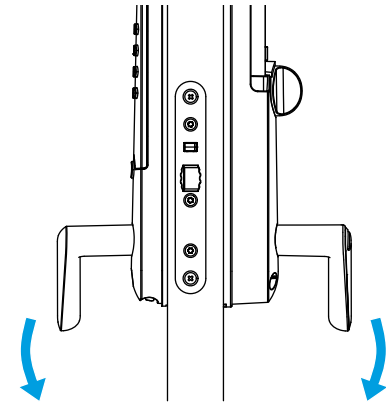
- Outside: use the square spindle.
- Inside: use the correct length of spindle according to door depth.

To properly install the spindle on the inside, first push the spindle separately through the inside unit into the lock case marking sure the spindle penetrates the insulation block and connects to the lock case. Then mount the inside and outside handles by forcefully pushing them in place. The handles will attach on the units.



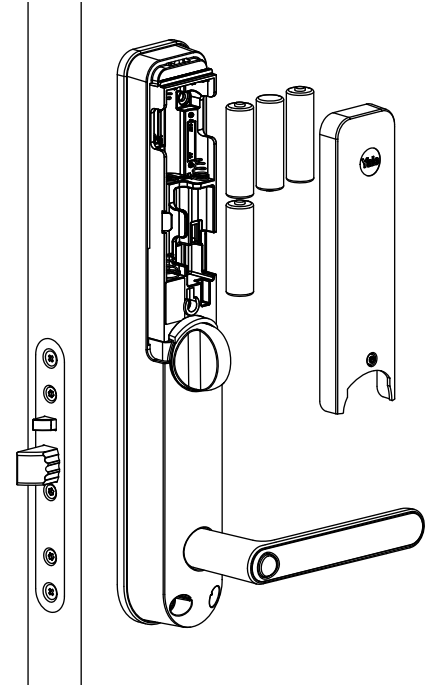
Check that both handles operate as they should and remain firmly in place.

- The handles must be easy to operate. The inside handle must only open the door when the handle's button is held down. If the handle can open the door without the button being held down, check the length of the inside handle's spindle and use a different length, if required. To replace the spindle, remove the four M4×8 screws installed in step 11 to remove the inside unit.





SET THE ADMINISTRATOR CODE

1. Keep the door open.
2. Install the batteries in the inside unit. The lock will request a master code.
 - Enter a code of your choice with the keypad (6–10 numbers).
Please note that the length of the lock's user codes will be the same as the master code!
 - Rotate the thumbturn towards the door frame to confirm the code.
 - Keep the door open and test the lock's operation by following the instructions on the next page.
3. Write down the master code – you will need it to change the lock's settings.

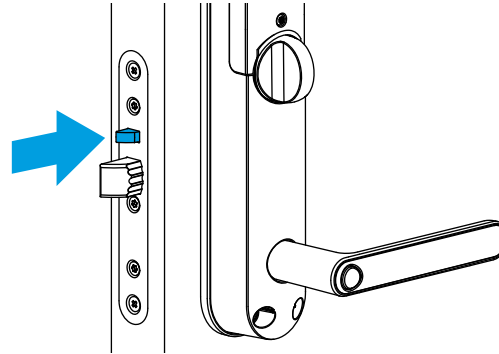


TEST THE LOCK

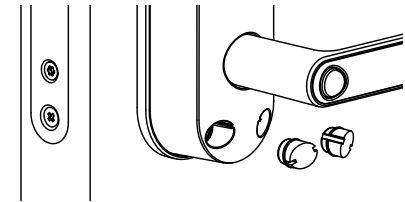
After you have set the master code, keep the door open and test its operation as follows:

1. Press in the trigger bolt **and keep it pressed in during the test**. If the trigger bolt is released during the test the burglary alarm of the lock can trigger. You can stop the alarm by entering the master code and pressing the .
2. Rotate the thumbturn back and forth twice.
3. Rotate the thumbturn to the locked position.
 - Test the lock by pressing the outside handle – the bolt should remain extended.
4. Enter the master code on the keypad and press  to open.
 - Test the lock by pressing the outside handle – the bolt should retract inside the lock body.
5. You can now release the trigger bolt. Press the handle again to retract the bolt from the deadlock position.

If the lock operates correctly, you may close the door and continue to the next page. If there were problems with the lock's operation, see the next page and the end of the manual for troubleshooting tips.



Install the rubber plugs over the sunk screws.






POST-INSTALLATION CHECKLIST

- Check that the thumbturn moves easily and both locks and unlocks the lock. If the thumbturn drags or hitches, check that the inside unit's wires are not interfering with the thumbturn.
- Check that the handles move easily and return to the horizontal position.
- If this is not the case, remove the unit from the door and try moving the handles again. Double-check the length of the spindle, if necessary.
- Check that the lock body's bolt can be operated with the inside handle. If this is not the case, check that the side selection screw is positioned correctly in the lock body.
- Make sure that all users know how to use the auxiliary power function (9-volt battery) and the Reset button.
- For more troubleshooting tips, see the end of the manual.

Hi! Change your mind about connecting your lock to the Yale Home app?

No problem – follow the instructions on page 7 after you set the lock in connection mode. You can activate connection mode as follows:

- Press , enter the master code, and press  again.
- Enter 0 and .

The lock can now be connected to the Yale Home app for five minutes. The function is cancelled if you close the door. **Please note that any codes, tags, and settings you have programmed in the lock will be erased upon connection!**

MAINTENANCE INSTRUCTIONS, LOCK OWNER

After 12 months from installation:

- Check the tightness of the snap-off screws and adjust them, if necessary (instructions on page 14).
- Check the gap between the door and the strike plate (instructions on page 4) and adjust the door or strike plate, if necessary.

Because the door and frame may deform over time, the tightness of the aforementioned screws should be checked every two years after this point.

Never apply oil to the internals of the lock body – oil can damage the electronics. Never disassemble the product or its components. This may void your warranty and damage the product.

If you need to clean the lock's surfaces, we recommend a damp microfibre or cotton cloth. Never aggressively scrub the product or use aggressive cleaning agents.


ABOUT BATTERIES

This product uses four 1.5 V AA alkaline batteries (note operating temperature). Always change all four batteries at the same time when you see the "battery low" warning. Never mix batteries of different make or model. Never allow batteries to run completely dry – this may damage the product.


Make sure to insert the batteries in the correct orientation (polarity, +/-) when changing batteries. Only use high-quality alkaline batteries. Rechargeable batteries are not compatible with this product. Always recycle used batteries.

Please note that leaving the door open for an extended period in cold weather may chill the batteries and even temporarily prevent the lock from operating. Normal operation will resume once the batteries are back to operating temperature.



TECHNICAL SPECIFICATIONS

- Battery replacement interval: 12 months typical, varies according to use.
- Battery type: 4 AA alkaline batteries.
- Surface finish: UV-resistant paint or varnish.
- Suitable for outdoor use, IP55 rated (outside unit).
- Operating temperature: +5...+50 °C on the inside and -25...+70 °C on the outside. **SPECIAL NOTE:** The reader may become inoperable if the outside unit's electronics cool down below -25 °C. Access is still possible with a code or with the app.
- The burglar alarm triggers if the door is opened from the outside while the lock is locked or if tampering with the product's electronics is detected. Using the inside button will only trigger the alarm in security mode.
 - You can stop the alarm by entering the master code and pressing the .
- Access codes: Maximum 30 individual access codes.
- Access control tags: Maximum 30 access tags.

LOCK FUNCTIONS

To open the lock from the outside, enter a valid code and press the  key.

If the lock is not connected to the Yale Home app, you can use the lock's voice menu to configure its settings and users.

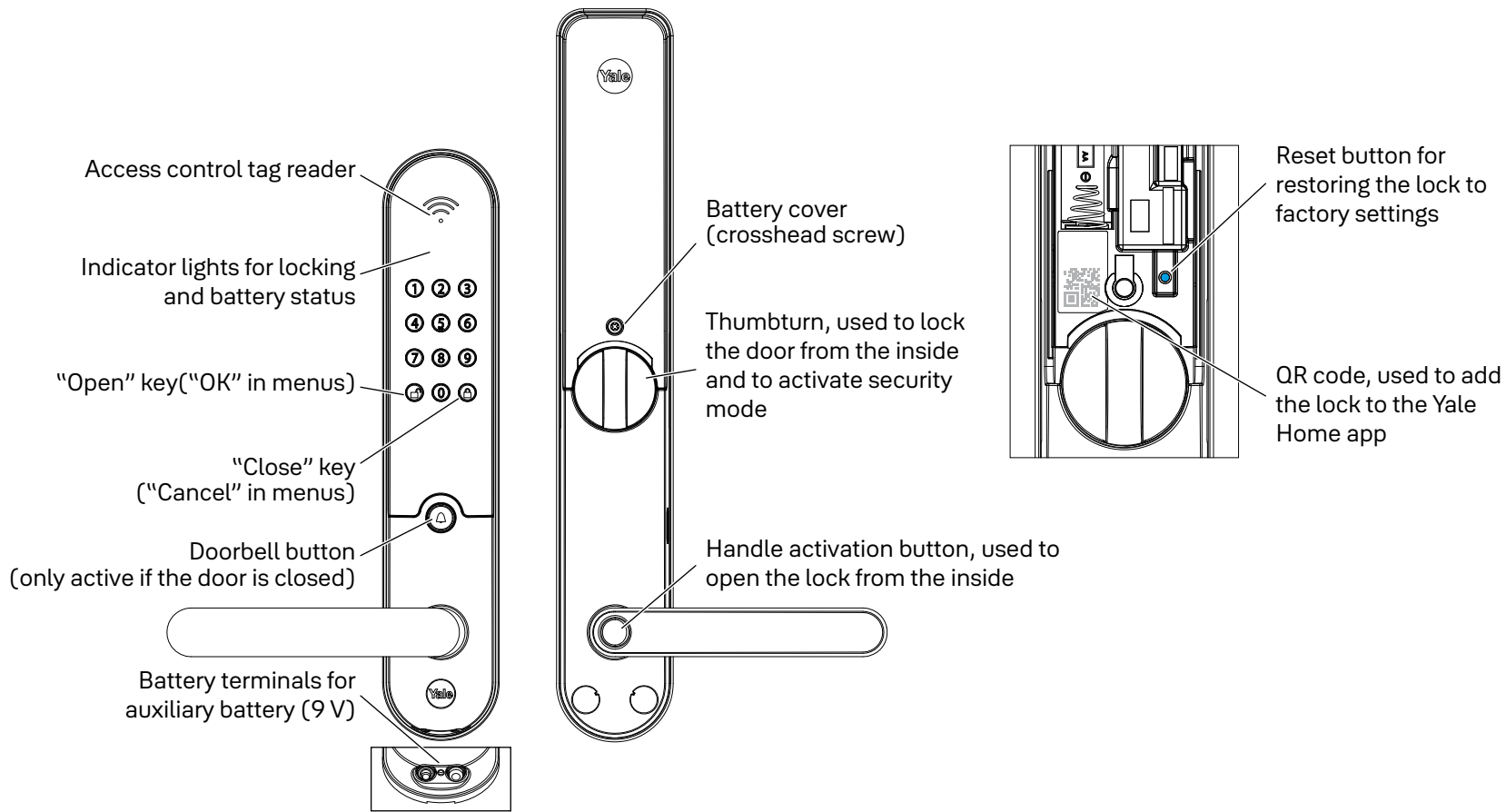
To enter the menu, open the door and press , enter the master code, press  again, and listen to the lock's instructions. The voice menu is disabled if the lock is connected to the Yale Home app.

The menu structure is explained at the end of the manual.



Resetting the lock:

If the lock is connected to the Yale Home app, use the app to reset the lock.

If the lock is not connected to the app, proceed as follows: remove one battery and hold down the Reset button while you replace the battery. You should now hear a doorbell sound. Release the button. The lock should announce the reset momentarily.



GENERAL LOCK USE

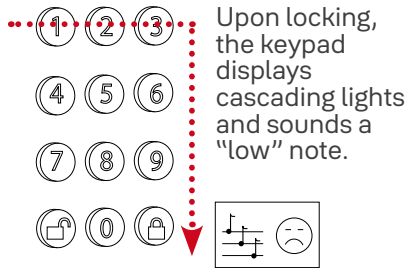
- To open the lock from the outside, enter a valid code and press the  key.
 - Alternatively, use the Yale Home app.
 - Alternatively, present a valid tag to the reader.
 - Note: the keypad allows extra numbers to be added before and after your real code to prevent outsiders from learning the real code.
- To open the lock from the inside, press in the inside handle's button and press the handle down.
For safety reasons*, the inside handle will always open the lock when it is turned while the button is pressed.
- Engaging the lock:
 - See the end of the manual for instructions on how to activate automatic locking (Lock Menu Structure and Settings).
 - The lock can also be engaged manually from the inside by rotating the thumbturn to the locked position and from the outside with the  key.
 - Alternatively, use the Yale Home app. The Yale Home app also allows the automatic locking function to be activated from the lock settings menu.
- If you forget your master code, you must reset the lock:
- Open the door, open the lock's battery cover, and remove one battery.
- Hold down the Reset button with a thin pin (paper clip or similar) and replace the battery.
- Wait a few seconds and release the Reset button. The lock should announce the reset.

* The door must be available as an emergency exit, which may not be prevented by hardware malfunctions, such as dead batteries or unexpected electronic faults.

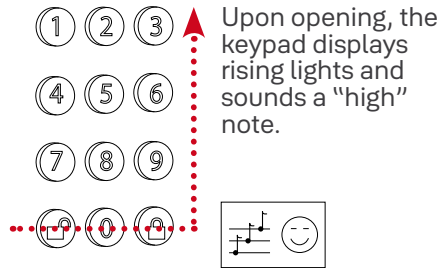
INDICATOR LIGHTS AND SOUND SIGNALS

Yale Doorman features a built-in voice menu in Finnish, Swedish, English, and Russian.

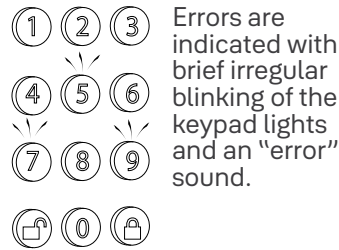
Light and sound indication when using the outside keypad



Upon locking, the keypad displays cascading lights and sounds a "low" note.



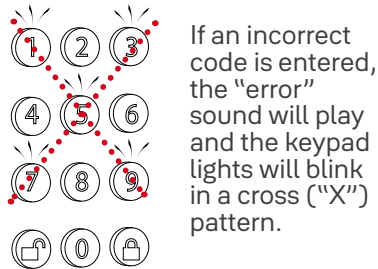
Upon opening, the keypad displays rising lights and sounds a "high" note.



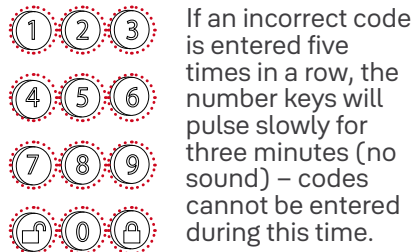
Errors are indicated with brief irregular blinking of the keypad lights and an "error" sound.



The burglar alarm plays an alarm sound and the keypad lights will pulse slowly.





If an incorrect code is entered, the "error" sound will play and the keypad lights will blink in a cross ("X") pattern.



If an incorrect code is entered five times in a row, the number keys will pulse slowly for three minutes (no sound) – codes cannot be entered during this time.

Indicator lights for outside unit operation

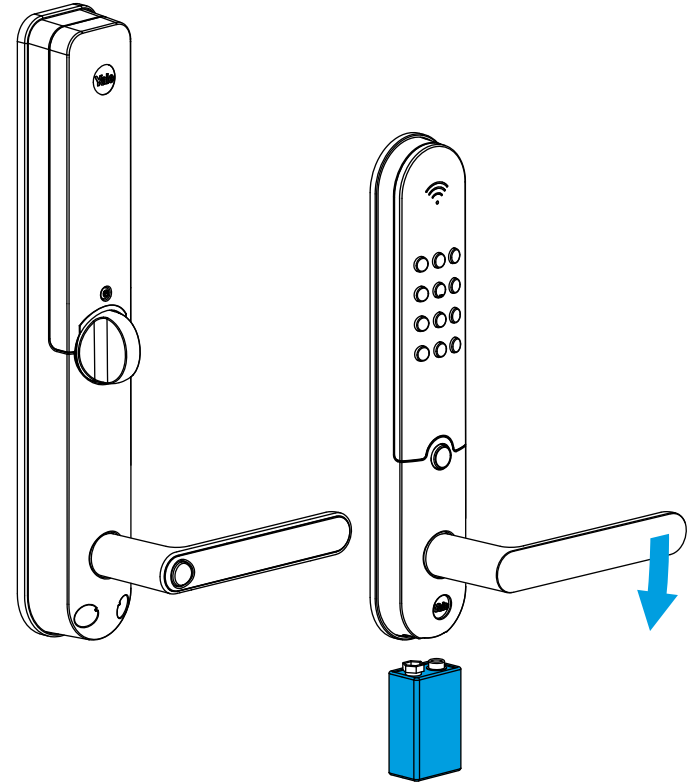
-  Lock engaged: Briefly turns red when the lock engages.
-  Lock open: Briefly turns green when the lock opens.

Emergency opening from the outside (auxiliary battery)

If the batteries run out despite caution and warnings, the product can be activated with a 9-volt battery. Hold the battery against the terminals located on the underside of the unit and use a registered tag or code.

Emergency opening from the inside

Yale Doorman L3 can be opened with the inside handle's button even if there are no batteries installed in the product.








CONFIGURING LOCK SETTINGS WITHOUT THE APP

The settings of the Yale Doorman L3 smart lock can be configured in “standalone” mode by using the lock’s keypad. If you do connect the lock to the Yale Home app, all settings must be configured in the app and the lock’s keypad cannot be used for this purpose.

The product has a built-in voice menu.

See the table on the next page for the voice menu structure and key presses.

1. To access the lock’s menu, open the door, press , enter the master code, and press  again.
 - Please note that the menu will be disabled if the lock is connected to the Yale Home app.
2. Settings are selected with the number keys and confirmed with the  key.
3. To edit a setting and confirm changes, press .

To confirm a setting, press .

To exit the menu, press .

Choose your language

- Press **1**, enter the master code, and press **1** again.
- Press **1**.
- For Finnish, press **1**.
- For Swedish, press **2**.
- For English, press **3**.
- For Russian, press **4**.
- Confirm by pressing **1**.

Doorbell settings

- Press **1**, enter the master code, and press **1** again.
- Press **8**.
- Press **1** to disable doorbell sounds.
- Press **2** to switch to quiet sounds.
- Press **3** to switch to loud sounds.
- Confirm by pressing **1**.

One-day code

- Press **1**, enter the master code, and press **1** again.
- Press **5**.
- Choose a code (four digits).
- Confirm by pressing **1**.
- If you want to erase the one-day code, do not enter the code but simply press **1**.

Require access control tag for locking

- Press **1**, enter the master code, and press **1** again.
- Press **9**.
- Press **3**.
- Press **1** to require locking confirmation by a tag.
- Press **3** to allow normal locking of the door.

This function can be used to prevent unnecessary locking of the door.

Automatic locking

- Press **1**, enter the master code, and press **1** again.
- Press **6**.
- Press **1** to enable automatic locking.
- Press **3** to disable automatic locking.
- Confirm by pressing **1**.

In automatic locking mode, the door will lock automatically when it is closed.

Yale Home connection mode

- Press **1**, enter the master code, and press **1** again.
- Press **0**.

The lock can now be connected to the Yale Home app for five minutes. The function is cancelled if you close the door.

NOTE! Once the lock has been connected to the Yale Home app, all codes, tags, and settings will be erased. These must be reconfigured in the Yale Home app.

Sound settings

- Press **1**, enter the master code, and press **1** again.
- Press **7**.
- Press **1** to disable sounds.
- Press **2** to switch to quiet sounds.
- Press **3** to switch to loud sounds.
- Confirm by pressing **1**.

Changing the master code

- The master code is the code you set when you first started up the product after installation. Do the following to change the master code:
- Press **▲**, enter the master code, and press **▲** again.
- Press **2** **▲**.
- Enter your new master code, 6–10 digits.
- Confirm by pressing **▲**.

User code rejection in security mode

- Press **▲**, enter the master code, and press **▲** again.
- Press **9** **▲**.
- Press **1** **▲**.
- Press **1** to reject user codes in security mode.
- Press **3** to accept user codes in security mode.
- Confirm by pressing **▲**.

Registering user codes

- Press **▲**, enter the master code, and press **▲** again.
- Press **3** **▲**.
- Press **1** **▲**.
- Select a memory slot for the user code: enter two digits (01–20) and press **▲**.
- Enter the user code (length must be identical to the master code) and press **▲** to confirm.
- Press ***** to register more user codes or press **▲** to exit.

Erasing user codes

- Press **▲**, enter the master code, and press **▲** again.
- Press **3** **▲**.
- Press **3** **▲**.
- Select the user code memory slot you want to erase (01–20) and press **▲** to confirm.

Registering access control tags

- Press **▲**, enter the master code, and press **▲** again.
- Press **4** **▲**.
- Press **1** to register a tag.
 - Select a memory slot for the tag, two digits (01–20).
 - Press **▲** to confirm.
 - Hold the tag to the reader and wait for the sound.
- If you would like to use a four-digit PIN with the tag, enter the PIN and press **▲** to confirm.
 - If no PIN is required, press **▲**.
- Press ***** to register more tags or press **▲** to exit.

If you have multiple locks, the tag must be programmed on each lock. At each lock, the tag must be read three times after programming before it can be used.

Erasing access control tags

- Press **▲**, enter the master code, and press **▲** again.
- Press **4** **▲**.
- Press **3** **▲** to erase a tag.
 - Select the tag memory slot to erase, two digits (01–20).
 - Press **▲** to confirm.

If you have multiple locks, the tag must be erased from each lock.

Allow Doorman V2N access control tags

- Press **▲**, enter the master code, and press **▲** again.
- Press **9** **▲**.
- Press **2** **▲**.
- Press **1** to allow tags from the older generation.
- Press **3** to block tags from the older generation.
- Confirm by pressing **▲**.

COMMON INSTALLATION ISSUES

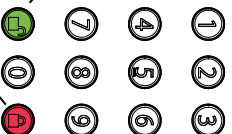
| Problem | Solution |
|--|--|
| Connecting the lock to Yale Home fails. I get an error stating the lock is already in use. | Set the lock in to Connection Mode by enabling lock's Bluetooth. See instructions on page 27. |
| The inside or outside unit will not stay straight. | Remove the inside unit. Check snap-off screw tightness. Check that the screws are not too long (prevents sufficient tightness). Snap off another segment and tighten the screws. |
| The inside or outside unit is askew. | Remove the inside unit, loosen the snap-off screws and straighten the units. Tighten the screws. |
| There is a gap between the inside unit and the door. | Check that the lock's wiring passes neatly between the inside unit and its mounting plate (overlapping wires will add unnecessary height). If this proves insufficient, the upper snap-off screws may have been overtightened, resulting in a bad fit for the mounting plate. Remove the inside unit and mounting plate from the door – take care not to drop the outside unit. Carefully bend the mounting plate outwards from the middle so that its midsection remains slightly raised when installed on the door. Reinstall the snap-off screws and avoid overtightening them. |
| The inside unit's rubber trim sits unevenly. | The mounting plate is fixed too tightly with the snap-off screws. Remove the inside unit and loosen the mounting plate screws enough to allow the rubber trim to set evenly. Tighten the screws and avoid overtightening them. |
| The inside or outside handle comes loose from the lock. | The handle is affixed to the lock with a clamp ring that engages when the handle is pressed into it with sufficient force. If the handle will not stay despite firm pressing, try removing the inside or outside unit from the door and pressing the handle onto the unit without the spindle that goes inside the handle. Make sure to install the handle with the correct handing. |
| There is a snap when pressing the inside handle. | The inside handle's spindle may be too long. Try changing the spindle to the next size down and test how the lock operates with the shorter spindle. |
| The lock fails to lock or appears to be unlocked with the door closed. | Check the installation of the lock body and strike plate. The distance between the door and the strike plate must be 1.5 to 5.5 mm. If the gap is too narrow or too wide, this will interfere with the locking mechanism. The trigger bolt must not slip into the strike plate's opening. |
| I get an error about failed locking. | The bolt of the lock body cannot extend fully to engage deadlock. Open the door and test the lock by pressing in the trigger bolt to engage deadlock. If the lock works, adjust the strike plate in the door frame to allow the bolt to deadlock the door when it is closed. If the lock fails to engage with the door open, the spindle of the inside handle may be too long. Check and replace the inside handle's spindle, if necessary. |
| The burglar alarm triggers even with the door closed (locked). | Check the gap between the lock body and the strike plate as above. The alarm triggers if the trigger bolt is allowed to extend from the lock body with the door locked. Changes in temperature will cause the door and frame to deform, which may increase the gap. |
| Automatic opening is delayed or otherwise problematic. | The model and settings of your phone affect the reliability of the automatic opening function. Visit our support section at www.yale.fi for tips on how to improve the function's reliability. |



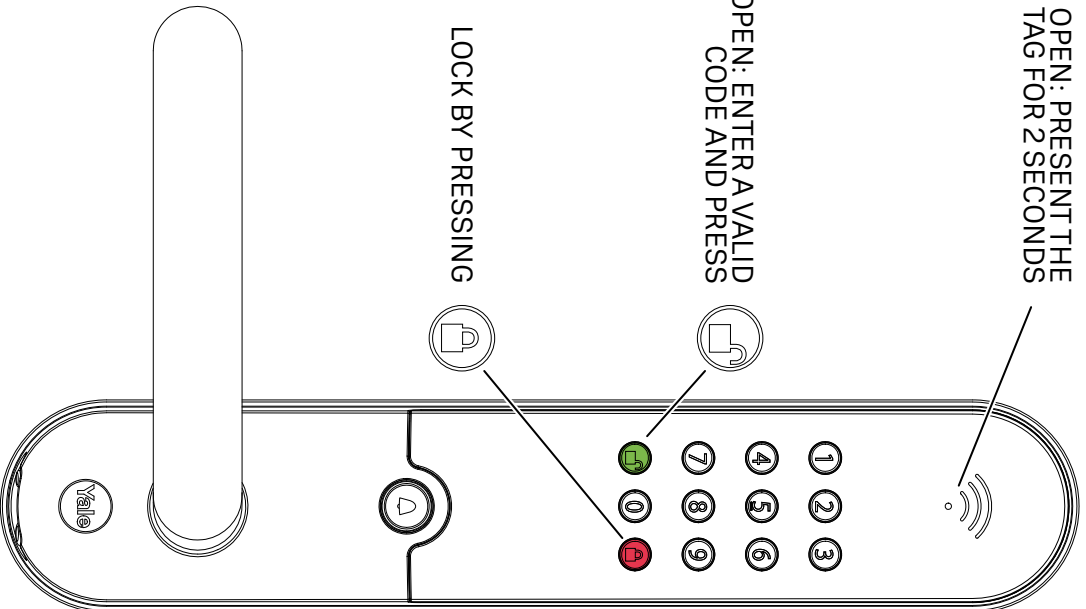
TO OPEN: PRESENT THE
TAG FOR 2 SECONDS



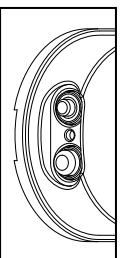
TO OPEN: ENTER A VALID
CODE AND PRESS

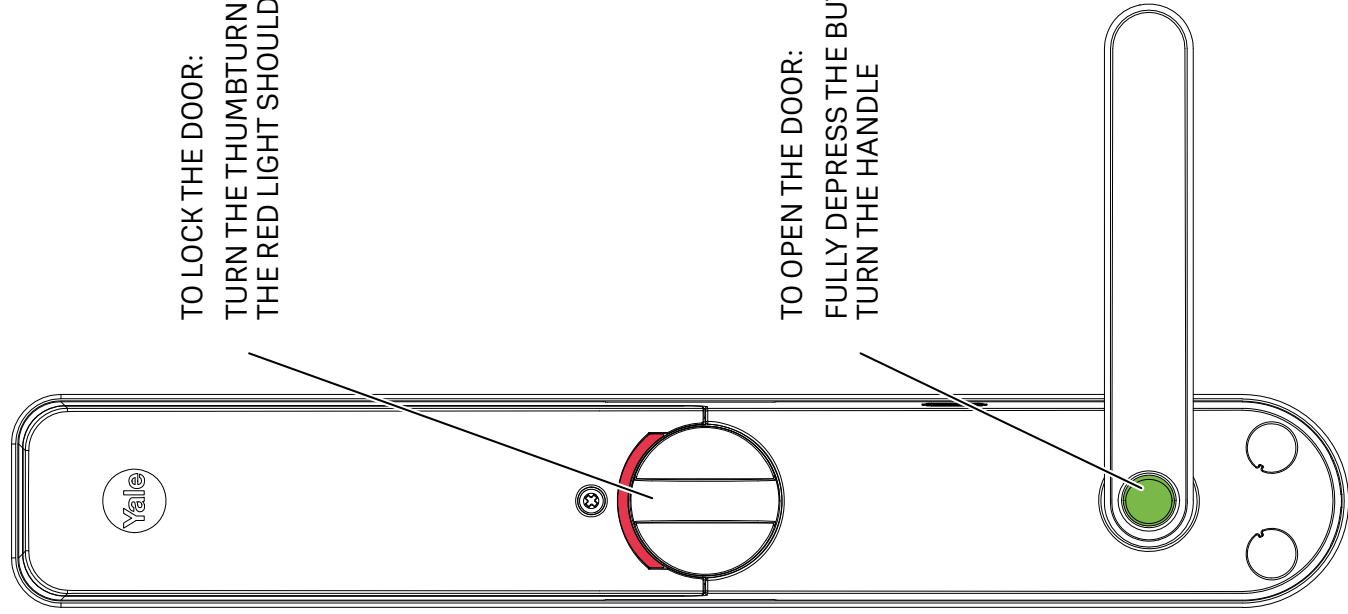


LOCK BY PRESSING



AUXILIARY POWER, 9 V BATTERY





TO LOCK THE DOOR:
TURN THE THUMBTURN
THE RED LIGHT SHOULD FLASH

TO OPEN THE DOOR:
FULLY DEPRESS THE BUTTON
TURN THE HANDLE



YALE, with its unique global reach and range of products, is the world's favorite lock – the preferred solution for securing your home, family and personal belongings.

ASSA ABLOY is the global leader in door opening solutions, dedicated to satisfying end-user needs for security, safety and convenience.

More information available at www.yale.fi

Abloy Oy
Wahlforssinkatu 20 (PL108)
80100 Joensuu
Suomi
Finland



Part of ASSA ABLOY



Yale Home