

P320

Powered by smart motion detection technology, P320 can distinguish people and vehicles from other objects. Get alerts when a suspicious person or car is loitering around your house or store. Unwanted alarms from spiders or swaying trees are a thing of the past. Boasting a high resolution of 2560x1920, P320 security IP camera can capture crystal clear videos with fine details. With the built-in microphone, it also picks up ambient sound for an extra layer of security.

1. Specs



1	Mount
2	Metal Aluminum Case
3	IR LEDs
4	High-Defination Lens (f=2.8mm)
5	Daylight Sensor



1	Power
2	Reset Button
3	Network
4	Waterproof Lid

2. Setup and Install

Set up the Camera

What's in the Box

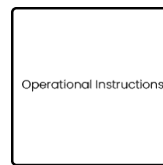
Note: The package content may vary and update with different version and platforms, please take the below information only for a reference. And the actual package content are subject to the latest information on the product selling page.
P320



P320



1m Network Cable*1



Quick Start Guide*1



Surveillance Sticker*1



Mounting Template *1



Pack of Screws*1

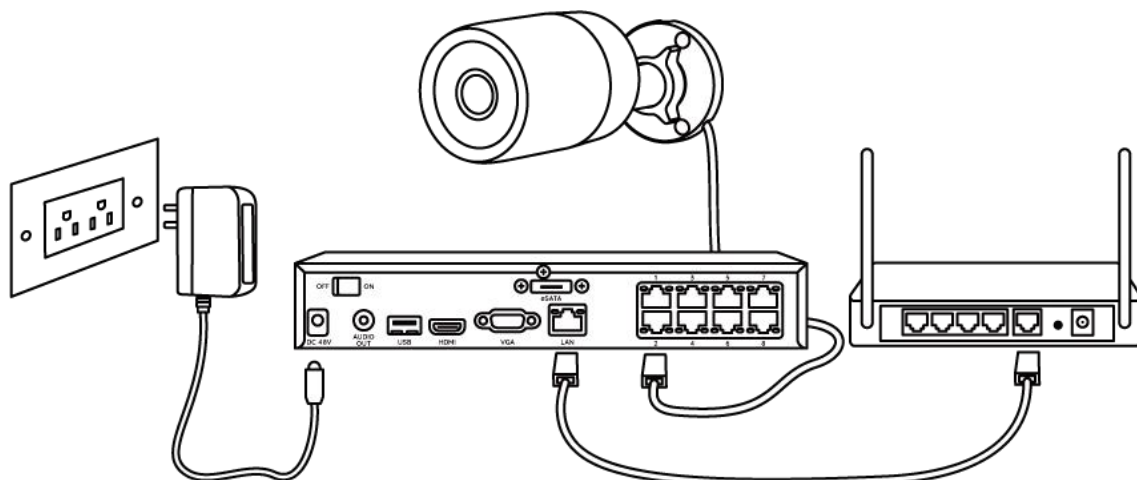


Waterproof Lid *1

Connection Diagram

Before initial setup, follow the steps below to connect your camera.

1. Connect the camera to a PoE injector with an Ethernet cable.
2. Use the power adapter to power on the PoE injector and connect it to your router.

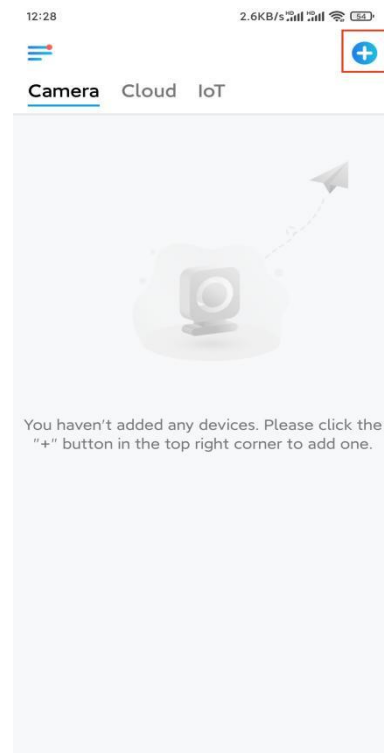


Note: You can power the camera with a PoE switch, PoE injector, Reolink PoE NVR or a DC 12V power adapter (not included in the package).

Set up the Camera on the App

Here is a guide on how to initially set up the camera via Reolink App.

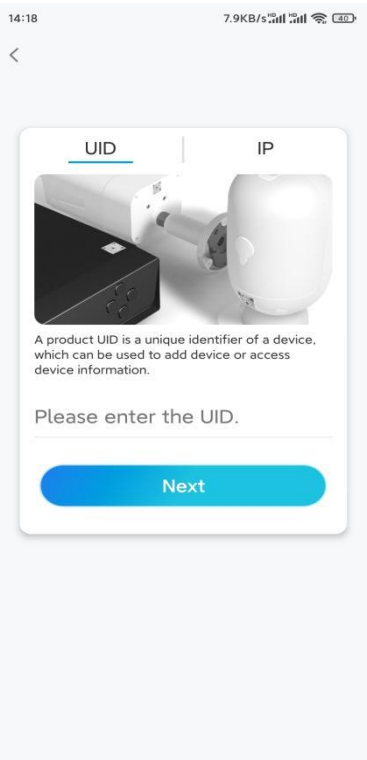
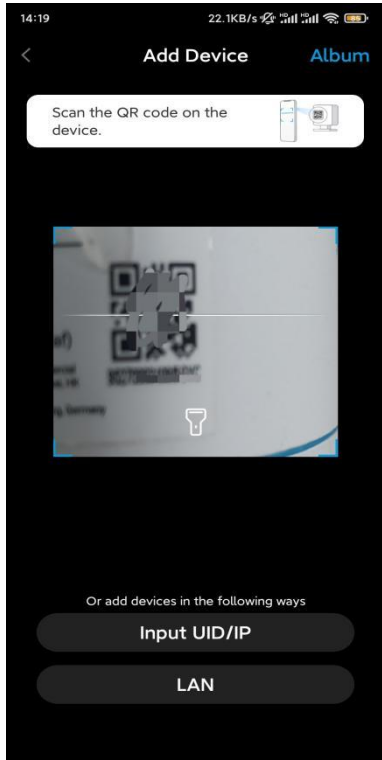
Step 1. Tap the icon  in the top right corner.



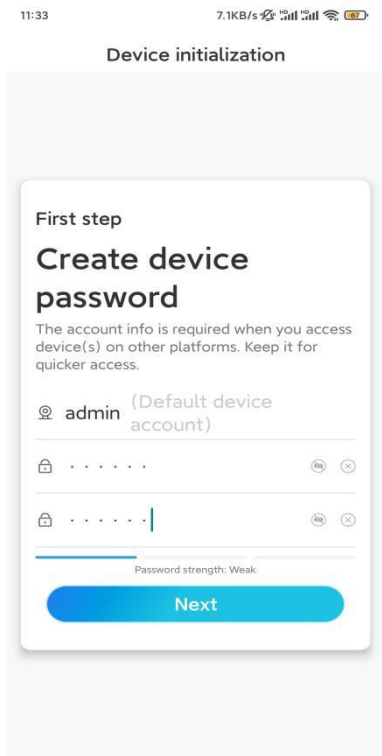
Note: If you've enabled the **Add Device Automatically** option on the App's Settings page, you can tap this device on the **Devices** page and turn to **Step 3** directly.

Step 2. Scan the QR code on the back of the camera. You may tap **Light** to enable a flashlight when setting up the camera in a dark environment.

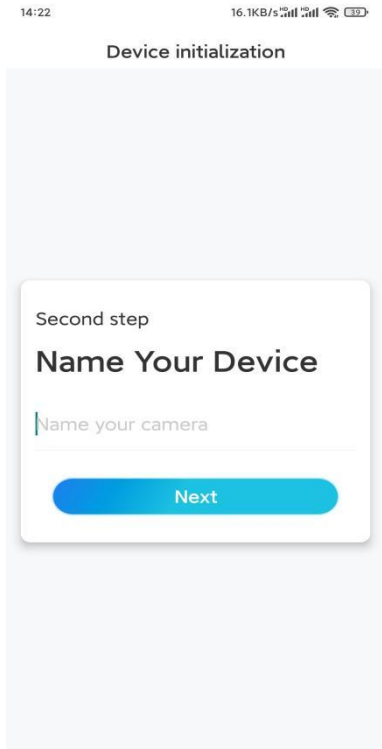
If the phone doesn't respond, please tap **Input UID/IP** and then manually type in the UID (16-digit characters under the QR code of the camera). Then tap **Next**.



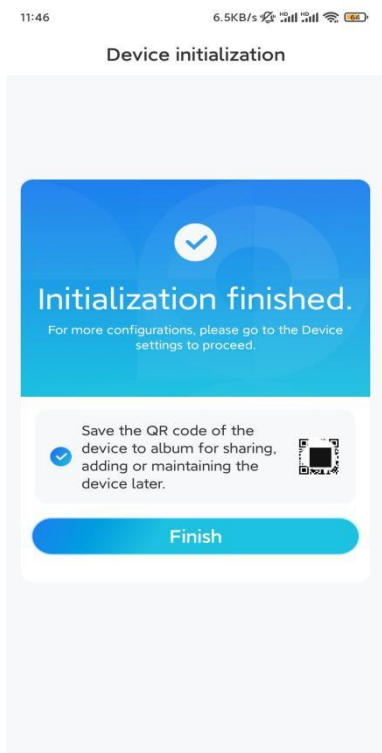
Step 3. Create a login password for your camera. Then tap **Next**.



Step 4. Name your camera. Then tap **Next**.



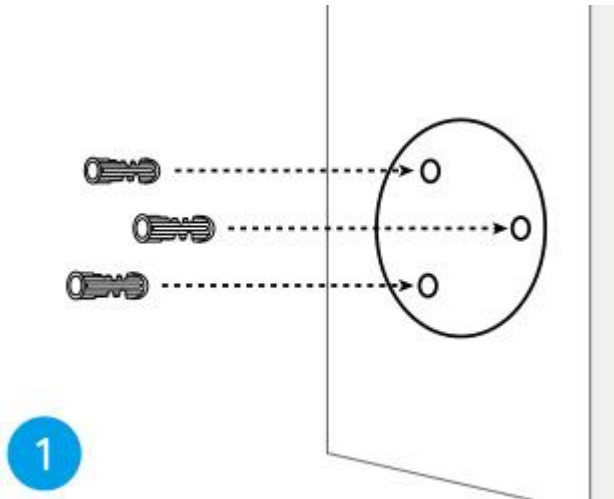
Step 5. Initialization finished! You can start live viewing now.



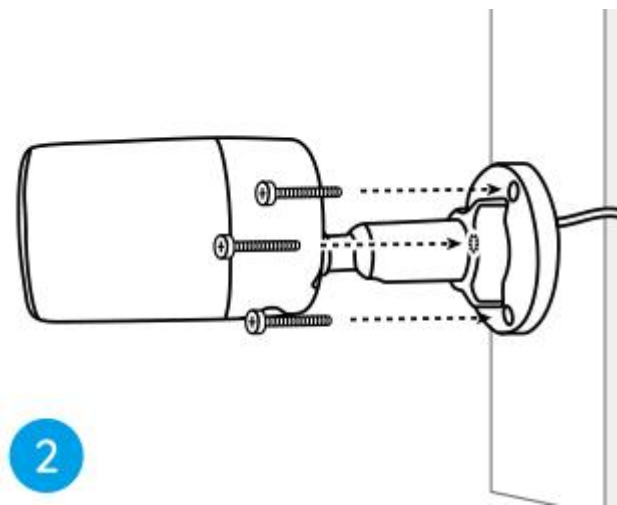
Install the Camera

Please follow the steps below to install the camera.

Step 1. Drill holes in accordance with the mounting hole template.



Step 2. Install the mount base with the mounting screws included in the package.

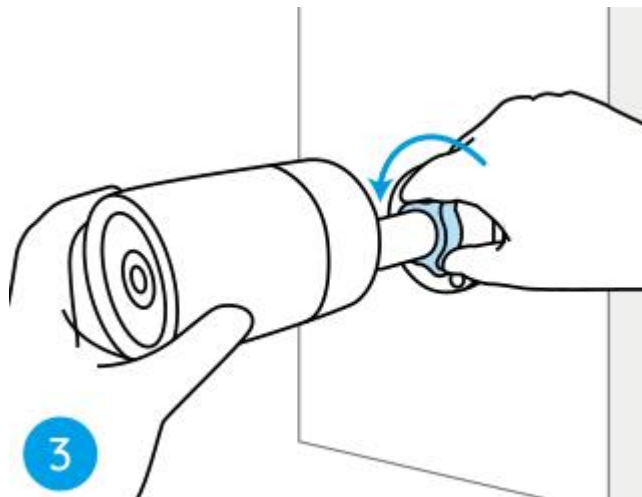


Notes:

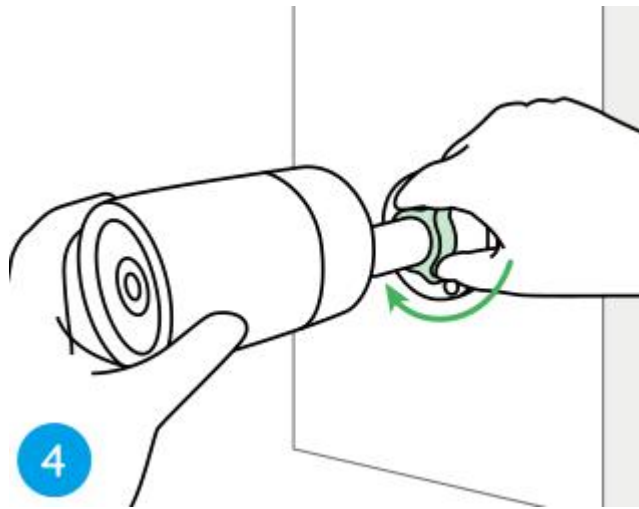
Run the cable through the cable notch on the mount base.

As for the WiFi camera, it is recommended that the antennas be installed upward or horizontally for better WiFi connection.

Step 3. loosen the adjustment knob by twisting it counterclockwise on the security mount, and turn the camera to get an ideal view.



Step 4. Turn the knob clockwise to fix the camera in place.



Note: If your camera has another mount without the adjusting knob, please loosen the adjusting screw with the provided hex key and turn the camera as shown below to adjust the angle.

