

Technical Support

If you need any technical help, please visit our official support site and contact our support team before returning the products, <https://support.reolink.com>.

Technische Unterstützung

Wenn Sie Hilfe brauchen, kontaktieren Sie bitte Reolink Support Team zuerst, bevor Sie Ihre Bestellung zurücksenden. Meiste Fragen oder Probleme können von unserem Online Support Center beantwortet und gelöst werden: <https://support.reolink.com>.

Support technique

Si vous avez besoin d'aide, veuillez contacter Reolink avant de retourner votre produit. La plupart des questions peuvent être répondues via notre centre de support en ligne à l'adresse <https://support.reolink.com>.

Supporto Tecnico

Se avete bisogno di aiuto, le chiediamo gentilmente di contattare Reolink prima di restituire il prodotto. La maggior parte delle domande può essere risolta tramite il nostro centro di assistenza online all'indirizzo <https://support.reolink.com>.

Soporte técnico

Si necesita ayuda, comuníquese con Reolink antes de devolver su producto. La mayoría de las preguntas se pueden responder a través de nuestro centro de soporte en línea en <https://support.reolink.com>.

REOLINK INNOVATION LIMITED

FLAT/RM 705 7/F FA YUEN COMMERCIAL BUILDING 75-77 FA YUEN
STREET MONG KOK KL HONG KONG



PAP 22
Raccolta Carta

December 2024
QSG1_A
58.03.008.0124

Reolink

EN/DE/FR/IT/ES

Operational Instructions

Apply to Reolink Solar Panel,
Reolink Solar Panel 2

  @ReolinkTech <https://reolink.com>

Content

What's in the Box	2
How to Install	3
Troubleshooting	7
Specifications	7
Important Safety Instructions	8
Legal Disclaimer	9
Notification of Compliance	10

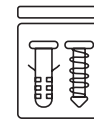
What's in the Box



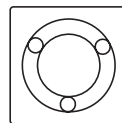
Solar Panel x1



Bracket x1



Pack of Screws x1



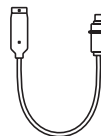
Mounting Template x1



Strap x1



Mounting Plate x1



USB-C to Micro USB Cable

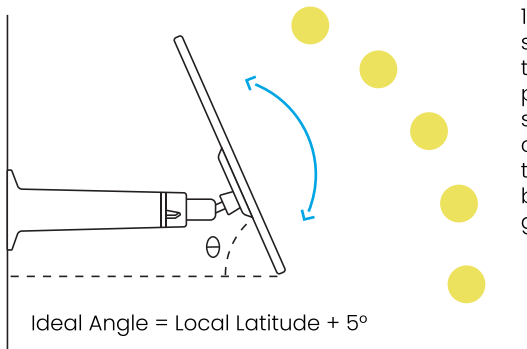


Bracket Foam Padding

NOTE: The USB-C to Micro USB cable only comes with the separately sold solar panel.

How to Install

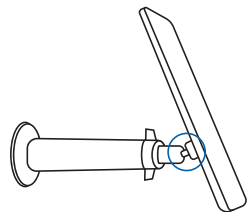
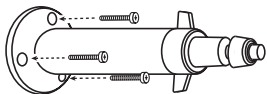
Install the Solar Panel with Screws



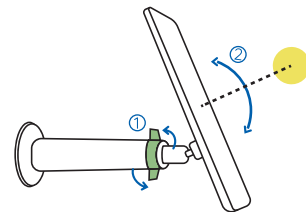
1. Please choose a location for your solar panel that gets the most sunlight throughout the year. The Reolink solar panel needs only a few hours of direct sunlight to sufficiently power up your camera daily. The amount of energy that the solar panel can produce is affected by weather conditions, seasonal changes, geographic locations, etc.

2. Mount the bracket with the mounting template and the long screws provided. For hard walls, insert wall anchors before using the long screws.

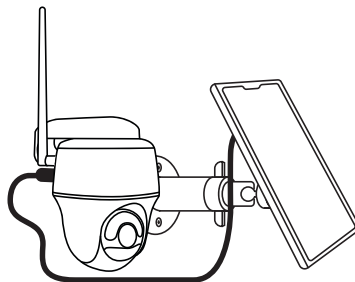
NOTE: You can apply the foam padding to the bottom of the bracket to prevent insects and other foreign objects from entering.



3. Slot the solar panel into the bracket and make sure it's secure.



4. Loosen the adjustment knob on the bracket, and adjust the angle of the solar panel to receive the most direct sunlight. Then re-tighten the adjustment knob to secure the panel.

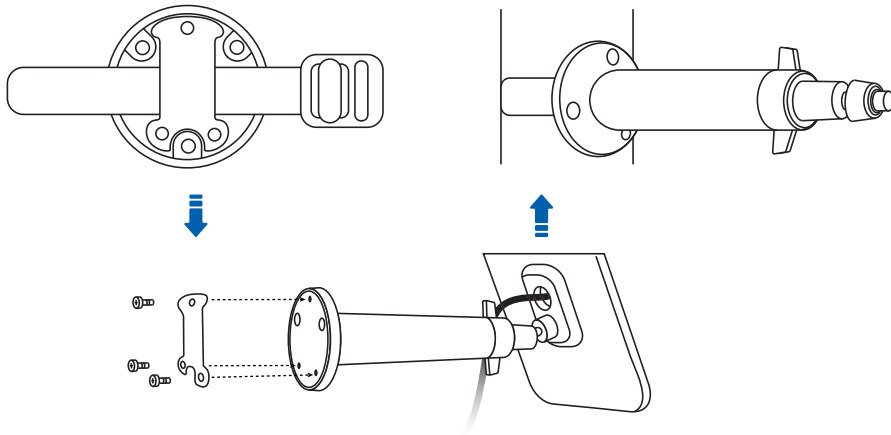


5. Connect the solar panel to the Reolink battery-powered camera.

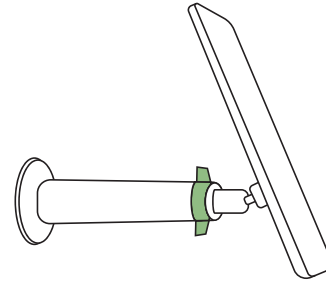
NOTE: Make sure the USB-C connector is plugged in all the way for a weatherproof seal.

Install the Solar Panel with Strap

If you plan to mount the solar panel to a tree, you are recommended to use the strap.



1. Put the strap on the bottom of the bracket.
2. Fix the strap with the mounting plate and secure the mounting plate with screws.
3. Attach the bracket to the tree and fasten the strap.



4. After the bracket is fixed, slot the solar panel into the bracket, adjust the solar panel, and connect the solar panel to camera. (You can refer to steps 3 to 5 in “Install the Solar Panel with Screws”.)

IMPORTANT NOTICE

- Make sure the solar panel is not blocked. The energy harvesting efficiency drops drastically even when a small portion of the solar panel is blocked.
- Please avoid installing the solar panel completely horizontally. Otherwise your solar panel might accumulate dust and other debris easily. It's advised to install the solar panel angularly to receive the most direct sunlight.
- Wipe the solar panel regularly to remove dust or debris.
- Please charge the batteries in temperature between 0°C and 45°C (32-113°F). The solar panel won't charge the camera at temperatures below 0°C (32°F).

Troubleshooting

Stop Charging the Battery-powered Cameras

If your solar panel can't charge the camera anymore, try the following solutions:

- Unplug and re-insert the charging cable. Please ensure the connection between the solar panel and camera is stable.
- Make sure that your Reolink solar panel points toward the sun and is not shaded by trees, buildings, or other objects.
- Make sure that your camera is not charged at temperatures below 0°C (32°F) or above 45°C (113°F).

If these don't work, contact Reolink
<https://support.reolink.com>

Specifications

Physical Parameters

For Reolink Solar Panel
Size: 185.4 x 120.4 x 175mm
Cable Length: 4 Meters
Weight: 223.06g

For Reolink Solar Panel 2
Size: 210.6 x 174.6 x 185mm
Cable Length: 4 Meters
Weight: 361.29g

General

Charging Temperature:
0°C to 45°C (32°F to 113°F)
Operating Temperature:
-10°C to 55°C (14°F to 131°F)
Weather Resistance:
IP65 certified weatherproof

Important Safety Instructions

Please read the instructions carefully before using the device.

1. Replace only with the same or equivalent type of accessories recommended by Reolink.
2. Do not use the device in an environment that exceeds the recommended temperature range.
3. Do not use the device in an environment that exceeds the recommended humidity range.
4. Do not attempt to disassemble, repair, or alter the device by yourself.
5. Always follow the local safety laws and regulations when using the device.
6. The device contains (or comes with) small components, small plastic elements, and other small parts that may cause choking hazards. Keep the device and its accessories out of reach of children. Consult a physician immediately if small parts are swallowed.
7. The device contains (or comes with) cables or cords that may cause strangulation hazards. Keep the device and its accessories out of reach of children.

Legal Disclaimer

To the maximum extent permitted by applicable law, this document and the product described, with its hardware, software, firmware, and services, are delivered on an "as-is" and "as-available" basis, with all faults and without warranty of any kind. Reolink disclaims all warranties, express or implied, including but not limited to, warranties of merchantability, satisfactory quality, fitness for a particular purpose, accuracy, and non-infringement of third-party rights. In no event will Reolink, its directors, officers, employees, or agents be liable to you for any special, consequential, incidental or indirect damages, including but not limited to damages for loss of business profits, business interruption, or loss of data or documentation, in connection with the use of this product, even if Reolink has been advised of the possibility of such damages.

To the extent permitted by applicable law, your use of the Reolink products and services is at your sole risk and you assume all risks associated with internet access. Reolink does not take any responsibilities for abnormal operation, privacy leakage or other damages resulting from cyber attacks, hacker attacks, virus inspections, or other internet security risks. However, Reolink will provide timely technical support if required.

The laws and regulations related to this product vary by jurisdiction. Please check all relevant laws and regulations in your jurisdiction before using this product to ensure that your use conforms to the applicable law and regulation. During the use of the product, you must comply with relevant local laws and regulations. Reolink is not responsible for any illegal or improper use and its consequences. Reolink is not liable in the event that this product is used with illegitimate purposes, such as third-party rights infringement, medical treatment, safety equipment, or other situations where the product failure could lead to

death or personal injury, or for weapons of mass destruction, chemical and biological weapons, nuclear explosion, and any unsafe nuclear energy uses or anti-humanity purposes. In the event of any conflicts between this manual and the applicable law, the latter prevails.

Notification of Compliance

ISED Compliance Statements

This Class B digital apparatus complies with Canadian ICES-003.
Cet appareil numérique de la classe B est conforme à la norme NMB-003 du Canada.

SIMPLIFIED EU AND UK DECLARATION OF CONFORMITY

Hereby, REOLINK INNOVATION LIMITED declares that the equipment type [refer to the cover of the Operational Instructions] is in compliance with Directive 2014/30/EU. The full text of the EU and UK declaration of conformity is available at the following internet address:
<https://support.reolink.com/hc/en-us/articles/36788378727065/>



Correct Disposal of This Product

This marking indicates that this product should not be disposed with other household wastes throughout the EU. To prevent possible harm to the environment or human health from uncontrolled waste disposal, recycle it responsibly to promote the sustainable reuse of material resources. To return your used device, please use the return and collection systems or contact the retailer where the product was purchased. They can take this product for environment safe recycling.

Limited Warranty

This product comes with a 2-year limited warranty that is valid only if purchased from Reolink Official Store or a Reolink authorized reseller. Learn more: <https://reolink.com/warranty-and-return/>.

Terms and Privacy

Use of the product is subject to your agreement to the Terms of Service and Privacy Policy at reolink.com.

Terms of Service

By using the Product Software that is embedded on the Reolink product, you agree to the terms&conditions between you and Reolink. Learn more: <https://reolink.com/terms-conditions/>.

Technical Support

If you need any technical help, please visit our official support site and contact our support team before returning the products, <https://support.reolink.com>.

Trademarks Acknowledgement

“Reolink” and other Reolink’s trademarks and logos are the properties of Reolink. Other trademarks and logos mentioned are the properties of their respective owners.