

Nr. 4041E3

E3 gate valve, System 2000 - flange PN 10 I PN 16

PN 10 I PN 16



Standards

System 2000:

- Suitable for PE pipes 80/100, EN 12201, DIN 8074
- For PVC pipes according to EN ISO 1452-2
- For thin-walled PE pipes (\geq SDR 21) and for vacuum pipelines, the use of a support liner is required
- restraint acc. to DIN 8076 T1/T3
- with protecting caps of recycled PE or PE foil packing to prevent ingress of dirt & dust during storage acc. to EN 12351 and EN 805

E3:

- Resilient seated gate valve according to EN 1171, EN 1074-1 and EN 1074-2 with smooth, straight-through bore

Flanges sized in accordance with EN 1092-2, drilled according to

- EN 1092-2 | PN 16: Standard up to DN 150
- EN 1092-2 | PN 10 or PN 16: from DN 200
- **Please specify on order - other standards on request**

Construction features

System 2000:

- Using a lip seal ring for sealing the pipe allows for easier insertion of the pipe into the System 2000 socket
- The pipe restraining system is required for pushing the pipe into the seal and chamfer with an appropriate tool
- Specially developed for repairs or expansion of existing networks using plastic pipes
- Easy assembly and disassembly (superior mechanical connection, no welding, minimal assembly and disassembly forces)

Learn more about reliable [System 2000](#) pipe connections in our Hawle Knowledge blog.

Hawle E3:

- Double bayonet O-ring carrier is connecting the spindle to the bonnet, allowing a fully encased, uniform epoxy powder coated bonnet for further improved corrosion protection
- Spindel made of Duplex stainless steel
- Wedge guide made of wear resistant POM material in load optimized design minimizes attrition and ensures lowest torque actuation
- Wedge is flexible and fully linked in vulcanized elastomer to the wedge nut. This snug fit dampens vibration during opening and closing of the wedge
- Wedge nut has a long thread length allowing significantly higher torques than the standard before breaking
- O-rings, lip-seals mounted in the bonnet are replaceable under operating pressure
- Extended edge protection to avoid damages during transport, storage and assembly
- Sliding disks and ball bearing assure low friction performance of the spindle
- 100% suitable for buried installations
- Suitable for cleaning with a cleaning pig
- One extension spindle for several dimensions
- Suitable for operation by automatic actuators
- Easy refitting for position indicator and automatic actuators on the standard bonnet (DN 50 to DN 200)

Nr. 4041E3

E3 gate valve, System 2000 - flange PN 10 I PN 16

PN 10 I PN 16

- To set-up an actuator or a position indicator, remove the centering flange and insert position indicator or actuator with adapter (DN 250 to DN 600)

Nr. 4041E3

E3 gate valve, System 2000 - flange PN 10 I PN 16

PN 10 I PN 16

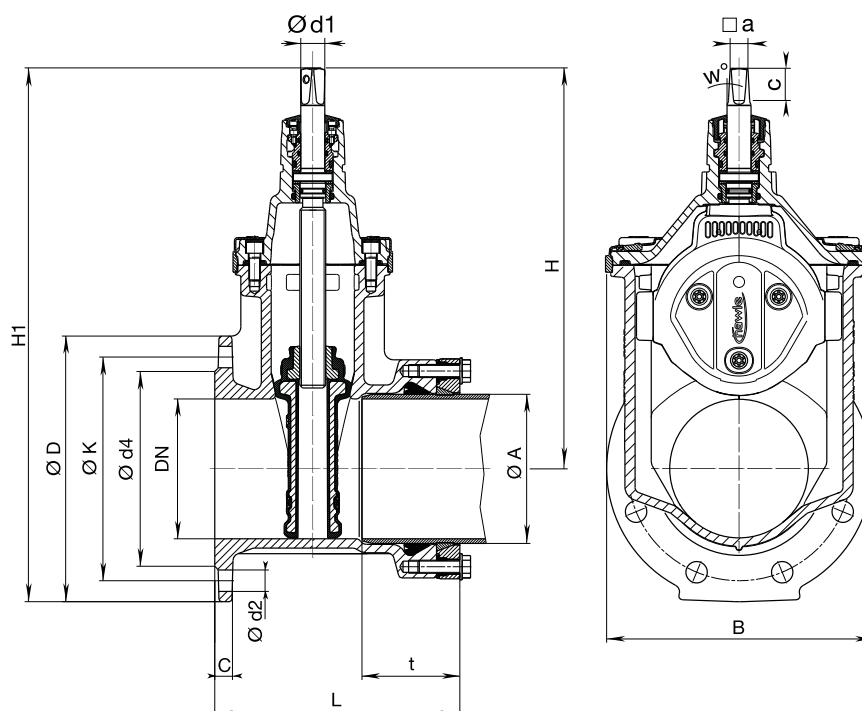
Materials

Body bonnet centering flange	<ul style="list-style-type: none"> • Ductile iron: EN-GJS-400-15 according to EN 1563 • Epoxy powder coated inside and outside: According to EN 14901 and DIN 3476-1 in due consideration of the RAL-GZ 662 quality and testing requirements: <ul style="list-style-type: none"> - coating thickness: min. 250 µm - zero porosity: min. 3000 V spark test - adhesion: min. 16 N/mm²
Wedge	<ul style="list-style-type: none"> • Ductile iron: EN-GJS-400-15 according to EN 1563 • DN 50: made of brass CuZn21Si3P with vulcanized elastomer all-over according to EN 681-1 • Wedge nut of non-ferrous metal flexible and fully linked to the wedge by vibration damping vulcanized elastomer
Wedge guide Sliding discs Centering ring	<p>POM</p>
Wedge nut	<ul style="list-style-type: none"> • Brass: CuZn21Si3P • Wedge nut thread length > 1,2 x spindle diameter.
Spindle	<ul style="list-style-type: none"> • Duplex stainless-steel spindle with rolled thread and flat-rolled anti-friction surface • non-rising spindle made of Duplex stainless steel 1.4162 (PREN value ~ 26) • spindle polished in the area of the O-ring sealing
O-ring carrier	<ul style="list-style-type: none"> • Brass CuZn40Pb2 • with double bayonet connection (DN 50 - DN 200)
O-rings bonnet gasket centering flange gasket lip seals wiper ring lip seal ring	<p>EPDM elastomer acc. to EN 681-1</p>
Covering cap Edge protection ring spacer bushes	<p>PE (Polyethylen)</p>
Grip ring	<p>made of brass CuZn49Pb2</p>

Nr. 4041E3

E3 gate valve, System 2000 - flange PN 10 I PN 16

PN 10 I PN 16



DN	PN	Weight	H	H1	t	L	B	ØA	Bolts		Flange			Spindle			
									Qty.	Thread	Ød	c	ØK	□a	c	w°	Ød1
DN50/D63	PN16	9.2	234	316	83	188	143	63	4	M 16	165	19	125	14,8	29,2	3	20,5
DN65/D75	PN16	14.8	305	397	85	205	180	75	4	M 16	185	19	145	17,3	33,8	3	24
DN80/D90	PN16	16.8	313	413	88	211	180	90	8	M 16	200	19	160	17,3	33,8	3	24
DN100/D110	PN16	21.5	343	453	88	221	213	110	8	M 16	220	19	180	19,3	37,2	3	24
DN100/D125	PN16	22	343	453	88	225	213	125	8	M 16	220	19	180	19,3	37,2	3	24
DN125/D140	PN16	32	421	546	96	239	285	140	8	M 16	250	19	210	19,3	34,9	3	26
DN150/D160	PN16	38	433	576	108	263	285	160	8	M 20	285	19	240	19,3	34,9	3	26
DN150/D180	PN16	40.4	433	576	118	276	285	180	8	M 20	285	19	240	19,3	34,9	3	26
DN200/D200	PN10	62.6	541	711	128	298	357	200	8	M 20	340	20	295	24,3	48	3	30
	12																
DN200/D225	PN10	65.1	541	711	130	298	357	225	8	M 20	340	20	295	24,3	48	3	30
	12																
DN250/D250	PN10	103.8	649	849	128	325	432	250	12	M 20	400	22	350	27,3	48	3	34
	PN16	103.6			130	335				M 24			355				
DN250/D280	PN10	103	649	849	128	325	432	280	12	M 20	400	22	350	27,3	48	3	34
	PN16	104.2			130	335				M 24			355				
DN300/D315	PN16	157.6	731	959	176	371	518	315	12	M 24	455	24,5	410	27,3	48	3	34
	PN10									M 20			400				