



INDICATIVE PRODUCT IMAGE

2.966,32 €

Product file

Code	RCMRKB4350608ED
Refrigerant	R452A
Application	LBP
Series	RCMRKB
Net weight	66 kg
Ped	1 (R454C / R455A) - 0 (Gr. Fl. 2)
Type	VENTILATED
Typology	Cubic

Evaporator

Fan-motors no.	4
Fan blade diameter	350 mm
Fan-motor type	EC external rotor
Fan-motor voltage	200-240/1/50-60
Max velocity	1600 rpm
Min velocity	850 rpm
Air throw (high velocity)	23 m
Air throw (low velocity)	20 m
Evaporator air flow (high velocity)	8907 m ³ /h
Evaporator air flow (low velocity)	5318 m ³ /h

Evaporator geometry

Geometry	37.5 X 32.475
Tube	TUBE 12
Rows	6
Finned pack length	1950 mm
Fine spacing	8.00 mm
Total surface	36.20 m ²
Circuit volume	14.30 dm ³

Absorptions

Power absorption (high velocity)	460 W
Power absorption (low velocity)	156 W
Current absorption (high velocity)	3.44 A
Current absorption (low velocity)	1.28 A
Number of heaters	5
Heaters voltage	400/3/50-60
Defrost	6700 W

Pipe fittings

Inlet connection	28 mm
Outlet connection	42 mm
Discharge connection	1" Gas (33mm)

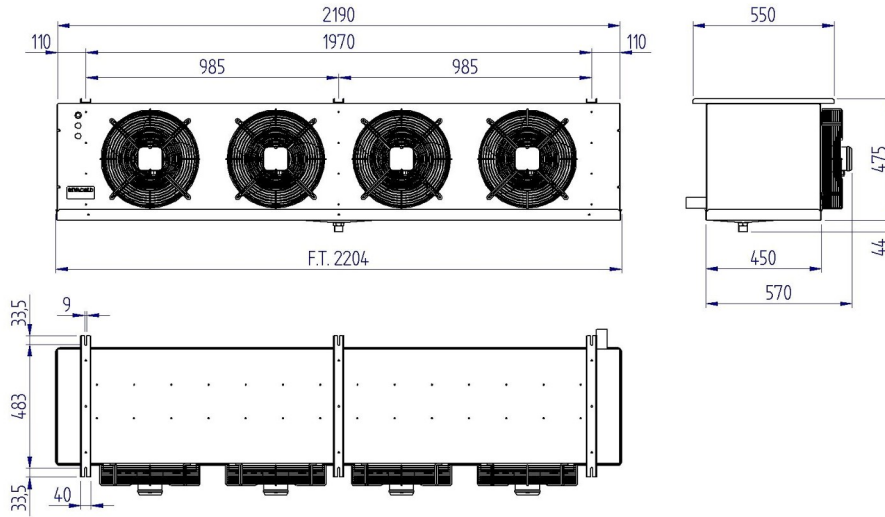
Refrigeration capacity table – RCMRKB4350608ED – Refrigerant: R452A

Cell temperature	ΔT	Capacity	Speed	Limitations
-40 °C	5 K	7316 W	High speed	Application outside the recommended range
-40 °C	6 K	8492 W	High speed	Application outside the recommended range
-40 °C	7 K	9570 W	High speed	Application outside the recommended range
-40 °C	8 K	10571 W	High speed	Application outside the recommended range
-40 °C	9 K	11440 W	High speed	Application outside the recommended range
-40 °C	10 K	12320 W	High speed	Application outside the recommended range
-35 °C	5 K	7711 W	High speed	-
-35 °C	6 K	9119 W	High speed	-
-35 °C	7 K	10384 W	High speed	-
-35 °C	8 K	11550 W	High speed	-
-35 °C	9 K	12540 W	High speed	-
-35 °C	10 K	13530 W	High speed	-
-30 °C	5 K	8074 W	High speed	-
-30 °C	6 K	9548 W	High speed	-
-30 °C	7 K	11110 W	High speed	-
-30 °C	8 K	12430 W	High speed	-
-30 °C	9 K	13640 W	High speed	-
-30 °C	10 K	14740 W	High speed	-
-25 °C	5 K	8360 W	High speed	-
-25 °C	6 K	9922 W	High speed	-
-25 °C	7 K	11440 W	High speed	-
-25 °C	8 K	12870 W	High speed	-
-25 °C	9 K	14410 W	High speed	-
-25 °C	10 K	15730 W	High speed	-
-20 °C	5 K	8636 W	High speed	-
-20 °C	6 K	10286 W	High speed	-
-20 °C	7 K	11880 W	High speed	-
-20 °C	8 K	13420 W	High speed	-
-20 °C	9 K	14960 W	High speed	-
-20 °C	10 K	16390 W	High speed	-
-15 °C	5 K	8976 W	High speed	-
-15 °C	6 K	10670 W	High speed	-
-15 °C	7 K	12320 W	High speed	-
-15 °C	8 K	13970 W	High speed	-
-15 °C	9 K	15510 W	High speed	-
-15 °C	10 K	17160 W	High speed	-
-10 °C	5 K	9416 W	High speed	-
-10 °C	6 K	11110 W	High speed	-
-10 °C	7 K	12760 W	High speed	-
-10 °C	8 K	14520 W	High speed	-
-10 °C	9 K	16170 W	High speed	-
-10 °C	10 K	17820 W	High speed	-
-5 °C	5 K	9999 W	High speed	-
-5 °C	6 K	11770 W	High speed	-
-5 °C	7 K	13420 W	High speed	-
-5 °C	8 K	15180 W	High speed	-
-5 °C	9 K	16940 W	High speed	-
-5 °C	10 K	18590 W	High speed	-
0 °C	5 K	10758 W	High speed	-

Cell temperature	ΔT	Capacity	Speed	Limitations
0 °C	6 K	12540 W	High speed	-
0 °C	7 K	14300 W	High speed	-
0 °C	8 K	16170 W	High speed	-
0 °C	9 K	17930 W	High speed	-
0 °C	10 K	19580 W	High speed	-
2 °C	5 K	10846 W	High speed	-
2 °C	6 K	12650 W	High speed	-
2 °C	7 K	14410 W	High speed	-
2 °C	8 K	16280 W	High speed	-
2 °C	9 K	18150 W	High speed	-
2 °C	10 K	19910 W	High speed	-
4 °C	5 K	11000 W	High speed	-
4 °C	6 K	12760 W	High speed	-
4 °C	7 K	14520 W	High speed	-
4 °C	8 K	16390 W	High speed	-
4 °C	9 K	18260 W	High speed	-
4 °C	10 K	20020 W	High speed	-

For refrigerants with high glide, the DeltaT at mid-point cannot be too low: there is a risk that the refrigerant outlet temperature, taking into account the necessary superheating, will be too close to the air inlet temperature; If this were to occur, the exchanger could not function.

Technical drawings – RCMRKB4350608ED





INDICATIVE PRODUCT IMAGE

• GENERAL FEATURES

- RCMR ø350 range unit coolers have been designed to be installed inside cold rooms suited for fresh and frozen goods storage
- This range completes the RC and RCS range applications and though having extremely compact dimensions, reaches bigger capacities suited for medium size cold rooms
- RCMR ø350 range is available in different combinations of fin spacing dimensions and tube rows properly sized according to the needed applications
- The RCMRKB range is supplied as standard with EC fan motors (Identified by the letter "B") and blade with special profile for combining higher efficiency and low absorption.
- Thermostat: system to be connected to the external contactor, to suspend the power supply to the defrosting heaters in the event of malfunction.
- The ED version is supplied with mounted defrosting heaters and is suitable for being used at low temperature applications
- The fan motors operate in the suction mode and prevent the condensate forming on the fan
- The coil is made of aluminium fins, 12 mm copper tube and a geometry of 37,5 x 32,5
- RCMR ø350 unit coolers can be classified in three groups according to the needed cold room temperature (Tc): 4mm fin spacing for a Tc from -5°C to +15°C; 6mm fin spacing for a Tc from -20°C to +15°C; 8mm fin spacing for a Tc from -40°C to +4°C.
- The coils are tested with nitrogen at a pressure of 25 bar.
- The fan motor models in use have the following features:
 - Manufactured following EN 60335-1 laws, with internal thermal protection
 - Fan diameter 350 mm, external rotor
 - Power supply 230-240V/1/50-60Hz
 - IP44 protection rate
 - F insulation class
 - operating temperature -40°C a +65°C
 - Electrics made in conformity with 2006/95/CE Low Tension directive
- The housing is made of aluminium
- The manufacturing solutions used give the housing strength and guarantee the absence of vibrations during the functioning.
- Screws, washers and nuts are made of stainless steel