



INDICATIVE PRODUCT IMAGE

2.966,32 €

Product file

Code	RCMRKB4350608ED
Refrigerant	R454C mid
Application	LBP
Series	RCMRKB
Net weight	66 kg
Ped	1 (R454C / R455A) - 0 (Gr. Fl. 2)
Type	VENTILATED
Typology	Cubic

Evaporator

Fan-motors no.	4
Fan blade diameter	350 mm
Fan-motor type	EC external rotor
Fan-motor voltage	200-240/1/50-60
Max velocity	1600 rpm
Min velocity	850 rpm
Air throw (high velocity)	23 m
Air throw (low velocity)	20 m
Evaporator air flow (high velocity)	8907 m ³ /h
Evaporator air flow (low velocity)	5318 m ³ /h

Evaporator geometry

Geometry	37.5 X 32.475
Tube	TUBE 12
Rows	6
Finned pack length	1950 mm
Fine spacing	8.00 mm
Total surface	36.20 m ²
Circuit volume	14.30 dm ³

Absorptions

Power absorption (high velocity)	460 W
Power absorption (low velocity)	156 W
Current absorption (high velocity)	3.44 A
Current absorption (low velocity)	1.28 A
Number of heaters	5
Heaters voltage	400/3/50-60
Defrost	6700 W

Pipe fittings

Inlet connection	28 mm
Outlet connection	42 mm
Discharge connection	1" Gas (33mm)

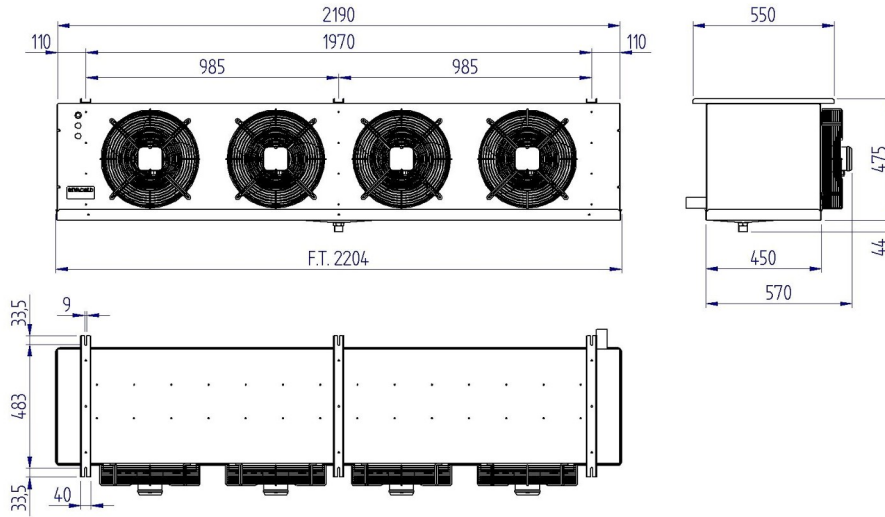
Refrigeration capacity table – RCMRKB4350608ED – Refrigerant: R454C mid

Cell temperature	ΔT	Capacity	Speed	Limitations
-40 °C	9 K	9464 W	High speed	Application outside the recommended range
-40 °C	10 K	10192 W	High speed	Application outside the recommended range
-40 °C	11 K	10920 W	High speed	Application outside the recommended range
-40 °C	12 K	11648 W	High speed	Application outside the recommended range
-40 °C	13 K	12376 W	High speed	Application outside the recommended range
-40 °C	14 K	13104 W	High speed	Application outside the recommended range
-40 °C	15 K	13832 W	High speed	Application outside the recommended range
-35 °C	9 K	10374 W	High speed	-
-35 °C	10 K	11193 W	High speed	-
-35 °C	11 K	12012 W	High speed	-
-35 °C	12 K	12831 W	High speed	-
-35 °C	13 K	13650 W	High speed	-
-35 °C	14 K	14469 W	High speed	-
-35 °C	15 K	15288 W	High speed	-
-30 °C	9 K	11284 W	High speed	-
-30 °C	10 K	12194 W	High speed	-
-30 °C	11 K	13104 W	High speed	-
-30 °C	12 K	14014 W	High speed	-
-30 °C	13 K	14924 W	High speed	-
-30 °C	14 K	15834 W	High speed	-
-30 °C	15 K	16744 W	High speed	-
-25 °C	9 K	11921 W	High speed	-
-25 °C	10 K	13013 W	High speed	-
-25 °C	11 K	14105 W	High speed	-
-25 °C	12 K	15197 W	High speed	-
-25 °C	13 K	16289 W	High speed	-
-25 °C	14 K	17381 W	High speed	-
-25 °C	15 K	18473 W	High speed	-
-20 °C	9 K	12376 W	High speed	-
-20 °C	10 K	13559 W	High speed	-
-20 °C	11 K	14742 W	High speed	-
-20 °C	12 K	15925 W	High speed	-
-20 °C	13 K	17108 W	High speed	-
-20 °C	14 K	18291 W	High speed	-
-20 °C	15 K	19474 W	High speed	-
-15 °C	9 K	12831 W	High speed	-
-15 °C	10 K	14196 W	High speed	-
-15 °C	11 K	15561 W	High speed	-
-15 °C	12 K	16926 W	High speed	-
-15 °C	13 K	18291 W	High speed	-
-15 °C	14 K	19656 W	High speed	-
-15 °C	15 K	21021 W	High speed	-
-10 °C	9 K	13377 W	High speed	-
-10 °C	10 K	14742 W	High speed	-
-10 °C	11 K	16107 W	High speed	-
-10 °C	12 K	17472 W	High speed	-
-10 °C	13 K	18837 W	High speed	-
-10 °C	14 K	20202 W	High speed	-
-10 °C	15 K	21567 W	High speed	-

Cell temperature	ΔT	Capacity	Speed	Limitations
-5 °C	9 K	14014 W	High speed	-
-5 °C	10 K	15379 W	High speed	-
-5 °C	11 K	16744 W	High speed	-
-5 °C	12 K	18109 W	High speed	-
-5 °C	13 K	19474 W	High speed	-
-5 °C	14 K	20839 W	High speed	-
-5 °C	15 K	22204 W	High speed	-
0 °C	9 K	14833 W	High speed	-
0 °C	10 K	16198 W	High speed	-
0 °C	11 K	17563 W	High speed	-
0 °C	12 K	18928 W	High speed	-
0 °C	13 K	20293 W	High speed	-
0 °C	14 K	21658 W	High speed	-
0 °C	15 K	23023 W	High speed	-
2 °C	9 K	15015 W	High speed	-
2 °C	10 K	16471 W	High speed	-
2 °C	11 K	17927 W	High speed	-
2 °C	12 K	19383 W	High speed	-
2 °C	13 K	20839 W	High speed	-
2 °C	14 K	22295 W	High speed	-
2 °C	15 K	23751 W	High speed	-
4 °C	9 K	15106 W	High speed	-
4 °C	10 K	16562 W	High speed	-
4 °C	11 K	18018 W	High speed	-
4 °C	12 K	19474 W	High speed	-
4 °C	13 K	20930 W	High speed	-
4 °C	14 K	22386 W	High speed	-
4 °C	15 K	23842 W	High speed	-

For refrigerants with high glide, the DeltaT at mid-point cannot be too low: there is a risk that the refrigerant outlet temperature, taking into account the necessary superheating, will be too close to the air inlet temperature; If this were to occur, the exchanger could not function.

Technical drawings – RCMRKB4350608ED





INDICATIVE PRODUCT IMAGE

• GENERAL FEATURES

- RCMR ø350 range unit coolers have been designed to be installed inside cold rooms suited for fresh and frozen goods storage
- This range completes the RC and RCS range applications and though having extremely compact dimensions, reaches bigger capacities suited for medium size cold rooms
- RCMR ø350 range is available in different combinations of fin spacing dimensions and tube rows properly sized according to the needed applications
- The RCMRKB range is supplied as standard with EC fan motors (Identified by the letter "B") and blade with special profile for combining higher efficiency and low absorption.
- Thermostat: system to be connected to the external contactor, to suspend the power supply to the defrosting heaters in the event of malfunction.
- The ED version is supplied with mounted defrosting heaters and is suitable for being used at low temperature applications
- The fan motors operate in the suction mode and prevent the condensate forming on the fan
- The coil is made of aluminium fins, 12 mm copper tube and a geometry of 37,5 x 32,5
- RCMR ø350 unit coolers can be classified in three groups according to the needed cold room temperature (Tc): 4mm fin spacing for a Tc from -5°C to +15°C; 6mm fin spacing for a Tc from -20°C to +15°C; 8mm fin spacing for a Tc from -40°C to +4°C.
- The coils are tested with nitrogen at a pressure of 25 bar.
- The fan motor models in use have the following features:
 - Manufactured following EN 60335-1 laws, with internal thermal protection
 - Fan diameter 350 mm, external rotor
 - Power supply 230-240V/1/50-60Hz
 - IP44 protection rate
 - F insulation class
 - operating temperature -40°C a +65°C
 - Electrics made in conformity with 2006/95/CE Low Tension directive
- The housing is made of aluminium
- The manufacturing solutions used give the housing strength and guarantee the absence of vibrations during the functioning.
- Screws, washers and nuts are made of stainless steel