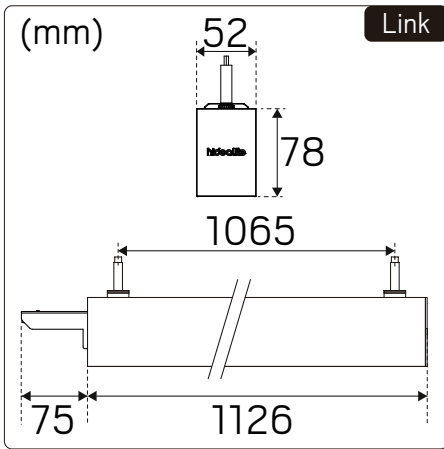
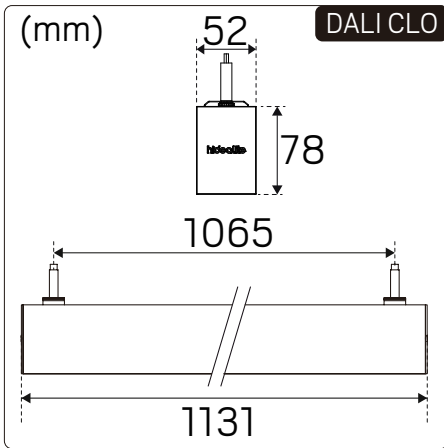
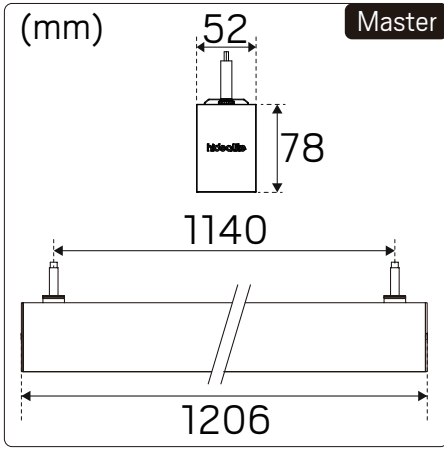
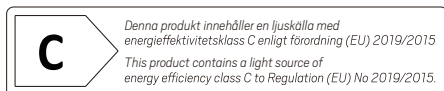
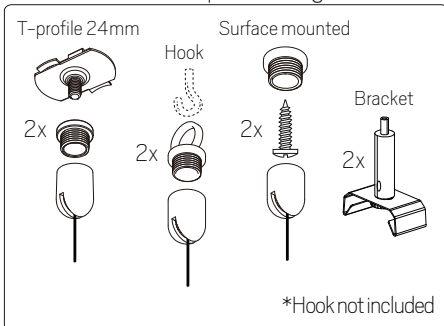


# Actor G2 Pendant



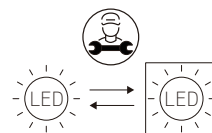
## Included in | Mounting kits



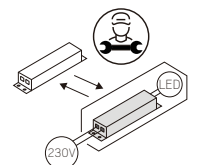
E-nr	Snro	ELnr	GTIN	Name	LED color	Color	Unit effect
7028456	4158722	3246691	7392971154541	Actor G2 Pendant DP Vit DIM I	3000K / 4000K	White	41W
7028457	4158723	3246692	7392971154558	Actor G2 Pendant DP Vit DIM II	3000K / 4000K	White	41W
7028458	4158724	3246693	7392971154565	Actor G2 Pendant DP Vit DIM I PIR	3000K / 4000K	White	41W-49W
7028459	4158725	3246694	7392971154572	Actor G2 Pendant DP Vit PIR	3000K / 4000K	White	41W-49W
7028460	4158726	3246695	7392971154589	Actor G2 Pendant DP Vit Casambi PIR	3000K / 4000K	White	41W-49W
7028461	4158727	3246696	7392971154596	Actor G2 Pendant DP Vit DALI CLO	3000K / 4000K	White	41W-49W
7028462	4158728	3246697	7392971154602	Actor G2 Pendant DP Vit DIM I LINK	3000K / 4000K	White	41W
7028463	4158729	3246698	7392971154619	Actor G2 Pendant DP Vit DALI/PIR LINK	3000K / 4000K	White	41W-49W
7028464	4158730	3246699	7392971154626	Actor G2 Pendant DP Svart DIM I	3000K / 4000K	Black	41W
7028465	4158731	3246700	7392971154633	Actor G2 Pendant DP Svart DIM II	3000K / 4000K	Black	41W
7028466	4158732	3246701	7392971154640	Actor G2 Pendant DP Svart DIM I PIR	3000K / 4000K	Black	41W-49W
7028467	4158733	3246702	7392971154657	Actor G2 Pendant DP Svart PIR	3000K / 4000K	Black	41W-49W
7028468	4158734	3246703	7392971154664	Actor G2 Pendant DP Svart Casambi PIR	3000K / 4000K	Black	41W-49W
7028469	4158735	3246704	7392971154671	Actor G2 Pendant DP Svart DALI CLO	3000K / 4000K	Black	41W-49W
7028470	4158736	3246705	7392971154688	Actor G2 Pendant DP Svart DIM I LINK	3000K / 4000K	Black	41W
7028471	4158737	3246706	7392971154695	Actor G2 Pendant DP Svart DALI/PIR LINK	3000K / 4000K	Black	41W-49W
7028472	4158738	3246707	7392971154701	Actor G2 Pendant MP Vit DIM I	3000K / 4000K	White	41W
7028473	4158739	3246708	7392971154718	Actor G2 Pendant MP Vit DIM II	3000K / 4000K	White	41W
7028474	4158740	3246709	7392971154725	Actor G2 Pendant MP Vit DIM I PIR	3000K / 4000K	White	41W-49W
7028475	4158741	3246710	7392971154732	Actor G2 Pendant MP Vit PIR	3000K / 4000K	White	41W-49W
7028476	4158742	3246711	7392971154749	Actor G2 Pendant MP Vit Casambi PIR	3000K / 4000K	White	41W-49W
7028477	4158743	3246712	7392971154756	Actor G2 Pendant MP Vit DALI CLO	3000K / 4000K	White	41W-49W
7028478	4158744	3246713	7392971154763	Actor G2 Pendant MP Vit DIM I LINK	3000K / 4000K	White	41W
7028479	4158745	3246714	7392971154770	Actor G2 Pendant MP Vit DALI/PIR LINK	3000K / 4000K	White	41W-49W
7028480	4158746	3246715	7392971154787	Actor G2 Pendant MP Svart DIM I	3000K / 4000K	Black	41W
7028481	4158747	3246716	7392971154794	Actor G2 Pendant MP Svart DIM II	3000K / 4000K	Black	41W
7028482	4158748	3246717	7392971154800	Actor G2 Pendant MP Svart DIM I PIR	3000K / 4000K	Black	41W-49W
7028483	4158749	3246718	7392971154817	Actor G2 Pendant MP Svart PIR	3000K / 4000K	Black	41W-49W
7028484	4158750	3246719	7392971154824	Actor G2 Pendant MP Svart Casambi PIR	3000K / 4000K	Black	41W-49W
7028485	4158751	3246720	7392971154831	Actor G2 Pendant MP Svart DALI CLO	3000K / 4000K	Black	41W-49W
7028486	4158752	3246721	7392971154848	Actor G2 Pendant MP Svart DIM I LINK	3000K / 4000K	Black	41W
7028487	4158753	3246722	7392971154855	Actor G2 Pendant MP Svart DALI/PIR LINK	3000K / 4000K	Black	41W-49W
7028488	4158754	3246723	7392971154862	Actor G2 Pendant OP Vit DIM I	3000K / 4000K	White	41W
7028489	4158755	3246724	7392971154879	Actor G2 Pendant OP Vit DIM II	3000K / 4000K	White	41W
7028490	4158756	3246725	7392971154886	Actor G2 Pendant OP Vit DIM I PIR	3000K / 4000K	White	41W-49W
7028491	4158757	3246726	7392971154893	Actor G2 Pendant OP Vit PIR	3000K / 4000K	White	41W-49W
7028492	4158758	3246727	7392971154909	Actor G2 Pendant OP Vit Casambi PIR	3000K / 4000K	White	41W-49W
7028493	4158759	3246728	7392971154916	Actor G2 Pendant OP Vit DALI CLO	3000K / 4000K	White	41W-49W
7028494	4158760	3246729	7392971154923	Actor G2 Pendant OP Vit DIM I LINK	3000K / 4000K	White	41W
7028495	4158761	3246730	7392971154930	Actor G2 Pendant OP Vit DALI/PIR LINK	3000K / 4000K	White	41W-49W
7028496	4158762	3246731	7392971154947	Actor G2 Pendant OP Svart DIM I	3000K / 4000K	Black	41W
7028497	4158763	3246732	7392971154954	Actor G2 Pendant OP Svart DIM II	3000K / 4000K	Black	41W
7028498	4158764	3246733	7392971154961	Actor G2 Pendant OP Svart DIM I PIR	3000K / 4000K	Black	41W-49W
7028499	4158765	3246734	7392971154978	Actor G2 Pendant OP Svart PIR	3000K / 4000K	Black	41W-49W
7028500	4158766	3246735	7392971154985	Actor G2 Pendant OP Svart Casambi PIR	3000K / 4000K	Black	41W-49W
7028501	4158767	3246736	7392971154992	Actor G2 Pendant OP Svart DALI CLO	3000K / 4000K	Black	41W-49W
7028502	4158768	3246737	7392971155005	Actor G2 Pendant OP Svart DIM I LINK	3000K / 4000K	Black	41W
7028503	4158769	3246738	7392971155012	Actor G2 Pendant OP Svart DALI/PIR LINK	3000K / 4000K	Black	41W-49W
7029083	4158880	3246262	7392971154374	Actor G2 Pendant DP Vit DIM II LINK	3000K / 4000K	White	41W
7029084	4158881	3246263	7392971154381	Actor G2 Pendant DP Svart DIM II LINK	3000K / 4000K	Black	41W
7029085	4158882	3246264	7392971154398	Actor G2 Pendant MP Vit DIM II LINK	3000K / 4000K	White	41W
7029086	4158883	3246265	7392971154404	Actor G2 Pendant MP Svart DIM II LINK	3000K / 4000K	Black	41W
7029087	4158884	3246266	7392971154411	Actor G2 Pendant OP Vit DIM II LINK	3000K / 4000K	White	41W
7029088	4158885	3247031	7392971154428	Actor G2 Pendant OP Svart DIM II LINK	3000K / 4000K	Black	41W



We focus on sustainability using replaceable LEDs and drivers, luminaires built for the future!



Replaceable (LED only) light source by a professional



Replaceable control gear by a professional

## SAFETY INSTRUCTIONS

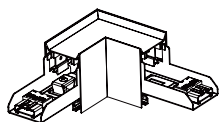
- en** Read these instructions carefully before commencing installation and retain for future reference. The luminaire should be installed by a licen-sed electrician and in accordance with local regulations. Make sure that the power is off before installation or maintenance.
- sv** Läs dessa instruktioner före installationen påbörjas och lämna den vidare till brukaren av anläggningen. Armaturen skall installeras av behörig installatör och enligt gällande föreskrifter. Se till att spänningen är frånslagen före installation eller underhåll.
- fi** Lue nämä ohjeet ennen asentamista ja luovuta ohjeet valaisimen seuraavalle käyttäjälle. Valaisimen saa asentaa valtuutettu asentaja voimas-sa olevien määräysten mukaisesti. Varmista, että jännite on kytketty päältä ennen asennusta ja huoltoa.
- no** Les disse instruksjonene før du starter installeringen, og gi den deretter videre til anleggets bruker. Armaturen skal installeres av en godkjentinstallatør og i henhold til gjeldende lover og regler. Sørg for at strømmen er koblet fra før installering og ved vedlikehold.
- da** Læs denne vejledning omhyggeligt, før installationen udføres og gem den til fremtidig brug. Armaturet skal installeres af en autoriseret instal-latør i henhold til gældende love og regler. Sørg strømmen er afbrudt før installation og vedligeholdelse.
- de** Lesen Sie diese Anweisungen sorgfältig bevor Sie mit der Installation beginnen und bewahren Sie sie für späteres Nachschlagen auf. Dieses Leuchtmittel muss durch einen lizenzierten Elektriker im Einklang mit den örtlichen Vorschriften installiert werden. Stellen Sie vor Installati-ons- oder Wartungsarbeiten sicher, dass keine Spannung mehr anliegt.
- pl** Przed przystąpieniem do instalacji należy się uważnie zapoznać z instrukcją i zachować ją na przyszłość. Oprawę oświetleniową powinien zainstalować u prawniony elektryk zgodnie z miejscowymi przepisami. Przed instalacją lub konserwacją wyłączyć zasilanie.
- fr** Lisez attentivement ces consignes avant de commencer l'installation. Pensez également à vous y reporter ultérieurement. Le luminaire doit être installé par un électricien agréé, conformément à la réglementation locale. Veuillez à couper le courant avant l'installation et toute opération de maintenance.

### Constant Lighting Output 100,000 Hours Setting

### Actor G2 DALI CLO OP/MP/DP White/Black

Working hours	Luminous flux maintenance rate (LED chips)	Corresponded (mA)	Power Watt
Ohrs	100%	850mA	41W
50000hrs	90%	935mA	44W
100000hrs	80%	1020mA	49W

### Accessories

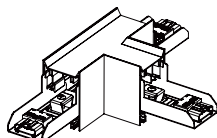


Actor G2 LINK L White

E-nr: 70 287 17  
Snro: 41 587 70  
El.nr: 32 467 39  
GTIN:7392971155029

Actor G2 LINK L Black

E-nr: 70 287 18  
Snro: 41 586 88  
El.nr: 32 462 56  
GTIN:7392971156156

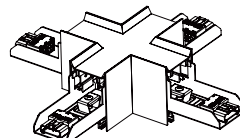


Actor G2 LINK T White

E-nr: 70 287 19  
Snro: 41 587 71  
El.nr: 32 467 40  
GTIN:7392971155036

Actor G2 LINK T Black

E-nr: 70 287 20  
Snro: 41 586 89  
El.nr: 32 462 57  
GTIN:7392971156170

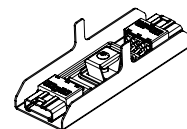


Actor G2 LINK X White

E-nr: 70 287 21  
Snro: 41 587 72  
El.nr: 32 467 41  
GTIN:7392971155043

Actor G2 LINK X Black

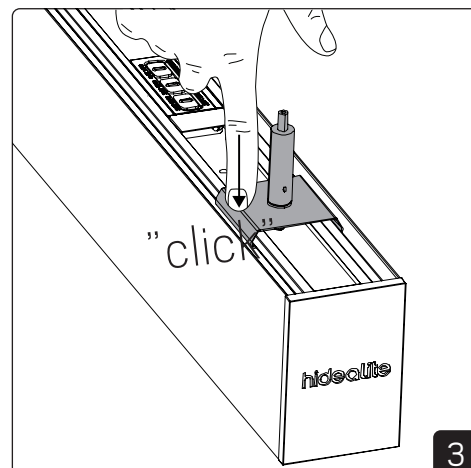
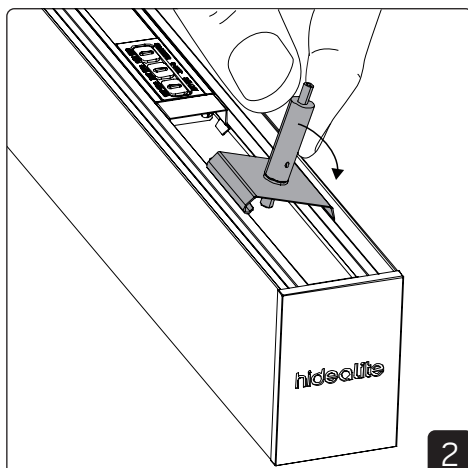
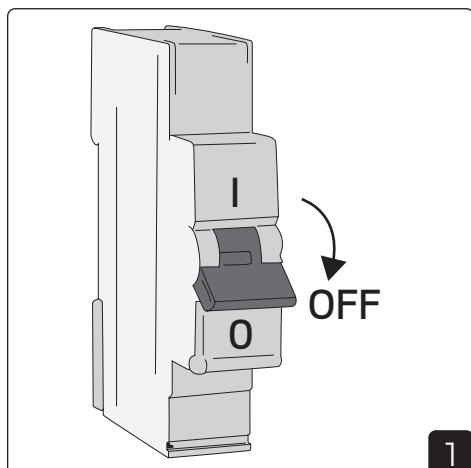
E-nr: 70 287 22  
Snro: 41 586 90  
El.nr: 32 462 58  
GTIN:7392971156194

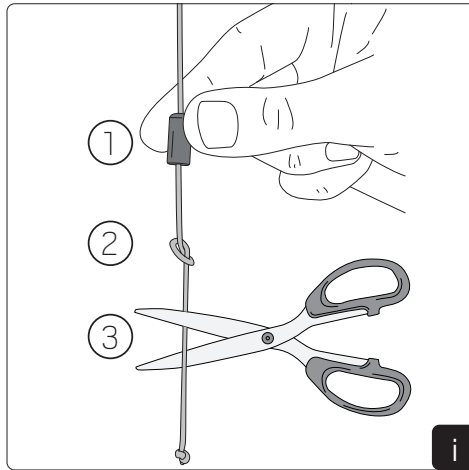
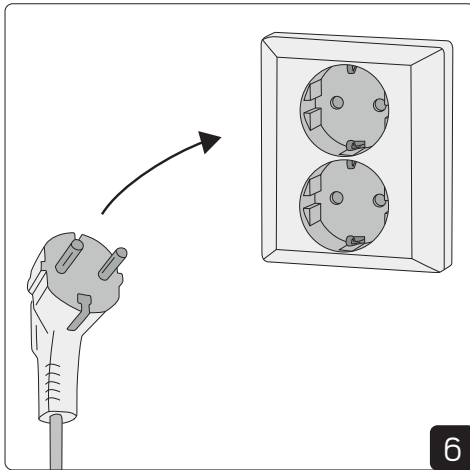
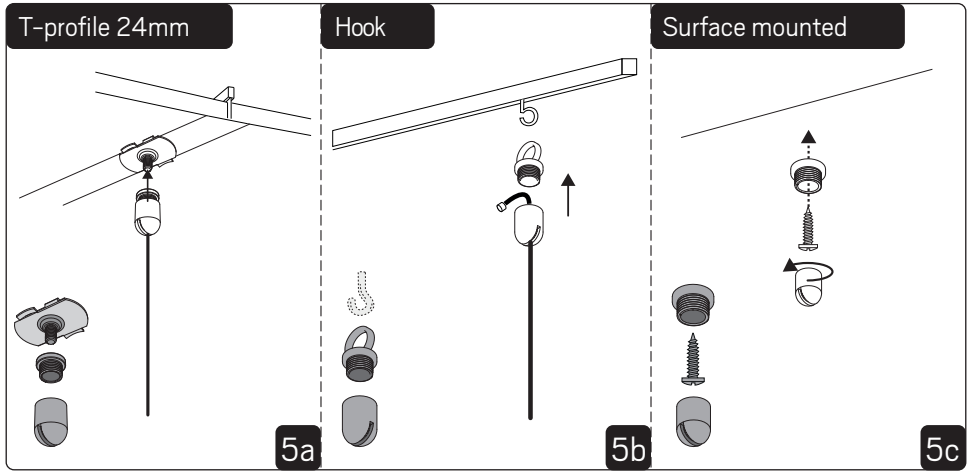
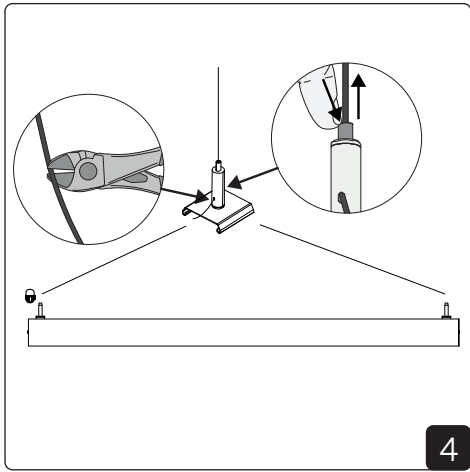


Actor G2 LINK Ceiling Connector

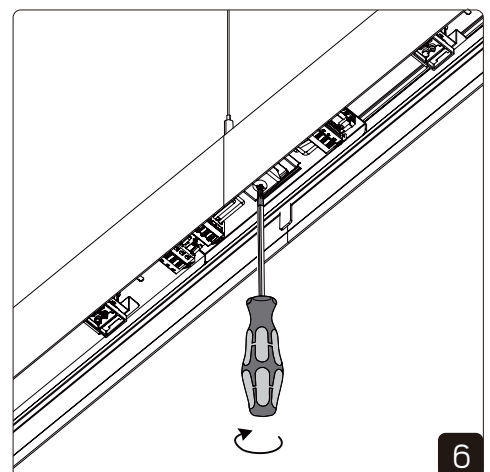
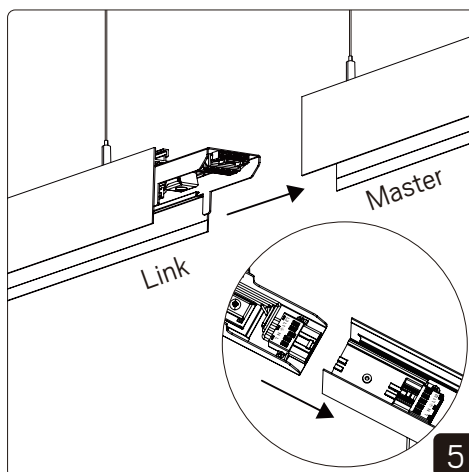
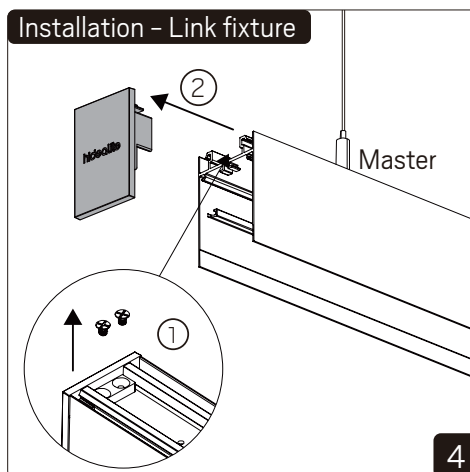
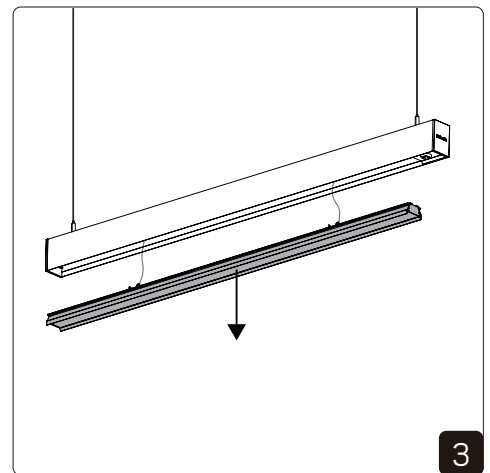
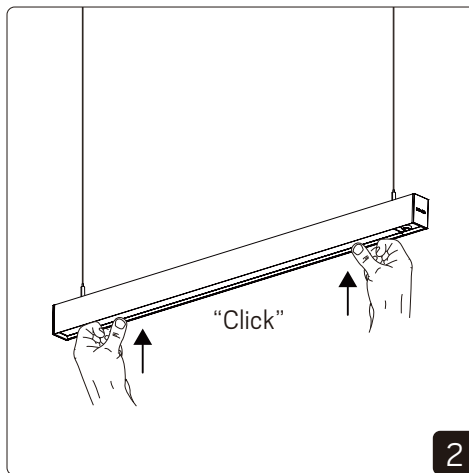
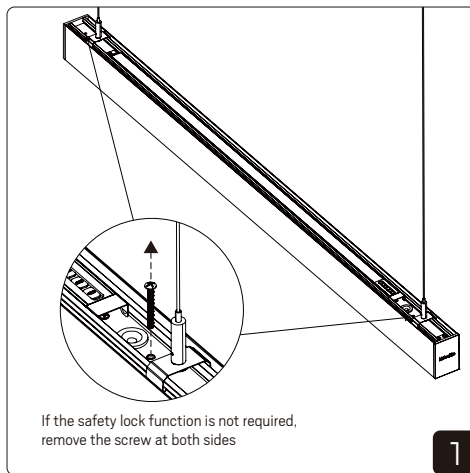
E-nr: 70 285 07  
Snro: 41 587 73  
El.nr: 32 467 42  
GTIN:7392971155050

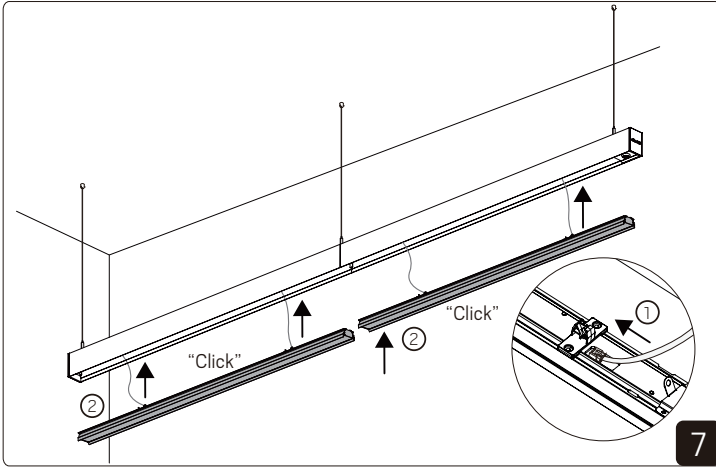
### Installation



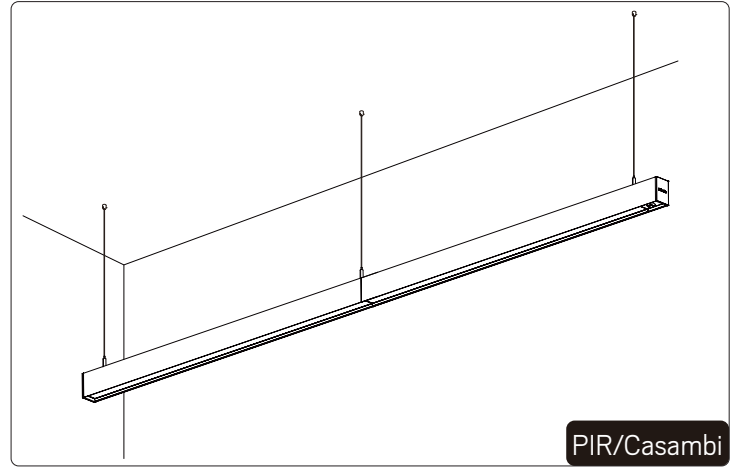


**Installation**

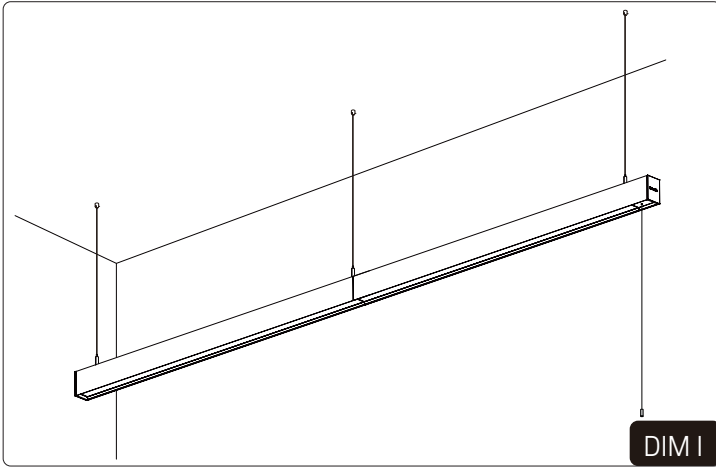




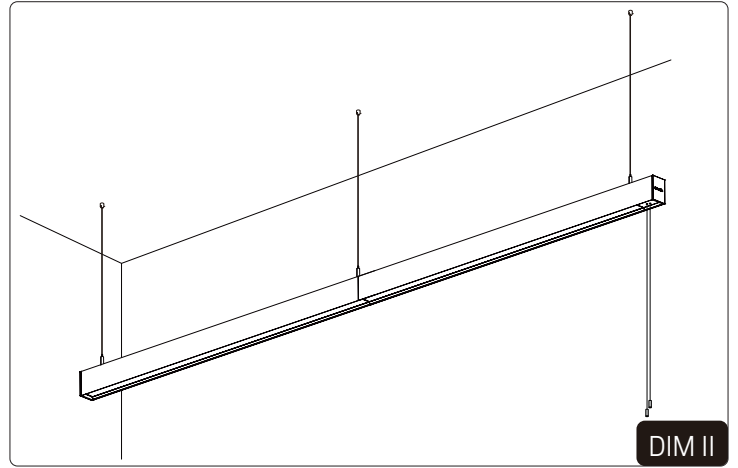
7



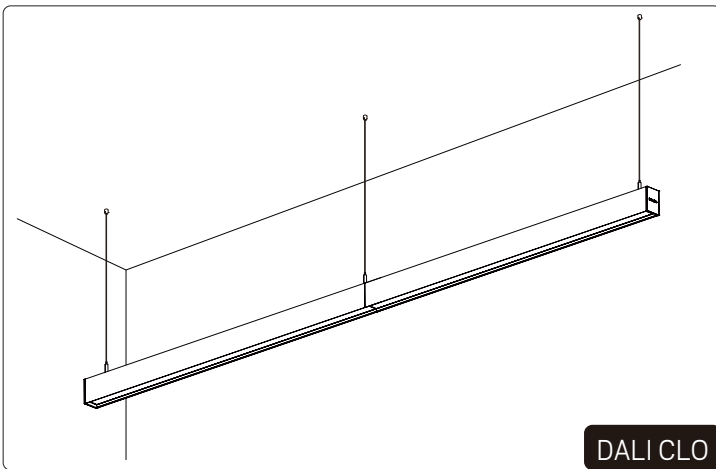
PIR/Casambi



DIM I



DIM II



DALI CLO

**DALI**  
 Brown - L  
 Blue - N  
 Yellow -   
 Black - Da2-  
 White - Da1+

---

**Push 230V**  
 Brown - L  
 Blue - N  
 Yellow -   
 Black - Ls  
 White - N

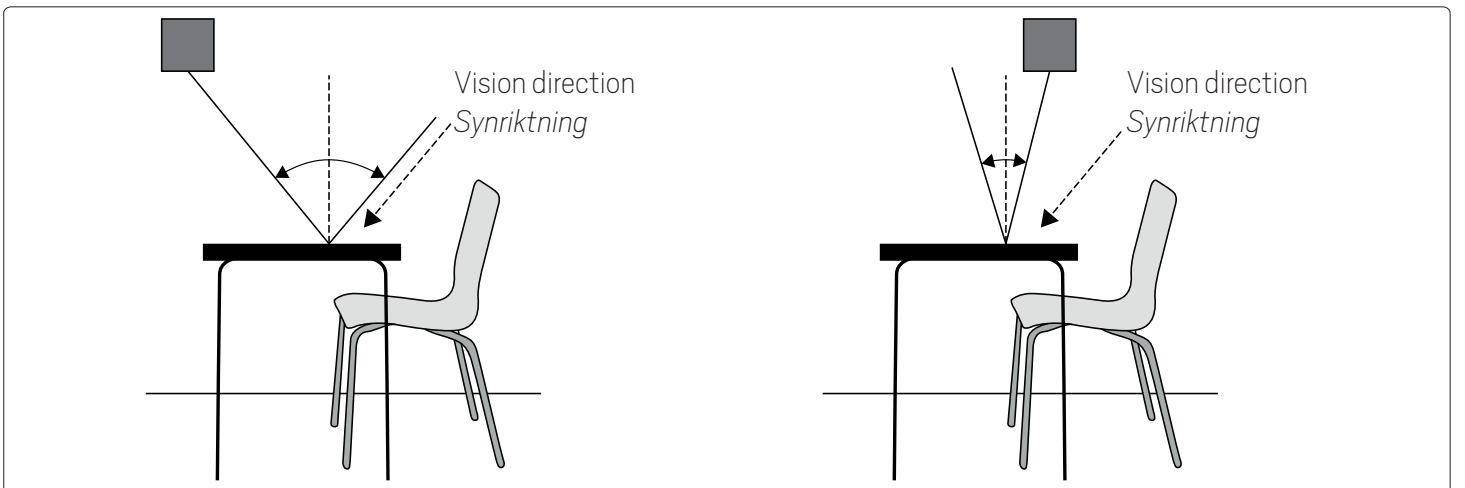
Below in the number of link light that can be connected to a master.

Article Name	Numbers of link
Actor G2 Pendant White/Black Casambi PIR	5PCS
Actor G2 Pendant White/Black DALI/CLO	15PCS
* Actor G2 Pendant White/Black DIM I LINK	15PCS
* Actor G2 Pendant White/Black DIM II LINK	15PCS
Actor G2 Pendant White/Black DALI/PIR LINK	15PCS

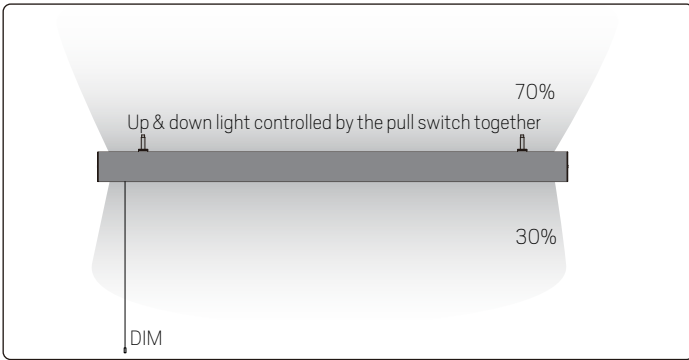
\* After connecting the master and link lights of DIM I / DIM II, pull the pull cord for 10-15 seconds to ensure synchronization between the master and link lights.

i

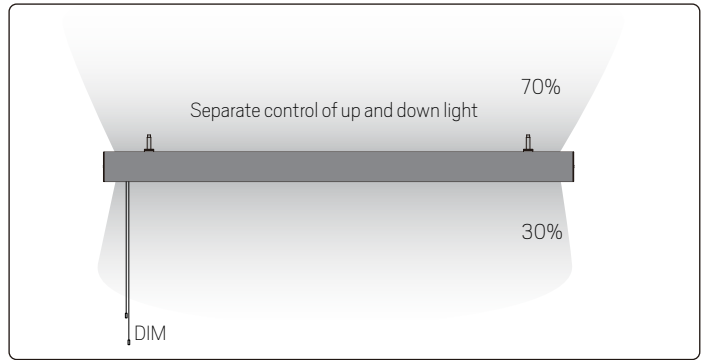
**Fixture placement**



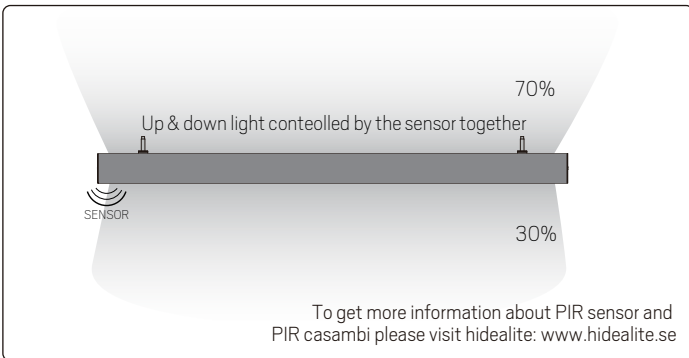
### Actor G2 Pendant DIM I



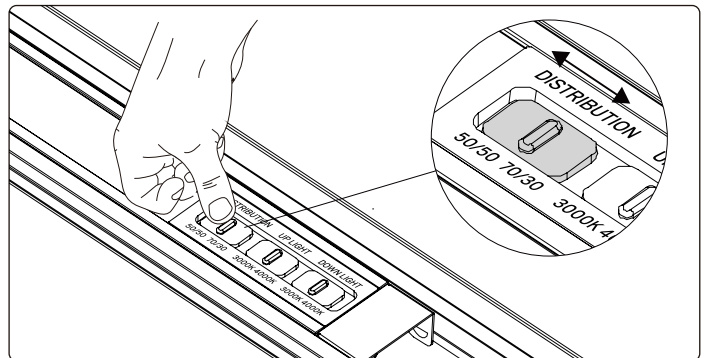
### Actor G2 Pendant DIM II



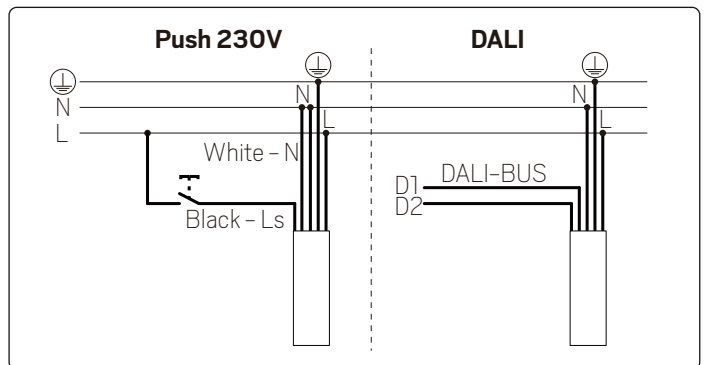
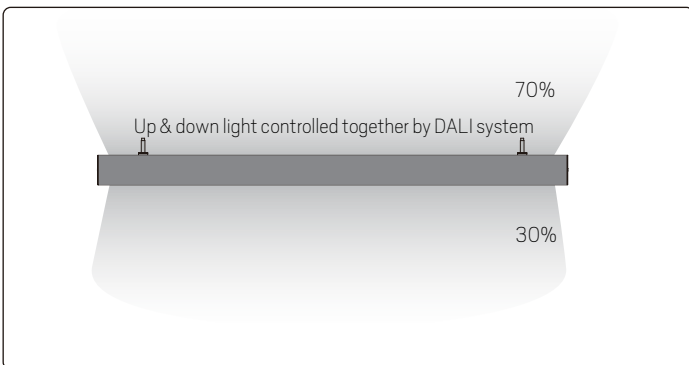
### Actor G2 Pendant PIR/Casambi



### Light distribution DIP



### Actor G2 Pendant DALI



### Actor Pendant DP Sensor - Settings

When using pull Dim

Short press (>50–600 ms):	ON/OFF
Long press (>600 ms):	Dim up/down A change in the light value deactivates lighting regulation only temporarily. As soon as the luminaire has been automatically switched on again (motion detection) or manually switched off and on again, regulation is activated again.
2 x short press:	The overwritten setpoint light value is stored (luminaire acknowledges by flashing twice) Function is lockable via the DSI programmer

User-definable parameters

HCD 038 + HIR17 have the following user-definable parameters:

The values in parentheses are the factory default settings.

The adjustable values for the HCD 038 + HIR17 Programmer is available in a separately documentation on [www.hytronik.com](http://www.hytronik.com).

**Remote control can be ordered, Hytronik artnr. HRC-11**

Settings (Remote Control HRC-11, for HIR17 & HIR17/R)

**ON/OFF** Permanent ON/OFF function

Press button “ON/OFF” to select permanent ON or permanent OFF mode.

\* Press button “AUTO”, “RESET” or “Ambient” to quit this mode.

The mode will change to AUTO Mode after power failure.

**RESET** Reset Settings

Press button “RESET”, all settings go back to default values (Tri-level Control mode).

Detection range: 100%; Hold-time: 5min; Stand-by period: 10min;

Stand-by dimming level: 10%; Lux disabled

**Shift** Shift Button

Press button “Shift”, the LED on the top left corner is on to indicate function mode selection.

All values / settings in RED are valid for 20 seconds.

**SEMI-AUTO**  
**AUTO** AUTO mode

Press button “AUTO” to initiate automatic mode. The sensor starts working and all settings remain as before the light is switched ON/OFF.

*Note: To initiate automatic mode under semi-auto mode, please press button “RESET” first.*

**SEMI-AUTO**  
**AUTO** SEMI-AUTO mode

1. Press button “Shift”, the red LED flashes for indication.
2. Press button “SEMI-AUTO/AUTO” to initiate semi-auto mode. The fixture is manually turned on by pressing the push-switch, and goes off automatically after stand-by time. (Absence detection mode)

**Sensor off** **Twilight** Power output (Factory settings 80%)

Press the buttons to select light output at 80% (at initial 10,000 hours) or 100%.

**Sensor off** **Twilight** Sensor off & Twilight

Press button “Shift”, the red LED is on for indication. Press button “Twilight”, the function of motion detection is disabled. The function of photocell is still working, and the product becomes a pure dusk / dawn daylight sensor. Press button “Sensor off”, the function of motion detection is disabled. The function of photocell is also disabled.

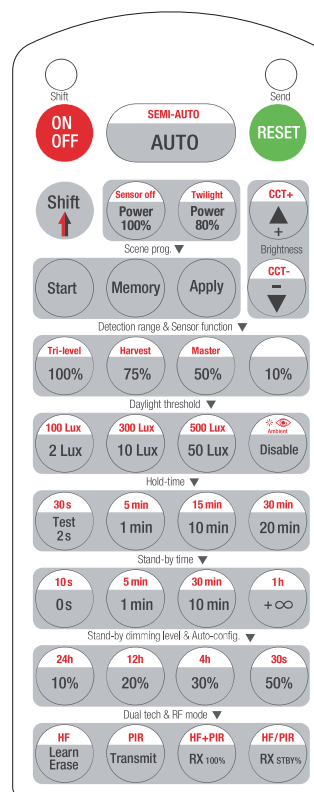
**Tri-level** **Harvest** Switching between Tri-level and Daylight Harvest

Press button “Shift”, the red LED is on for indication. Then press “Tri-level” or “Harvest” to switch.

**CCT+** **CCT-** Brightness +/-

For Tri-level control, press these two buttons to adjust the light output brightness. Press button “Shift”, the red LED is on for indication. Press these two buttons to adjust the light output colour temperature.

For Daylight Harvest, press these two buttons to adjust the light output brightness and set a new target lux level. The daylight sensor can measure ambient daylight level and ignore the LED light, so as to calculate how much artificial light is needed to maintain the target lux level. Press button “Shift”, the red LED is on for indication. Press these two buttons to adjust the light output colour temperature.



HRC-11



### Scene program - 1-key commissioning

1. Press button "Start" to program.
2. Select the buttons in "Detection range", "Daylight threshold", "Hold-time", "Stand-by time", "Stand-by dimming level" to set all parameters.
3. Press button "Memory" to save all the settings programmed in the remote control.
4. Press button "Apply" to set the settings to each sensor unit(s).

*For example, to set detection range 100%, daylight threshold Disable, hold-time 5min, stand-by time +∞, stand-by dimming level 30%, the steps should be: Press button "Start", button "100%", "Disable", "Shift", "5min", "Shift", "+∞", "30%", "Memory". By pointing to the sensor unit(s) and pressing "Apply", all settings are passed on the sensor(s).*

#### Detection range

All buttons in this zone are disabled.

#### Daylight threshold (Factory settings 500Lux)

Press buttons in zone "Daylight threshold" to set daylight sensor at 2Lux / 10Lux / 50Lux / 100Lux / 300Lux / 500Lux / Disable.

*Note: To set daylight sensor at 100Lux / 300Lux / 500Lux, press "Shift" button first.*

#### Ambient daylight threshold

1. Press button "Shift", the red LED starts to flash.
2. Press button "Ambient", the surrounding lux level is sampled and set as the new daylight threshold.

#### Hold-time

Press buttons in zone "hold-time" to set the hold-time at 2s / 30s / 1min / 5min / 10min / 15min / 20min / 30min.

*Note: 1. To set hold-time at 30s / 5min / 15min / 30min, press "Shift" button first.*

*2. 2s is for testing purpose only, stand-by period and daylight sensor settings are disabled in this mode.*

\*To exit from Test mode, press button "RESET" or any button in "Hold-time".

#### Stand-by time (corridor function) (Factory settings 0s)

Press buttons in zone "stand-by time" to set the stand-by period at 0s / 10s / 1min / 5min / 10min / 30min / 1h / +∞.

*Note: "0s" means on/off control; "+∞" means the stand-by time is infinite and the fixture never switches off.*

#### Stand-by dimming level

Press the button in zone "stand-by dimming level" to set the stand-by dimming level at 10% / 20% / 30% / 50%.

#### Auto-configuration function

This is a function for Daylight Harvest mode, select a time period and the sensor will do light level measurement and determine / save the lowest light level (commission line) with 100% on, so as to automatically set the target lux level for daylight harvesting.

For Tri-level Control, All buttons in this zone are disabled.

#### Dual tech & RF mode

All buttons in this zone are disabled.

## Additional Information / Documents

1. Regarding precautions for PIR sensor installation and operation, please kindly refer to [www.hytronik.com/download ->knowledge ->PIR Sensors - Precautions for Product Installation and Operation](http://www.hytronik.com/download->knowledge->PIR%20Sensors%20-%20Precautions%20for%20Product%20Installation%20and%20Operation)
2. Regarding precautions for Photodiode/Photocell Usages, please kindly refer to [www.hytronik.com/download ->knowledge ->Precautions for Photodiode/Photocell Usages](http://www.hytronik.com/download->knowledge->Precautions%20for%20Photodiode/Photocell%20Usages)
3. Data sheet is subject to change without notice. Please always refer to the most recent release on [www.hytronik.com/products/Motion Sensors ->Built-in HF Sensor](http://www.hytronik.com/products/Motion%20Sensors->Built-in%20HF%20Sensor)
4. Regarding Hytronik standard guarantee policy, please refer to [www.hytronik.com/download ->knowledge ->Hytronik Standard Guarantee Policy](http://www.hytronik.com/download->knowledge->Hytronik%20Standard%20Guarantee%20Policy)

## 1. Download app

- 1.1. Search for casambi through App Store on Apple's mobile phone to download it, Android phone can download from below link  
<https://app.casambi.com/app>
- 1.2. Remark for Android syst: 1. Android must be Android 8.0 or Later;  
 1.3. 2. Bluetooth 4.0 support;



Casambi App for Android

Casambi\_3.13.1\_2024\_04\_11.apk [prod]

**Minimum Requirements**

- Android 8.0 or Later
- Bluetooth 4.0 support

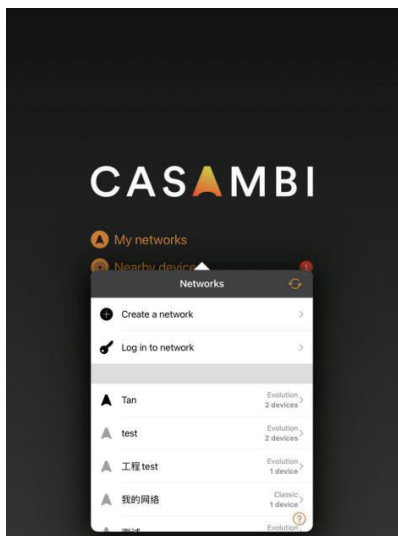
**Recommended Requirements**

- Android 12.0 or Later
- Bluetooth 4.0 support

**Installation**

1. Download the .apk with mobile browser
2. Open and install from 'Downloads'

2.2. Click "My Network" to create a regular network

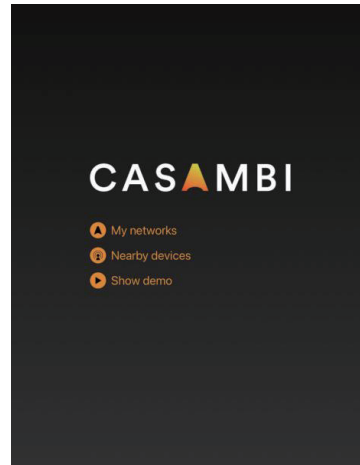


2.4. Add complete;

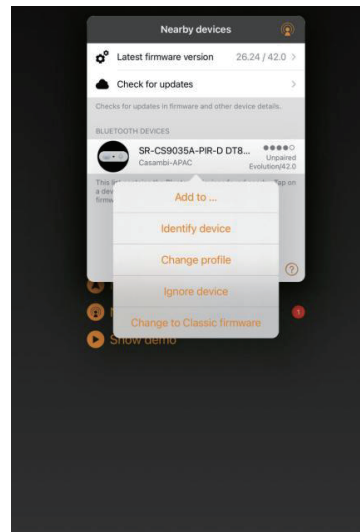


## 2. Add Device

2.1. After the device is connected and powered on, the following interface appears:



2.3. After the network is created, click "Nearby Devices" to add it to the newly created network



## 3. App control

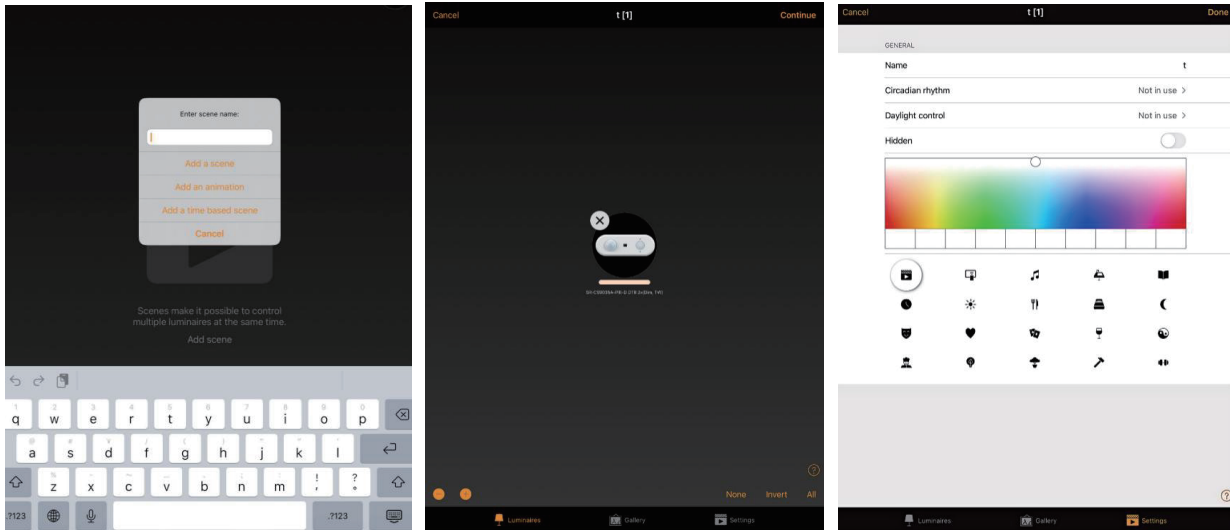
### 3.1. Single lamp control

- 3.1.1 After adding, click sensor to switch the up and down lamps simultaneously,
- 3.1.2 Long press sensor, can separately control the brightness and CCT of the up and down lamps;

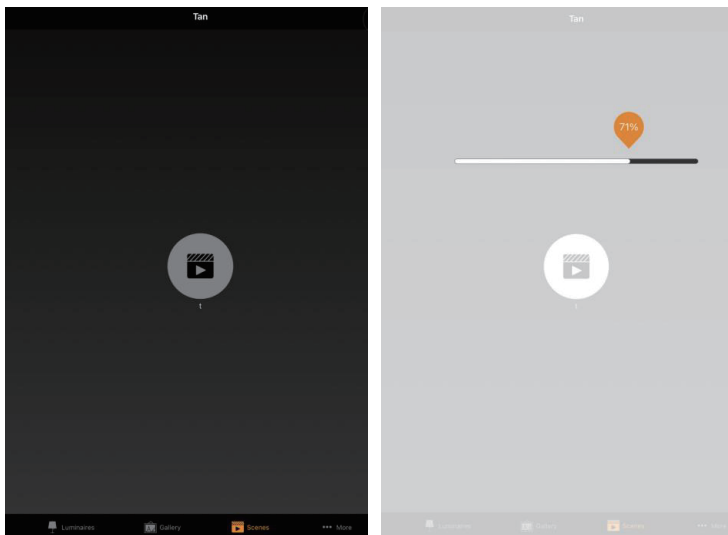


### 3.2. Production scene

3.2.1 Click the scene below - Click Add Scene - Set the scene name(Custom) - Select the device - Click Finish



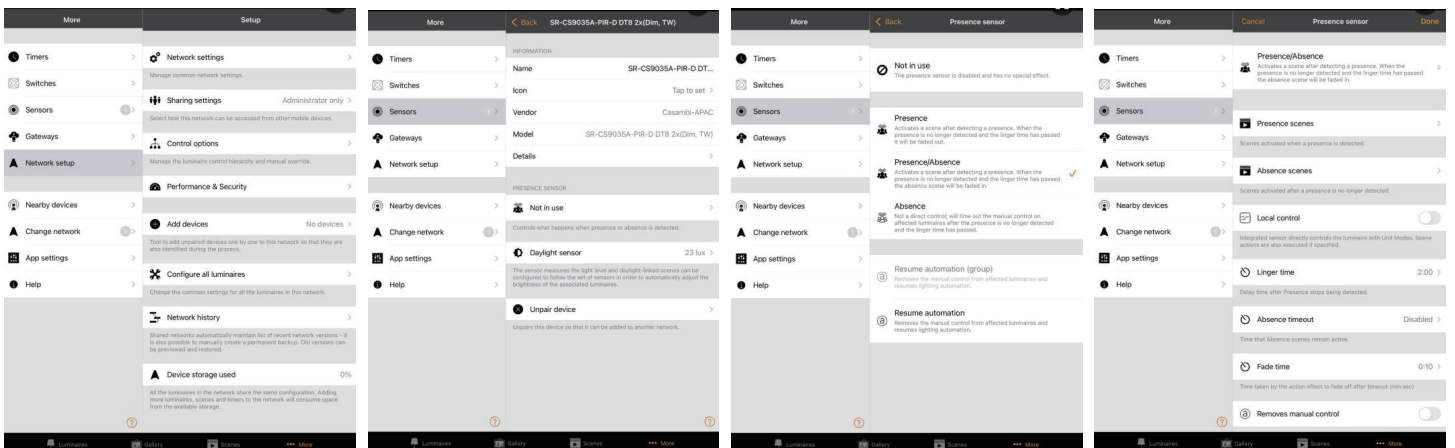
3.2.2 Scene control: Click once to turn on the scene - Click the second time to turn off the scene (the default is to turn off the lamp)- Long press the scene to adjust the brightness of the devices in the scene(All devices in the scenario can be adjusted)



## 4. Pir sensor

### 4.1. Pir sensor selected:

Select more below - Network Settings - Select sensors - Click sensor - Presence sensor - Select presence sensor(presence/absence)



## 4.2.Remark:

4.2.1.After selecting the corresponding function, presence/absence scene corresponds to the scene made before;

4.2.2. Local control off (the push switch function on the lamp is not affected, and can be enabled when adding Casambi panel);

4.2.3. Delay time: the length of time for maintaining the brightness of the light after the sensor senses the person:

4.2.4. Absence scene overtime: When absence scene set the custom brightness (when the lamp is not turned off), you can select to enable it (After enabling the custom time, it will be turned off if absence is detected within the defined time); When absence scene set to turn off the lamp, absence overtime will not be enabled:

4.2.5. Intensity change time: (the time required for the lamp on/of, for example: set 10s, the lamp will slowly close within 10s):

4.2.6. Remove manual controls: Turn off the function of manually enabling sensing (After turn on, the sensor mode is entered by default;after turn off, the sensor mode can be manually enabled or disabled):

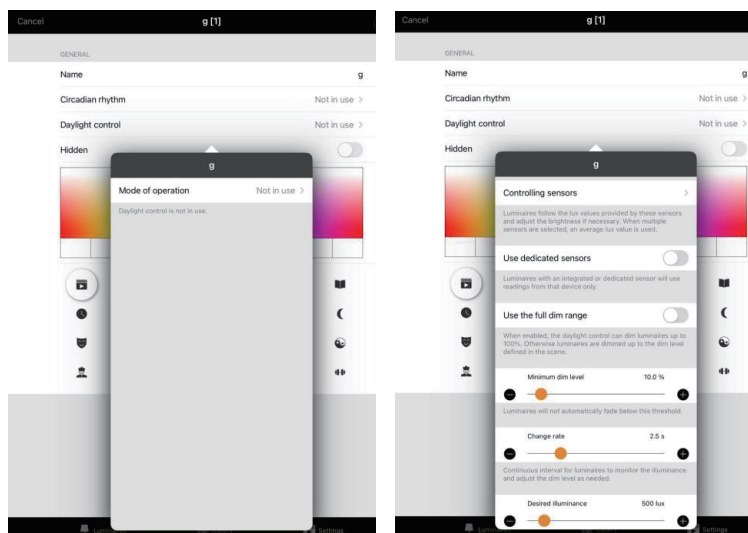


Note: Choose to turn on or off the sensor mode in the lamp interface.

## 5. Daylight Sensor

### 5.1.Daylight sensor selected:

Click scene - click "+" to add scene - Set scene name - Select sensor - Click Continue - Click Controlling sensors - Select Closed loop - Select sensing - Set desired illuminance/change rate/dim level - Click Finish.



## 5.2 Remark:

5.2.1. On/off: Turn off when the light brightness exceeds the set value, turn on when the light is lower than the value);

5.2.2. Open loop: By comparing the illuminance of the sensor, the luminaire brightness will be adjusted (0-100%), but the sensor should not be affected by any light from the luminaire in the network. Example: A lamp controlled by a sensor mounted in a separate location of the lamp (e.g., outdoors) or by a sensor facing a window away from the lamp.)

5.2.3. Closed loop: set the illuminance. The sensor adjusts the luminaire brightness according to the actual ambient brightness, so that the brightness is kept within the set illuminance range (the brighter the ambient light, the darker the lamp, the darker the environment, the brighter the lamp); Closed loop: Set the illumination. The sensor adjusts the brightness of the luminaire according to the actual ambient brightness, so that the brightness is kept within the set illuminance range (the brighter the ambient light, the darker the luminaire, the darker the environment, the brighter the luminaire);

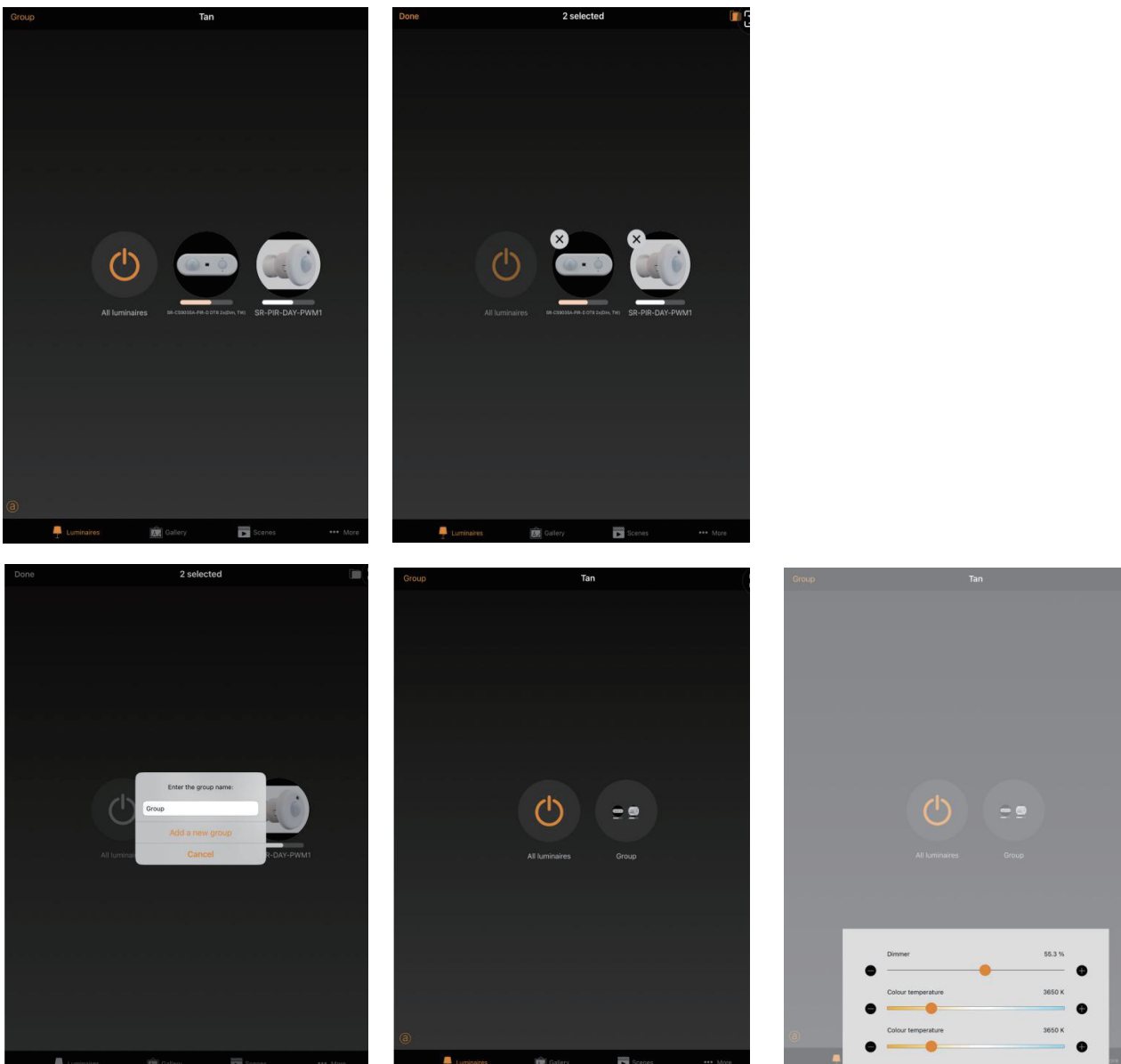
5.2.4. External: similar to open loop option

5.2.5. Not in Use: Light sense is not enabled

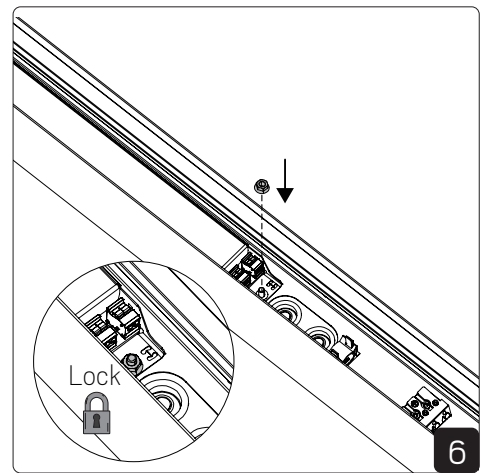
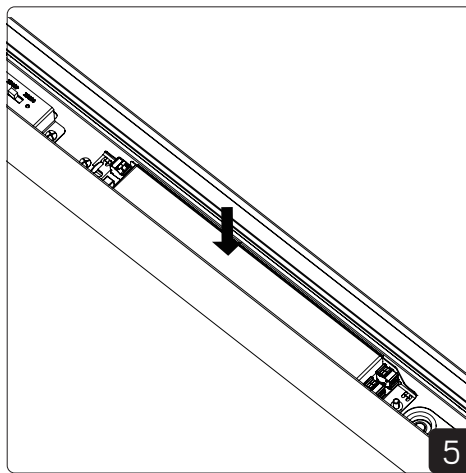
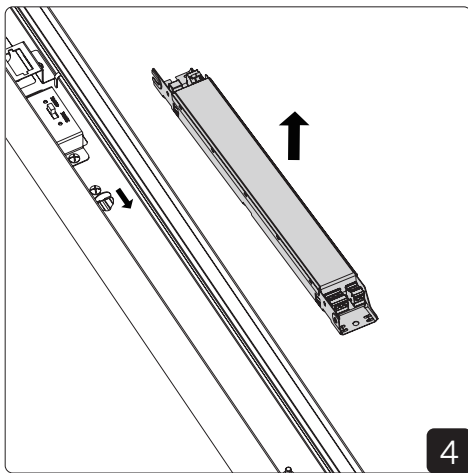
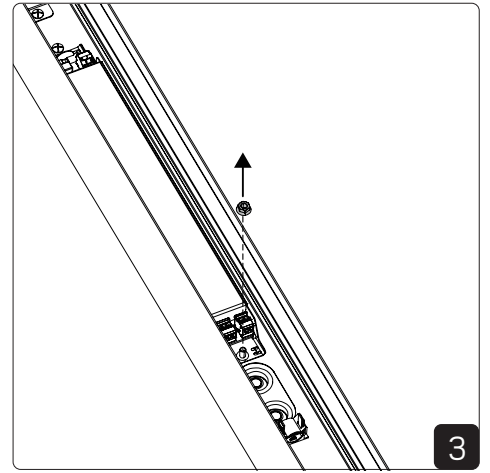
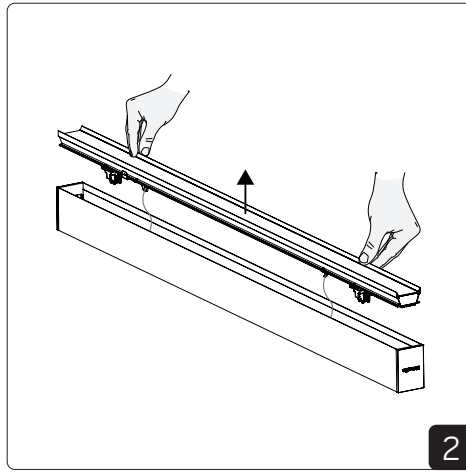
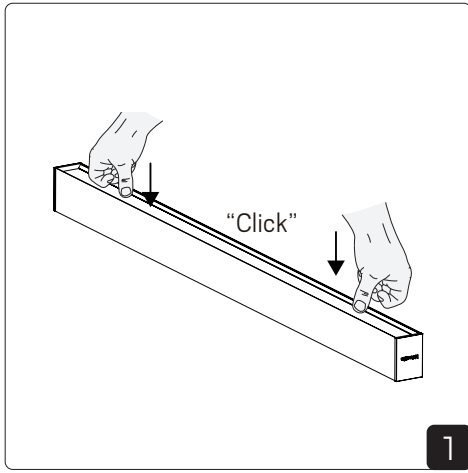
## 5.3 Group control

5.3.1 Click Group in the upper left corner – Select Sensor – Click folder logo – Enter group name – Click Add New Group – Click Done.

5.3.2 Group control: Click to switch all lamps in the group, long press to dimmer the devices in the group, and adjust the CCT of each lamp separately.



## Disassembly Instructions



## Recycle

