

Drain Pipe Acoustic Insulation in Construction Sites

In renovation projects, the acoustic insulation of drain pipes is carried out using Meluton Semi-vana, a product specifically designed for installations in confined spaces.

Semi-vana features both an acoustic air gap and insulation layer, making it an excellent solution for insulating drainage and ventilation pipework. The product is available in two thicknesses: 14 mm and 21 mm.

This instruction sheet is intended for use when installing insulation on drain pipes in renovation or retrofit applications.

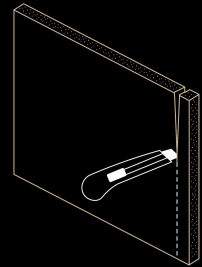
Required Materials

- Meluton Semi-vana insulation material
- Utility knife with spare blades
- Measuring tape
- Binding wire or cable ties
- Marker pen
- Installation tape for finishing

Standard Installation Procedure

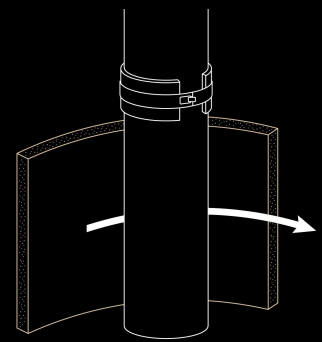
Step 1

Trim off any excess foam layer from the Semi-vana.



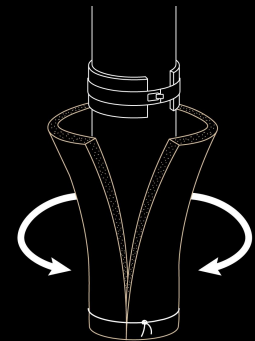
Step 2

Wrap the Semi-vana sheet around the drain pipe.



Step 3

Place binding wire or a cable tie over the Semi-vana sheet. Press the sheet tightly together so that the material overlaps itself a bit.



Tighten the wire or tie securely to ensure the insulation material remains firmly in place around the pipe.

Step 4

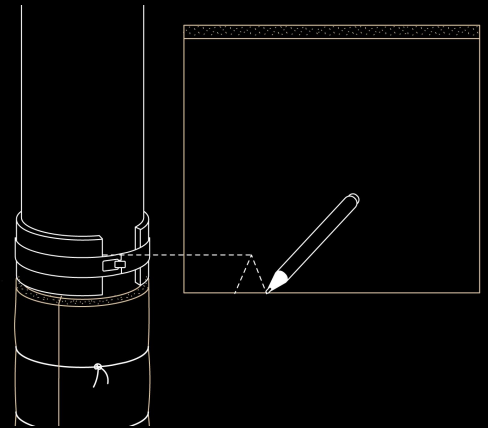
Install additional binding wires or cable ties around the Semi-vana at 25 cm intervals.



Insulating Pipe Support Sections

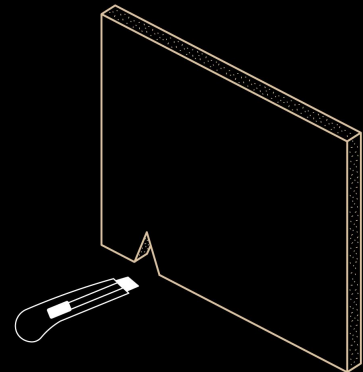
Step 1

Position the Semi-vana sheet over the pipe support and mark the location where the support will sit using a marker.



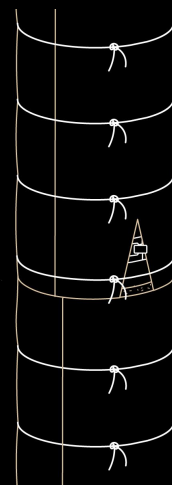
Step 2

Cut a small V-shaped notch in the Semi-vana sheet to accommodate the pipe support.



Step 3

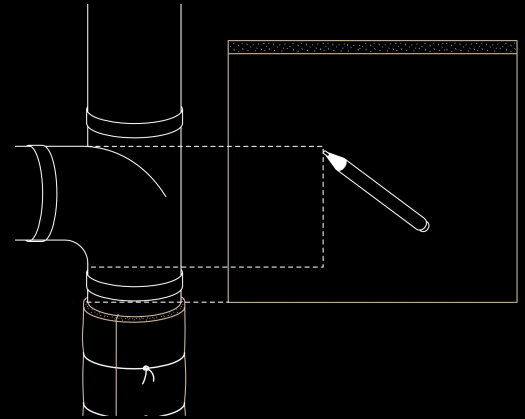
Reposition the sheet so that the notch aligns precisely with the support, then fasten it following the same mechanical installation method as in the standard installation.



Insulating Pipe Branch Sections

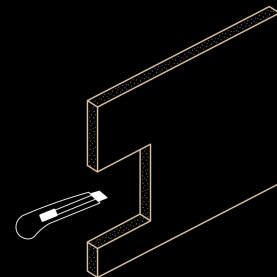
Step 1

Place the Semi-vana sheet alongside the pipe branch and mark the areas where the branch will intersect. Use a marker to indicate both the top and bottom points of the branch.



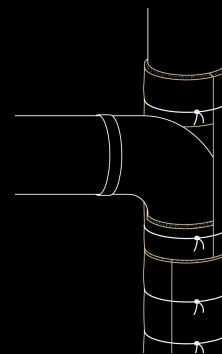
Step 2

Cut an opening in the Semi-vana large enough for the pipe branch to pass through, ensuring the cut is deep enough for the insulation to cover over the pipe.



Step 3

Position the sheet so that the cutout aligns with the pipe branch and fasten it according to the same mechanical installation procedure used in the basic installation.



Finalizing the installation

Once the Semi-vana material has been mechanically secured around the drain pipe, finish the installation by sealing joints and cut edges with installation tape as necessary. While the tape does not enhance acoustic insulation, it provides a more durable and aesthetically neat finish.