



INDICATIVE PRODUCT IMAGE

**1.478,86 €**

### Product file

Code	RCMRKB2350408ED
Refrigerant	R452A
Application	LBP
Series	RCMRKB
Net weight	42 kg
Ped	0
Type	VENTILATED
Typology	Cubic

### Evaporator

Fan-motors no.	2
Fan blade diameter	350 mm
Fan-motor type	EC external rotor
Fan-motor voltage	200-240/1/50-60
Max velocity	1600 rpm
Min velocity	850 rpm
Air throw (high velocity)	14 m
Air throw (low velocity)	11 m
Evaporator air flow (high velocity)	5144 m <sup>3</sup> /h
Evaporator air flow (low velocity)	2927 m <sup>3</sup> /h

### Evaporator geometry

Geometry	37.5 X 32.475
Tube	TUBE 12
Rows	4
Finned pack length	1050 mm
Fine spacing	8.00 mm
Total surface	13.00 m <sup>2</sup>
Circuit volume	5.26 dm <sup>3</sup>

### Absorptions

Power absorption (high velocity)	230 W
Power absorption (low velocity)	78 W
Current absorption (high velocity)	1.72 A
Current absorption (low velocity)	0.64 A
Number of heaters	4
Heaters voltage	400/3/50-60
Defrost	2800 W

### Pipe fittings

Inlet connection	12 mm-1/2" sae
Outlet connection	28 mm
Discharge connection	1" Gas (33mm)

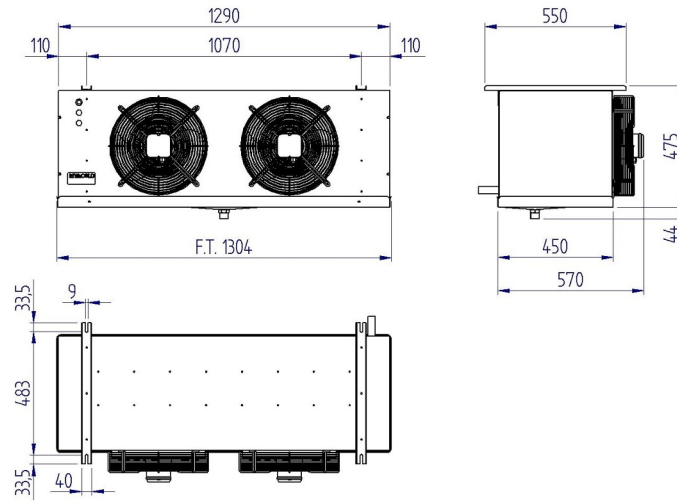
## Refrigeration capacity table – RCMRKB2350408ED – Refrigerant: R452A

Cell temperature	ΔT	Capacity	Speed	Limitations
-40 °C	5 K	2849 W	High speed	Application outside the recommended range
-40 °C	6 K	3322 W	High speed	Application outside the recommended range
-40 °C	7 K	3762 W	High speed	Application outside the recommended range
-40 °C	8 K	4169 W	High speed	Application outside the recommended range
-40 °C	9 K	4521 W	High speed	Application outside the recommended range
-40 °C	10 K	4862 W	High speed	Application outside the recommended range
-35 °C	5 K	3014 W	High speed	-
-35 °C	6 K	3553 W	High speed	-
-35 °C	7 K	4048 W	High speed	-
-35 °C	8 K	4510 W	High speed	-
-35 °C	9 K	4939 W	High speed	-
-35 °C	10 K	5336 W	High speed	-
-30 °C	5 K	3146 W	High speed	-
-30 °C	6 K	3729 W	High speed	-
-30 °C	7 K	4290 W	High speed	-
-30 °C	8 K	4818 W	High speed	-
-30 °C	9 K	5324 W	High speed	-
-30 °C	10 K	5776 W	High speed	-
-25 °C	5 K	3246 W	High speed	-
-25 °C	6 K	3872 W	High speed	-
-25 °C	7 K	4466 W	High speed	-
-25 °C	8 K	5049 W	High speed	-
-25 °C	9 K	5610 W	High speed	-
-25 °C	10 K	6138 W	High speed	-
-20 °C	5 K	3333 W	High speed	-
-20 °C	6 K	3993 W	High speed	-
-20 °C	7 K	4620 W	High speed	-
-20 °C	8 K	5247 W	High speed	-
-20 °C	9 K	5841 W	High speed	-
-20 °C	10 K	6424 W	High speed	-
-15 °C	5 K	3454 W	High speed	-
-15 °C	6 K	4114 W	High speed	-
-15 °C	7 K	4786 W	High speed	-
-15 °C	8 K	5434 W	High speed	-
-15 °C	9 K	6072 W	High speed	-
-15 °C	10 K	6677 W	High speed	-
-10 °C	5 K	3619 W	High speed	-
-10 °C	6 K	4279 W	High speed	-
-10 °C	7 K	4972 W	High speed	-
-10 °C	8 K	5643 W	High speed	-
-10 °C	9 K	6303 W	High speed	-
-10 °C	10 K	6941 W	High speed	-
-5 °C	5 K	3828 W	High speed	-
-5 °C	6 K	4510 W	High speed	-
-5 °C	7 K	5214 W	High speed	-
-5 °C	8 K	5907 W	High speed	-
-5 °C	9 K	6578 W	High speed	-
-5 °C	10 K	7238 W	High speed	-
0 °C	5 K	4114 W	High speed	-

Cell temperature	$\Delta T$	Capacity	Speed	Limitations
0 °C	6 K	4807 W	High speed	-
0 °C	7 K	5522 W	High speed	-
0 °C	8 K	6226 W	High speed	-
0 °C	9 K	6930 W	High speed	-
0 °C	10 K	7612 W	High speed	-
2 °C	5 K	4147 W	High speed	-
2 °C	6 K	4840 W	High speed	-
2 °C	7 K	5556 W	High speed	-
2 °C	8 K	6292 W	High speed	-
2 °C	9 K	6996 W	High speed	-
2 °C	10 K	7689 W	High speed	-
4 °C	5 K	4202 W	High speed	-
4 °C	6 K	4896 W	High speed	-
4 °C	7 K	5599 W	High speed	-
4 °C	8 K	6326 W	High speed	-
4 °C	9 K	7051 W	High speed	-
4 °C	10 K	7756 W	High speed	-

*For refrigerants with high glide, the DeltaT at mid-point cannot be too low: there is a risk that the refrigerant outlet temperature, taking into account the necessary superheating, will be too close to the air inlet temperature; If this were to occur, the exchanger could not function.*

Technical drawings – RCMRKB2350408ED





INDICATIVE PRODUCT IMAGE

## • GENERAL FEATURES

- RCMR ø350 range unit coolers have been designed to be installed inside cold rooms suited for fresh and frozen goods storage
- This range completes the RC and RCS range applications and though having extremely compact dimensions, reaches bigger capacities suited for medium size cold rooms
- RCMR ø350 range is available in different combinations of fin spacing dimensions and tube rows properly sized according to the needed applications
- The RCMRKB range is supplied as standard with EC fan motors (Identified by the letter "B") and blade with special profile for combining higher efficiency and low absorption.
- Thermostat: system to be connected to the external contactor, to suspend the power supply to the defrosting heaters in the event of malfunction.
- The ED version is supplied with mounted defrosting heaters and is suitable for being used at low temperature applications
- The fan motors operate in the suction mode and prevent the condensate forming on the fan
- The coil is made of aluminium fins, 12 mm copper tube and a geometry of 37,5 x 32,5
- RCMR ø350 unit coolers can be classified in three groups according to the needed cold room temperature (Tc): 4mm fin spacing for a Tc from -5°C to +15°C; 6mm fin spacing for a Tc from -20°C to +15°C; 8mm fin spacing for a Tc from -40°C to +4°C.
- The coils are tested with nitrogen at a pressure of 25 bar.
- The fan motor models in use have the following features:
  - Manufactured following EN 60335-1 laws, with internal thermal protection
  - Fan diameter 350 mm, external rotor
  - Power supply 230-240V/1/50-60Hz
  - IP44 protection rate
  - F insulation class
  - operating temperature -40°C a +65°C
  - Electrics made in conformity with 2006/95/CE Low Tension directive
- The housing is made of aluminium
- The manufacturing solutions used give the housing strength and guarantee the absence of vibrations during the functioning.
- Screws, washers and nuts are made of stainless steel