



INDICATIVE PRODUCT IMAGE

1.478,86 €

Product file

| | |
|-------------|-----------------|
| Code | RCMRKB2350408ED |
| Refrigerant | R454C mid |
| Application | LBP |
| Series | RCMRKB |
| Net weight | 42 kg |
| Ped | 0 |
| Type | VENTILATED |
| Typology | Cubic |

Evaporator

| | |
|-------------------------------------|------------------------|
| Fan-motors no. | 2 |
| Fan blade diameter | 350 mm |
| Fan-motor type | EC external rotor |
| Fan-motor voltage | 200-240/1/50-60 |
| Max velocity | 1600 rpm |
| Min velocity | 850 rpm |
| Air throw (high velocity) | 14 m |
| Air throw (low velocity) | 11 m |
| Evaporator air flow (high velocity) | 5144 m ³ /h |
| Evaporator air flow (low velocity) | 2927 m ³ /h |

Evaporator geometry

| | |
|--------------------|----------------------|
| Geometry | 37.5 X 32.475 |
| Tube | TUBE 12 |
| Rows | 4 |
| Finned pack length | 1050 mm |
| Fine spacing | 8.00 mm |
| Total surface | 13.00 m ² |
| Circuit volume | 5.26 dm ³ |

Absorptions

| | |
|------------------------------------|-------------|
| Power absorption (high velocity) | 230 W |
| Power absorption (low velocity) | 78 W |
| Current absorption (high velocity) | 1.72 A |
| Current absorption (low velocity) | 0.64 A |
| Number of heaters | 4 |
| Heaters voltage | 400/3/50-60 |
| Defrost | 2800 W |

Pipe fittings

| | |
|----------------------|----------------|
| Inlet connection | 12 mm-1/2" sae |
| Outlet connection | 28 mm |
| Discharge connection | 1" Gas (33mm) |

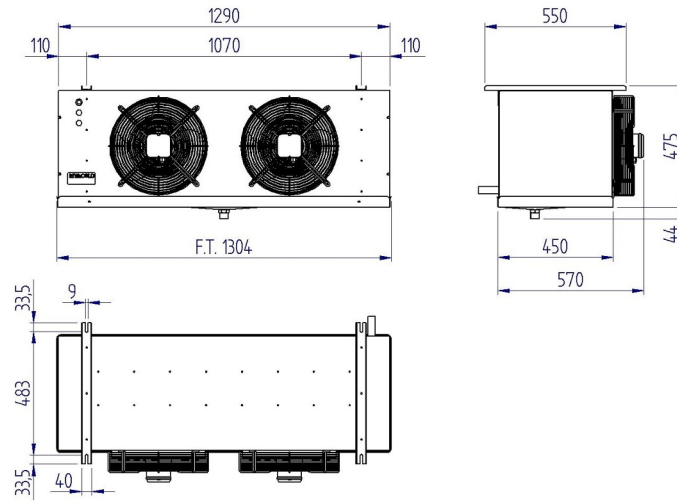
Refrigeration capacity table – RCMRKB2350408ED – Refrigerant: R454C mid

| Cell temperature | ΔT | Capacity | Speed | Limitations |
|------------------|------|----------|------------|---|
| -40 °C | 9 K | 3740 W | High speed | Application outside the recommended range |
| -40 °C | 10 K | 4022 W | High speed | Application outside the recommended range |
| -40 °C | 11 K | 4304 W | High speed | Application outside the recommended range |
| -40 °C | 12 K | 4586 W | High speed | Application outside the recommended range |
| -40 °C | 13 K | 4869 W | High speed | Application outside the recommended range |
| -40 °C | 14 K | 5150 W | High speed | Application outside the recommended range |
| -40 °C | 15 K | 5432 W | High speed | Application outside the recommended range |
| -35 °C | 9 K | 4085 W | High speed | - |
| -35 °C | 10 K | 4414 W | High speed | - |
| -35 °C | 11 K | 4741 W | High speed | - |
| -35 °C | 12 K | 5068 W | High speed | - |
| -35 °C | 13 K | 5396 W | High speed | - |
| -35 °C | 14 K | 5723 W | High speed | - |
| -35 °C | 15 K | 6052 W | High speed | - |
| -30 °C | 9 K | 4404 W | High speed | - |
| -30 °C | 10 K | 4778 W | High speed | - |
| -30 °C | 11 K | 5150 W | High speed | - |
| -30 °C | 12 K | 5523 W | High speed | - |
| -30 °C | 13 K | 5896 W | High speed | - |
| -30 °C | 14 K | 6269 W | High speed | - |
| -30 °C | 15 K | 6643 W | High speed | - |
| -25 °C | 9 K | 4641 W | High speed | - |
| -25 °C | 10 K | 5077 W | High speed | - |
| -25 °C | 11 K | 5514 W | High speed | - |
| -25 °C | 12 K | 5951 W | High speed | - |
| -25 °C | 13 K | 6388 W | High speed | - |
| -25 °C | 14 K | 6825 W | High speed | - |
| -25 °C | 15 K | 7261 W | High speed | - |
| -20 °C | 9 K | 4832 W | High speed | - |
| -20 °C | 10 K | 5314 W | High speed | - |
| -20 °C | 11 K | 5796 W | High speed | - |
| -20 °C | 12 K | 6279 W | High speed | - |
| -20 °C | 13 K | 6761 W | High speed | - |
| -20 °C | 14 K | 7243 W | High speed | - |
| -20 °C | 15 K | 7725 W | High speed | - |
| -15 °C | 9 K | 5023 W | High speed | - |
| -15 °C | 10 K | 5523 W | High speed | - |
| -15 °C | 11 K | 6024 W | High speed | - |
| -15 °C | 12 K | 6524 W | High speed | - |
| -15 °C | 13 K | 7025 W | High speed | - |
| -15 °C | 14 K | 7525 W | High speed | - |
| -15 °C | 15 K | 8026 W | High speed | - |
| -10 °C | 9 K | 5214 W | High speed | - |
| -10 °C | 10 K | 5742 W | High speed | - |
| -10 °C | 11 K | 6269 W | High speed | - |
| -10 °C | 12 K | 6797 W | High speed | - |
| -10 °C | 13 K | 7326 W | High speed | - |
| -10 °C | 14 K | 7853 W | High speed | - |
| -10 °C | 15 K | 8381 W | High speed | - |

| Cell temperature | ΔT | Capacity | Speed | Limitations |
|------------------|------------|----------|------------|-------------|
| -5 °C | 9 K | 5441 W | High speed | - |
| -5 °C | 10 K | 5987 W | High speed | - |
| -5 °C | 11 K | 6533 W | High speed | - |
| -5 °C | 12 K | 7079 W | High speed | - |
| -5 °C | 13 K | 7625 W | High speed | - |
| -5 °C | 14 K | 8171 W | High speed | - |
| -5 °C | 15 K | 8717 W | High speed | - |
| 0 °C | 9 K | 5733 W | High speed | - |
| 0 °C | 10 K | 6297 W | High speed | - |
| 0 °C | 11 K | 6861 W | High speed | - |
| 0 °C | 12 K | 7425 W | High speed | - |
| 0 °C | 13 K | 7989 W | High speed | - |
| 0 °C | 14 K | 8554 W | High speed | - |
| 0 °C | 15 K | 9118 W | High speed | - |
| 2 °C | 9 K | 5787 W | High speed | - |
| 2 °C | 10 K | 6360 W | High speed | - |
| 2 °C | 11 K | 6934 W | High speed | - |
| 2 °C | 12 K | 7508 W | High speed | - |
| 2 °C | 13 K | 8080 W | High speed | - |
| 2 °C | 14 K | 8654 W | High speed | - |
| 2 °C | 15 K | 9227 W | High speed | - |
| 4 °C | 9 K | 5833 W | High speed | - |
| 4 °C | 10 K | 6416 W | High speed | - |
| 4 °C | 11 K | 6997 W | High speed | - |
| 4 °C | 12 K | 7580 W | High speed | - |
| 4 °C | 13 K | 8162 W | High speed | - |
| 4 °C | 14 K | 8745 W | High speed | - |
| 4 °C | 15 K | 9328 W | High speed | - |

For refrigerants with high glide, the DeltaT at mid-point cannot be too low: there is a risk that the refrigerant outlet temperature, taking into account the necessary superheating, will be too close to the air inlet temperature; If this were to occur, the exchanger could not function.

Technical drawings – RCMRKB2350408ED





INDICATIVE PRODUCT IMAGE

• GENERAL FEATURES

- RCMR ø350 range unit coolers have been designed to be installed inside cold rooms suited for fresh and frozen goods storage
- This range completes the RC and RCS range applications and though having extremely compact dimensions, reaches bigger capacities suited for medium size cold rooms
- RCMR ø350 range is available in different combinations of fin spacing dimensions and tube rows properly sized according to the needed applications
- The RCMRKB range is supplied as standard with EC fan motors (Identified by the letter "B") and blade with special profile for combining higher efficiency and low absorption.
- Thermostat: system to be connected to the external contactor, to suspend the power supply to the defrosting heaters in the event of malfunction.
- The ED version is supplied with mounted defrosting heaters and is suitable for being used at low temperature applications
- The fan motors operate in the suction mode and prevent the condensate forming on the fan
- The coil is made of aluminium fins, 12 mm copper tube and a geometry of 37,5 x 32,5
- RCMR ø350 unit coolers can be classified in three groups according to the needed cold room temperature (Tc): 4mm fin spacing for a Tc from -5°C to +15°C; 6mm fin spacing for a Tc from -20°C to +15°C; 8mm fin spacing for a Tc from -40°C to +4°C.
- The coils are tested with nitrogen at a pressure of 25 bar.
- The fan motor models in use have the following features:
 - Manufactured following EN 60335-1 laws, with internal thermal protection
 - Fan diameter 350 mm, external rotor
 - Power supply 230-240V/1/50-60Hz
 - IP44 protection rate
 - F insulation class
 - operating temperature -40°C a +65°C
 - Electrics made in conformity with 2006/95/CE Low Tension directive
- The housing is made of aluminium
- The manufacturing solutions used give the housing strength and guarantee the absence of vibrations during the functioning.
- Screws, washers and nuts are made of stainless steel