



INDICATIVE PRODUCT IMAGE

1.497,47 €

Product file

Code	RCMRKB2350406ED
Refrigerant	R454C mid
Application	MBP
Series	RCMRKB
Net weight	43 kg
Ped	0
Type	VENTILATED
Typology	Cubic

Evaporator

Fan-motors no.	2
Fan blade diameter	350 mm
Fan-motor type	EC external rotor
Fan-motor voltage	200-240/1/50-60
Max velocity	1600 rpm
Min velocity	850 rpm
Air throw (high velocity)	14 m
Air throw (low velocity)	11 m
Evaporator air flow (high velocity)	3791 m ³ /h
Evaporator air flow (low velocity)	2254 m ³ /h

Evaporator geometry

Geometry	37.5 X 32.475
Tube	TUBE 12
Rows	4
Finned pack length	1050 mm
Fine spacing	6.00 mm
Total surface	16.80 m ²
Circuit volume	5.26 dm ³

Absorptions

Power absorption (high velocity)	230 W
Power absorption (low velocity)	78 W
Current absorption (high velocity)	1.72 A
Current absorption (low velocity)	0.64 A
Number of heaters	4
Heaters voltage	400/3/50-60
Defrost	2800 W

Pipe fittings

Inlet connection	12 mm-1/2" sae
Outlet connection	28 mm
Discharge connection	1" Gas (33mm)

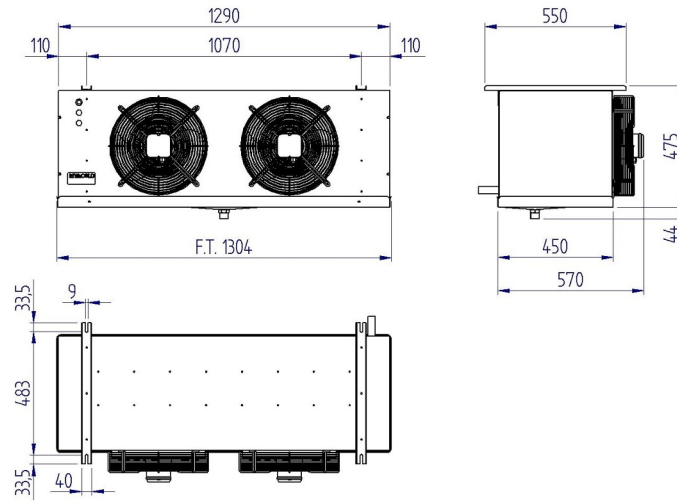
Refrigeration capacity table – RCMRKB2350406ED – Refrigerant: R454C mid

Cell temperature	ΔT	Capacity	Speed	Limitations
-20 °C	9 K	5541 W	High speed	Application outside the recommended range
-20 °C	10 K	6106 W	High speed	Application outside the recommended range
-20 °C	11 K	6670 W	High speed	Application outside the recommended range
-20 °C	12 K	7235 W	High speed	Application outside the recommended range
-20 °C	13 K	7798 W	High speed	Application outside the recommended range
-20 °C	14 K	8362 W	High speed	Application outside the recommended range
-20 °C	15 K	8927 W	High speed	Application outside the recommended range
-15 °C	9 K	5787 W	High speed	-
-15 °C	10 K	6360 W	High speed	-
-15 °C	11 K	6934 W	High speed	-
-15 °C	12 K	7508 W	High speed	-
-15 °C	13 K	8080 W	High speed	-
-15 °C	14 K	8654 W	High speed	-
-15 °C	15 K	9227 W	High speed	-
-10 °C	9 K	6042 W	High speed	-
-10 °C	10 K	6643 W	High speed	-
-10 °C	11 K	7243 W	High speed	-
-10 °C	12 K	7844 W	High speed	-
-10 °C	13 K	8444 W	High speed	-
-10 °C	14 K	9045 W	High speed	-
-10 °C	15 K	9646 W	High speed	-
-5 °C	9 K	6333 W	High speed	-
-5 °C	10 K	6962 W	High speed	-
-5 °C	11 K	7589 W	High speed	-
-5 °C	12 K	8217 W	High speed	-
-5 °C	13 K	8845 W	High speed	-
-5 °C	14 K	9473 W	High speed	-
-5 °C	15 K	10101 W	High speed	-
0 °C	9 K	6689 W	High speed	-
0 °C	10 K	7334 W	High speed	-
0 °C	11 K	7980 W	High speed	-
0 °C	12 K	8626 W	High speed	-
0 °C	13 K	9272 W	High speed	-
0 °C	14 K	9919 W	High speed	-
0 °C	15 K	10565 W	High speed	-
2 °C	9 K	6752 W	High speed	-
2 °C	10 K	7417 W	High speed	-
2 °C	11 K	8080 W	High speed	-
2 °C	12 K	8745 W	High speed	-
2 °C	13 K	9409 W	High speed	-
2 °C	14 K	10073 W	High speed	-
2 °C	15 K	10738 W	High speed	-
4 °C	9 K	6806 W	High speed	-
4 °C	10 K	7489 W	High speed	-
4 °C	11 K	8171 W	High speed	-
4 °C	12 K	8854 W	High speed	-
4 °C	13 K	9536 W	High speed	-
4 °C	14 K	10219 W	High speed	-
4 °C	15 K	10901 W	High speed	-

Cell temperature	ΔT	Capacity	Speed	Limitations
6 °C	9 K	6888 W	High speed	-
6 °C	10 K	7553 W	High speed	-
6 °C	11 K	8217 W	High speed	-
6 °C	12 K	8881 W	High speed	-
6 °C	13 K	9545 W	High speed	-
6 °C	14 K	10210 W	High speed	-
6 °C	15 K	10875 W	High speed	-
8 °C	9 K	6970 W	High speed	-
8 °C	10 K	7680 W	High speed	-
8 °C	11 K	8390 W	High speed	-
8 °C	12 K	9100 W	High speed	-
8 °C	13 K	9809 W	High speed	-
8 °C	14 K	10519 W	High speed	-
8 °C	15 K	11229 W	High speed	-
10 °C	9 K	7116 W	High speed	-
10 °C	10 K	7753 W	High speed	-
10 °C	11 K	8390 W	High speed	-
10 °C	12 K	9027 W	High speed	-
10 °C	13 K	9664 W	High speed	-
10 °C	14 K	10301 W	High speed	-
10 °C	15 K	10938 W	High speed	-
12 °C	9 K	7261 W	High speed	-
12 °C	10 K	7935 W	High speed	-
12 °C	11 K	8608 W	High speed	-
12 °C	12 K	9282 W	High speed	-
12 °C	13 K	9955 W	High speed	-
12 °C	14 K	10628 W	High speed	-
12 °C	15 K	11302 W	High speed	-
15 °C	9 K	7480 W	High speed	-
15 °C	10 K	8208 W	High speed	-
15 °C	11 K	8936 W	High speed	-
15 °C	12 K	9664 W	High speed	-
15 °C	13 K	10392 W	High speed	-
15 °C	14 K	11120 W	High speed	-
15 °C	15 K	11848 W	High speed	-

For refrigerants with high glide, the DeltaT at mid-point cannot be too low: there is a risk that the refrigerant outlet temperature, taking into account the necessary superheating, will be too close to the air inlet temperature; if this were to occur, the exchanger could not function.

Technical drawings – RCMRKB2350406ED





INDICATIVE PRODUCT IMAGE

• GENERAL FEATURES

- RCMR ø350 range unit coolers have been designed to be installed inside cold rooms suited for fresh and frozen goods storage
- This range completes the RC and RCS range applications and though having extremely compact dimensions, reaches bigger capacities suited for medium size cold rooms
- RCMR ø350 range is available in different combinations of fin spacing dimensions and tube rows properly sized according to the needed applications
- The RCMRKB range is supplied as standard with EC fan motors (Identified by the letter "B") and blade with special profile for combining higher efficiency and low absorption.
- Thermostat: system to be connected to the external contactor, to suspend the power supply to the defrosting heaters in the event of malfunction.
- The ED version is supplied with mounted defrosting heaters and is suitable for being used at low temperature applications
- The fan motors operate in the suction mode and prevent the condensate forming on the fan
- The coil is made of aluminium fins, 12 mm copper tube and a geometry of 37,5 x 32,5
- RCMR ø350 unit coolers can be classified in three groups according to the needed cold room temperature (Tc): 4mm fin spacing for a Tc from -5°C to +15°C; 6mm fin spacing for a Tc from -20°C to +15°C; 8mm fin spacing for a Tc from -40°C to +4°C.
- The coils are tested with nitrogen at a pressure of 25 bar.
- The fan motor models in use have the following features:
 - Manufactured following EN 60335-1 laws, with internal thermal protection
 - Fan diameter 350 mm, external rotor
 - Power supply 230-240V/1/50-60Hz
 - IP44 protection rate
 - F insulation class
 - operating temperature -40°C a +65°C
 - Electrics made in conformity with 2006/95/CE Low Tension directive
- The housing is made of aluminium
- The manufacturing solutions used give the housing strength and guarantee the absence of vibrations during the functioning.
- Screws, washers and nuts are made of stainless steel