



**INABA DENKO**

# IHM

## Optimize the appearance of each installation

Contact us today

**INABA DENKO**



Instagram

AUS/NZ



Europe



LinkedIn

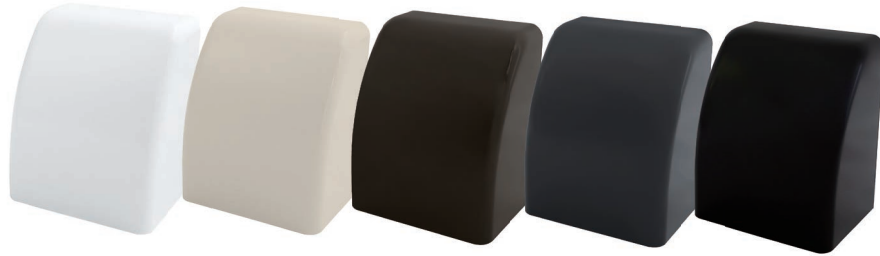


YouTube

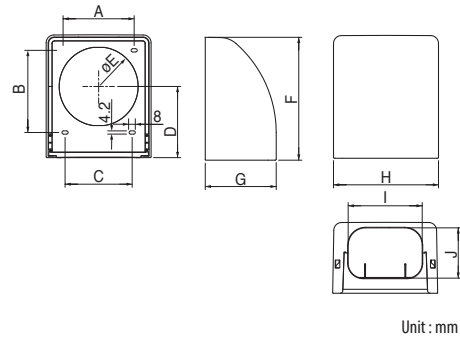


Our IHM wall-mounted outlet adds the finishing touch to any HVAC project. This elegant solution hides and protects unsightly refrigeration piping penetrations on most AC installations. Constructed from high-grade, weather-resistant, and UV-stabilized materials for maximum protection. IHM is available in five colours to easily match your building's appearance. For new installs, IHM can be combined with the Slimduct SD Flexible bend to provide complete protection.

## IHM Wall-mounted outlet



Dimensions

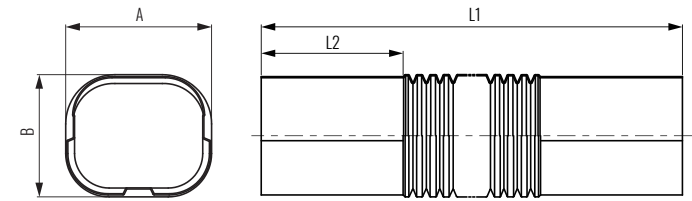


Unit : mm

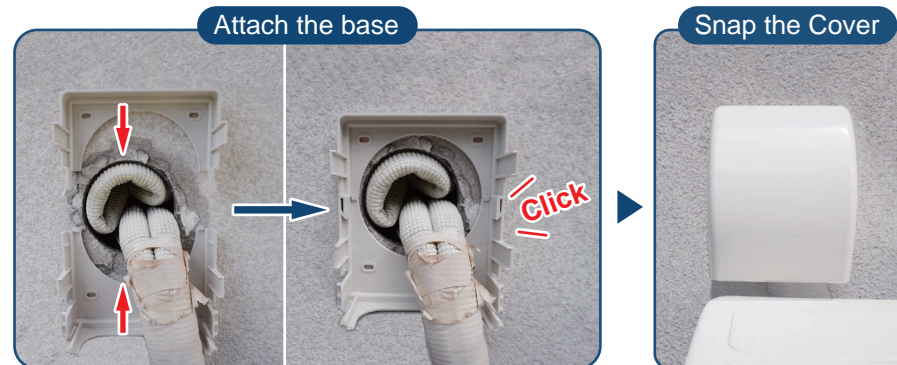
Click here to watch the installation video



Quick and easy retrofit for a cleaner look and long-term protection.



Simply snap on the IHM cover-even after installation.



## WALL-MOUNTED OUTLET

- Material: PVC
- Working Temperature: -20°C~60°C (Product surface)
- Colours(Cover and base): Anthracite grey, black, brown, white and ivory.

Item No.	Colour Variation	A	B	C	D	E	F	G	H	I	J	Pcs/Pkg
IHM-77		76	81	65	77	-	130	80	112	68	54.5	10
IHM-100		90	104	85	90	100	156	90	133	94	64	10
IHM-140		140	121	135	107	140	196	104	182	130	75	5

## FLEXIBLE bend with End Cuffs (Sold separately)

- Material: PE(77),PP(100,140)
- Working Temperature: -20°C~60°C (Product surface)
- Colours: Anthracite grey, black, brown, white and ivory.

Item No.	Colour Variation	A	B	L1	L2	Pcs/Pkg
SF-77-500		74	62	530	87	20
SF-77-1000		74	62	1060	87	20
SF-100-800		100	70	800	70	10
SF-140-800		146	86	800	80	5