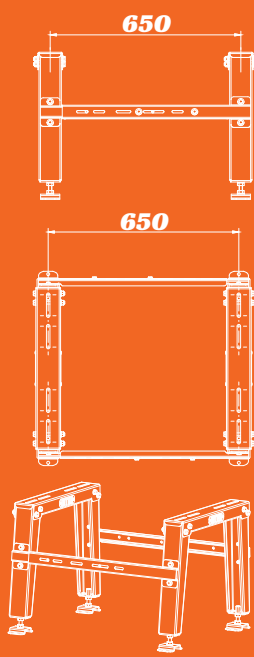
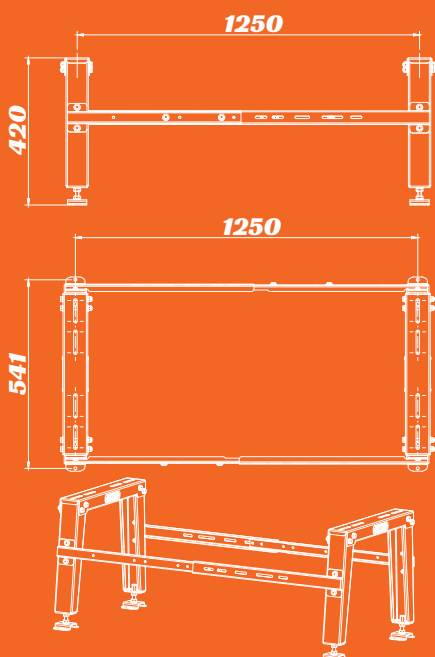


AC GROUND FRAME M

Dimensions

Max length

Min length



Technical characteristics

Material: Galvanized steel
 Finish: Powder coated
 Colour: Gray RAL 7011
 Package Weight: 12 kg
 Equipped with: Assembling hardware
 Mounted on: Stone base
 Loading capacity: 300 kg
 Pieces per pallet: 30

EAN: 0726754946509
 Width: 520
 Height: 420
 Min L: 650
 Max L: 1250

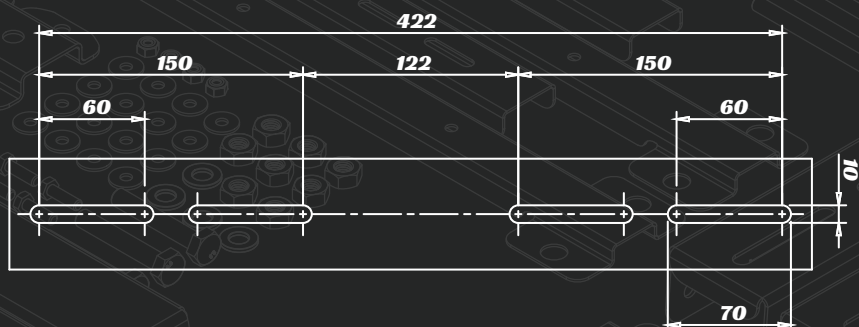
About Us

Intar MW is Estonian company that was established in 2013.

We are flexible, quick and we evolve with our clients. Our strength today is diverse production. We do sheet metal projects. We also have the ability to offer engineering and help our customers to improve their products for production to save on production costs.

Our mission is to be best manufacturing partner for its clients by being flexible, constantly evolving and understanding.

Support drilling diagram



Get in Touch

Tallinn, Estonia
 (+372) 569 123 50
 info@intar.ee
 www.intarmw.ee



INTAR

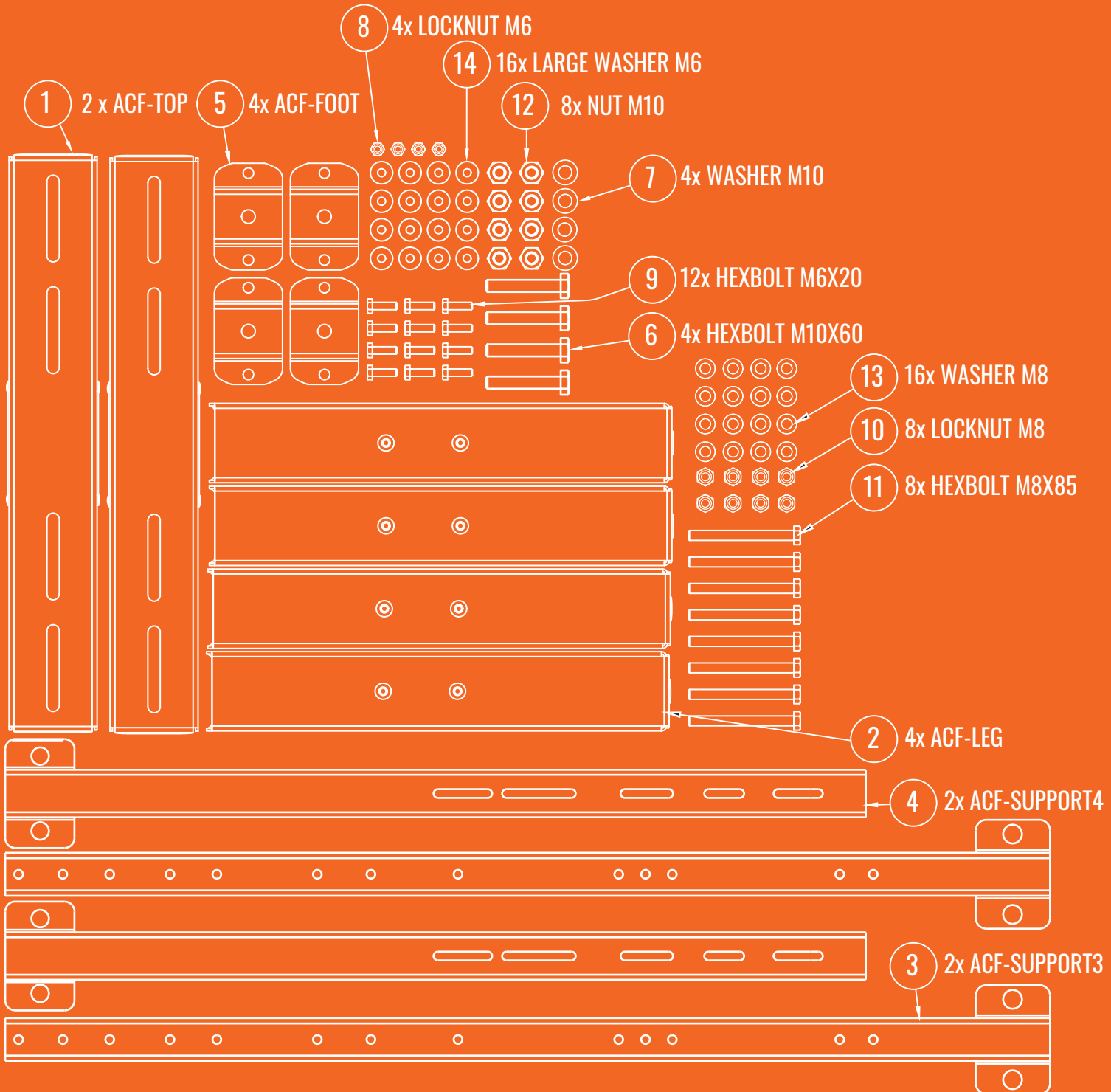
METAL WORKS



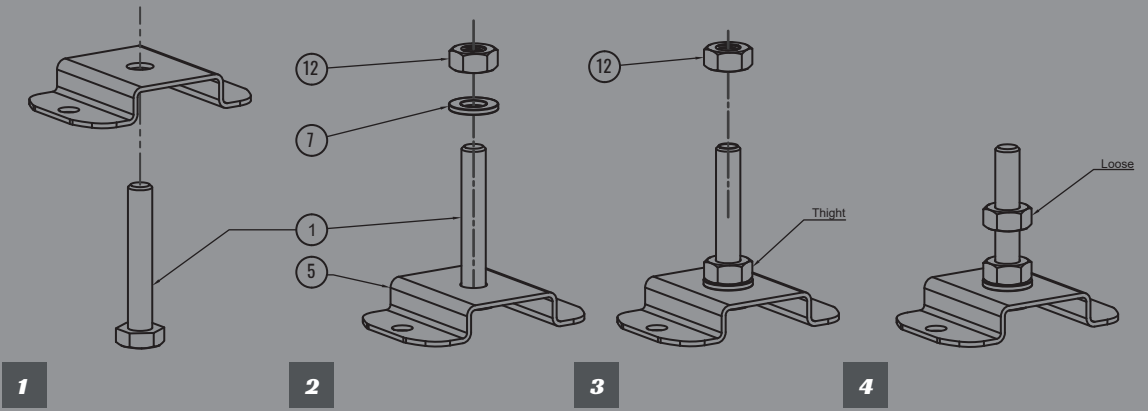
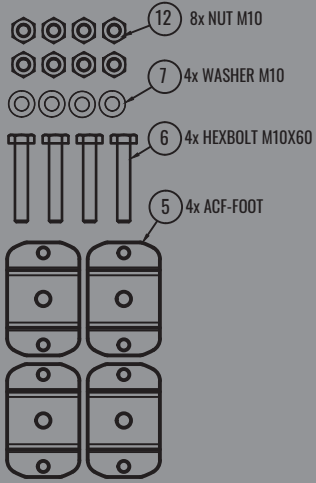
AC GROUND FRAME M

ASSEMBLY MANUAL

Parts list ACF-M



ACF foot assembly



ACF leg assembly

