

AC GROUND FRAME XL

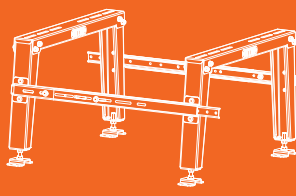
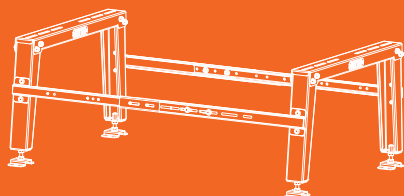
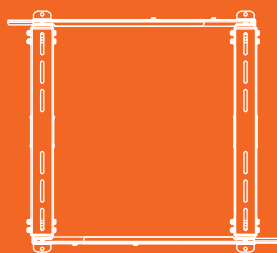
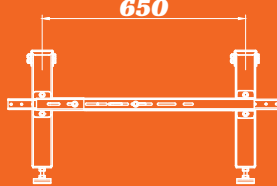
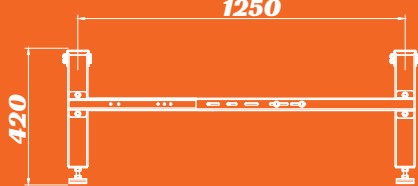
Dimensions

Max length

1250

Min length

650



Technical characteristics

Material: Galvanized steel

Finish: Powder coated

Colour: Gray RAL 7011

Package Weight: 13 kg

Equipped with: Assembling hardware

Mounted on: Stone base

Loading capacity: 300 kg

Pieces per pallet: 30

EAN: 0726754947636

Width: 710

Height: 420

Min L: 650

Max L: 1250

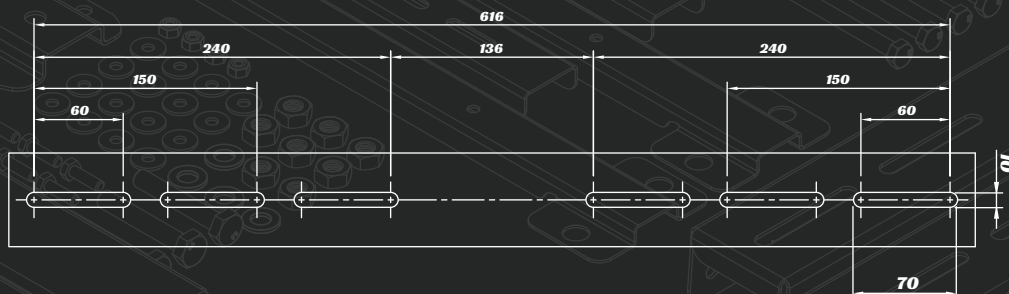
About Us

Intar MW is Estonian company that was established in 2013.

We are flexible, quick and we evolve with our clients. Our strength today is diverse production. We do sheet metal projects. We also have the ability to offer engineering and help our customers to improve their products for production to save on production costs.

Our mission is to be best manufacturing partner for its clients by being flexible, constantly evolving and understanding.

Support drilling diagram



Get in Touch

Tallinn, Estonia
(+372) 569 123 50
info@intar.ee
www.intarmw.ee



INTAR

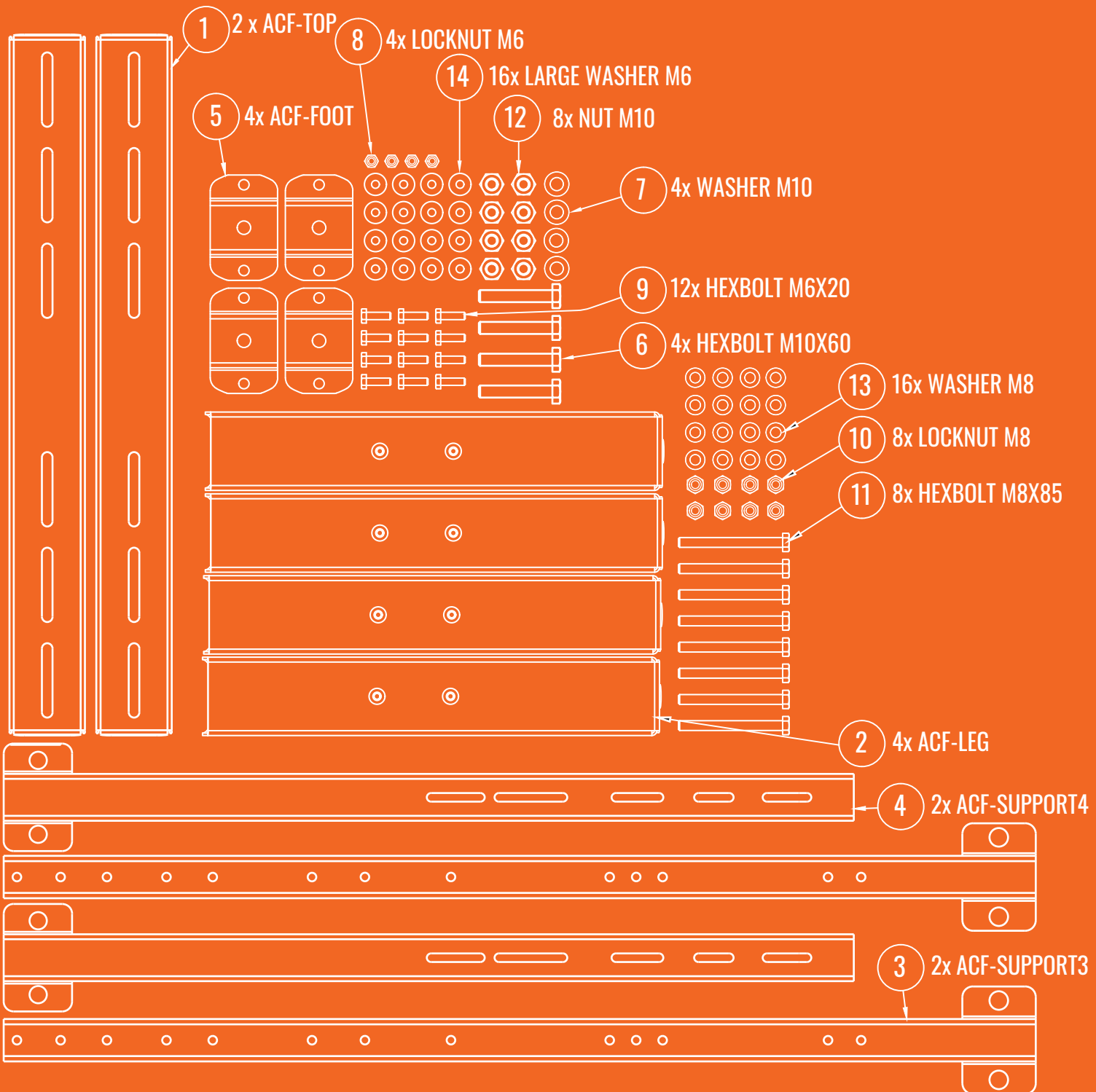
METAL WORKS



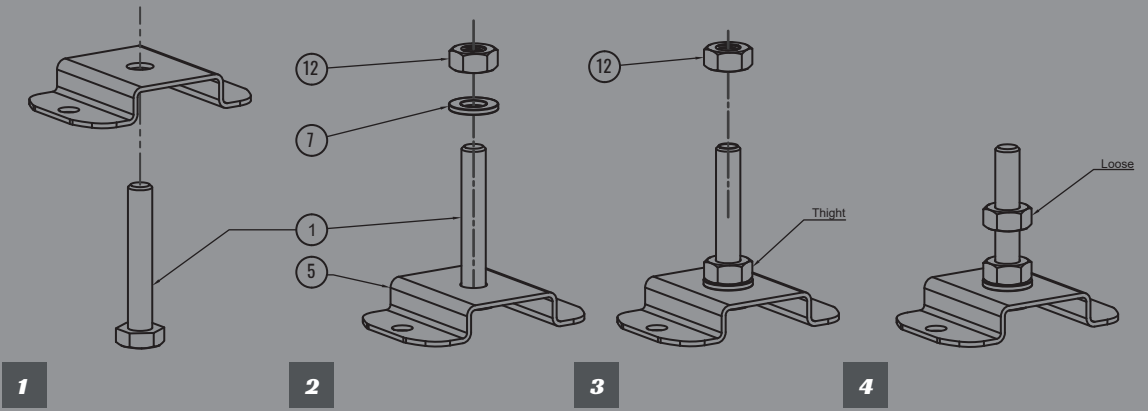
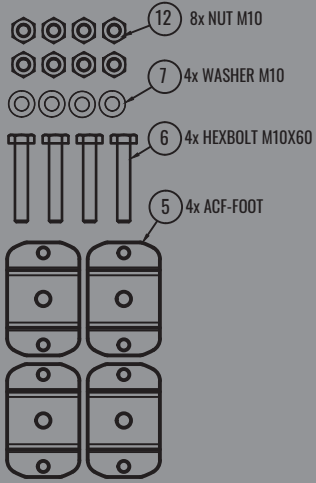
AC GROUND FRAME XL

ASSEMBLY MANUAL

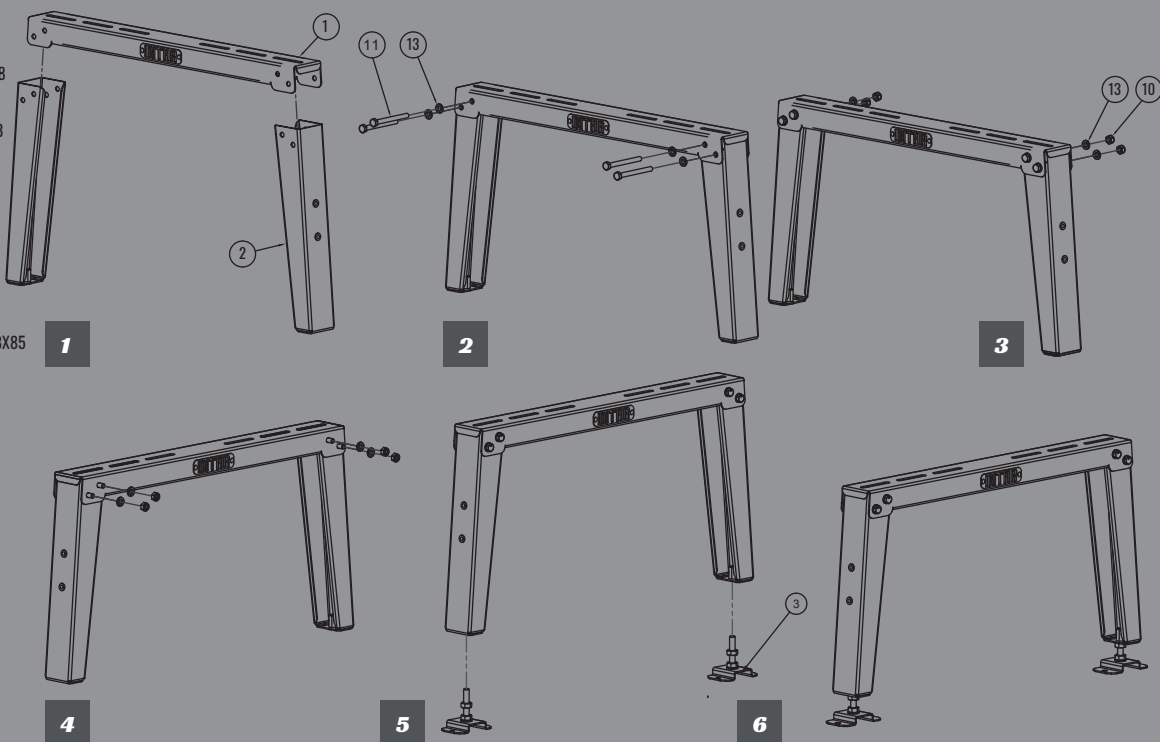
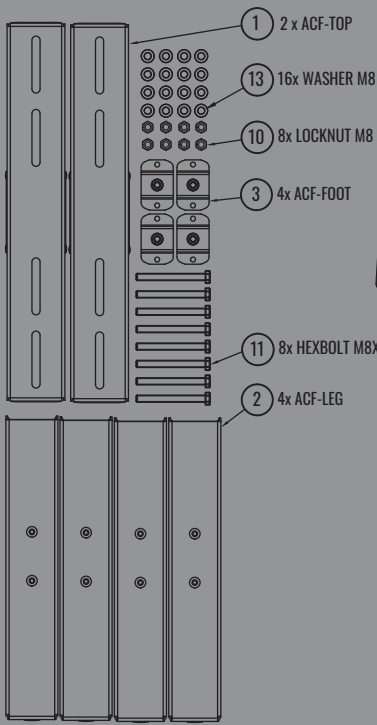
Parts list ACF-XL



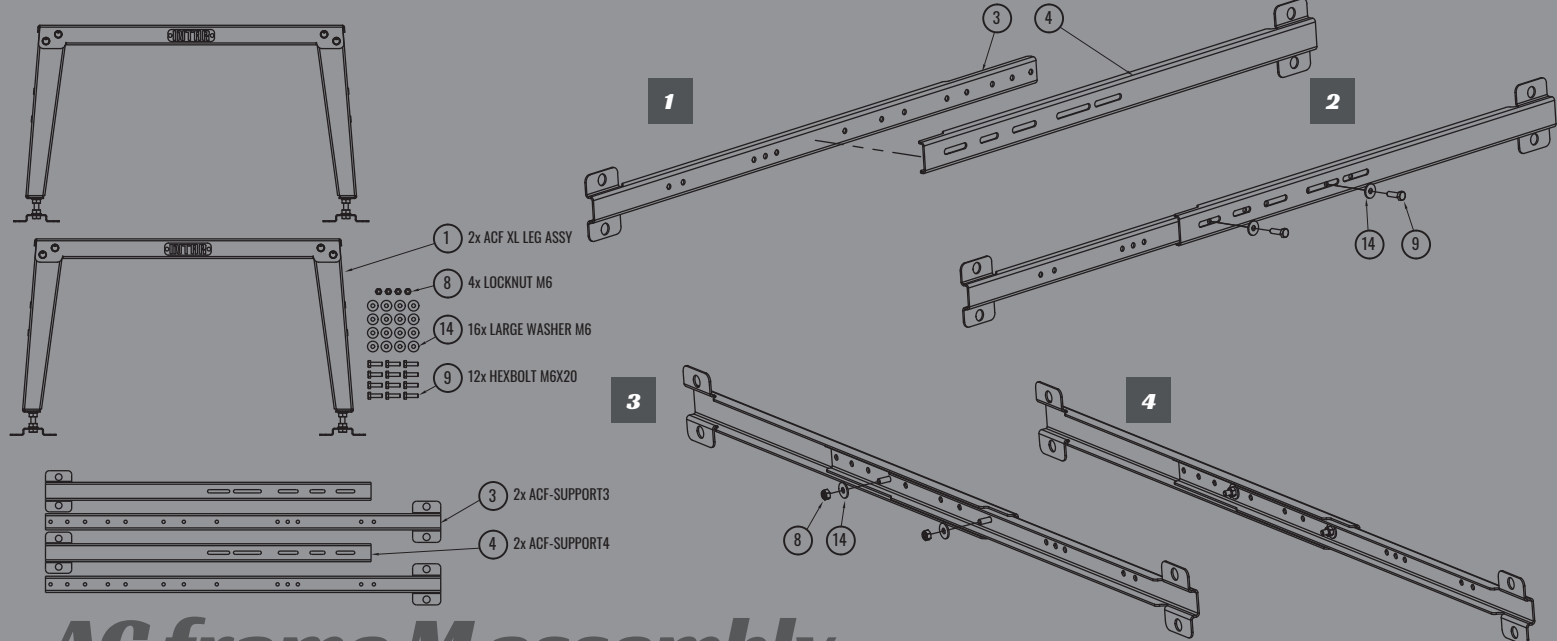
ACF foot assembly



ACF XL leg assembly



ACF support assembly



AC frame M assembly

