

-  air-only
-  water heater
-  electric wire heater



BASIC FEATURES

- **EC version airflow** up to **6.600 m3/h** (ISO 27 327-1)
- **AC version airflow** up to **4.300 m3/h** (ISO 27 327-1)
- Length: **1,0; 1,5; 2,0** and **2,5m**
- Low profile – only **304mm**
- Integrated **AirGENIO control**

FINESSE EC is a discrete, high-performance recessed air curtain. Its construction makes it unobtrusive and ensures a seamless fit in entrance areas of **banks, administrative centres, luxury boutiques, shopping centres, and airport halls**. The recommended installation height is **up to 5 m***.

**Maximum recommended installation height – may vary according the particular conditions at the installation site.*

The air curtain has a self-supporting casing made from a galvanized metal sheet with a face cover powder-coated in **RAL9016** (glossy smooth finish). Upon request, it can be provided in any RAL.

The air curtain is equipped with a centrifugal fans, available with either a **3-speed AC** motors or an **energy-efficient EC** motors controlled via PWM. The fan motors incorporate maintenance-free ball bearings and thermal protection for enhanced durability. For heating options, the air curtain can be fitted with an **LPHW coil** or **electric wire heater**. Its exhaust nozzle is equipped with **adjustable aluminium lamellas**, allowing precise airflow direction against the door opening.

An integrated control system ensures efficient operation. Two control options are available:

- **AirGENIO BASIC** simple power control
- **AirGENIO PRIME** – an advanced control system that optimizes operation for interior comfort while minimizing energy costs.

The air curtain shall be installed indoors in a dry environment, with ambient temperatures ranging from **0 °C up to +40 °C** and relative humidity of up to 80%. It is designed to convey air free of fine dust, grease, chemical fumes, and other impurities. The IP rating of the air curtain is **IP20**. To ensure optimal performance, it is recommended that air curtain projects be developed by an HVAC designer or engineer.



PRIMARY PARAMETERS

Air curtains with electric heater are fitted with automatic heat thermostat and emergency thermostat with manual reset. Air curtains with LPHW coil are designed for the maximum operating water temperature of +100 °C and maximum operating pressure of 1.6 MPa.

VCFI5 AC

Type	Recommended installation height [m]	Air output [m³/h] *1			Acoustic pressure at 3m[dB(A)] *2			Sound power [dB(A)]*3
		Speed 3	Speed 2	Speed 1	Speed 3	Speed 2	Speed 1	
VCFI5B-100-S0AC	4,0	1800	1250	850	55	47	38	76
VCFI5B-150-S0AC		2600	1800	1200	56	48	39	78
VCFI5B-200-S0AC		3500	2450	1700	57	59	41	79
VCFI5B-250-S0AC		4350	2900	2000	59	51	42	80
VCFI5B-100-E1AC		1800	1250	850	55	47	38	76
VCFI5B-150-E1AC		2600	1750	1150	56	48	39	78
VCFI5B-200-E1AC		3450	2350	1500	57	59	40	79
VCFI5B-250-E1AC		4200	2850	1900	58	51	41	80
VCFI5B-100-V2AC		1700	1150	800	54	46	37	75
VCFI5B-150-V2AC		2450	1650	1100	55	47	38	77
VCFI5B-200-V2AC		3400	2300	1450	57	59	40	79
VCFI5B-250-V2AC		4100	2800	1850	58	50	41	80

VCFI5 EC

Type	Recommended installation height [m]	Air output [m³/h] *1					Acoustic pressure at 3 m [dB(A)]*2					Sound power [dB(A)]*3	
		100%	80%	60%	40%	20%	100%	80%	60%	40%	20%		
VCFI5B100-S0EC	4,0	1950	1850	1650	1400	1000	54	52	49	46	38	75	
VCFI5B150-S0EC		3000	2800	2500	2150	1550	55	54	51	47	40	77	
VCFI5B200-S0EC		4000	3750	3350	2850	2100	56	54	52	48	40	78	
VCFI5B250-S0EC		4900	4550	4150	3500	2450	58	57	54	50	42	80	
VCFI5B100-E1EC		1950	1850	1650	1400	1000	54	52	49	46	38	75	
VCFI5B150-E1EC		3000	2800	2500	2150	1550	55	54	51	47	40	77	
VCFI5B200-E1EC		4000	3750	3350	2850	2100	56	54	52	48	40	78	
VCFI5B250-E1EC		4900	4550	4150	3500	2450	58	57	54	50	42	80	
VCFI5B100-V2EC		1900	1750	1550	1300	950	54	52	50	46	37	75	
VCFI5B150-V2EC		2900	2700	2400	2050	1450	55	53	50	47	39	76	
VCFI5B200-V2EC		3900	3650	3250	2750	2000	56	54	52	48	40	78	
VCFI5B250-V2EC		4750	4400	3950	3250	2400	58	56	53	49	41	80	
VCFI5C100-S0EC		5,0	2800	2600	2400	2150	1750	58	56	54	51	45	79
VCFI5C150-S0EC			3850	3550	3200	2700	1950	58	57	54	49	42	80
VCFI5C200-S0EC	4900		4600	4050	3450	2500	59	57	55	51	43	81	
VCFI5C250-S0EC	6600		6300	5200	4400	3250	61	59	56	52	43	83	
VCFI5C100-E1EC	2800		2600	2400	2150	1750	58	56	54	51	45	79	
VCFI5C150-E1EC	3850		3550	3200	2700	1950	58	57	54	49	42	80	
VCFI5C200-E1EC	4900		4600	4050	3450	2500	59	57	55	51	43	81	
VCFI5C250-E1EC	6600		6300	5200	4400	3250	61	59	56	52	43	83	
VCFI5C100-V2EC	2650		2500	2300	2050	1650	57	55	53	50	45	78	
VCFI5C150-V2EC	3750		3500	3100	2600	1900	58	58	55	49	42	80	
VCFI5C200-V2EC	4650		4400	3800	3250	2300	58	56	54	50	42	80	
VCFI5C250-V2EC	6400		6100	5150	4300	3050	60	59	56	52	43	82	
VCFI5C100-V6EC	2450		2300	2100	1900	1500	56	56	53	50	47	78	
VCFI5C150-V6EC	3300		3200	2850	2400	1650	58	56	53	52	43	80	
VCFI5C200-V6EC	4450		4150	3600	3050	2200	58	57	54	51	42	80	
VCFI5C250-V6EC	5900		5600	4750	4000	2800	59	59	56	50	43	81	

*1 Airflow volume according ISO27327-1

*2 Acoustic pressure values at 3 m distance for maximum speed. Directional factor: Q=2.

*3 Sound power (LWA) measurements according to ISO 27327-2.

VCFI5 AC

Type	Heater power output [kW]		Total power input [kW] ^{*1}	Total voltage/ current [V/A]	Motor voltage/ current [V/A]	Temperature increase Δt [°C]	Frequency [Hz]	Weight [kg] ^{*4}	
	1st level	2st level						BA	PR
VCFI5B100-S0AC	-	-	0,63	230/2,75	230/2,75	-	50	37	37
VCFI5B150-S0AC	-	-	0,9	230/4,0	230/4,0	-	50	51	51
VCFI5B200-S0AC	-	-	1,2	230/5,3	230/5,3	-	50	66	66
VCFI5B250-S0AC	-	-	1,5	230/6,5	230/6,5	-	50	80	80
VCFI5B100-E1AC	4,6	9,4	10,1	400/16,3	230/2,75	15,6 ^{*1}	50	39	40
VCFI5B150-E1AC	7,6	15	16	400/26,1	230/4,0	17,2 ^{*1}	50	54	55
VCFI5B200-E1AC	9,8	19	20,5	400/32,4	230/5,3	16,4 ^{*1}	50	71	72
VCFI5B250-E1AC	12,5	24,5	26,1	400/42,2	230/6,5	17,4 ^{*1}	50	85	86
VCFI5B100-V2AC	21,3 ^{*2}		0,63	230/2,75	230/2,75	38 ^{*2}	50	41	41
VCFI5B150-V2AC	31,6 ^{*2}		0,9	230/4,0	230/4,0	38 ^{*2}	50	56	56
VCFI5B200-V2AC	43,4 ^{*2}		1,2	230/5,3	230/5,3	38 ^{*2}	50	73	73
VCFI5B250-V2AC	53 ^{*2}		1,5	230/6,5	230/6,5	38 ^{*2}	50	87	87

VCFI5 EC

Type	Heater power output [kW]		Total power input [kW]	Total voltage/ current [V/A]	Motors voltage/ current [V/A]	Temperature increase Δt [°C]	Frequency [Hz]	Weight [kg] ^{*4}	
	1st level	2st level						BA	PR
VCFI5B100-S0EC	-	-	0,36	230/2,4	230/2,4	-	50/60	32	32
VCFI5B150-S0EC	-	-	0,54	230/3,5	230/3,5	-	50/60	43	43
VCFI5B200-S0EC	-	-	0,71	230/4,4	230/4,4	-	50/60	56	56
VCFI5B250-S0EC	-	-	0,85	230/5,4	230/5,4	-	50/60	65	65
VCFI5B100-E1EC	4,6	9,4	9,77	400/16	230/2,4	14,7 [*]	50/60	36	38
VCFI5B150-E1EC	7,6	15	15,54	400/25,2	230/3,5	16 [*]	50/60	47	49
VCFI5B200-E1EC	9,8	19	19,71	400/31,9	230/4,4	14,9 [*]	50/60	63	65
VCFI5B250-E1EC	12,5	24,5	25,35	400/40,8	230/5,4	15,5 [*]	50/60	75	77
VCFI5B100-V2EC	22,8 ^{*2}		0,35	230/2,4	230/2,4	35 ^{*2}	50/60	36	36
VCFI5B150-V2EC	35,0 ^{*2}		0,52	230/3,3	230/3,3	36 ^{*2}	50/60	47	47
VCFI5B200-V2EC	47,2 ^{*2}		0,73	230/4,3	230/4,3	36 ^{*2}	50/60	63	63
VCFI5B250-V2EC	58,0 ^{*2}		0,84	230/5,3	230/5,3	36 ^{*2}	50/60	76	76
VCFI5C100-S0EC	-	-	0,55	230/3,5	230/3,5	-	50/60	35	35
VCFI5C150-S0EC	-	-	0,72	230/4,4	230/4,4	-	50/60	45	45
VCFI5C200-S0EC	-	-	0,90	230/5,3	230/5,3	-	50/60	60	60
VCFI5C250-S0EC	-	-	1,20	230/7,3	230/7,3	-	50/60	69	69
VCFI5C100-E1EC	4,6	9,4	9,96	400/17	230/3,5	11,6 [*]	50/60	38	40
VCFI5C150-E1EC	7,6	15	15,72	400/26	230/4,4	12,3 [*]	50/60	50	52
VCFI5C200-E1EC	9,8	19	19,90	400/32	230/5,3	10 [*]	50/60	67	69
VCFI5C250-E1EC	12,5	24,5	25,7	400/42	230/7,3	11,4 [*]	50/60	79	81
VCFI5C100-V2EC	22,8 ^{*2}		0,53	230/3,5	230/3,5	31 ^{*2}	50/60	38	38
VCFI5C150-V2EC	35,0 ^{*2}		0,71	230/4,2	230/4,2	32 ^{*2}	50/60	50	50
VCFI5C200-V2EC	47,2 ^{*2}		0,90	230/5,4	230/5,4	33 ^{*2}	50/60	67	67
VCFI5C250-V2EC	58,0 ^{*2}		1,20	230/7,3	230/7,3	36 ^{*2}	50/60	80	80
VCFI5C100-V6EC	13,2 ^{*3}		0,53	230/3,4	230/3,4	16 ^{*3}	50/60	43	43
VCFI5C150-V6EC	18,7 ^{*3}		0,71	230/4,4	230/4,4	17 ^{*3}	50/60	60	60
VCFI5C200-V6EC	24,9 ^{*3}		0,85	230/5,3	230/5,3	17 ^{*3}	50/60	79	79
VCFI5C250-V6EC	32,9 ^{*3}		1,18	230/7,3	230/7,3	17 ^{*3}	50/60	97	97

* At the maximum air flow and maximum heater power.

^{*2} Intake air temperature +18°C, water temperature gradient of 90/70 °C and highest fan speed.

^{*3} Intake air temperature +18°C, water temperature gradient of 40/30 °C and highest fan speed.

^{*4} Weight with control BASIC / PRIME.

LPHW coil parameters for water temperature gradient of 90/70 °C

VCFI5 AC

Type	Air output	Heat output	Temperature at exhaust	Pressure loss	Water flow
	[m³/h]	[kW]	[°C]	[kPa]	[l/s]
VCFI5B100-V2AC	1700	21,3	55,1	10,2	0,26
VCFI5B150-V2AC	2450	31,6	56,2	10,0	0,39
VCFI5B200-V2AC	3400	43,4	55,8	12,0	0,54
VCFI5B250-V2AC	4100	53,0	56,3	18,6	0,65

VCFI5 EC

Type	Air output	Heat output	Temperature at exhaust	Pressure loss	Water flow
	[m³/h]	[kW]	[°C]	[kPa]	[l/s]
VCFI5B100-V2EC	1900	22,8	53,5	11,6	0,28
VCFI5B150-V2EC	2900	35,0	53,7	12,1	0,43
VCFI5B200-V2EC	3900	47,2	53,8	14,0	0,58
VCFI5B250-V2EC	4750	58,0	54,1	22,0	0,71
VCFI5C100-V2EC	2650	27,6	48,8	16,5	0,34
VCFI5C150-V2EC	3750	40,6	50,0	16,0	0,50
VCFI5C200-V2EC	4650	52,3	51,3	17,0	0,64
VCFI5C250-V2EC	6400	68,8	49,8	30,5	0,85

* Temperature of intake air: +18 °C

LPHW coil parameters for water temperature gradient of 80/60 °C

VCFI5 AC

Type	Air output	Heat output	Temperature at exhaust	Pressure loss	Water flow
	[m³/h]	[kW]	[°C]	[kPa]	[l/s]
VCFI5B100-V2AC	1700	17,4	48,4	7,1	0,21
VCFI5B150-V2AC	2450	25,9	49,3	7,0	0,32
VCFI5B200-V2AC	3400	35,5	49,0	8,3	0,44
VCFI5B250-V2AC	4100	43,6	49,5	13,1	0,54

VCFI5 EC

Type	Air output	Heat output	Temperature at exhaust	Pressure loss	Water flow
	[m³/h]	[kW]	[°C]	[kPa]	[l/s]
VCFI5B100-V2EC	1900	18,6	47,0	8,1	0,23
VCFI5B150-V2EC	2900	28,6	47,2	8,4	0,35
VCFI5B200-V2EC	3900	38,6	47,3	9,7	0,47
VCFI5B250-V2EC	4750	47,6	47,7	15,4	0,58
VCFI5C100-V2EC	2650	22,4	43,1	11,4	0,28
VCFI5C150-V2EC	3750	33,1	44,1	11,1	0,41
VCFI5C200-V2EC	4650	42,7	45,2	11,7	0,53
VCFI5C250-V2EC	6400	56,3	44,1	21,1	0,69

* Temperature of intake air: +18 °C

LPHW coil parameters for water temperature gradient of 70/50 °C
VCFI5 AC

Type	Air output	Heat output	Temperature at exhaustg	Pressure loss	Water flow
	[m³/h]	[kW]	[°C]	[kPa]	[l/s]
VCFI5B100-V2AC	1700	13,5	41,5	4,5	0,16
VCFI5B150-V2AC	2450	20,1	42,3	4,4	0,24
VCFI5B200-V2AC	3400	27,6	42,0	5,2	0,34
VCFI5B250-V2AC	4100	34,1	42,6	8,3	0,42

VCFI5 EC

Type	Air output	Heat output	Temperature at exhaust	Pressure loss	Water flow
	[m³/h]	[kW]	[°C]	[kPa]	[l/s]
VCFI5B100-V2EC	1900	14,4	40,4	5,1	0.18
VCFI5B150-V2EC	2900	22,2	40,6	5,3	0.27
VCFI5B200-V2EC	3900	29,9	40,7	6,1	0.36
VCFI5B250-V2EC	4750	37,1	41,2	9,8	0.45
VCFI5C100-V2EC	2650	17,3	37,3	7,1	0.21
VCFI5C150-V2EC	3750	25,5	38,2	6,9	0.31
VCFI5C200-V2EC	4650	33,0	39,0	7,3	0.40
VCFI5C250-V2EC	6400	43,8	38,3	13,4	0.54

* Temperature of intake air: +18 °C

LPHW coil parameters for water temperature gradient of 60/40 °C
VCFI5 AC

Type	Air output	Heat output	Temperature at exhaust	Pressure loss	Water flow
	[m³/h]	[kW]	[°C]	[kPa]	[l/s]
VCFI5B100-V2AC	1700	9,5	34,6	2,4	0,12
VCFI5B150-V2AC	2450	14,2	35,2	2,4	0,17
VCFI5B200-V2AC	3400	19,5	35,0	2,8	0,24
VCFI5B250-V2AC	4100	24,4	35,6	4,6	0,30

VCFI5 EC

Type	Air output	Heat output	Temperature at exhaust	Pressure loss	Water flow
	[m³/h]	[kW]	[°C]	[kPa]	[l/s]
VCFI5B100-V2EC	1900	10,1	33,8	2,7	0.12
VCFI5B150-V2EC	2900	15,6	33,9	2,8	0.19
VCFI5B200-V2EC	3900	21,1	34,0	3,2	0.26
VCFI5B250-V2EC	4750	26,5	34,5	5,3	0.32
VCFI5C100-V2EC	2650	12,1	31,5	3,7	0.15
VCFI5C150-V2EC	3750	17,9	32,1	3,6	0.22
VCFI5C200-V2EC	4650	23,2	32,8	3,8	0.28
VCFI5C250-V2EC	6400	31,1	32,4	7,2	0.38

* Temperature of intake air: +18 °C

LPHW coil parameters for water temperature gradient 40/30 °C**VCFI5 EC**

Type	Air output	Heat output	Temperature at exhaust	Pressure loss	Water flow
	[m ³ /h]	[kW]	[°C]	[kPa]	[l/s]
VCFI5C100-V6EC	2450	13,2	34,0	13,9	0.32
VCFI5C150-V6EC	3300	18,7	34,8	15,9	0.45
VCFI5C200-V6EC	4450	24,9	34,6	14,1	0.60
VCFI5C250-V6EC	5900	32,9	34,5	25,7	0.79

* Temperature of intake air: +18 °C

LPHW coil parameters for water temperature gradient 35/25 °C**VCFI5 EC**

Type	Air output	Heat output	Temperature at exhaust	Pressure loss	Water flow
	[m ³ /h]	[kW]	[°C]	[kPa]	[l/s]
VCFI5C100-V6EC	2450	8,9	28,8	6,9	0.21
VCFI5C150-V6EC	3300	12,8	29,5	8,1	0.31
VCFI5C200-V6EC	4450	16,9	29,3	7,0	0.41
VCFI5C250-V6EC	5900	22,5	29,3	12,9	0.54

* Temperature of intake air: +18 °C

Recommended mixing points for LPHW coil 3-way valve

Type	Control module	90/70 °C	80/60 °C	70/50 °C	60/40 °C
		3-way valve			
VCFI5B100-V2..	BASIC / PRIME (ON/OFF)	ZV3-230-04,0-20	ZV3-230-04,0-20	ZV3-230-04,0-20	ZV3-230-04,0-20
		RT-3-07	RT-3-07	RT-3-07	RT-3-07
	PRIME (0-10V)	ZV3-024-04,0-20	ZV3-024-04,0-20	ZV3-024-04,0-20	ZV3-024-04,0-20
VCFI5B150-V2..	BASIC / PRIME (ON/OFF)	ZV3-230-04,0-20	ZV3-230-04,0-20	ZV3-230-04,0-20	ZV3-230-04,0-20
		RT-3-07	RT-3-07	RT-3-07	RT-3-07
	PRIME (0-10V)	ZV3-024-04,0-20	ZV3-024-04,0-20	ZV3-024-04,0-20	ZV3-024-04,0-20
VCFI5B200-V2..	BASIC / PRIME (ON/OFF)	ZV3-230-21,0-20	ZV3-230-21,0-20	ZV3-230-21,0-20	ZV3-230-21,0-20
		RT-3-07	RT-3-07	RT-3-07	RT-3-07
	PRIME (0-10V)	ZV3-024-06,3-20	ZV3-024-06,3-20	ZV3-024-06,3-20	ZV3-024-06,3-20
VCFI5B250-V2..	BASIC / PRIME (ON/OFF)	ZV3-230-21,0-20	ZV3-230-21,0-20	ZV3-230-21,0-20	ZV3-230-21,0-20
		RT-3-07	RT-3-07	RT-3-07	RT-3-07
	PRIME (0-10V)	ZV3-024-06,3-20	ZV3-024-06,3-20	ZV3-024-06,3-20	ZV3-024-06,3-20
VCFI5C100-V2EC	BASIC / PRIME (ON/OFF)	ZV3-230-04,0-20	ZV3-230-04,0-20	ZV3-230-04,0-20	ZV3-230-04,0-20
		RT-3-07	RT-3-07	RT-3-07	RT-3-07
	PRIME (0-10V)	ZV3-024-04,0-20	ZV3-024-04,0-20	ZV3-024-04,0-20	ZV3-024-04,0-20
VCFI5C150-V2EC	BASIC / PRIME (ON/OFF)	ZV3-230-04,0-20	ZV3-230-04,0-20	ZV3-230-04,0-20	ZV3-230-04,0-20
		RT-3-07	RT-3-07	RT-3-07	RT-3-07
	PRIME (0-10V)	ZV3-024-04,0-20	ZV3-024-04,0-20	ZV3-024-04,0-20	ZV3-024-04,0-20
VCFI5C200-V2EC	BASIC / PRIME (ON/OFF)	ZV3-230-21,0-20	ZV3-230-21,0-20	ZV3-230-21,0-20	ZV3-230-21,0-20
		RT-3-07	RT-3-07	RT-3-07	RT-3-07
	PRIME (0-10V)	ZV3-024-06,3-20	ZV3-024-06,3-20	ZV3-024-06,3-20	ZV3-024-06,3-20
VCFI5C250-V2EC	BASIC / PRIME (ON/OFF)	ZV3-230-21,0-20	ZV3-230-21,0-20	ZV3-230-21,0-20	ZV3-230-21,0-20
		RT-3-07	RT-3-07	RT-3-07	RT-3-07
	PRIME (0-10V)	ZV3-024-06,3-20	ZV3-024-06,3-20	ZV3-024-06,3-20	ZV3-024-06,3-20

Type	Control module	40/30 °C	35/25 °C
		3-way valve	
VCFI5C100-V6EC	BASIC / PRIME (ON/OFF)	ZV3-230-04,0-20	ZV3-230-04,0-20
		RT-3-07	RT-3-07
	PRIME (0-10V)	ZV3-024-04,0-20	ZV3-024-04,0-20
VCFI5C150-V6EC	BASIC / PRIME (ON/OFF)	ZV3-230-04,0-20	ZV3-230-04,0-20
		RT-3-07	RT-3-07
	PRIME (0-10V)	ZV3-024-04,0-20	ZV3-024-04,0-20
VCFI5C200-V6EC	BASIC / PRIME (ON/OFF)	ZV3-230-04,0-20	ZV3-230-04,0-20
		RT-3-07	RT-3-07
	PRIME (0-10V)	ZV3-024-06,3-20	ZV3-024-06,3-20
VCFI5C250-V6EC	BASIC / PRIME (ON/OFF)	ZV3-230-21,0-20	ZV3-230-04,0-20
		RT-3-07	RT-3-07
	PRIME (0-10V)	ZV3-024-06,3-20	ZV3-024-06,3-20

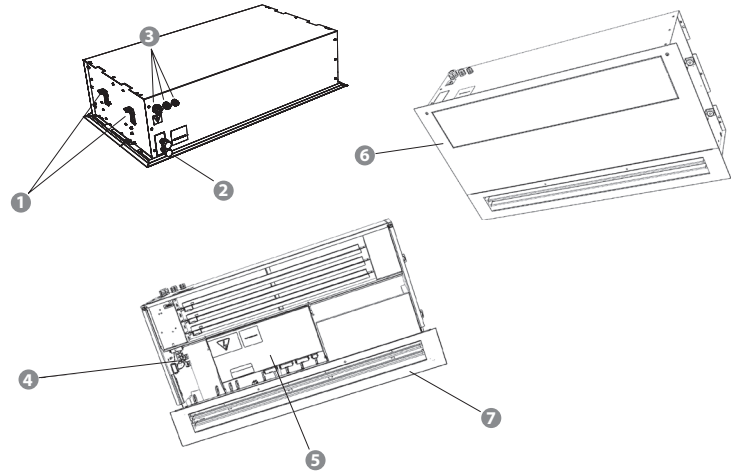
Recommended mixing points for LPHW coil 2-way valve

Type	Control module	90/70 °C	80/60 °C	70/50 °C	60/40 °C
		2-way valve			
VCFI5B100-V2..	BASIC / PRIME (ON/OFF)	ZV2-230-08,0-20	ZV2-230-08,0-20	ZV2-230-08,0-20	ZV2-230-08,0-20
	PRIME (0-10V)	ZV2-024-08,0-20	ZV2-024-08,0-20	ZV2-024-08,0-20	ZV2-024-08,0-20
VCFI5B150-V2..	BASIC / PRIME (ON/OFF)	ZV2-230-08,0-20	ZV2-230-08,0-20	ZV2-230-08,0-20	ZV2-230-08,0-20
	PRIME (0-10V)	ZV2-024-08,0-20	ZV2-024-08,0-20	ZV2-024-08,0-20	ZV2-024-08,0-20
VCFI5B200-V2..	BASIC / PRIME (ON/OFF)	ZV2-230-08,0-20	ZV2-230-08,0-20	ZV2-230-08,0-20	ZV2-230-08,0-20
	PRIME (0-10V)	ZV2-024-08,0-20	ZV2-024-08,0-20	ZV2-024-08,0-20	ZV2-024-08,0-20
VCFI5B250-V2..	BASIC / PRIME (ON/OFF)	ZV2-230-08,0-20	ZV2-230-08,0-20	ZV2-230-08,0-20	ZV2-230-08,0-20
	PRIME (0-10V)	ZV2-024-08,0-20	ZV2-024-08,0-20	ZV2-024-08,0-20	ZV2-024-08,0-20
VCFI5C100-V2EC	BASIC / PRIME (ON/OFF)	ZV2-230-08,0-20	ZV2-230-08,0-20	ZV2-230-08,0-20	ZV2-230-08,0-20
	PRIME (0-10V)	ZV2-024-08,0-20	ZV2-024-08,0-20	ZV2-024-08,0-20	ZV2-024-08,0-20
VCFI5C150-V2EC	BASIC / PRIME (ON/OFF)	ZV2-230-08,0-20	ZV2-230-08,0-20	ZV2-230-08,0-20	ZV2-230-08,0-20
	PRIME (0-10V)	ZV2-024-08,0-20	ZV2-024-08,0-20	ZV2-024-08,0-20	ZV2-024-08,0-20
VCFI5C200-V2EC	BASIC / PRIME (ON/OFF)	ZV2-230-08,0-20	ZV2-230-08,0-20	ZV2-230-08,0-20	ZV2-230-08,0-20
	PRIME (0-10V)	ZV2-024-08,0-20	ZV2-024-08,0-20	ZV2-024-08,0-20	ZV2-024-08,0-20
VCFI5C250-V2CEC	BASIC / PRIME (ON/OFF)	ZV2-230-08,0-20	ZV2-230-08,0-20	ZV2-230-08,0-20	ZV2-230-08,0-20
	PRIME (0-10V)	ZV2-024-08,0-20	ZV2-024-08,0-20	ZV2-024-08,0-20	ZV2-024-08,0-20

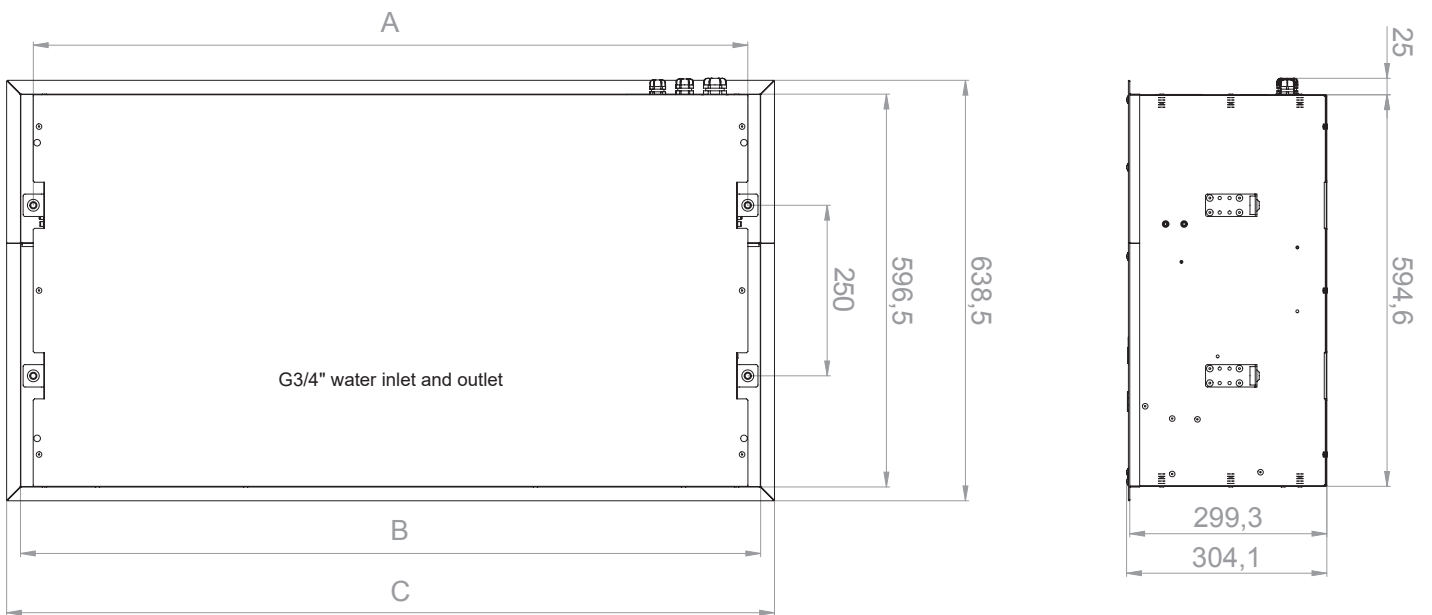
Type	Control module	40/30 °C	35/25 °C
		2-way valve	
VCFI5C100-V6EC	BASIC / PRIME (ON/OFF)	ZV2-230-08,0-20	ZV2-230-08,0-20
	PRIME (0-10V)	ZV2-024-08,0-20	ZV2-024-08,0-20
VCFI5C150-V6EC	BASIC / PRIME (ON/OFF)	ZV2-230-08,0-20	ZV2-230-08,0-20
	PRIME (0-10V)	ZV2-024-08,0-20	ZV2-024-08,0-20
VCFI5C200-V6EC	BASIC / PRIME (ON/OFF)	ZV2-230-08,0-20	ZV2-230-08,0-20
	SUPERIOR	ZV2-024-08,0-20	ZV2-024-08,0-20
VCFI5C250-V6CE	BASIC / PRIME (ON/OFF)	ZV2-230-08,0-20	ZV2-230-08,0-20
	PRIME (0-10V)	ZV2-024-08,0-20	ZV2-024-08,0-20

MAIN PARTS

- ① Suspension holders
- ② Water coil connection 3/4"
- ③ Power supply cable plug
- ④ Power supply connectors and fuse location
- ⑤ Control module
- ⑥ Inlet face cover
- ⑦ Outlet grid



DIMENSIONS

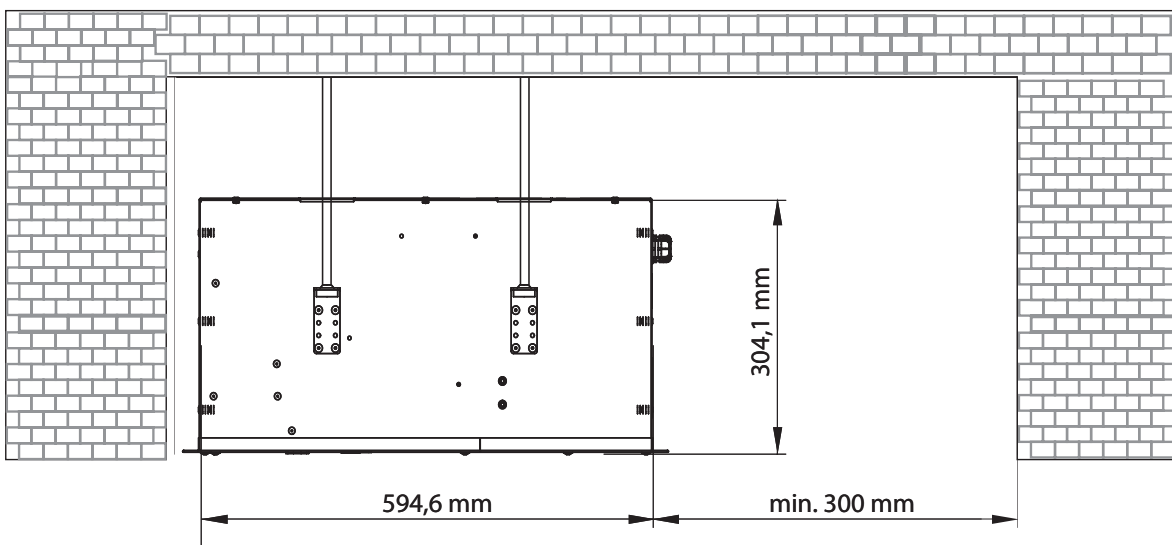


Type	A [mm]	B [mm]	C [mm]
VCF15-x-100-x...	1085	1124	1166
VCF15-x-150-x...	1585	1624	1666
VCF15-x-200-x...	2085	2124	2166
VCF15-x-250-x...	2465	2504	2546



INSTALLATION AND ASSEMBLY

- The air curtain shall be installed in a horizontal position only.
- The air curtain shall be located as close to the top edge of the doorway as possible, see figure.
- To ensure a correct function it is recommended that the air curtain overlaps the doorway by 100 mm on both sides.
- Correct operation of the air curtain requires that specified distances from the surrounding objects are observed, see figure.
- Position of the heating water and power supply connections and service access shall be taken into consideration during installation.
- Suspension holders are used for installing the air curtains see ACCESSORIES.
- The air curtain shall be installed separated from flammable materials and safe operation has to be kept.



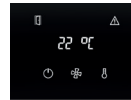
CONTROL

- The FINESSE air curtains are produced with **BASIC** or **PRIME** integration control.
The basic differences among individual control module types are given in table underneath.



CONTROL

Overview of functions and sensor connections



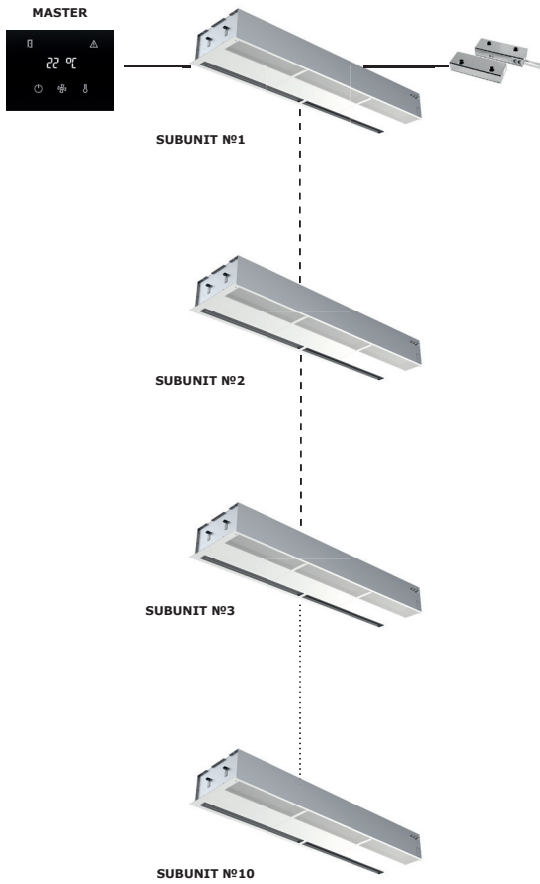
	AirGENIO control	PRIME	BASIC
	Control type	7-segment display with 3 capacity buttons	Manual switch
	Mode	Manual / Auto	Manual
	AC Fan control	AC – 3 steps	AC – 3 steps
	EC Fan control	EC – PWM/0-10V	EC – PWM/0-10V
	Electric heater control	PWM	0 / 50% / 100%
	Water heater control	ON-OFF or 0-10V (settable logic NO/NC)	ON-OFF
	Status indication	Yes (LED on display)	No
	AirGENIO PRIME application	Change of settings	No
	Auto-speed control	Yes	No
	Timer	Yes	No
	Temperature control	Yes (NTC) Built in control panel	No
	DOOR contact connection	Yes Settable logic (NO/NC)	Yes (230V only)
	Summer mode	Yes	No
	Antifreeze protection (LPHW)	Yes (Control by temperature sensor)	No
	Chaining	Yes (max. 10pcs)	No
	ERROR contact	Yes (Jumper setting) / HEAT or RUN+ERROR	No
	RUN contact	Yes (Jumper setting) / HEAT or RUN+ERROR	No
	External control	Yes settable logic (NO/NC)	Yes
	BMS connection	Modbus RTU	No
	Clean intervals	Yes	No



CHAINING EXAMPLE

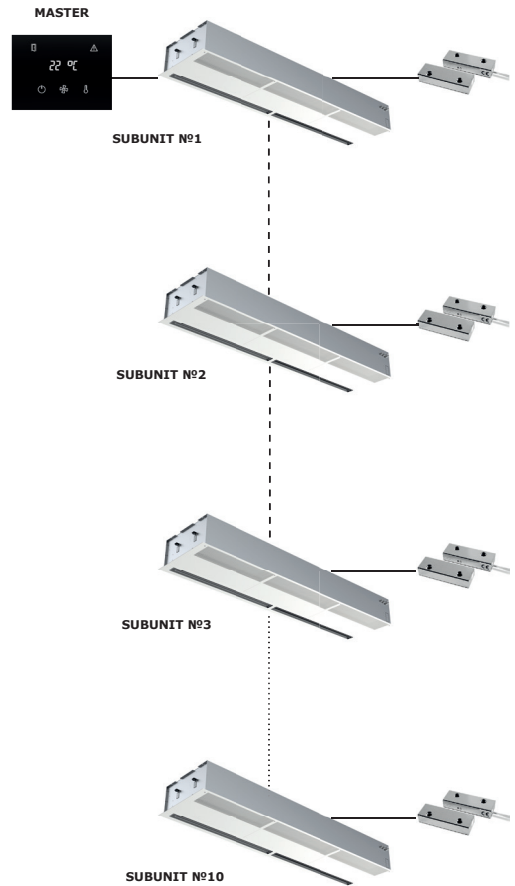
PRIME

GLOBAL DOOR CONTACT FUNCTION ACTIVE



PRIME

GLOBAL DOOR CONTACT FUNCTION NOT ACTIVE





OPTIONAL ACCESSORIES

More details can be found on the relevant page in this catalogue

Thermostatic valve TV-1-1/1
TV-1-1/1



2-way or 3-way valve with servo drive (230V)
ZV2-230-xx,x-xx
ZV3-230-xx,x-xx
(for BASIC and PRIME control)



3-way valve with servo drive RT
RT-3-07 (K_{vs} 07)
(for BASIC and PRIME control)



2-way or 3-way valve with servo drive (0-10V)
ZV2-024-xx,x-xx
ZV3-024-xx,x-xx
(for PRIME control only)



Room thermostat
TER-P



Room temperature sensor for wall installation

CT-ROOM

(for PRIME)



Mechanical industry door switch

DS

Heavy-duty door contact for industry use



Magnetic door contact

DK-B-3

Magnetic door contact in metal housing with higher protection against mechanical damage

(for BASIC EC and PRIME control)



Filter Coarse 30% (G1)

For ambient and water version only

VCFI4-100-FI-G1

G1 - Coarse 30%

FI - Spare air filters

100 - Nominal length 1000mm

150 - Nominal length 1500mm

200 - Nominal length 2000mm

250 - Nominal length 2500mm

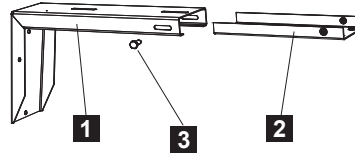
VCFI5 - Accessory for FINESSE air curtain



Wall mounting bracket

Bracket designed for mounting the air curtain to the wall.

- 1 Bracket
- 2 Hanging strip
- 3 Securing screw



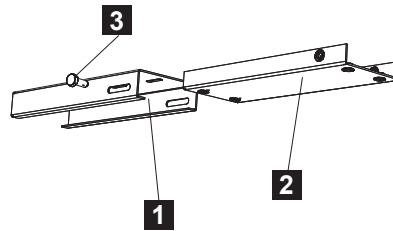
VCS4-KONZ-STE

- for B and C air curtains (2 pcs. in package)
- wall mounting bracket

Ceiling holder

The holder is designed for attaching the air curtain to a ceiling.

- 1 Ceiling bracket
- 2 Hanging strip
- 3 Securing screw



VCS4-KONZ-STR

- for B and C air curtains (2 pcs. in package)
- ceiling holder

Exit sign for marking of emergency exits.

Suitable for all types of air curtains.

VCS4-EXIT



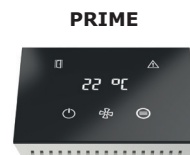
Control panel



KEY TO CODING

CP-CB-AP1-EX-A3

- A3** - AC fans 3 speeds (PRIME control)
- EC** - EC fans (PRIME control)
- EX** - Electric version
- VX** - Water version
- AM** - Ambient - No heating





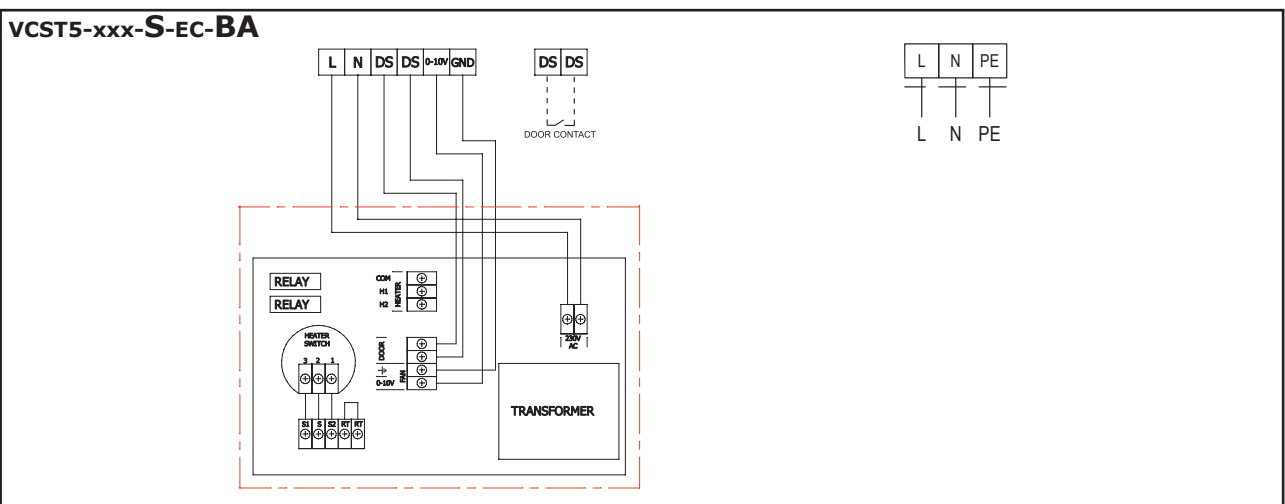
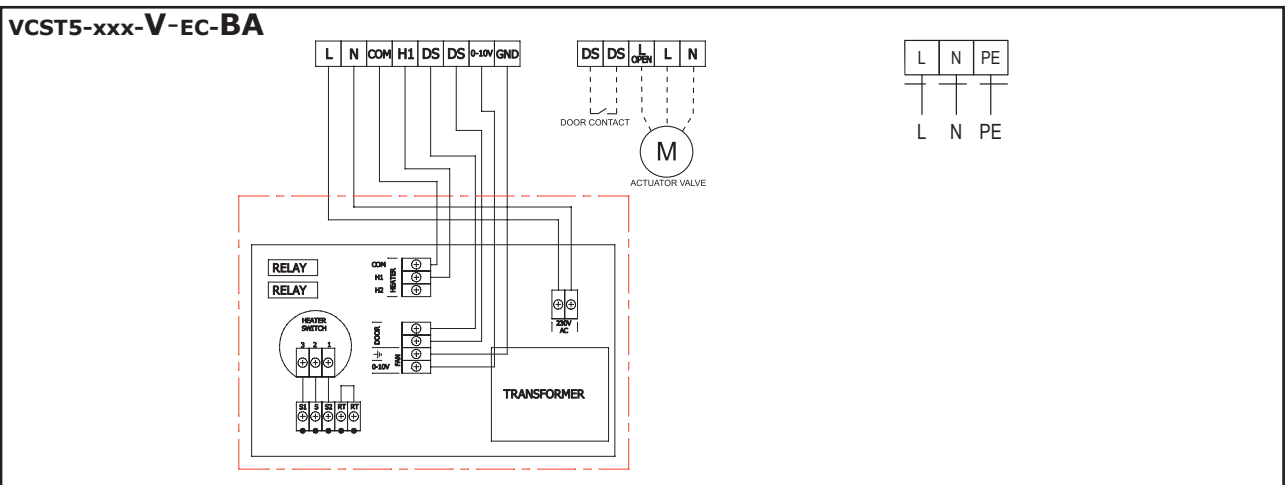
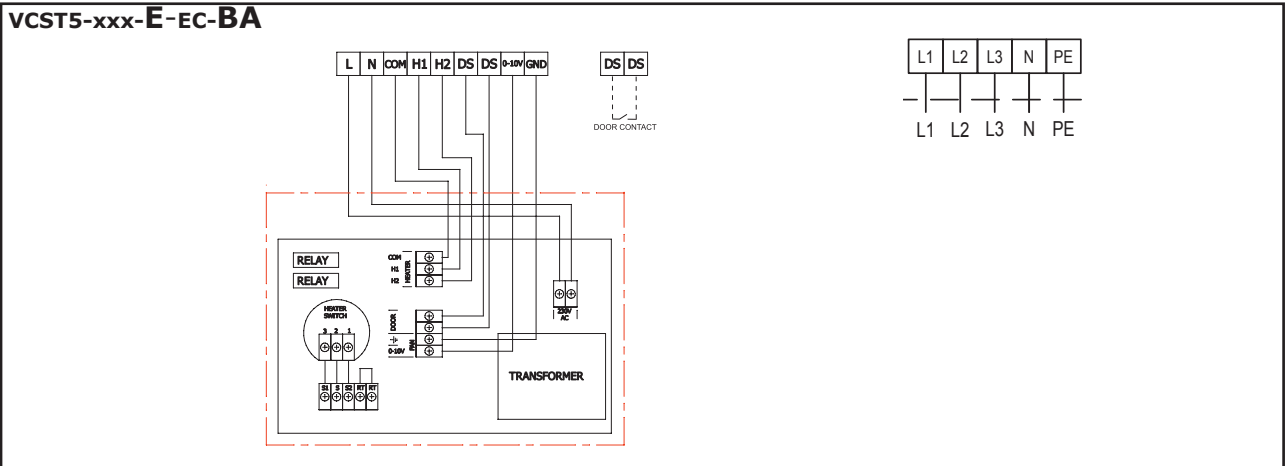
WIRING DIAGRAMS

The recommended cross-section of the main power supply cables is stated in the Instruction Manual. All wiring diagrams provided in the technical catalog are indicative only. When assembling the product, carefully observe the nameplate ratings as well as directions and diagrams affixed directly to the product or enclosed with the product.



AirGENIO BASIC

BASIC EC



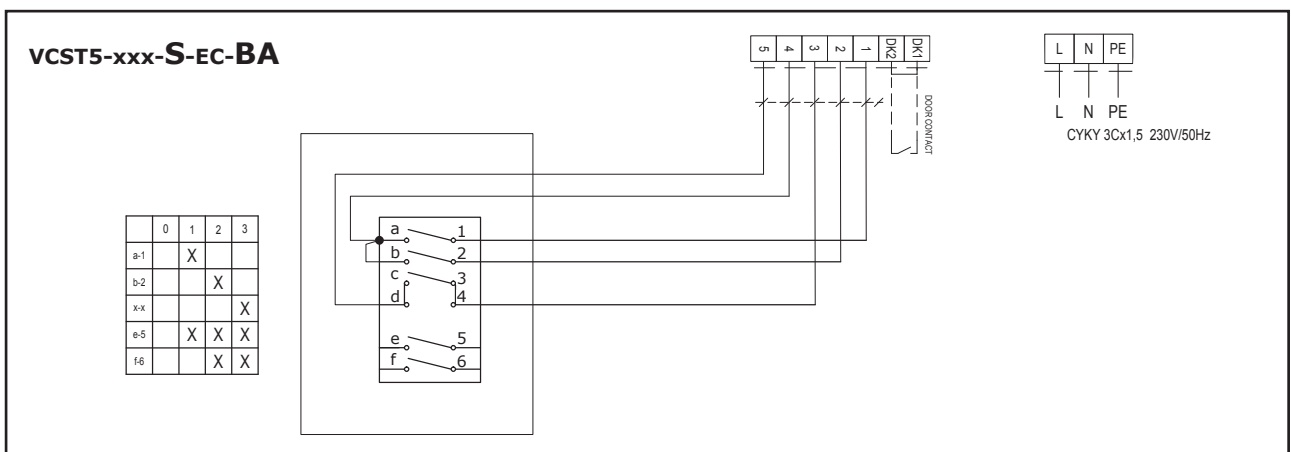
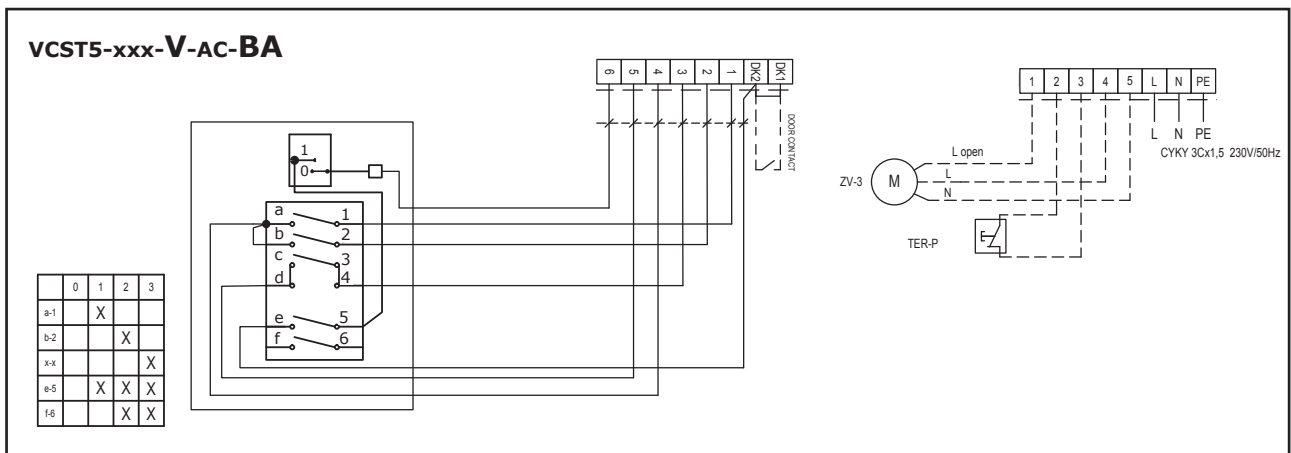
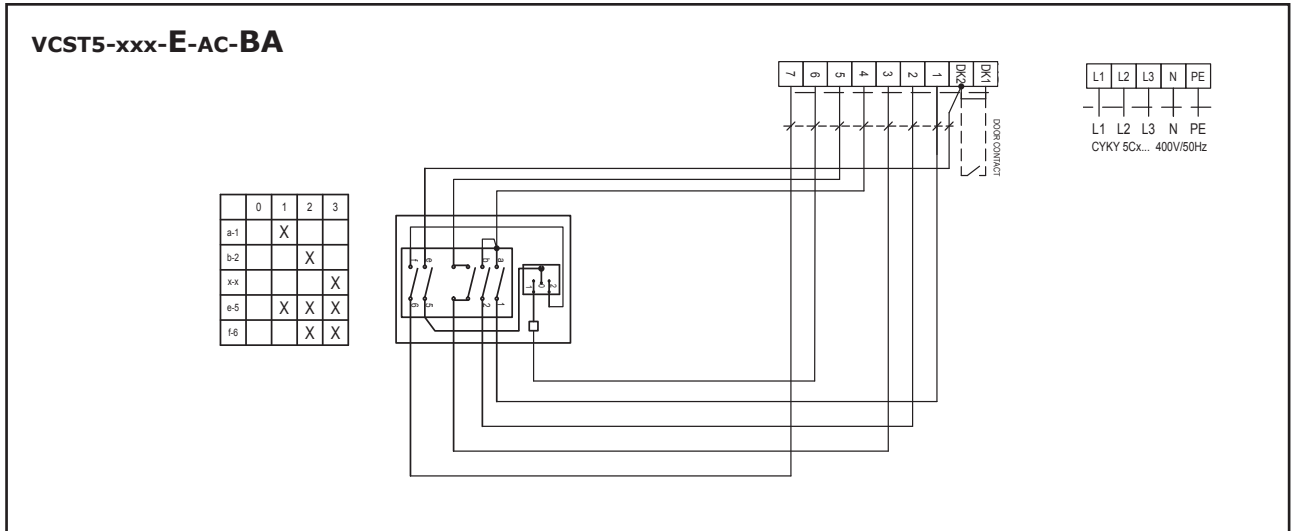


WIRING DIAGRAMS



AirGENIO BASIC

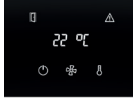
BASIC AC



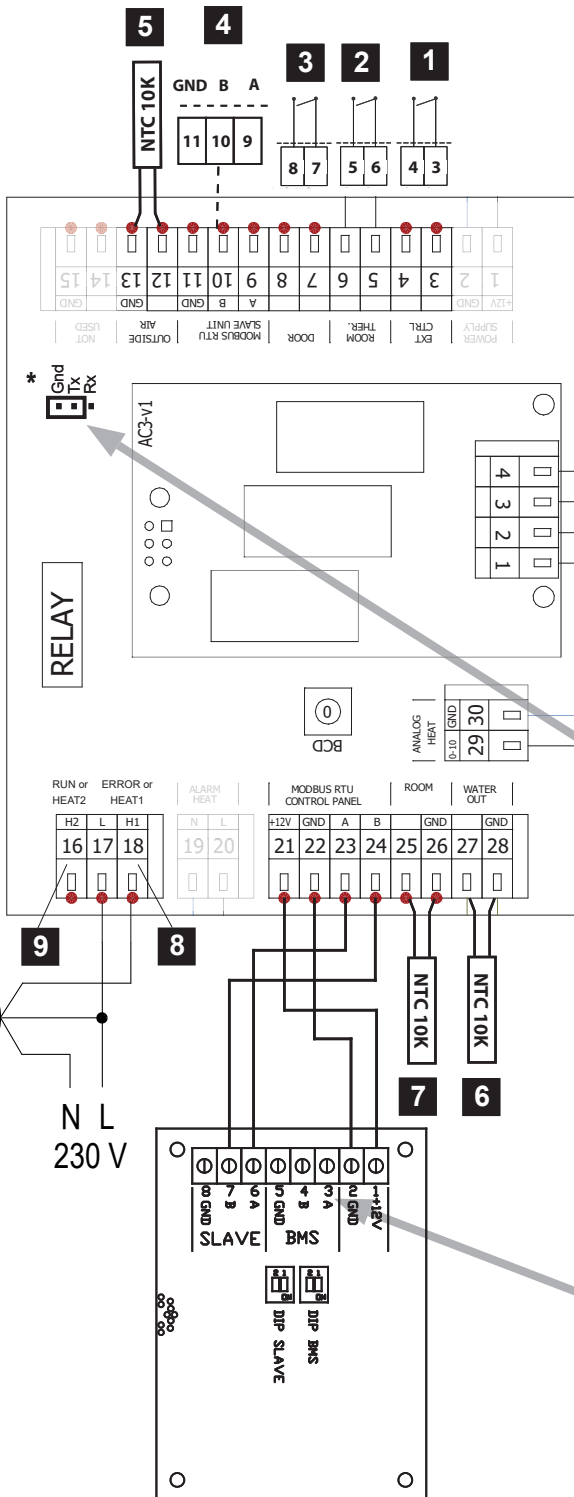


WIRING DIAGRAMS

AirGENIO PRIME AC/EC MASTER



Electric heater	Air-only	Water heater
L1 L2 L3 N PE	L1 N PE	L1 N PE
L1 L2 L3 N PE	L1 N PE	L1 N PE



1	External control - (input, ON/OFF)
2	Room Thermostat (input, NO/NC)
3	DOOR contact (input, NO/NC)
4	SLAVE unit connection
5	Outside air sensor (not included in delivery)
6	Antifreeze for water version (included in delivery)
7	Room sensor (not included in delivery)
8	Water valve control ON/OFF or ERROR
9	RUN or HEAT2
10	Water valve control (0-10V)



Water valve control is in default 0-10V

*For NO/OFF water valve control, it is necessary to connect the jumper between GND and Tx



Enable ON/OFF valve and deactivate RUN/ERROR

The default setting from the factory is without the jumper



Enable RUN/ERROR and deactivate ON/OFF valve

Modbus RTU (A - 3, B - 4, GND - 5)

To connect the controller with the unit control, we recommend using a shielded cable such as UTP CAT5. The maximum recommended cable length is 40m!

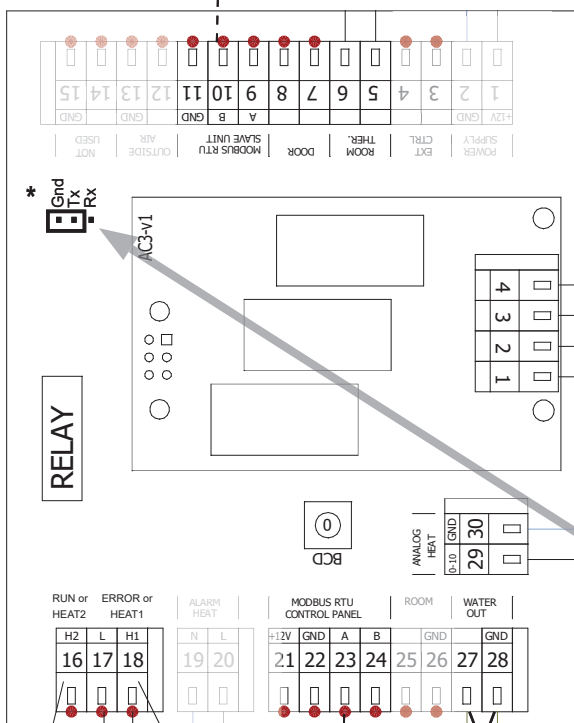
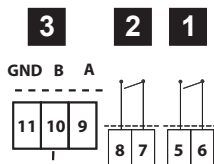
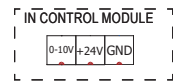
CONTROL PANEL - MASTER



WIRING DIAGRAMS

AirGENIO PRIME AC/EC SUBUNITS

Electric heater	Air-only	Water heater
L1 L2 L3 N PE	L1 N PE	L1 N PE
L1 L2 L3 N PE	L1 N PE	L1 N PE



1	Room Thermostat (input, NO/NC)
2	DOOR contact (input, NO/NC)
3	SLAVE unit connection
4	Antifreeze sensor LPHW (included in delivery)
5	Water valve control ON/OFF or ERROR
6	RUN or HEAT2
7	Water valve control (0-10V)
8	MASTER unit connection



Water valve control is in default 0-10V

*For **NO/OFF water valve control**, it is necessary to connect the jumper between GND and Tx

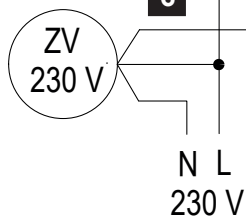


Enable **ON/OFF** valve and deactivate RUN/ERROR

The default setting from the factory is without the jumper

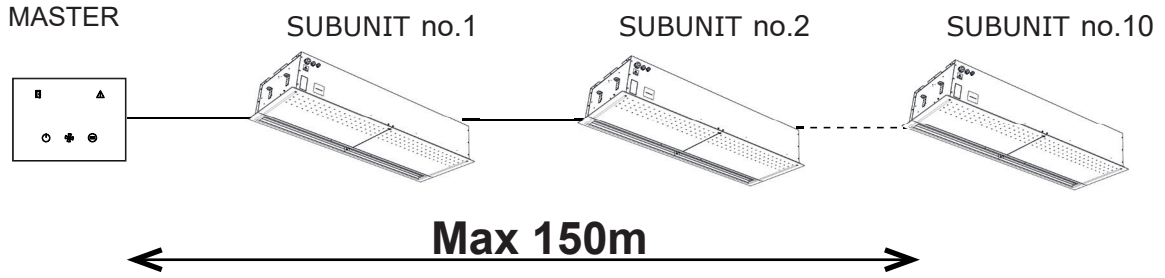


Enable **RUN/ERROR** and deactivate ON/OFF valve

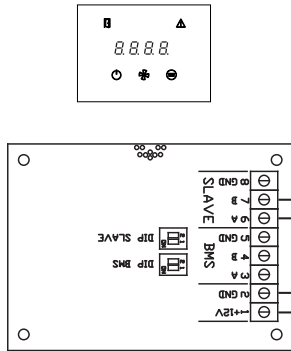




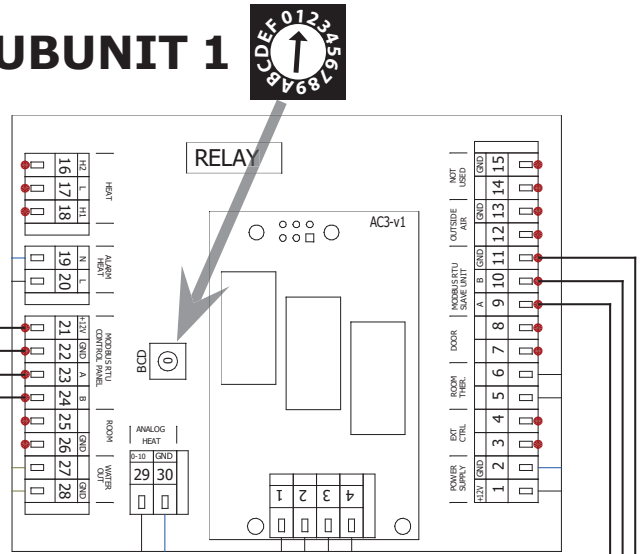
WIRING DIAGRAMS
Chaining



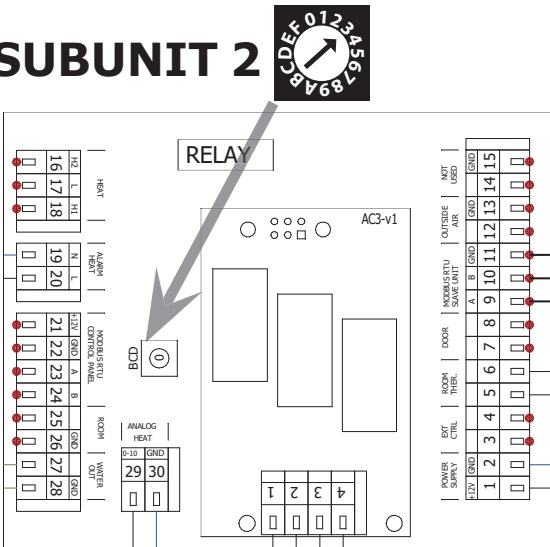
MASTER



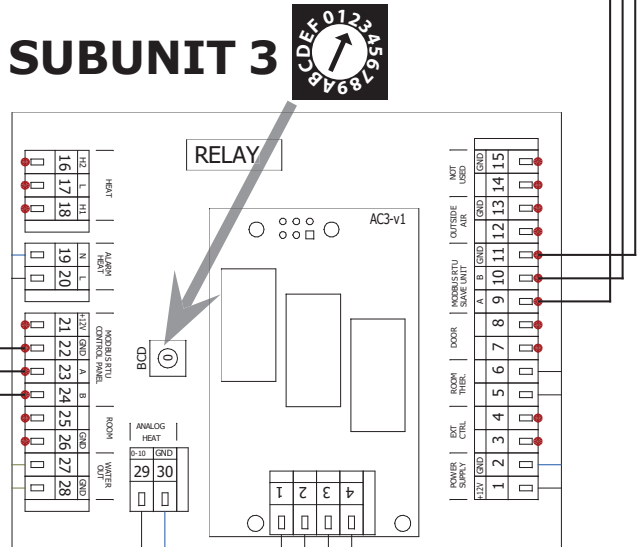
SUBUNIT 1



SUBUNIT 2



SUBUNIT 3





KEY TO CODING

VCFI5 B 100 - S0 EC - PR - 0 A0

	A0	2VW version
	0	White colour casing RAL 9016 (Standard)
	9	Atyp RAL casing
	PR	PRIME Master (integrated control with control panel)
	PS	PRIME Subunit (integrated control without control panel)
	BA	BASIC control (integrated control with control panel)
	EC	EC fans
	AC	AC fans
	S0	Air-only (ambient)
	E1	Electric heater
	V2	Water heating 2row coil
	V6	Water heating 6row coil (available only for VCFI5C)
	100	Nominal width 1000 mm
	150	Nominal width 1500 mm
	200	Nominal width 2000 mm
	250	Nominal width 2500 mm
	B	B Output series
	C	C Output series (EC version only)
	VCFI5	FINESSE air curtain (5th generation)