

## FLANGED STAINLESS STEEL Y STRAINER PN16 DIN F1 LOW TEMPERATURE

Stainless steel Y strainer flanged PN16 for filtration of fluids in chemical and pharmaceutical industries, petrochemical industries, hydraulic installation, compressed air.

Strainer with removable filter and bolted bonnet

Threaded BSP draining cap allowing to install a draining valve.

2 TFM 4215 gaskets for the bonnet and the cap.

Compatible with explosive atmosphere, ATEX Zone 1&21 and Zone 2&22.



**Certificate**  
**3.1**



**Size :** DN15 to DN200

**Connection :** Flanges RF PN10/16

**Min Temperature :** -40°C

**Max Temperature :** +200°C

**Max Pressure :** 16 Bars

**Specifications :** Removable stainless steel filter  
Bolted bonnet with draining cap  
TFM 4215 gaskets  
ATEX

**Materials :** Stainless steel EN 1.4408

FLANGED STAINLESS STEEL Y STRAINER PN16 DIN F1 LOW TEMPERATURE

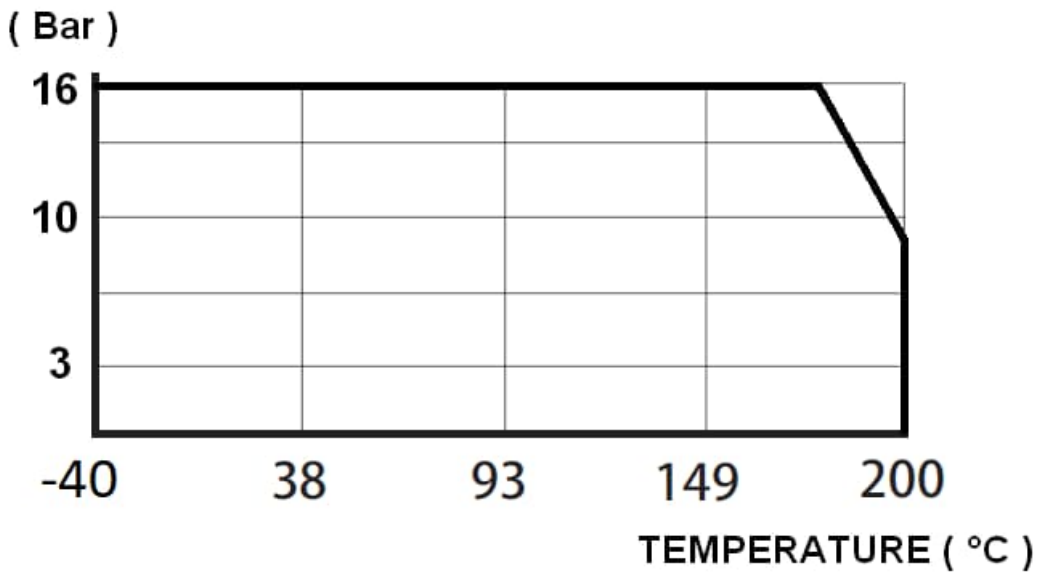
**SPECIFICATIONS :**

- Removable stainless steel filter
- PN16 Flanges R.F.
- Horizontal or vertical position with descendant fluid (respect the flow direction indicated by the arrow )
- Mesh 8/10° mm ( 800 μ ) up to DN 50 , 10/10° mm from DN 65 to 80 and 30/10° over
- Bolted bonnet with draining cap threaded BSP

**USE :**

- For Chemical and pharmaceutical industries, petrochemical industries, hydraulic installation, compressed air
- Min Temperature Ts : - 40°C
- Max Temperature Ts : + 200°C
- Max Pressure Ps : 16 bars ( see graph )
- Steam : 10 bars maximum

**PRESSURE / TEMPERATURE GRAPH ( STEAM EXCLUDED ) :**



**FLOW COEFFICIENT Kv ( M3 / h ) :**

DN	15	20	25	32	40	50	65	80	100	125	150	200
Kv ( m3/h )	2.59	6.05	12.1	17.3	27.7	56.2	85.5	138.4	259.5	415.1	605.4	882.3

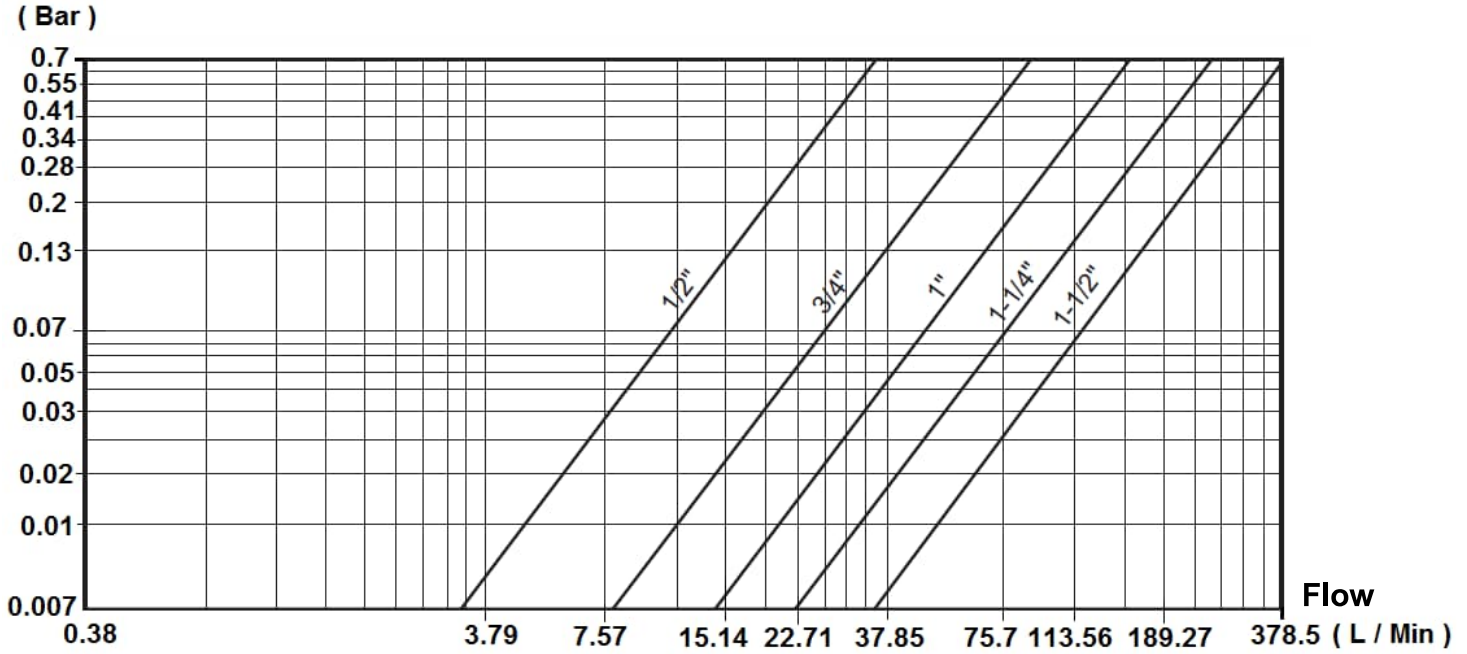
**RANGE :**

- Stainless steel Y strainer low temperature PN10/16 Flanges R.F. from DN 15 to DN 150 and PN16 for DN200 **Ref.240L**

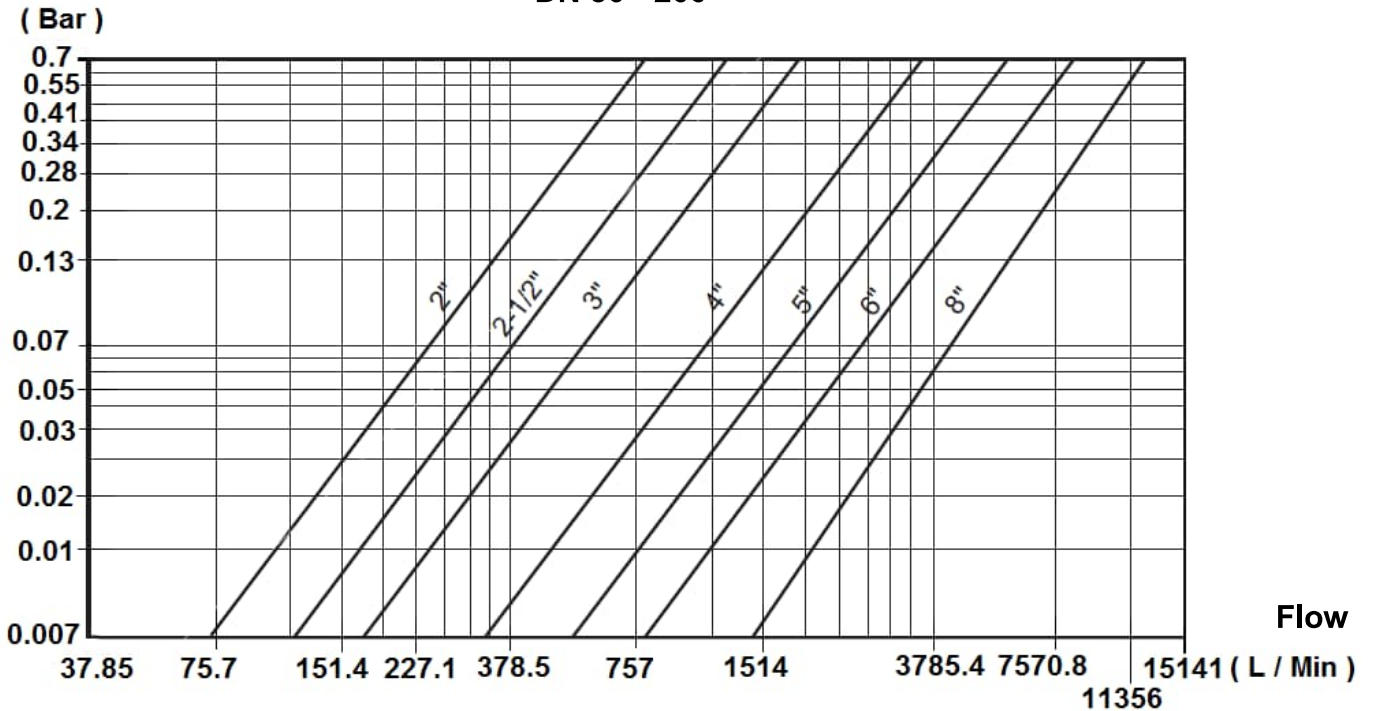
**FLANGED STAINLESS STEEL Y STRAINER PN16 DIN F1 LOW TEMPERATURE**

HEAD LOSS GRAPH :

**DN 15 - 40**

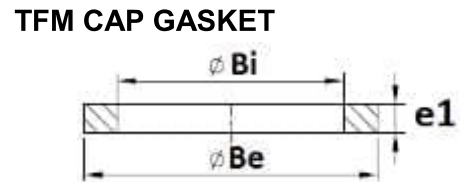
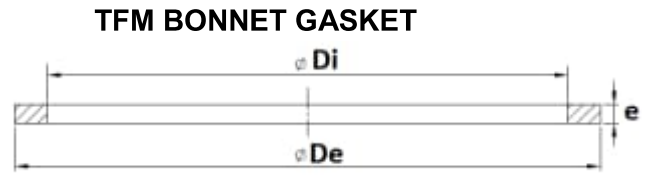
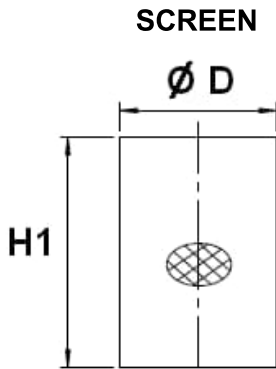


**DN 50 - 200**



FLANGED STAINLESS STEEL Y STRAINER PN16 DIN F1 LOW TEMPERATURE

**REPAIRABILITY:**

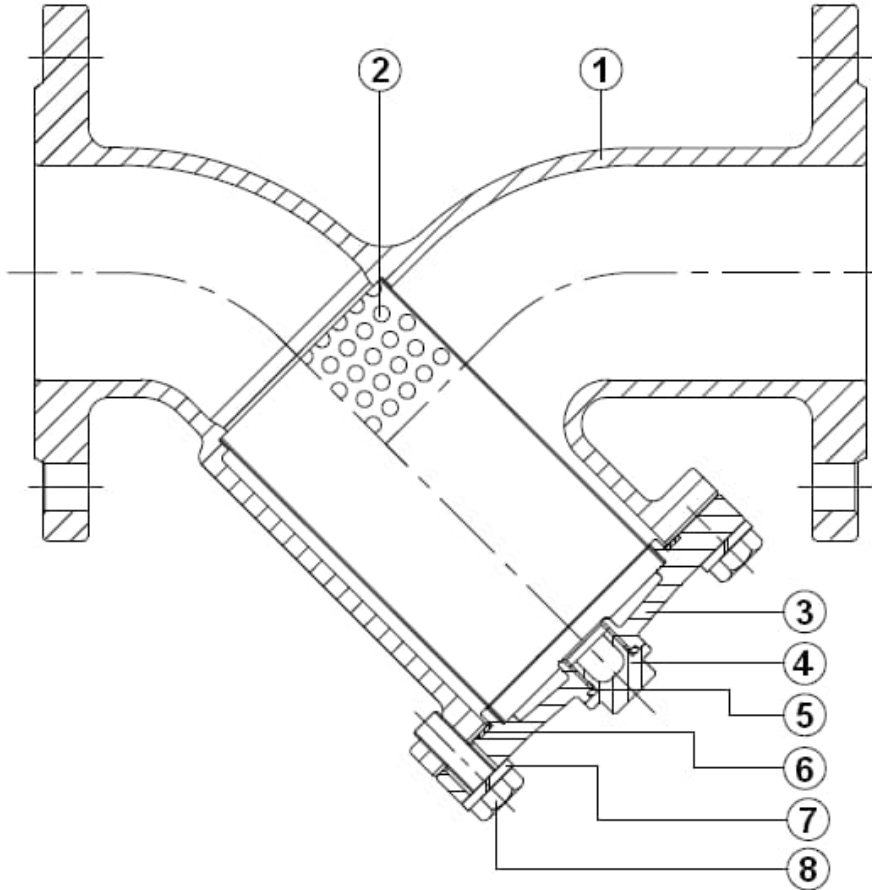


		DN	15	20	25	32	40	50
<b>Screen</b>	<b>Size</b>	Ø D x H1	18 x 57	23 x 55	29 x 88	40 x 82	43 x 100	54 x 103
	<b>Standard filtration</b>	Mesh	0.8					
		<b>Ref.</b>	<b>9805120</b>	<b>9805121</b>	<b>9805122</b>	<b>9805123</b>	<b>9805124</b>	<b>9805125</b>
<b>Gaskets kit</b>	<b>Cap gasket</b>	Ø Bi x Ø Be x e1	21 x 25.5 x 3					
	<b>Bonnet gasket</b>	Ø Di x Ø De x e	29 x 36 x 2,5	34 x 43 x 2,5	39 x 48 x 2,5	50 x 59 x 3	54 x 63 x 3	64 x 72 x 3
	<b>Ref.</b>		<b>9805132</b>	<b>9805133</b>	<b>9805134</b>	<b>9805135</b>	<b>9805136</b>	<b>9805137</b>

		DN	65	80	100	125	150	200
<b>Screen</b>	<b>Size</b>	Ø D x H1	68 x 135	84 x 150	103 x 159	130 x 220	154 x 250	208 x 300
	<b>Standard filtration</b>	Mesh	1		3			
		<b>Ref.</b>	<b>9805126</b>	<b>9805127</b>	<b>9805128</b>	<b>9805129</b>	<b>9805130</b>	<b>9805131</b>
<b>Gaskets kit</b>	<b>Cap gasket</b>	Ø Bi x Ø Be x e1	21 x 25.5 x 3		26.5 x 35 x 3			
	<b>Bonnet gasket</b>	Ø Di x Ø De x e	79 x 88 x 3	93 x 106 x 3	119x130x3	148x156x3	182x193x3.5	239x251x3.5
	<b>Ref.</b>		<b>9805138</b>	<b>9805139</b>	<b>9805140</b>	<b>9805141</b>	<b>9805142</b>	<b>9805143</b>

**FLANGED STAINLESS STEEL Y STRAINER PN16 DIN F1 LOW TEMPERATURE**

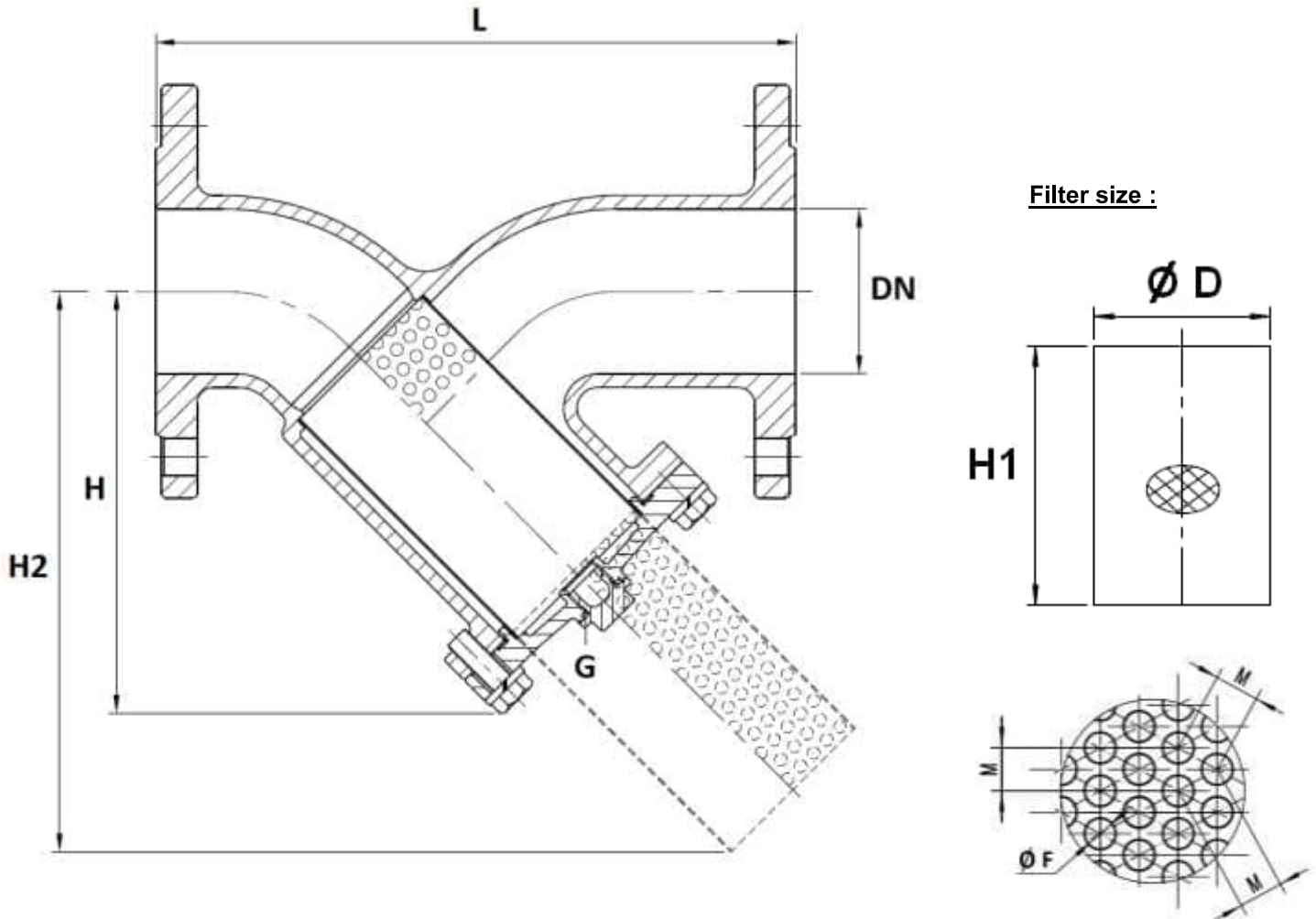
**MATERIALS :**



Item	Designation	Materials
1	Body	EN 1.4408
2	Filter	AISI 316
3	Bonnet	EN 1.4408
4	Draining cap	
5	Gasket	TFM 4215
6	Bonnet gasket	
7	Washer	AISI 304
8	Screw	

**FLANGED STAINLESS STEEL Y STRAINER PN16 DIN F1 LOW TEMPERATURE**

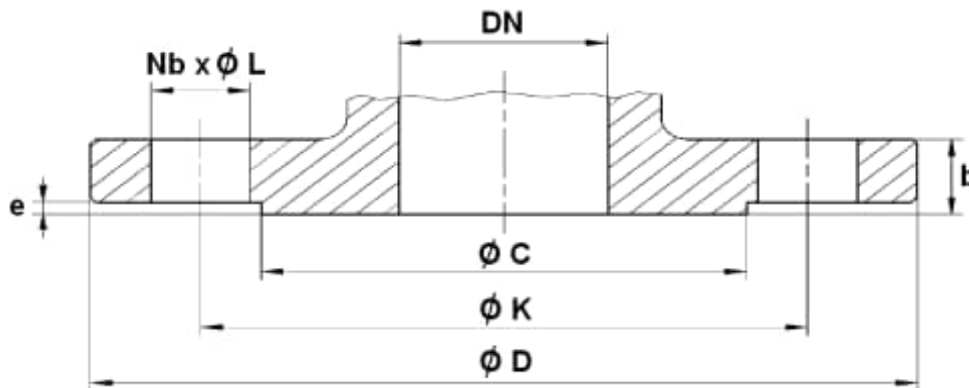
**SIZE ( in mm ) :**



DN	15	20	25	32	40	50	65	80	100	125	150	200
L	130	150	160	180	200	230	290	310	350	400	480	600
H	85	85	112	114	132	150	185	200	232	274	328	410
H2 (mini)	104	99	149	144	171.5	192.5	250	272	306	396	456	574
G ( drain )	1/2"								3/4"			
Ø D	18	23	29	40	43	54	68	84	103	130	154	208
H1	57	55	88	82	100	103	135	150	159	220	250	300
Mesh ( Ø F)	0,8						1		3			
M	1,8						2		4			
Weight (Kg)	2	2,7	3,5	5	6,1	8,1	12,3	15,5	22	30	41	77,1
Ref.	240L015	240L020	240L025	240L032	240L040	240L050	240L065	240L080	240L100	240L125	240L150	240L200

**FLANGED STAINLESS STEEL Y STRAINER PN16 DIN F1 LOW TEMPERATURE**

PN16 FLANGES SIZE ( in mm ) :



DN	15	20	25	32	40	50	65	80	100	125	150	200
Ø C	45	58	68	78	88	102	122	138	158	188	212	268
Ø D	95	105	115	140	150	165	185	200	220	250	285	340
Ø K	65	75	85	100	110	125	145	160	180	210	240	295
Nb x Ø L	4 x 14	4 x 14	4 x 14	4 x 18	4 x 18	4 x 18	4 x 18	8 x 18	8 x 18	8 x 18	8 x 22	12 x 22
b	14	16	16	16	16	18	18	20	20	22	22	24
e	2	2	2	2	3	3	3	3	3	3	3	3

## FLANGED STAINLESS STEEL Y STRAINER PN16 DIN F1 LOW TEMPERATURE

### STANDARDS :

- Manufacturer certified ISO 9001 : 2015 and ISO 14001 : 2015
- DIRECTIVE 2014/68/EU : For liquids and gas of Group 1
  - DN15-25 : Article 4, §3 (SEP), no CE marking
  - DN32-50 : Risk Category I, marking CE0035
  - DN65-200 : Risk Category II, marking CE0035
- Certificate 3.1 on request
- Construction according to EN 12516-1
- Pressure tests according to API 598, table 6
- Length according to EN 558 series1 (DIN 3202-1 F1 – NF 29354)
- PN16 Flanges R.F. according to EN 1092-1
- ATEX Group II Category 2 G/2D Zone 1 & 21 Zone 2 & 22 ( **optional marking** )
- Foundry certified Bureau Veritas Marine & Offshore according to NR320 (BV Marine recognition Mode II)

### INSTALLATION POSITIONS :

Vertical position ( descendand fluid )



Horizontal position



**ADVICE :** Our opinion and our advice are not guaranteed and SFERACO shall not be liable for the consequences of damages. The customer must check the right choice of the products with the real service conditions.