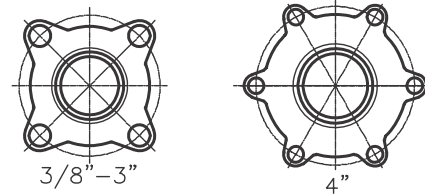
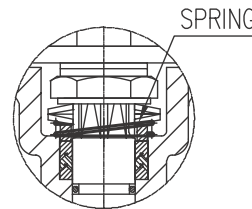
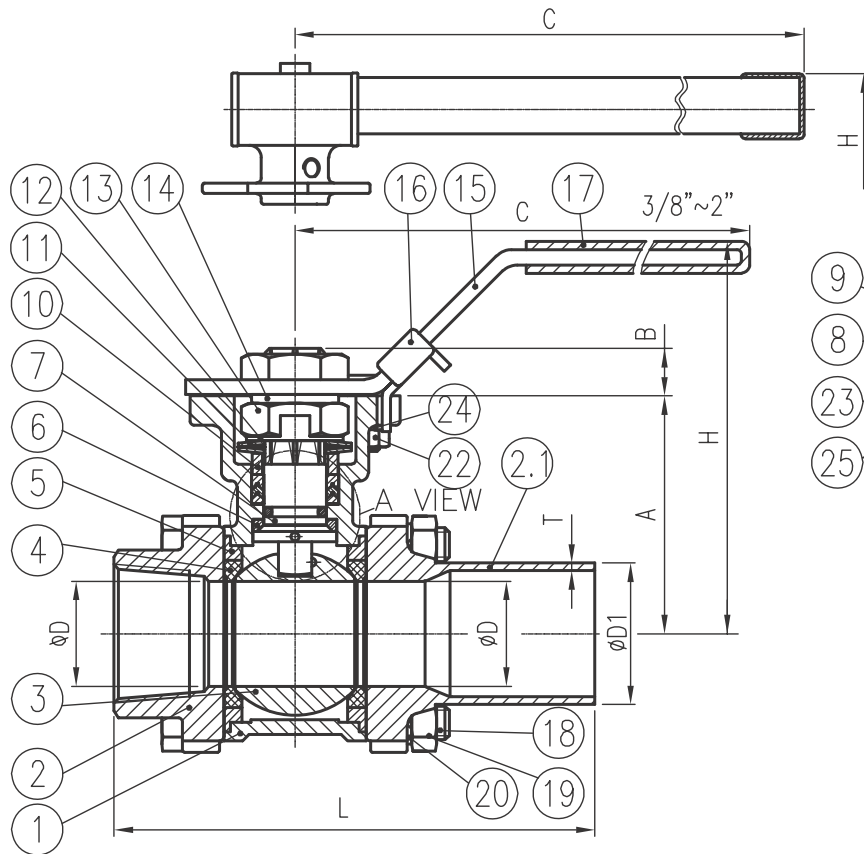


Online 2707K/H

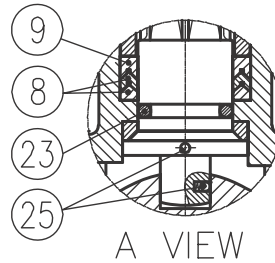
DIRECT MOUNT
3-PIECE FULL PORT BALL VALVES
3/8"~4" DN10~DN100
THREADED ENDS & EXTENDED BUTT WELD ENDS 1000/800PSI



2-1/2"~4" T-Handle



PS: 3/8"~1/2" use Spring for Anti-static Device



PS: 3/8"~2" 1000 WOG
 2-1/2"~4" 800 WOG

MATERIALS LIST

NO.	PART NAME	QTY	MATERIAL
1	Body	1	CF8M
2	THREADED END	1	CF8M
2.1	BUTT WELD END	1	CF3M
3	Ball	1	SS316/CF8M
4	Seat	2	CTFE
5	Joint Gasket	2	CTFE
6	Thrust Washer	1	CTFE
7	Stem	1	3/8"-3"SS316 4"-17-4PH
8	Gland Packing	#	CTFE
9	Gland Packing	1	CTFE
10	Gland Bush	1	SS304
11	Belleville Washer	2	SS301
12	Stop Washer	1	SS304
13	Stem Nut	2	SS304
14	Stem Washer	1	SS304
15	Handle	1	SS304
16	Locking Device	1	SS304
17	Handle Cover	1	VINYL
18	Bolt	*	SS304
19	Bolt Nut	&	SS304
20	Blot Washer	&	SS304
21	Stop Pin	1	SS304
22	Pin Nut	1	SS304
23	O-Ring	1	VITON
24	Washer	1	SS304
25	Anti-static Device	@	SS316

PS: # For 3/8"~2" 2PCS, 2-1/2"~4" 3PCS
 * For 3/8" to 2"-4pcs of bolts(single ended external thread)
 * For 2-1/2" to 3"-4pcs of bolts(double ended external thread)
 * For 4"-6pcs of bolts(double ended external thread)
 & For 3/8" to 2"-4pcs
 & For 2-1/2" to 3"-8pcs
 & For 4"-12pcs
 \$ For 2-1/2" to 4"-2pcs
 @ For 3/8" to 1/2"-1pcs
 @ For 3/4" to 4"-2pcs

DIMENSION(mm)

TUOTE	SIZE	ØD	ØD1	T	A	B	C	ØE	ØF	G	L	H	Ød1	Ød2	ISO5211
ABW378	3/8"	12.7	17.2	1.6	42.1	6.1	139	36	42	9	91.95	77	6	6	FOR F03 FOR F04
ABW379	1/2"	15	21.3	1.6	42.1	6.1	139	36	42	9	102.95	77	6	6	FOR F03 FOR F04
ABW380	3/4"	20	26.9	1.6	48	6.6	139	36	42	9	108.1	83	6	6	FOR F03 FOR F04
ABW381	1"	25	33.7	1.8	56.6	10.9	165	42	50	11	119.2	96	6	7	FOR F04 FOR F05
ABW382	1-1/4"	32	42.4	2	60.9	10.9	165	42	50	11	133.95	100	6	7	FOR F04 FOR F05
ABW383	1-1/2"	38	48.3	2	77.5	13.9	215	50	70	14	154.9	127	7.5	9	FOR F05 FOR F07
ABW384	2"	50	60.3	2.5	85.2	13.9	215	50	70	14	167.2	134	7.5	9	FOR F05 FOR F07
ABW385	2-1/2"	65	76.1	3	108.7	16.8	370	70	102	17	209	167	10	12	FOR F07 FOR F10
ABW386	3"	80	88.9	3	117.7	17.8	513	70	102	17	231.45	176	10	12	FOR F07 FOR F10
ABW387	4"	100	114.3	3	132.55	17.8	513	70	102	17	276.3	192	10	12	FOR F07 FOR F10

<p>TAIWAN WORLD STEEL 緯凡金屬股份有限公司</p>	RELEASED			3-PIECE FULL PORT BALL VALVES											
	CHECKED			DESCRIPTION	ONNI250502006	0	mm	1:1							
	CREATED	ADAM	2024/05/02	Series S900-17											
							PROJECTION								
									NO.	REV. NO.		REVISION		NAME	DATE