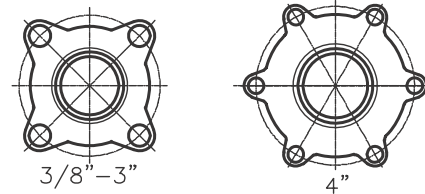
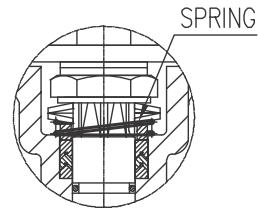
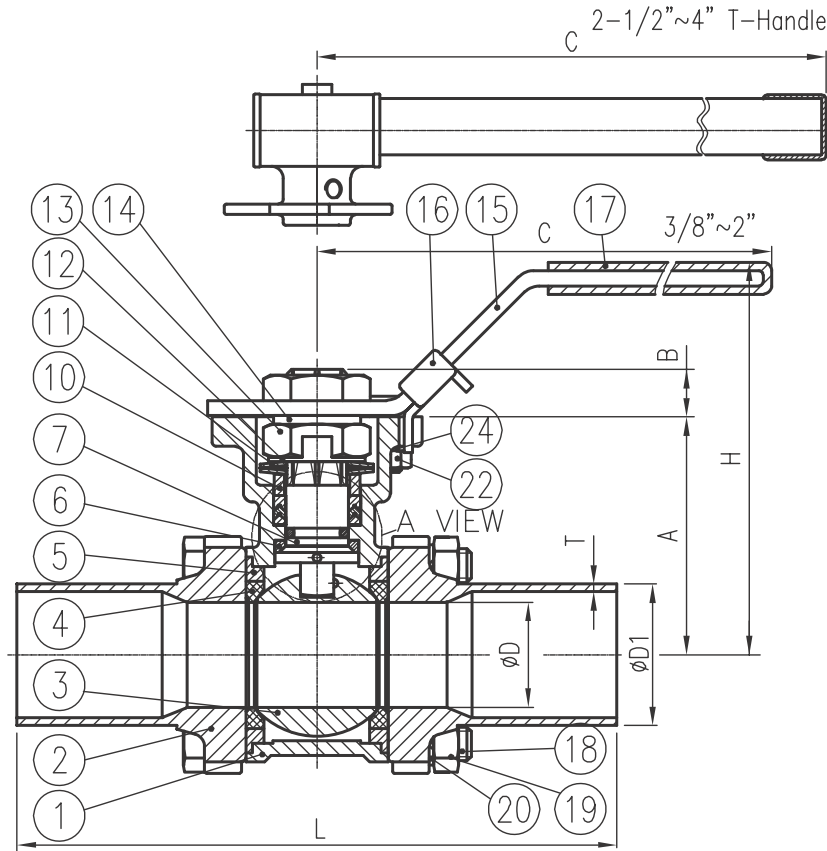


Online 2707H
 DIRECT MOUNT
 3-PIECE FULL PORT BALL VALVES
 3/8"~4" DN10~DN100
 EXTENDED BUTT WELD ENDS 1000/800PSI

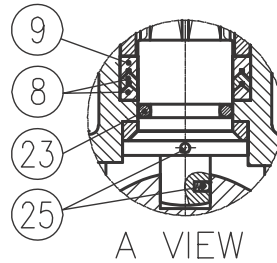


MATERIALS LIST

NO.	PART NAME	QTY	MATERIAL
1	Body	1	CF8M
2	End Cap	2	CF3M
3	Ball	1	SS316/CF8M
4	Seat	2	CTFE
5	Joint Gasket	2	CTFE
6	Thrust Washer	1	CTFE
7	Stem	1	1/2"-3"SS316 4"17-4PH
8	Gland Packing	#	CTFE
9	Gland Packing	1	CTFE
10	Gland Bush	1	SS304
11	Belleve Washer	2	SS301
12	Stop Washer	1	SS304
13	Stem Nut	2	SS304
14	Stem Washer	1	SS304
15	Handle	1	SS304
16	Locking Device	1	SS304
17	Handle Cover	1	VINYL
18	Bolt	*	SS304
19	Bolt Nut	&	SS304
20	Blot Washer	&	SS304
21	Stop Pin	1	SS304
22	Pin Nut	1	SS304
23	O-Ring	1	VITON
24	Washer	1	SS304
25	Anti-static Device	⊕	SS316



PS: 3/8"~1/2" use Spring
 for Anti-static Device



A VIEW

PS: 3/8"~2" 1000 WOG
 2-1/2"~4" 800 WOG

DIMENSION(mm)

TUOTE	SIZE	ϕD	$\phi D1$	T	A	B	C	ϕE	ϕF	G	L	H	$\phi d1$	$\phi d2$	ISO5211
ABW368	3/8"	12.7	17.2	1.6	42.1	6.1	139	36	42	9	120.2	77	6	6	FOR F03 FOR F04
ABW369	1/2"	15	21.3	1.6	42.1	6.1	139	36	42	9	140.2	77	6	6	FOR F03 FOR F04
ABW370	3/4"	20	26.9	1.6	48	6.6	139	36	42	9	140	83	6	6	FOR F03 FOR F04
ABW371	1"	25	33.7	1.8	56.6	10.9	165	42	50	11	152.2	96	6	7	FOR F04 FOR F05
ABW372	1-1/4"	32	42.4	2	60.9	10.9	165	42	50	11	165.1	100	6	7	FOR F04 FOR F05
ABW373	1-1/2"	38	48.3	2	77.5	13.9	215	50	70	14	190.4	127	7.5	9	FOR F05 FOR F07
ABW374	2"	50	60.3	2.5	85.2	13.9	215	50	70	14	203	134	7.5	9	FOR F05 FOR F07
ABW375	2-1/2"	65	76.1	3	108.7	16.8	370	70	102	17	254	167	10	12	FOR F07 FOR F10
ABW376	3"	80	88.9	3	117.7	17.8	513	70	102	17	280.2	176	10	12	FOR F07 FOR F10
ABW377	4"	100	114.3	3	132.55	17.8	513	70	102	17	317	192	10	12	FOR F07 FOR F10

PS: # For 3/8"~2" 2PCS, 2-1/2"~4" 3PCS
 * For 3/8" to 2"-4pcs of bolts(single ended external thread)
 * For 2-1/2" to 3"-4pcs of bolts(double ended external thread)
 * For 4"-6pcs of bolts(double ended external thread)
 & For 3/8" to 2"-4pcs
 & For 2-1/2" to 3"-8pcs
 & For 4"-12pcs
 § For 2-1/2" to 4"-2pcs
 ⊕ For 3/8" to 1/2"-1pcs
 ⊕ For 3/4" to 4"-2pcs

RELEASED	NAME	DATE	DRAWING NAME	DRAWING NO.	VERSION	UNIT	SCALE	NO.	REV. NO.	REVISION	NAME	DATE
CHECKED			3-PIECE FULL PORT BALL VALVES	ONNI250502005	0	mm	1:1					
CREATED	ADAM	2024/01/25	Series S900-70									