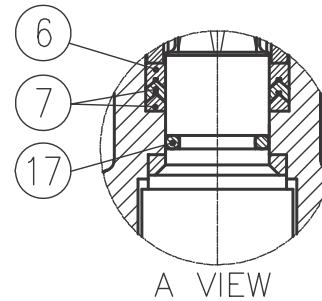
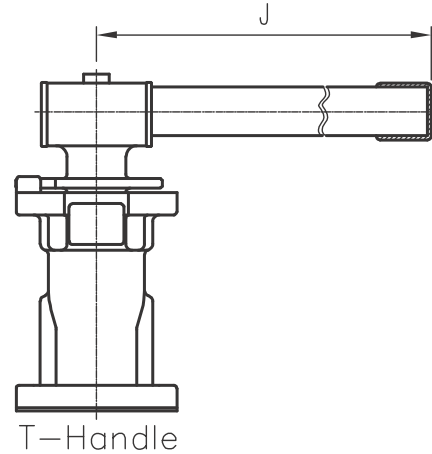


Jatkokara 2707  
(ei sisällä kahvaa)



MATERIALS LIST

NO.	PART NAME	QTY	MATERIAL
1	Body	1	CF8M
2	Stem Nut	2	SS304
3	Stop Washer	1	SS304
4	Belleville Washer	2	SS301
5	Gland Bush	1	SS304
6	Gland Packing	1	25% GLASS FIBER FILLED +PTFE
7	Gland Packing	#	PTFE
8	Thrust Washer	1	RTFE
9	Stem	1	SS316
10	Joint Gasket	1	PTFE
11	Stem Washer	1	SS304
12	Locking Device	1	SS304
13	Handle	1	SS304
14	Handle Cover	1	VINYL
15	Pin Nut	1	SS304
16	Stop Pin	1	SS304
17	O-Ring	1	VITON
18	Bolt	4	SS304
19	Bolt Nut	4	SS304
20	Washer	1	SS304

PS: #FOR 1/4"~2" QTY:2  
#FOR 2-1/2"~4" QTY:3

DIMENSIONS(mm)

TUOTE	SIZE	A	B	ØD1	ØD2	ØE	ØF	G	H	H1	H2	K	J	Handle	ØM	ØN	ISO5211
ACG005	1/4"~3/4"	7/16"-20UNF	9	36	42	42	6.5	9	61.7	9	96	10.2	139	Handle	6	6	FOR F03 F04
ACG006	1"~1-1/4"	9/16"-18UNF	11	42	50	50	7.5	11	68	10.9	107	13.2	165	Handle	6	7	FOR F04 F05 F06
ACG007	1-1/2"~2"	3/4"-16UNF	14	50	70	70	9	14	87	13.9	136	17.2	215	Handle	7.5	9	FOR F05 F07
ACG008	2-1/2"	M24xP3.0	17	70	102	102	12	17	106	16.8	164	20.2	370	T-Handle	10	12	FOR F07 F10
ACG008	3"~4"	M24xP3.0	17	70	102	102	12	17	106	16.8	164	20.2	513	T-Handle	10	12	FOR F07 F10

<p>緯凡金屬股份有限公司</p>	RELEASED	NAME	DATE	DRAWING NAME	DRAWING NO.	VERSION	UNIT	SCALE									
	CHECKED			TSM For Series S600	ONNI250502012	0	mm	1:1									
	CREATED	ADAM	2025/05/02	Series S900 TSM			PROJECTION										
							NO.	REV. NO.					REVISION			NAME	DATE