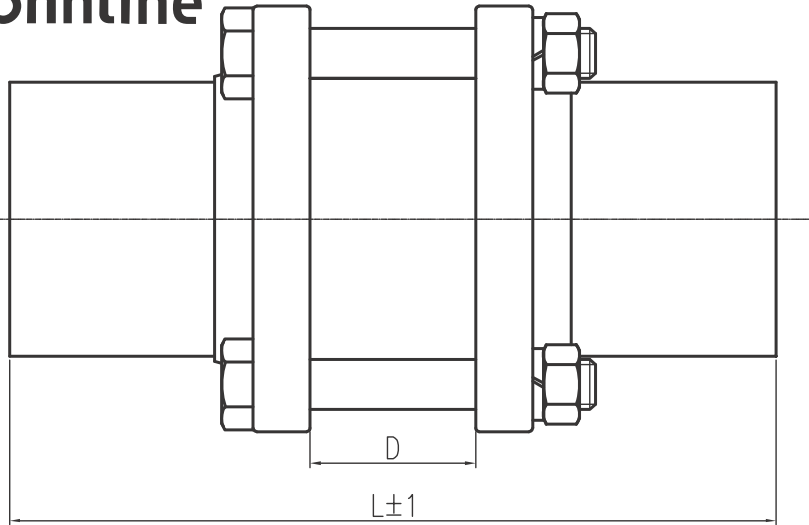


onnlne®

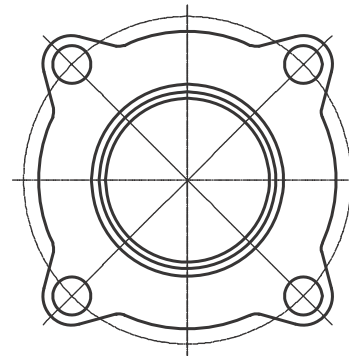


Onnlne 2200H

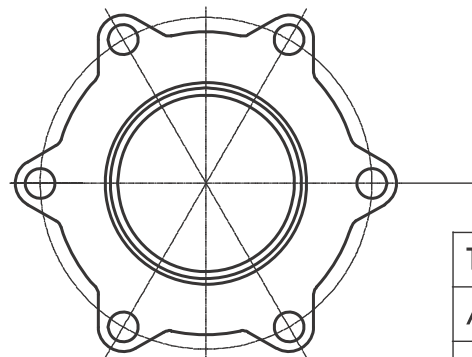
3 PCS CHECK VALVE
 2-1/2"(DN65)to4"(DN100)
 PRESSURE RATING 2-1/2"~4" 800 psi
 CHECK LENGTH:DIN 3202 K4
 For safety reason,Suggest to liquid material installation only.

MATERIALS LIST

NO.	PART NAME	QTY	MATERIAL
1	BODY	1	CF8M
2	END CAP	2	CF3M
3	DISC	1	SS316
4	SPRING	1	SS316
5	SCREW	4	SS316
6	CAP	1	SS316
7	BOLT	*	SS304
8	BOLT WASHER	*	SS304
9	BOLT NUT	*	SS304
10	JOINT GASKET	2	CTFE

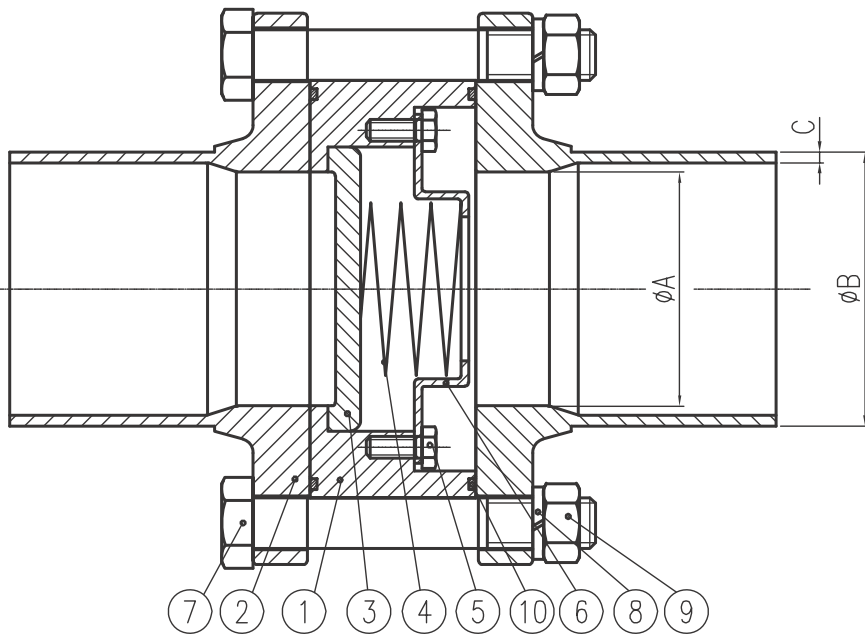


2-1/2", 3"



4"

PS: * 2-1/2" 3" 4PCS
 * 4" 6PCS



DIMENSION(mm)

TUOTE	SIZE	ØA	ØB	C	D	L
ABY620	2-1/2"	65	76.1	3	46	213
ABY621	3"	80	88.9	3	50	231.2
ABY622	4"	100	114.3	3	60	250

<p>緯凡金屬股份有限公司</p>	RELEASED			DRAWING NAME	DRAWING NO.	VERSION	UNIT	SCALE					
	CHECKED			DESCRIPTION	ONNI241028002	0	mm	1:1					
	CREATED	ADAM	2024/10/28	Series T701-70			PROJECTION						
							NO.	REV. NO.		REVISION		NAME	DATE