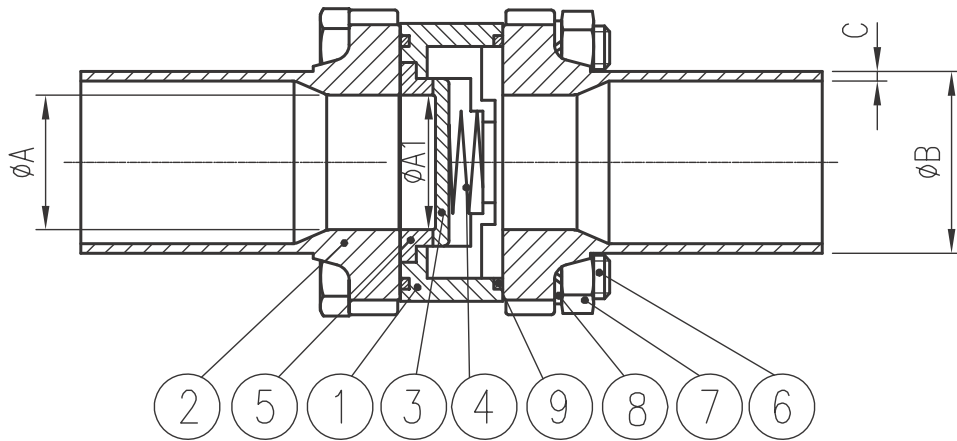
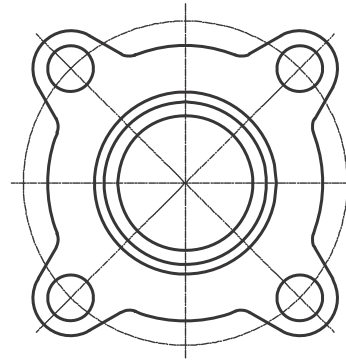
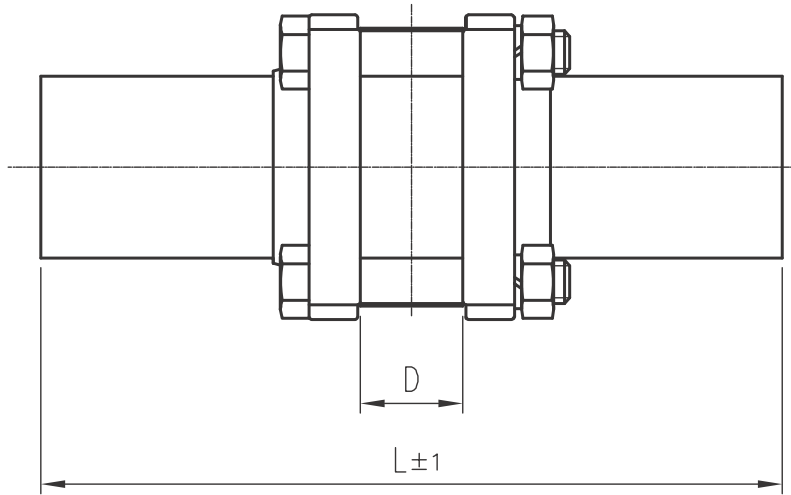


Online 2200H

3 PCS CHECK VALVE
 For safety reason, Suggest to liquid material installation only.
 3 PCS CHECK VALVE
 1/4"(DN8) to 2"(DN50)
 PRESSURE RATING 1/4"~2" 1000 psi
 CHECK LENGTH: DIN 3202 K4


MATERIALS LIST

NO.	PART NAME	QTY	MATERIAL
1	BODY	1	CF8M
2	END CAP	2	CF3M
3	DISC	1	SS316
4	SPRING	1	SS316
5	INSERT	1	CF8M
6	BOLT	4	SS304
7	BOLT NUT	4	SS304
8	BOLT WASHER	4	SS304
9	JOINT GASKET	2	CTFE



DIMENSION(mm)

TUOTE	SIZE	φA	φA1	φB	C	D	L
-	1/4"	10	15	13.7	1.6	16	112.6
-	3/8"	12.7	15	17.2	1.6	16	112.6
ABY614	1/2"	15	15	21.3	1.6	16	132.6
ABY615	3/4"	20	20	26.9	1.6	19	131
ABY616	1"	25	25	33.7	1.8	22	140.3
ABY617	1-1/4"	32	32	42.4	2	28	150.6
ABY618	1-1/2"	38	38	48.3	2	31.5	168.7
ABY619	2"	50	50	60.3	2.5	40	178.4

 緯凡金屬股份有限公司	RELEASED	NAME	DATE	DRAWING NAME	DRAWING NO.	VERSION	UNIT	SCALE				
	CHECKED			3 PCS CHECK VALVE	ONNI241028001	0	mm	1:1				
	CREATED	ADAM	2024/10/28	DESCRIPTION			PROJECTION					
				Series T701-70				NO.	REV. NO.	REVISION	NAME	DATE