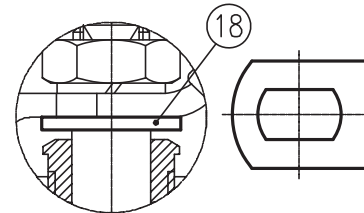
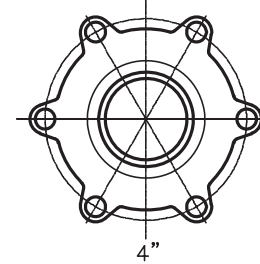
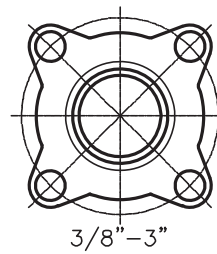
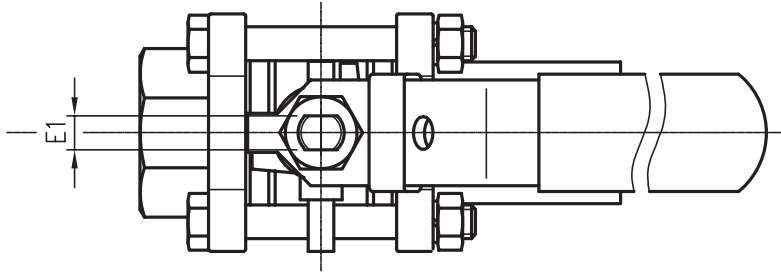
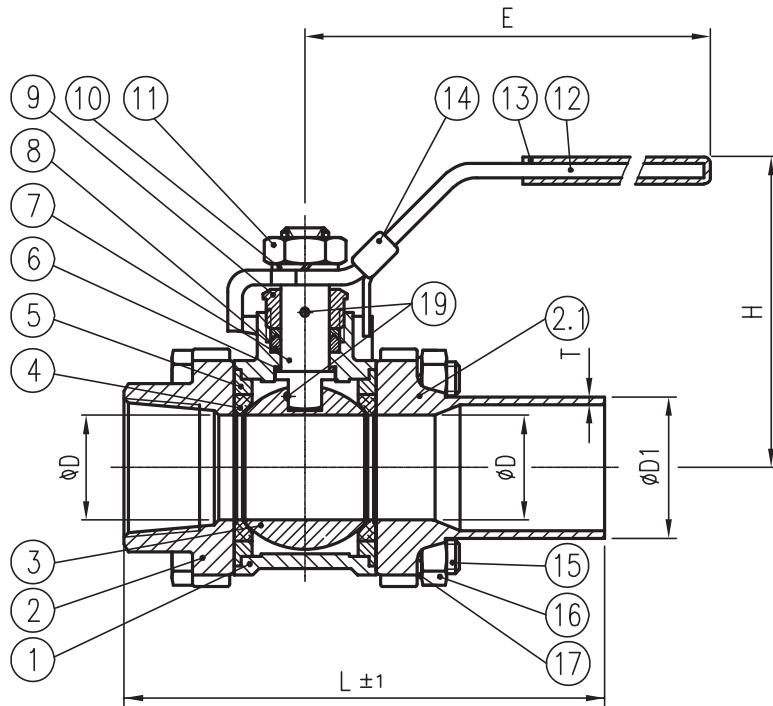
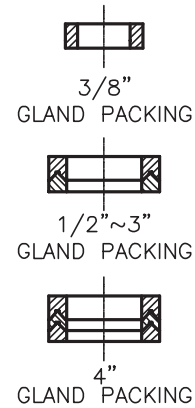


Onnlne 2500K/H

3-PIECE FULL PORT BALL VALVES
 3/8"~4" DN10~DN100
 THREADED ENDS & EXTENDED BUTT WELD ENDS 1000/800PSI
 with Anti-static Device



PS: For 4" USE



PS: 3/8"~2" 1000 WOG
 2-1/2"~4" 800 WOG

MATERIALS LIST

NO.	PART NAME	QTY	MATERIAL
1	Body	1	CF8M
2	THREADED ENDS	1	CF8M
2.1	BUTT WELD End	1	CF3M
3	Ball	1	SS316/CF8M
4	Seat	2	CTFE
5	Joint Gasket	2	CTFE
6	Thrust Washer	1	CTFE
7	Stem	1	1/4"-3"SS316 4"-17"4PH
8	Gland Packing	1Set	CTFE
9	Gland Bush	1	SS304
10	Stem Washer	1	SS304
11	Stem Nut	1	SS304
12	Handle	1	SS304
13	Handle Cover	1	VINYL
14	Locking Device	1	SS304
15	Bolt	*	SS304
16	Bolt Nut	&	SS304
17	Blot Washer	&	SS304
18	Handle Washer	@	SS304
19	Anti-static Device	2	SS316

PS: * For 3/8" to 2"-4pcs of bolts(single ended external thread)
 * For 2-1/2" to 3"-4pcs of bolts(double ended external thread)
 * For 4"-6pcs of bolts(double ended external thread)
 & For 3/8" to 2"-4pcs
 & For 2-1/2" to 3"-8pcs
 & For 4"-12pcs
 @ For 4"-1pc

DIMENSIONS(mm)

TUOTE	SIZE	ØD	ØD1	L	H	E	E1	T
ABW348	3/8"	12.7	17.2	88.3	54	102	5	1.6
ABW349	1/2"	15	21.3	102.95	64	132	6.5	1.6
ABW350	3/4"	20	26.9	108.1	67	132	6.5	1.6
ABW351	1"	25	33.7	119.2	75	167	8	1.8
ABW352	1-1/4"	32	42.4	133.95	80	167	8	2
ABW353	1-1/2"	38	48.3	154.9	90	192	9.7	2
ABW354	2"	50	60.3	167.2	98	192	9.7	2.5
ABW355	2-1/2"	65	76.1	209	151	352	12	3
ABW356	3"	80	88.9	231.45	161	352	12	3
ABW357	4"	100	114.3	276.3	187	452	15	3

NAME	DATE	DRAWING NAME	DRAWING NO.	VERSION	UNIT	SCALE							
RELEASED		3-PIECE FULL PORT BALL VALVES	ONNI250502002	0	mm	1:1							
CHECKED		DESCRIPTION			PROJECTION								
CREATED	ADAM	2025/05/02			Series S501-17	NO.	REV. NO.	REVISION	NAME	DATE			